



US00D912444S

(12) **United States Design Patent**  
**Peng**

(10) **Patent No.:** **US D912,444 S**

(45) **Date of Patent:** **\*\* Mar. 9, 2021**

- (54) **HALL TREE**
- (71) Applicant: **EASEPAL ENTERPRISES, LIMITED**, Hong Kong (CN)
- (72) Inventor: **Leo Peng**, Xiamen (CN)
- (73) Assignee: **EASEPAL ENTERPRISES, LIMITED**, Hong Kong (CN)

- 6,401,948 B1 \* 6/2002 Huang ..... A47F 5/137  
211/206
  - 6,644,484 B1 \* 11/2003 Sardis ..... A47B 43/00  
211/189
  - D491,742 S \* 6/2004 Harwanko ..... D6/681.1
  - D498,962 S \* 11/2004 Moon ..... D6/552
- (Continued)

(\*\*) Term: **15 Years**

(21) Appl. No.: **29/731,260**

(22) Filed: **Apr. 14, 2020**

(51) **LOC (13) Cl.** ..... **20-02**

(52) **U.S. Cl.**  
USPC ..... **D6/672**

(58) **Field of Classification Search**  
USPC ..... D6/672, 675, 675.1-675.5, 681, 681.1,  
D6/681.2, 681.3  
CPC .. A47F 1/00; A47F 3/00; A47F 3/0439; A47F  
3/06; A47F 5/0018; A47F 5/0081; A47B  
96/00; A47B 96/02; A47B 47/00; A47B  
47/021

See application file for complete search history.

(56) **References Cited**

**U.S. PATENT DOCUMENTS**

- 3,565,020 A \* 2/1971 Schier ..... A47B 96/028  
108/152
- D237,231 S \* 10/1975 Wells et al. .... D6/672
- D247,592 S \* 3/1978 Eisen ..... D6/673
- D248,915 S \* 8/1978 Brandenfels ..... D6/672
- D311,099 S \* 10/1990 Yau Kee ..... D6/300
- D319,156 S \* 8/1991 Cugley ..... D6/675.4
- D382,513 S \* 8/1997 Bozzone ..... D11/131
- 5,685,440 A \* 11/1997 Mason ..... A47F 5/13  
211/189
- D391,421 S \* 3/1998 Steelman ..... D6/675.1
- D415,365 S \* 10/1999 Nicklas ..... D6/684
- D436,263 S \* 1/2001 Alcalá ..... D6/336
- D451,304 S \* 12/2001 Felsenthal ..... D6/678.4

**OTHER PUBLICATIONS**

HomeKoko Hall Tree, amazon.cohttps://www.amazon.com/HOMEKOKO-Entryway-Storage-Accent-Furniture/dp/B07RBPWCMJ/ref=sr\_1\_2?dchild=1&keywords=homekoko&qid=1607974855&sr=8-2&th=1 (Year: 2020).\*

(Continued)

*Primary Examiner* — Steven J Czyz

(74) *Attorney, Agent, or Firm* — Bayramoglu Law Offices LLC

(57) **CLAIM**

The ornamental design for a hall tree, as shown and described.

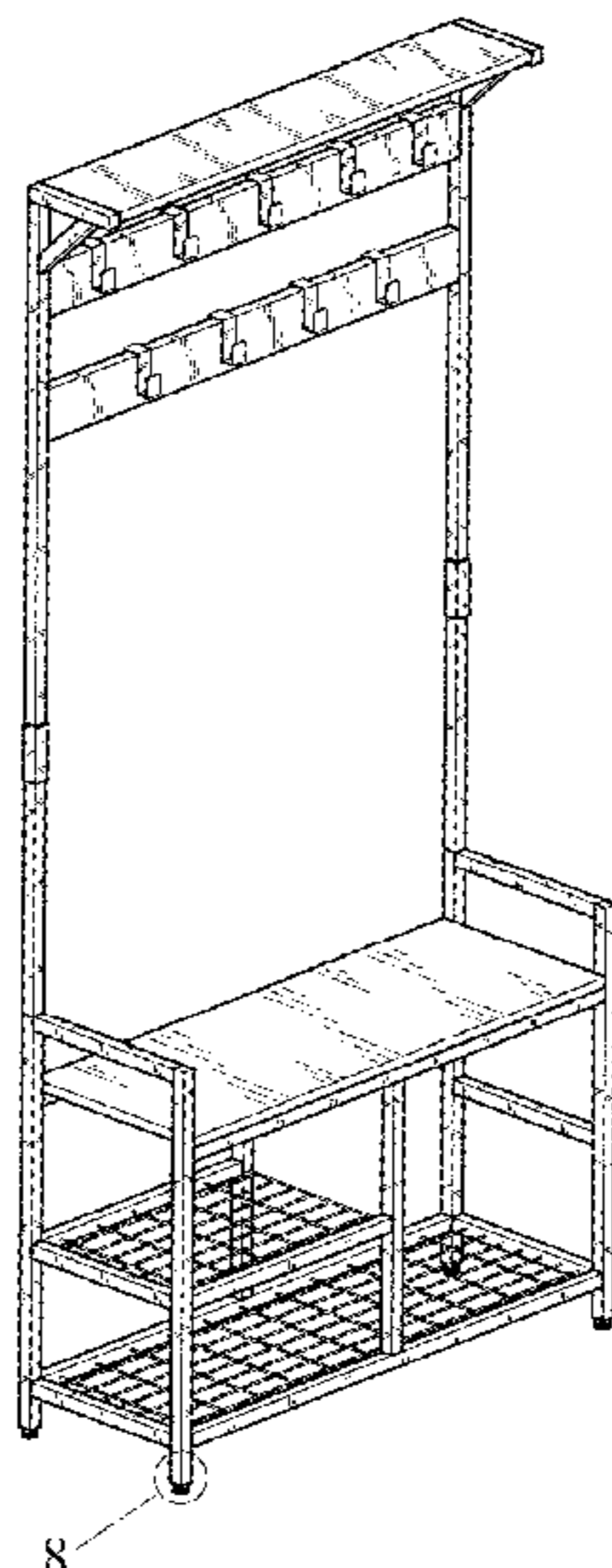
**DESCRIPTION**

FIG. 1 is a front perspective view of a hall tree showing my new design;  
FIG. 2 is a front elevational view thereof;  
FIG. 3 is a rear elevational view thereof;  
FIG. 4 is a right side elevational view thereof;  
FIG. 5 is a top plan view thereof;  
FIG. 6 is a bottom plan view thereof;  
FIG. 7 is a rear perspective view thereof; and,  
FIG. 8 is a partial enlarged view of the indicated area “8” in FIG. 1.

A left side elevational view thereof is omitted since the left side elevational view thereof is a mirror image of the right side elevational view thereof.

The broken lines indicating an enlargement portion of the design form no part of the claimed design.

**1 Claim, 8 Drawing Sheets**



(56)

References Cited

U.S. PATENT DOCUMENTS

D512,585 S \* 12/2005 Rozenboom ..... D6/675.1  
 D546,013 S \* 7/2007 Pong ..... D32/58  
 D582,188 S \* 12/2008 Martin ..... D6/552  
 D591,533 S \* 5/2009 Karsson ..... D6/675.3  
 D613,965 S \* 4/2010 Tertel ..... D6/675.5  
 D617,576 S \* 6/2010 Lin ..... D6/681.1  
 D624,200 S \* 9/2010 Kieffer ..... D25/65  
 7,946,434 B1 \* 5/2011 Greenspon ..... A47G 25/0685  
 211/85.3  
 D643,232 S \* 8/2011 Wagner ..... D6/675.3  
 D660,614 S \* 5/2012 Palmeiri ..... D6/681  
 D716,080 S \* 10/2014 Bell ..... D6/675.1  
 8,936,166 B2 \* 1/2015 Hornsby ..... A47F 5/10  
 211/85.3  
 D736,548 S \* 8/2015 Hornsby ..... D6/681.1  
 D749,879 S \* 2/2016 Wall ..... D6/680.3  
 D750,401 S \* 3/2016 Ruiz ..... D6/681  
 D753,940 S \* 4/2016 Ruiz ..... D6/681  
 D760,516 S \* 7/2016 Yu ..... D6/680.2  
 9,648,949 B1 \* 5/2017 Penaflo ..... A47B 81/00  
 D790,892 S \* 7/2017 Chung ..... D6/681  
 D805,329 S \* 12/2017 Rockwell ..... D6/675.3  
 D808,200 S \* 1/2018 Davis ..... D6/675.1  
 D808,203 S \* 1/2018 Davis ..... D6/675.3  
 D809,835 S \* 2/2018 Greenspon ..... D6/681  
 D817,039 S \* 5/2018 Adolph ..... D6/657

D819,374 S \* 6/2018 Kuehn ..... D6/681.2  
 D829,473 S \* 10/2018 Mical ..... D6/681  
 D853,762 S \* 7/2019 Tucker ..... D6/672  
 D860,689 S \* 9/2019 Davis ..... D6/672  
 D864,625 S \* 10/2019 Rockwell ..... D6/675  
 D864,627 S \* 10/2019 Rockwell ..... D6/675  
 D871,116 S \* 12/2019 Li ..... D6/675.1  
 D874,191 S \* 2/2020 Qi ..... D6/664  
 D883,719 S \* 5/2020 Li ..... D6/675.1  
 D885,806 S \* 6/2020 Rockwell ..... D6/675  
 D898,492 S \* 10/2020 Edgerton ..... D6/684  
 D903,384 S \* 12/2020 Davis ..... D6/675.1  
 2007/0163974 A1 \* 7/2007 Lai ..... A47G 25/0664  
 211/85.3  
 2007/0272642 A1 \* 11/2007 Baptiste ..... A47B 43/00  
 211/201  
 2008/0029473 A1 \* 2/2008 Hu ..... A47G 25/0664  
 211/206  
 2015/0008201 A1 \* 1/2015 Qiang ..... D06F 57/06  
 211/85.3

OTHER PUBLICATIONS

Tangkula Coat Rack Shoe Bench, amazon.com, [https://www.amazon.com/Tangkula-Industrial-Entryway-Adjustable-Apartment/dp/B08HTYWSHK/ref=psdc\\_3744441\\_t2\\_B07RBPWCMJ](https://www.amazon.com/Tangkula-Industrial-Entryway-Adjustable-Apartment/dp/B08HTYWSHK/ref=psdc_3744441_t2_B07RBPWCMJ) (Year: 2020).\*

\* cited by examiner

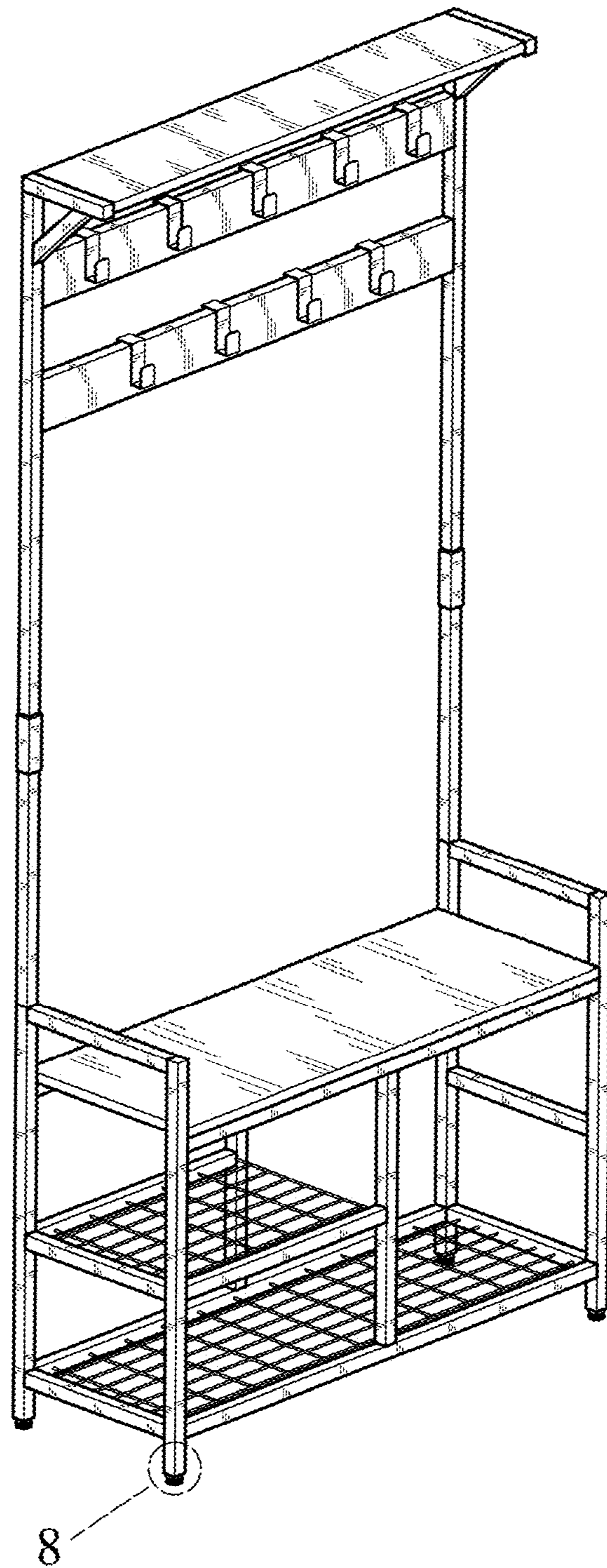


Fig. 1

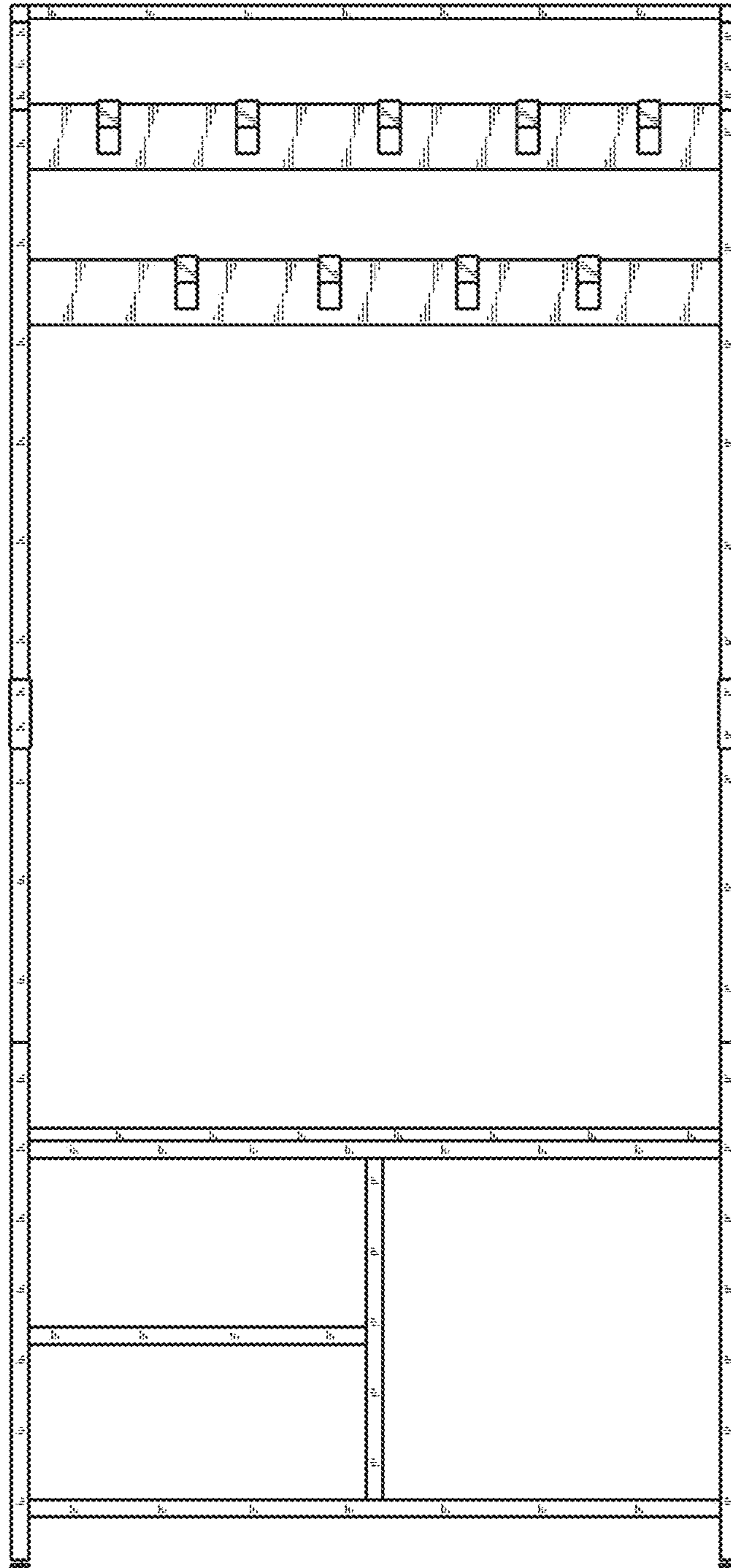


Fig. 2

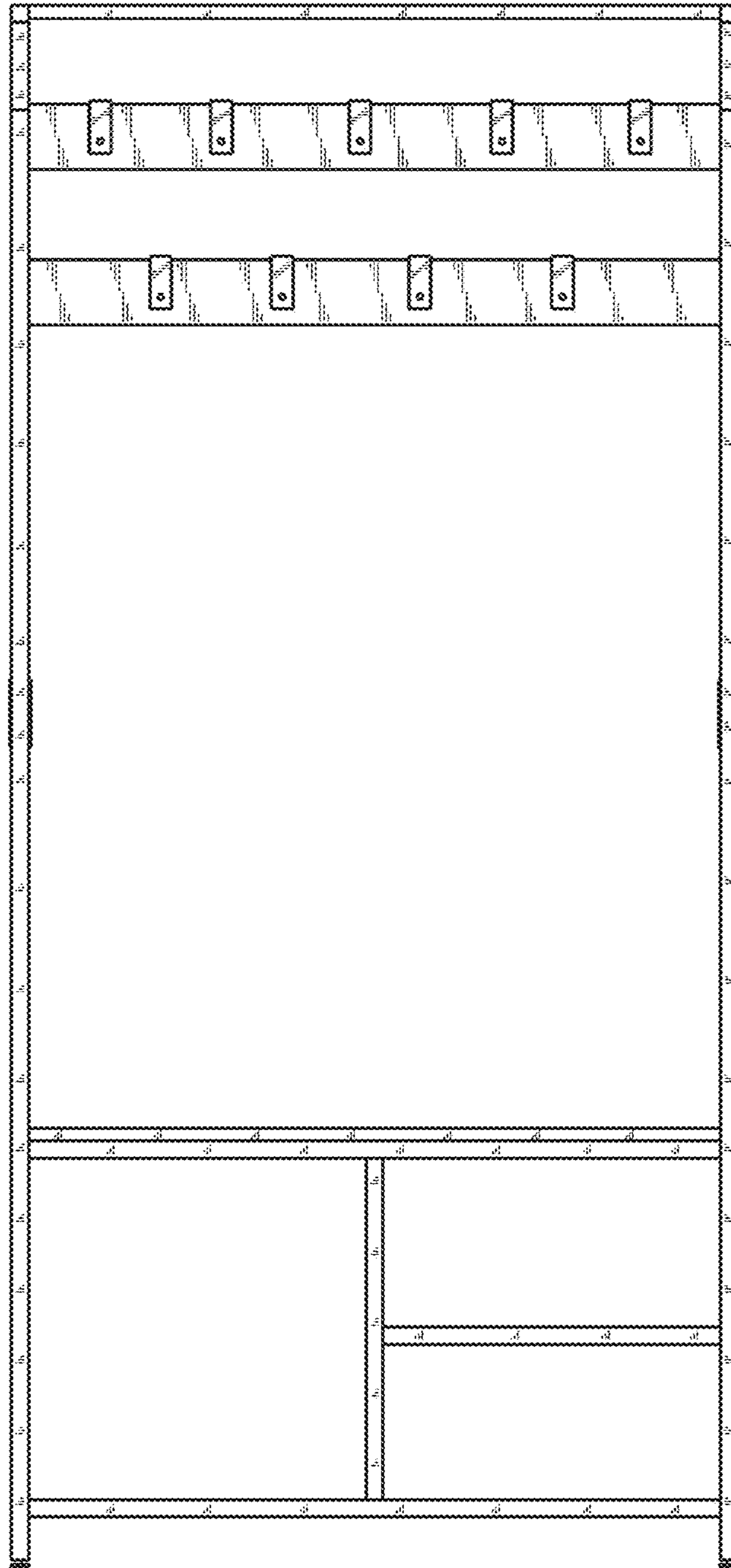


Fig. 3

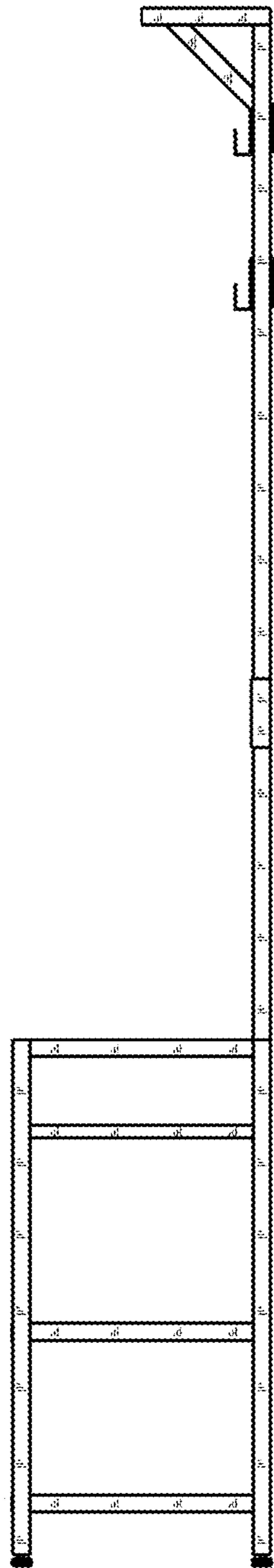


Fig. 4

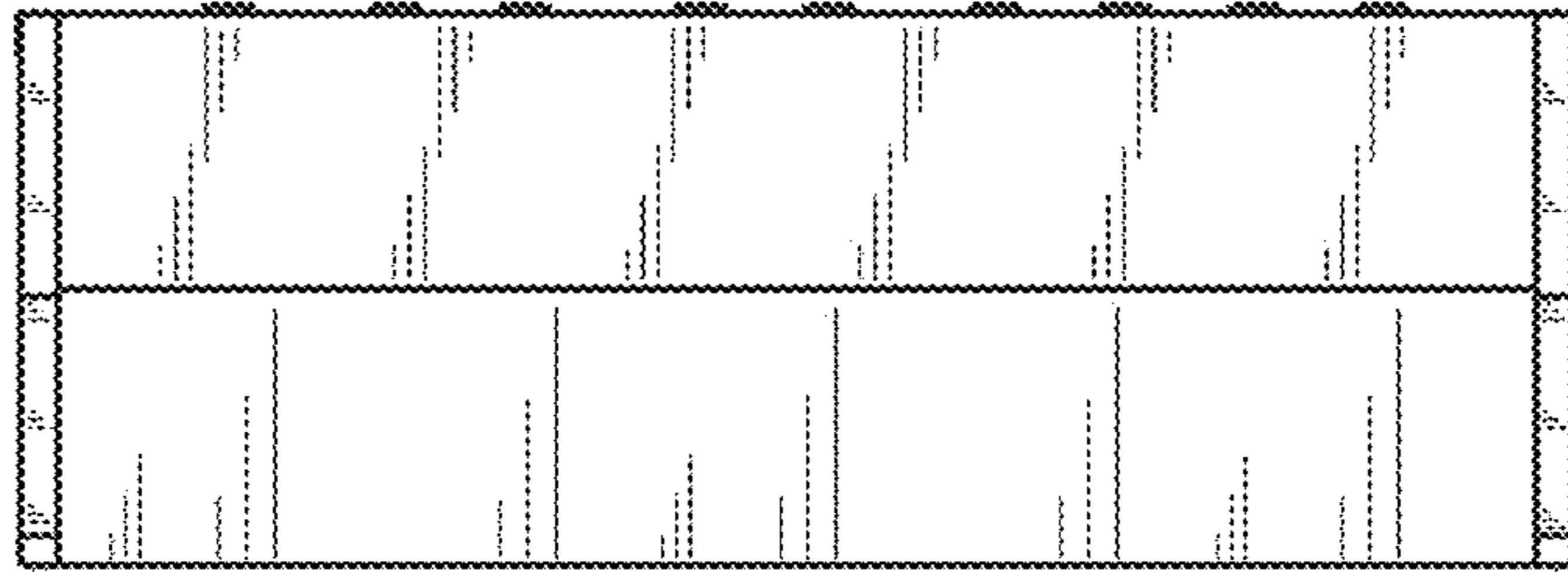


Fig. 5

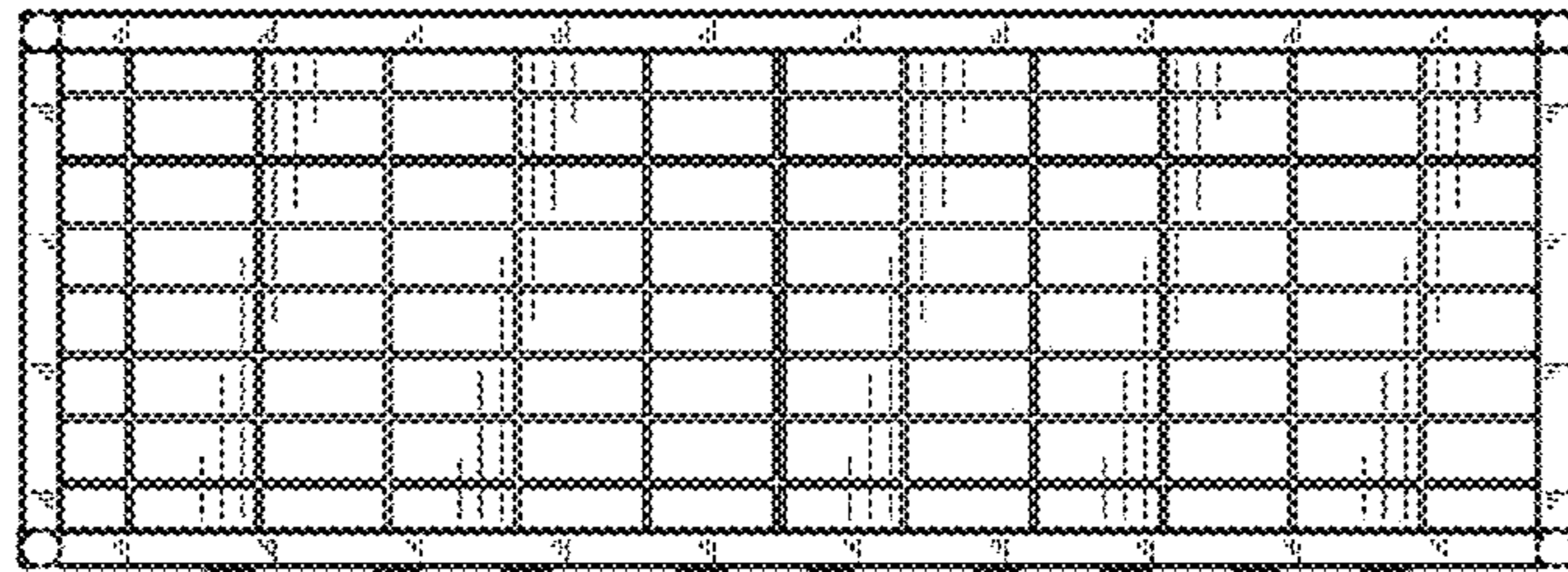


Fig. 6



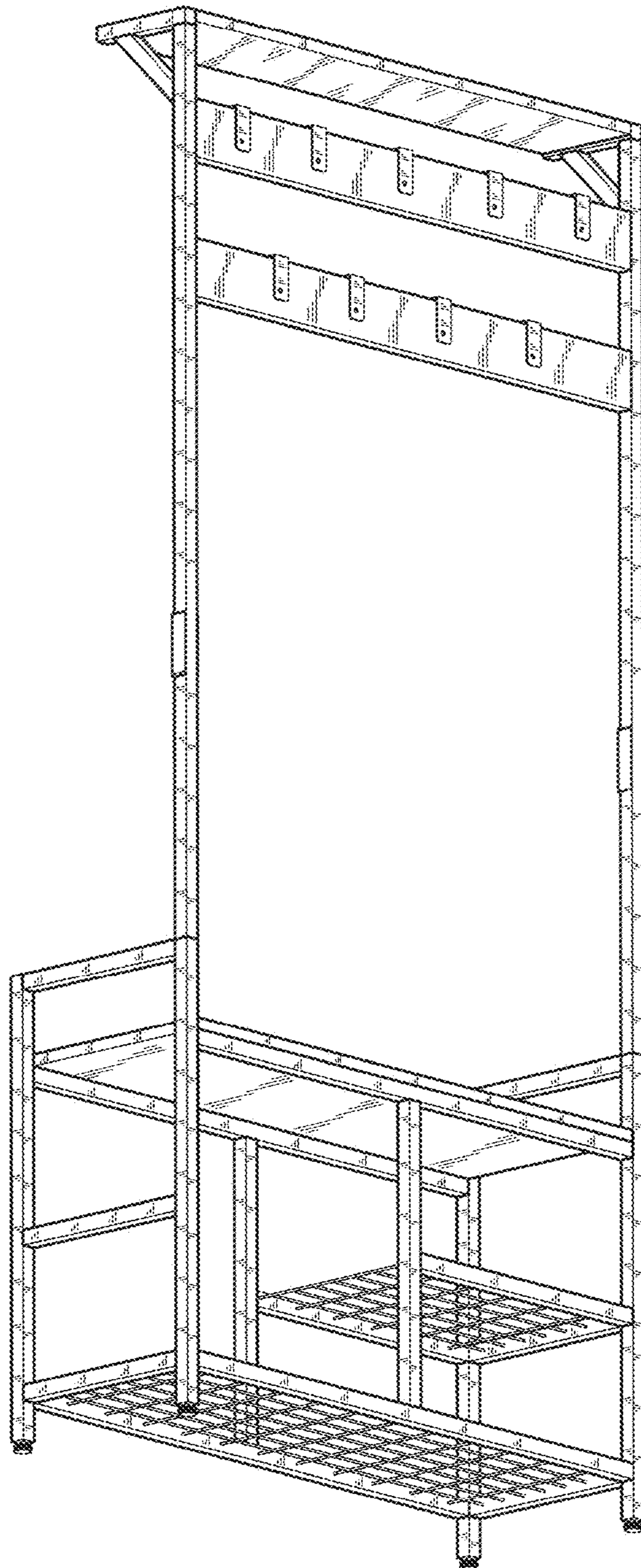


Fig. 7

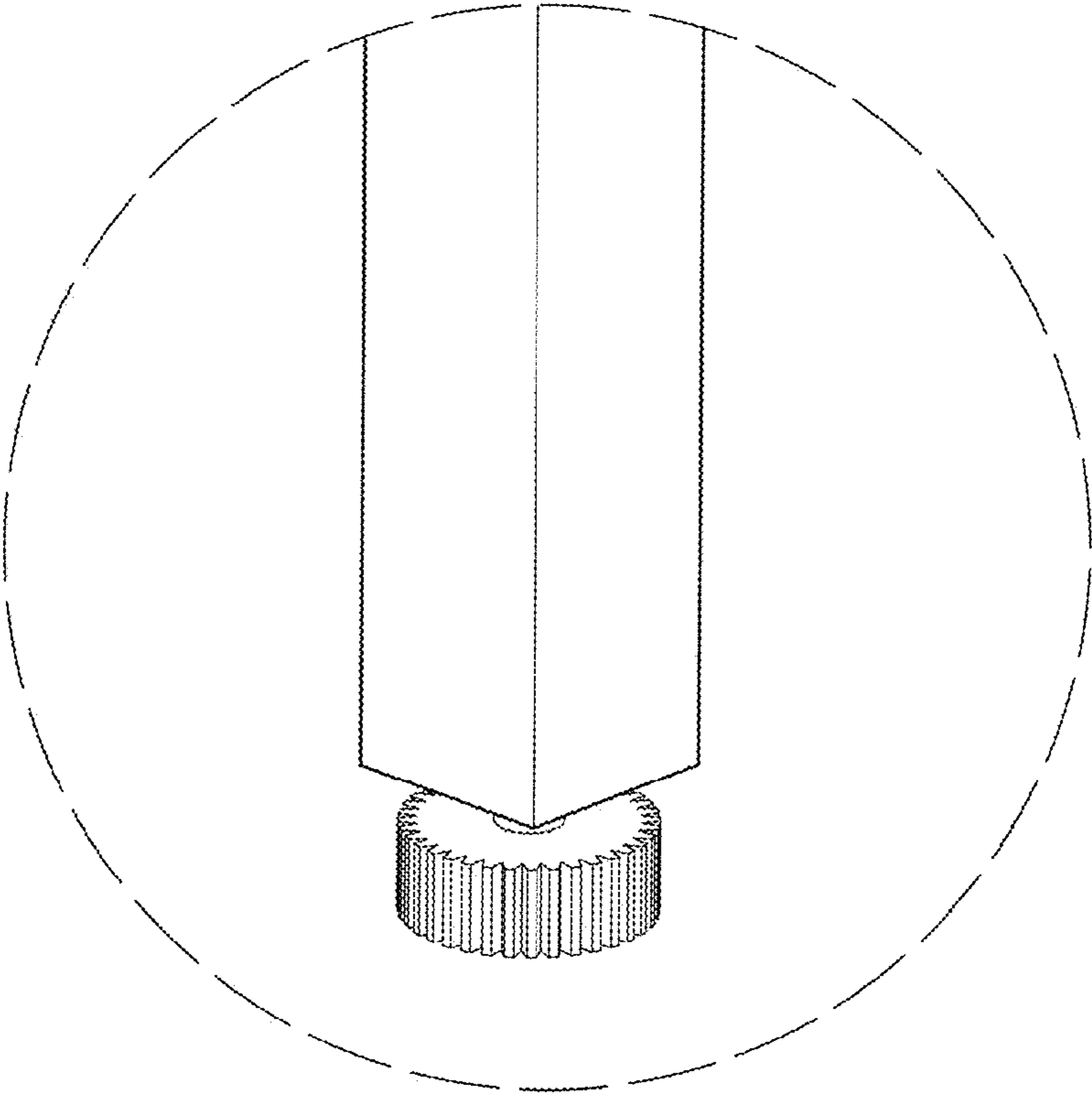


Fig. 8