



US00D912443S

(12) **United States Design Patent** (10) **Patent No.:** **US D912,443 S**
Li (45) **Date of Patent:** **** Mar. 9, 2021**

(54) **CABINET**

(71) Applicant: **39F USA INC**, Rancho Cucamonga, CA (US)

(72) Inventor: **Yuehai Li**, Rancho Cucamonga, CA (US)

(**) Term: **15 Years**

(21) Appl. No.: **29/694,421**

(22) Filed: **Jun. 11, 2019**

(51) **LOC (13) Cl.** **06-04**

(52) **U.S. Cl.**
USPC **D6/671.1**

(58) **Field of Classification Search**
USPC D6/657, 661, 662, 663, 664.1, 667, 668, D6/669, 671, 671.2, 672, 673, 710
CPC A47B 55/00; A47B 57/00; A47B 61/00; A47B 67/00; A47B 67/005; A47B 67/02; A47B 67/04
See application file for complete search history.

(56) **References Cited**

U.S. PATENT DOCUMENTS

D182,839 S * 5/1958 Lubberts et al. D6/657
D223,373 S * 4/1972 Elvestad D6/667
6,789,859 B1 * 9/2004 Ho A47B 47/02
312/257.1
9,468,305 B2 * 10/2016 Flora A47C 17/58

D884,395 S * 5/2020 Flora D6/663
10,674,816 B1 * 6/2020 Shih A47B 96/068
2010/0237756 A1 * 9/2010 Weinstein A47B 67/00
312/228.1

FOREIGN PATENT DOCUMENTS

FR 1527813 A * 6/1968 A47B 67/02
JP 2014166230 A * 9/2014
WO WO-2013058346 A1 * 4/2013 A47B 61/00

* cited by examiner

Primary Examiner — R. Johnson

(74) *Attorney, Agent, or Firm* — Feng Qian

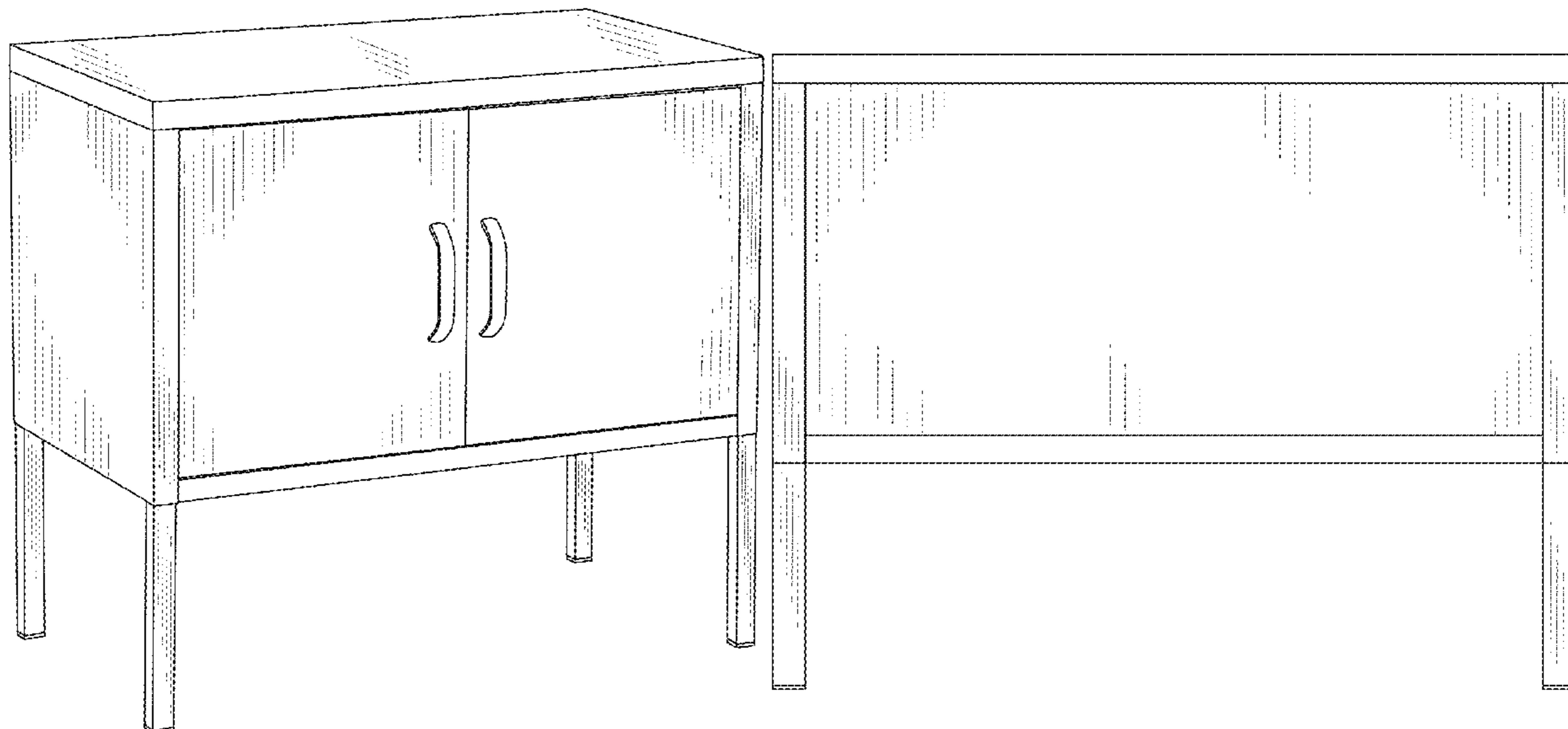
(57) **CLAIM**

The ornamental design for a cabinet, as shown and described.

DESCRIPTION

FIG. 1 is a front perspective view of a cabinet showing my new design;
FIG. 2 is another front perspective view thereof one of the cabinet doors shown opened;
FIG. 3 is a front elevation view thereof;
FIG. 4 is a rear elevation view thereof;
FIG. 5 is a left-side elevation view thereof;
FIG. 6 is a right-side elevation view thereof;
FIG. 7 is a top plan view thereof; and,
FIG. 8 is a bottom plan view thereof.
The broken lines shown in the drawings are for the purpose of illustrating portions of the article, and form no part of the claimed design.

1 Claim, 8 Drawing Sheets



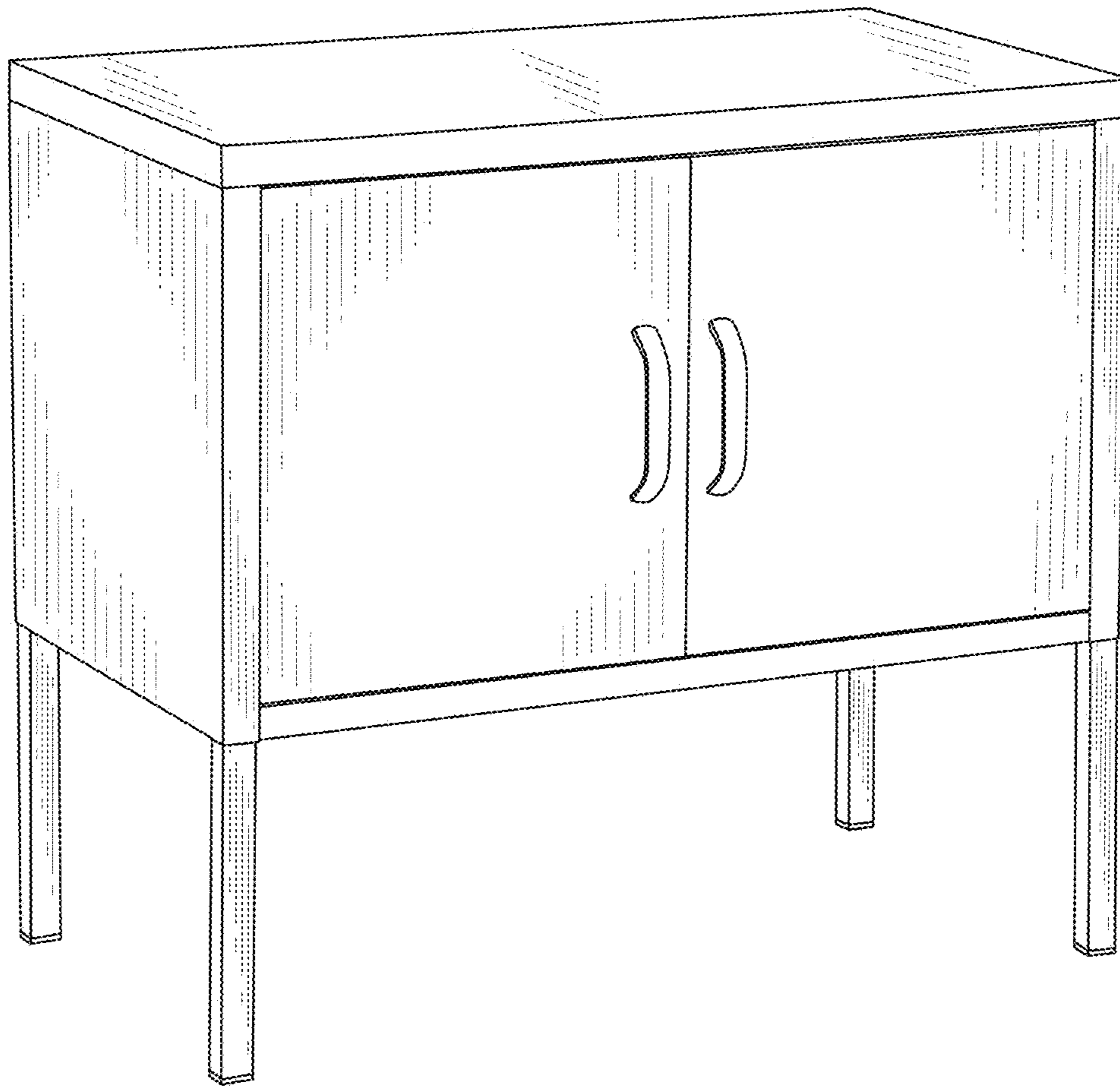


Fig. 1

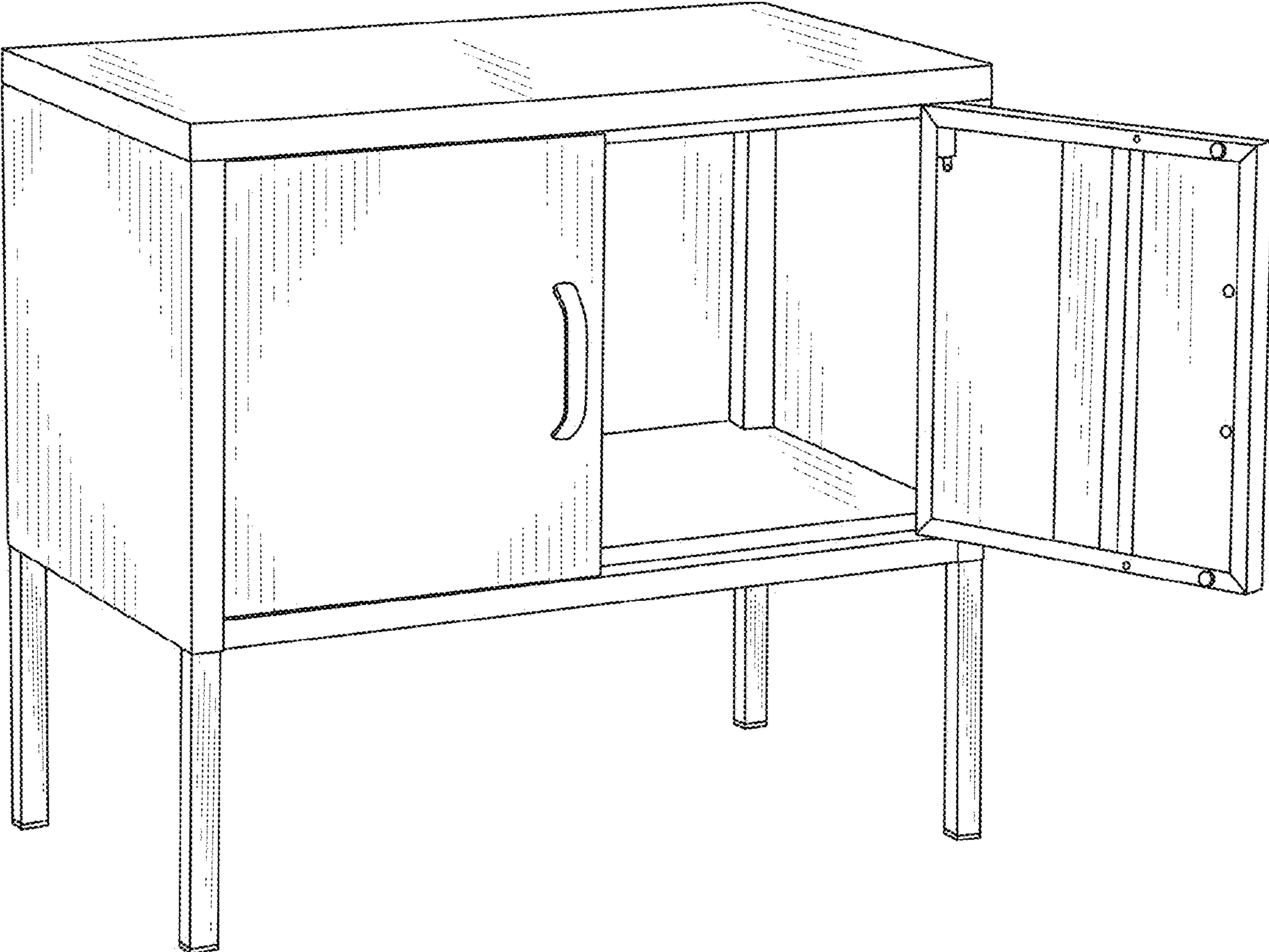


Fig. 2

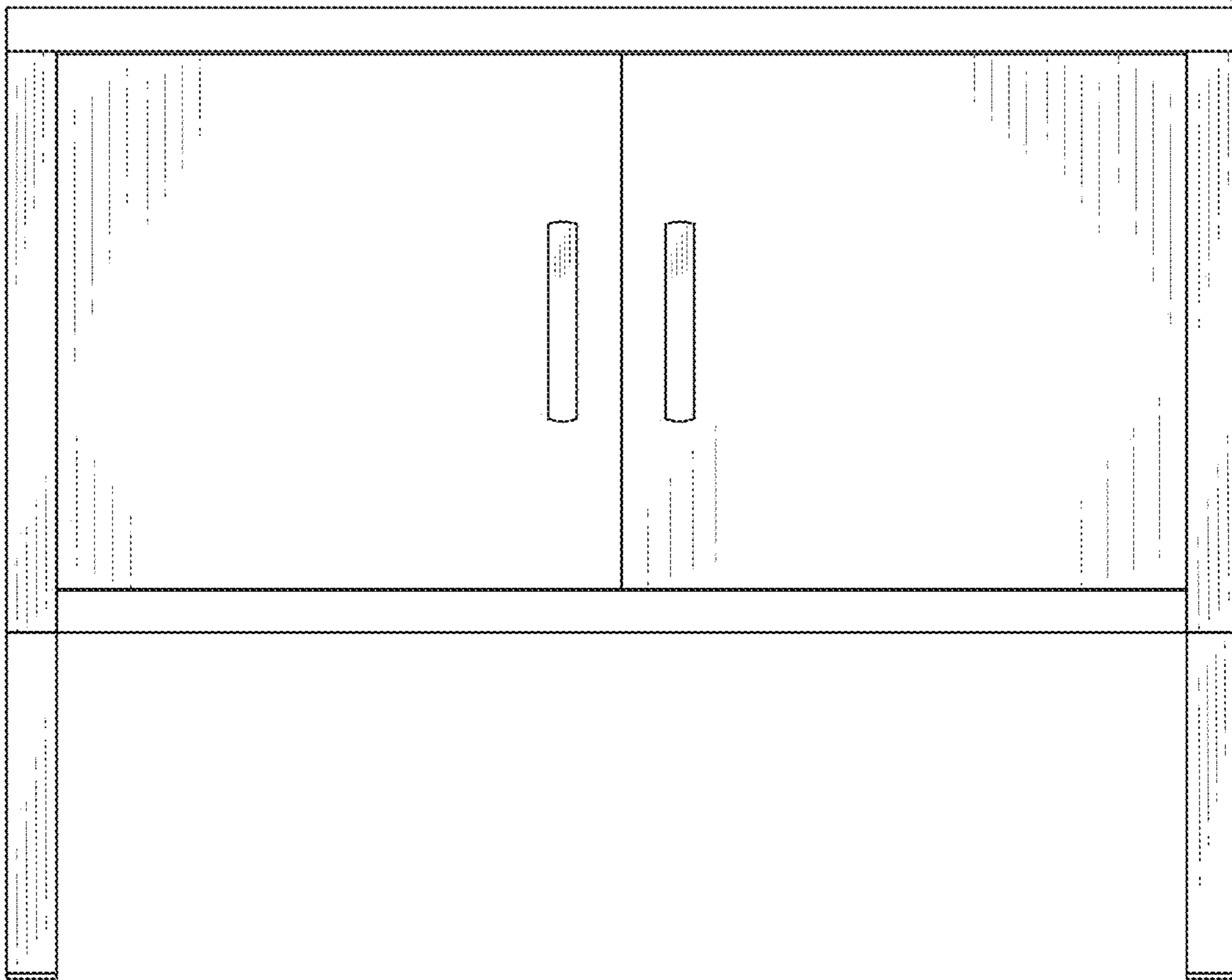


Fig. 3

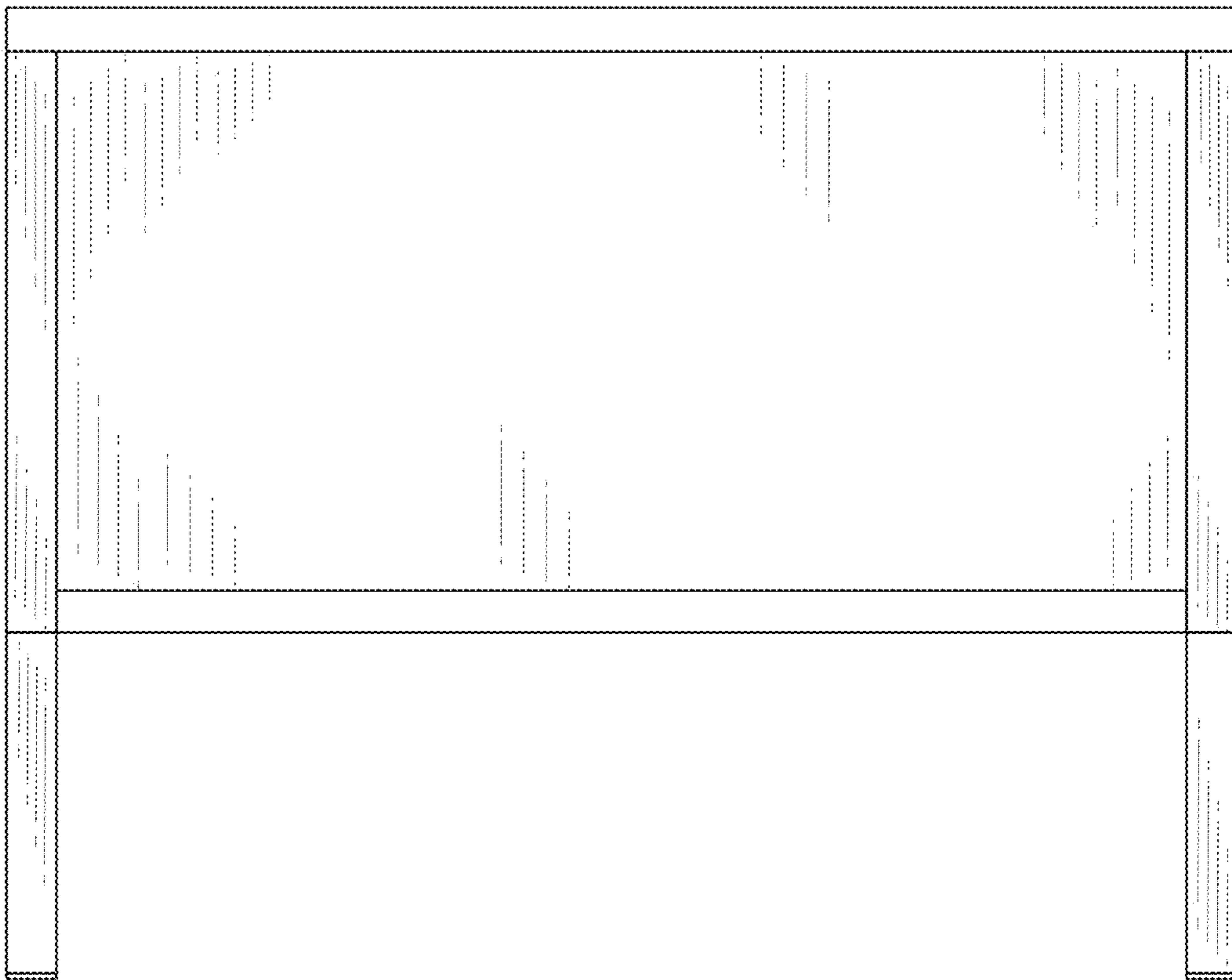


Fig. 4

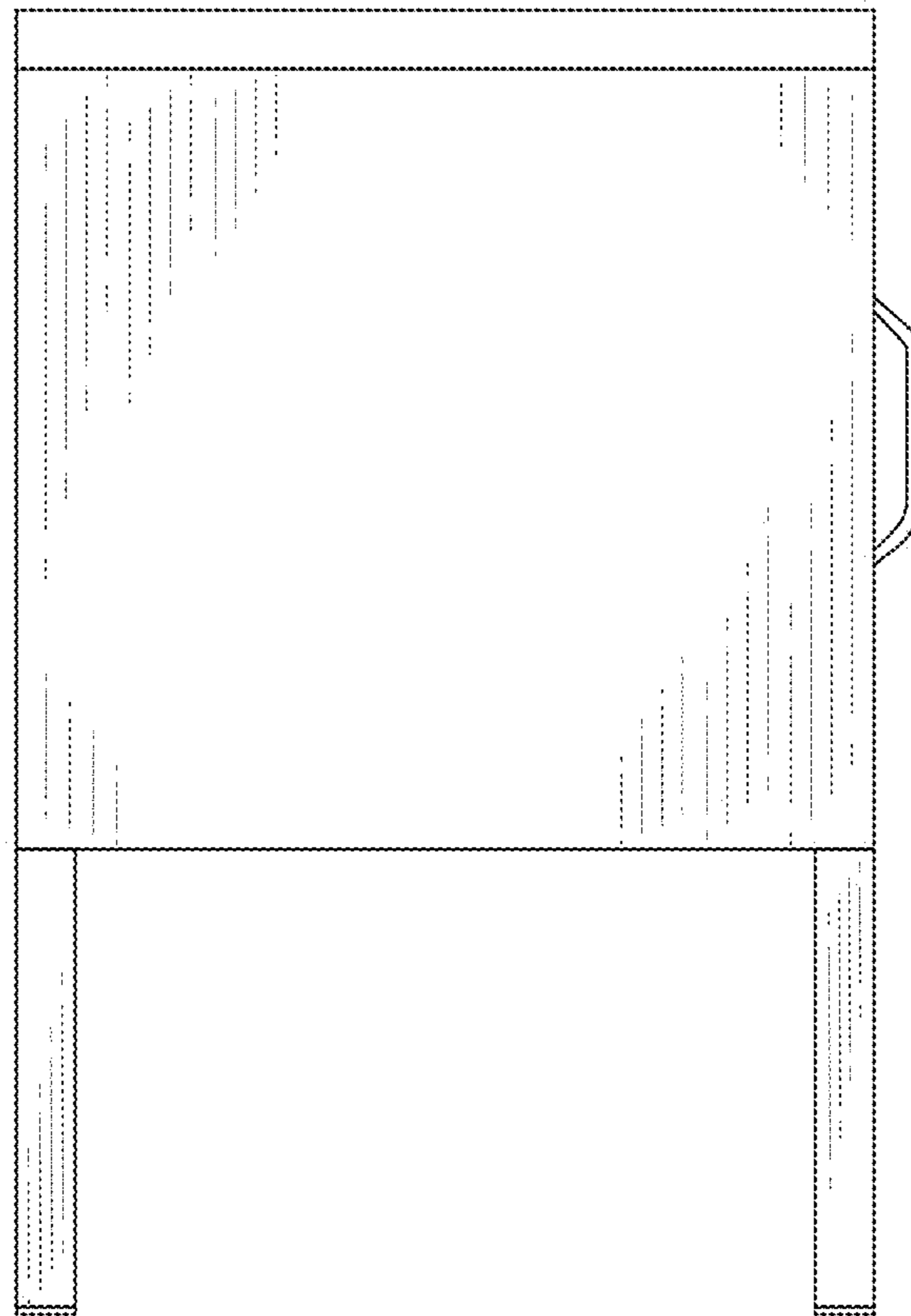


Fig. 5

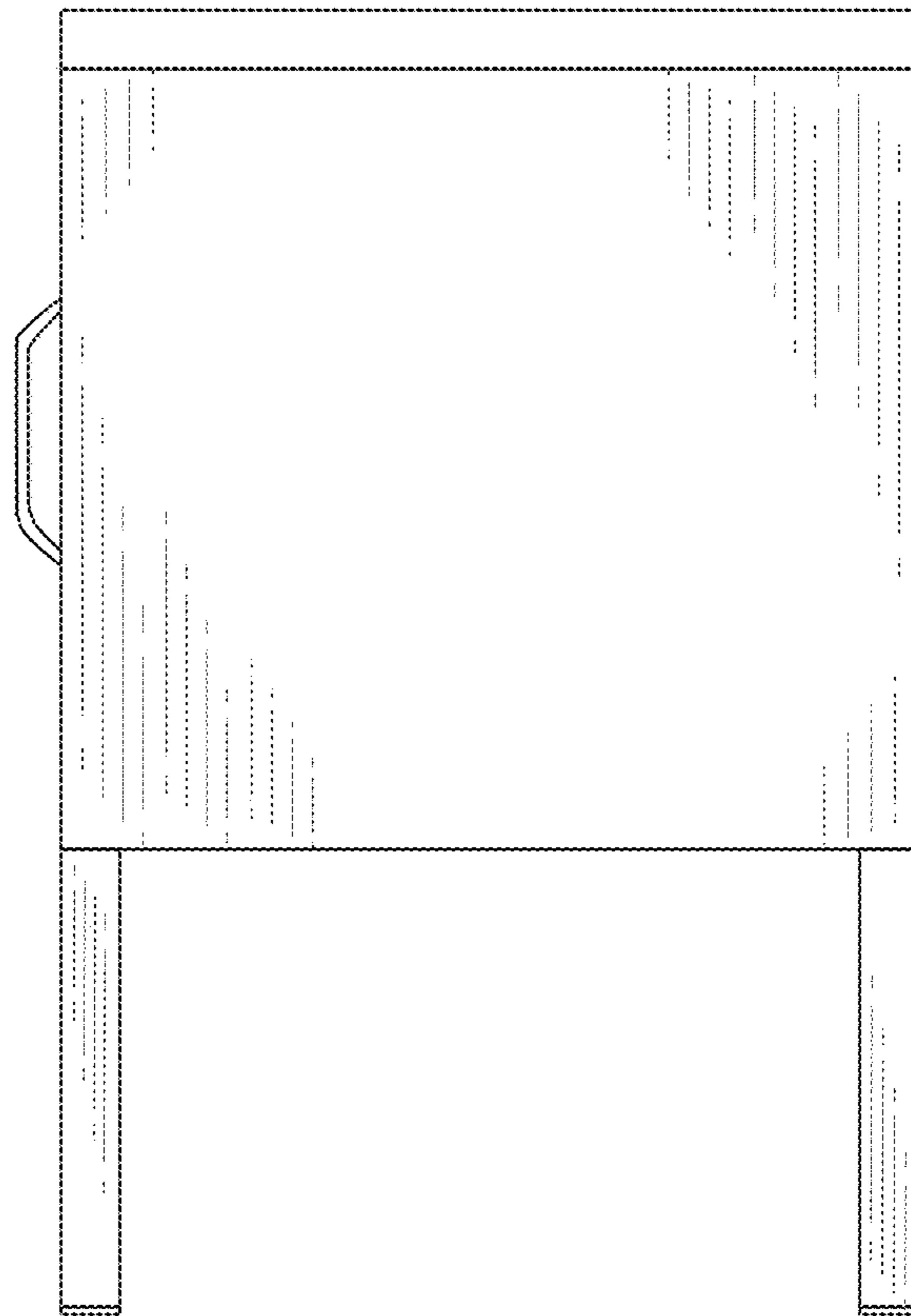


Fig. 6

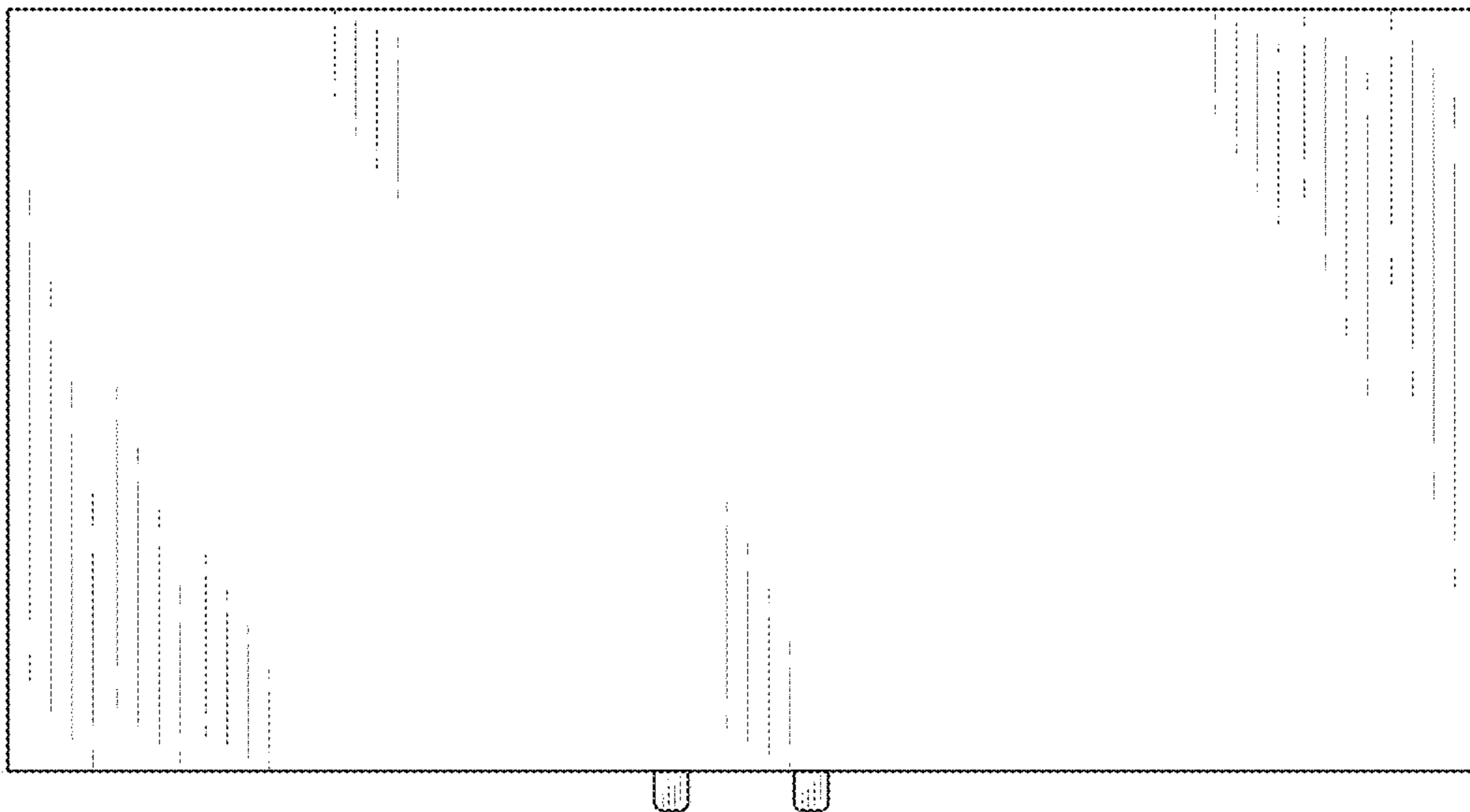


Fig. 7

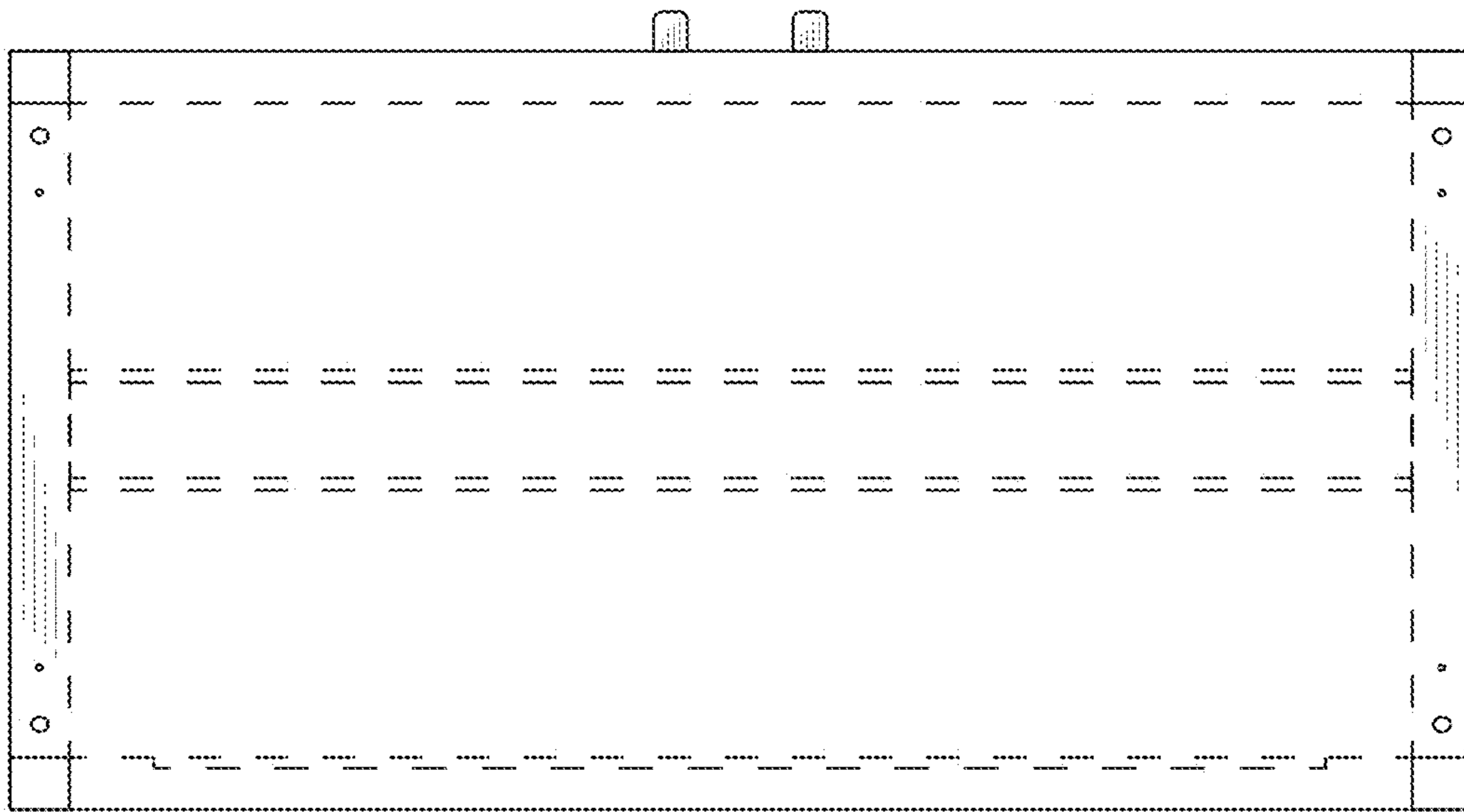


Fig. 8