



US00D912441S

(12) **United States Design Patent** (10) **Patent No.:** **US D912,441 S**  
**He** (45) **Date of Patent:** **\*\* Mar. 9, 2021**

- (54) **GAMMING DESK**
  - (71) Applicant: **Xiuying He**, Hunan Province (CN)
  - (72) Inventor: **Xiuying He**, Hunan Province (CN)
  - (\*\*) Term: **15 Years**
  - (21) Appl. No.: **29/752,471**
  - (22) Filed: **Sep. 28, 2020**
  - (51) **LOC (13) Cl.** ..... **06-03**
  - (52) **U.S. Cl.**  
USPC ..... **D6/653.11**
  - (58) **Field of Classification Search**  
USPC ..... D6/641, 642, 644, 647, 65, 653.1,  
D6/653.11, 653.12, 653.15,  
D6/653.17-653.19, 654, 654.11, 655,  
D6/655.11  
CPC ..... A47B 7/00; A47B 13/00; A47B 13/02;  
A47B 13/04; A47B 13/06; A47B 13/08;  
A47B 13/10; A47B 13/12; A47B 21/00;  
A47B 2021/0307; A47B 2021/0321;  
A47B 2021/0335; A47B 2021/0364;  
A47B 2200/0001; A47B 2200/0011;  
A47B 2200/002
- See application file for complete search history.

- (56) **References Cited**  
U.S. PATENT DOCUMENTS  
D267,690 S \* 1/1983 Verdesca ..... A47B 17/003  
D6/654.17  
D391,416 S \* 3/1998 Canton Gongora ..... D6/650  
5,997,118 A \* 12/1999 McBrayer ..... A47B 17/003  
312/334.44  
D429,580 S \* 8/2000 Janowitz ..... D6/653.11  
D462,194 S \* 9/2002 Wang ..... D6/653.1

- D547,970 S \* 8/2007 Chou ..... D6/655.1
- D657,823 S 4/2012 Gutowski
- D846,916 S \* 4/2019 Lopez ..... D6/655.1

**OTHER PUBLICATIONS**

Tribesigns Computer Desk with Hutch—Amazon <https://www.amazon.com/Tribesigns-Computer-55-Inch-Workstation-Studying/dp/B0823DYVWX> retrieved from the internet on Jan. 5, 2021.\*  
Ebern Designs Capital Desk with Hutch—Wayfair—retrieved from the internet on Jan. 5, 2021 <https://www.wayfair.com/Ebern-Designs--Capital-Desk-with-Hutch-X113750286-L32-K-W002649175.html?refid=GX444304078779-W002649175&device=c&ptid=902366137389&network=g&targetid=pla-902366137389&channel=GooglePLA&ireid.>\*

\* cited by examiner

*Primary Examiner* — Mary Ann Calabrese  
(74) *Attorney, Agent, or Firm* — ZANIP

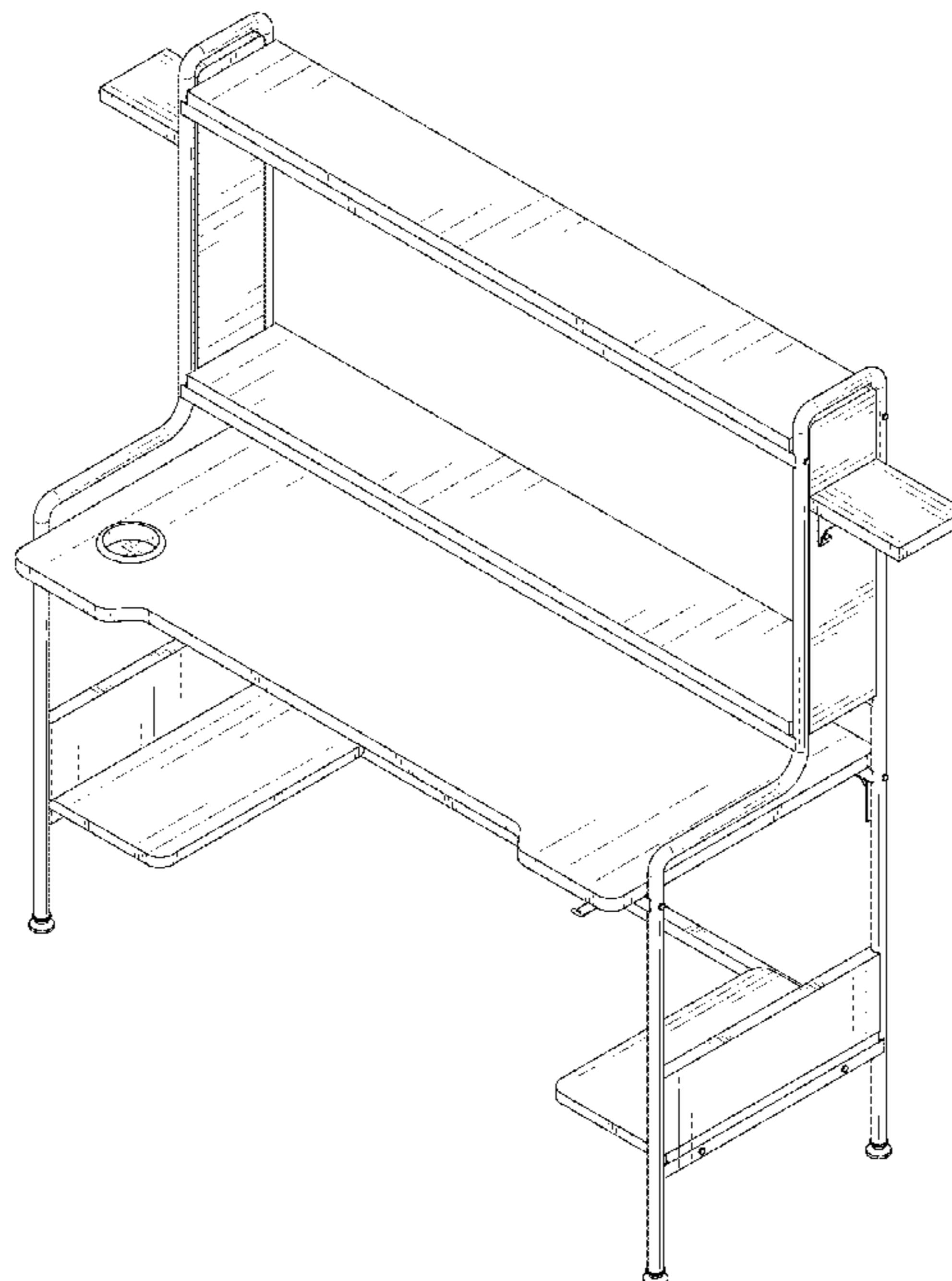
(57) **CLAIM**

The ornamental design for a gaming desk, as shown and described.

**DESCRIPTION**

FIG. 1 is a front and top perspective view of a gaming desk, showing my new design;  
FIG. 2 is a rear and bottom perspective view thereof;  
FIG. 3 is a front elevational view thereof;  
FIG. 4 is a rear elevational view thereof;  
FIG. 5 is a left side elevational view thereof;  
FIG. 6 is a right side elevational view thereof;  
FIG. 7 is a top plan view thereof; and,  
FIG. 8 is a bottom plan view thereof.  
The broken lines in the figures illustrate portions of the gaming desk that form no part of the claimed design.

**1 Claim, 8 Drawing Sheets**



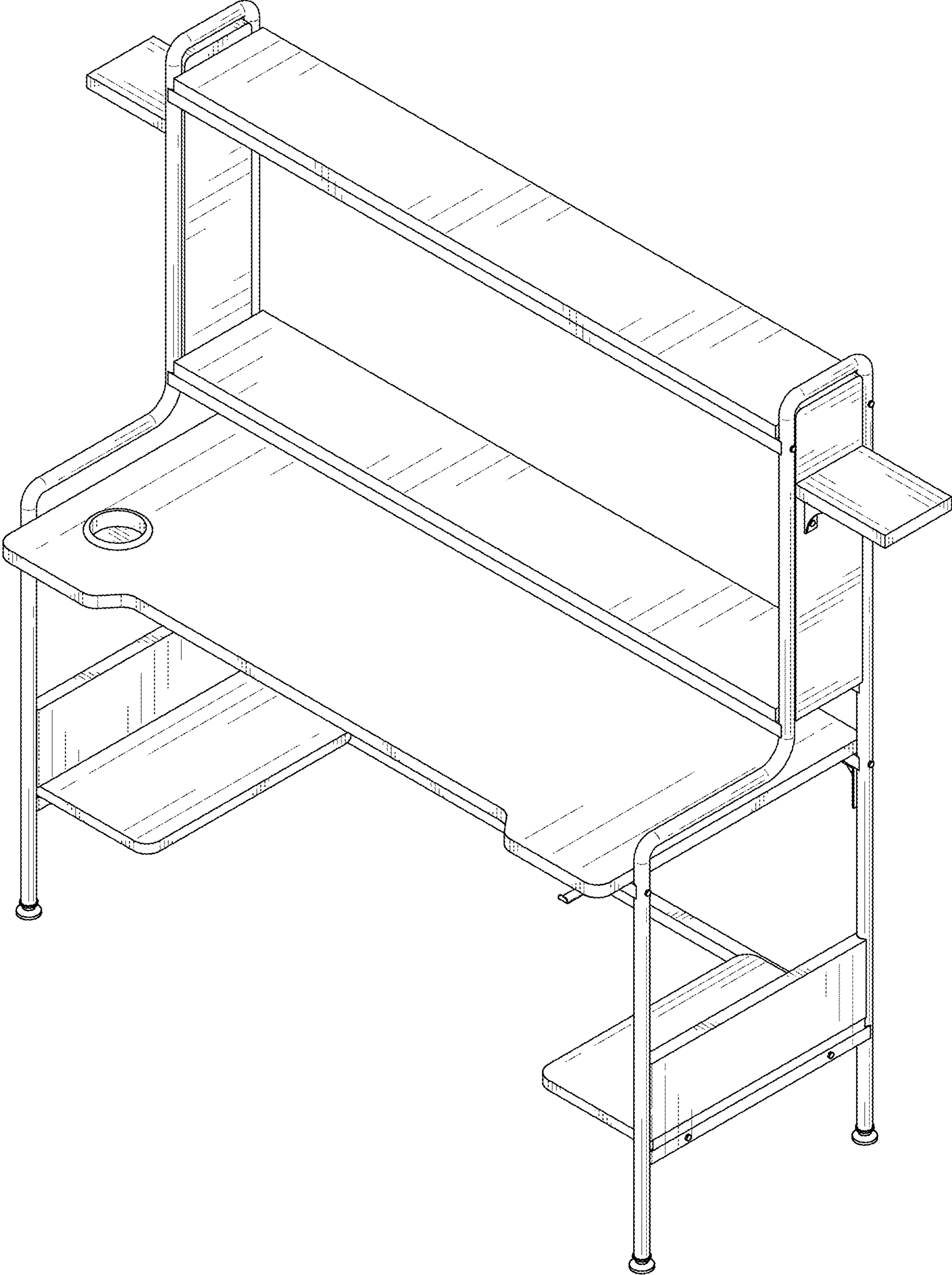


FIG. 1

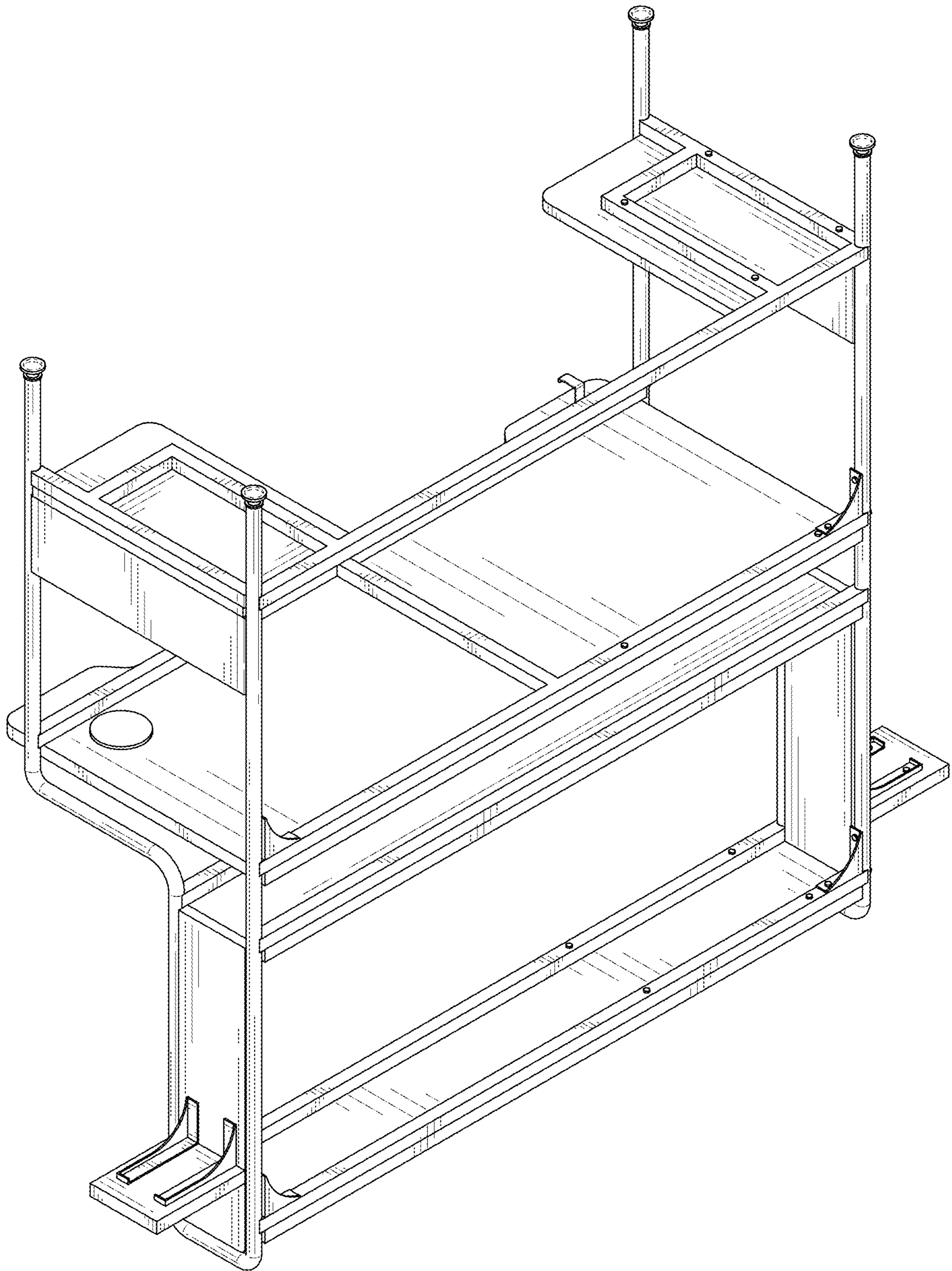


FIG. 2

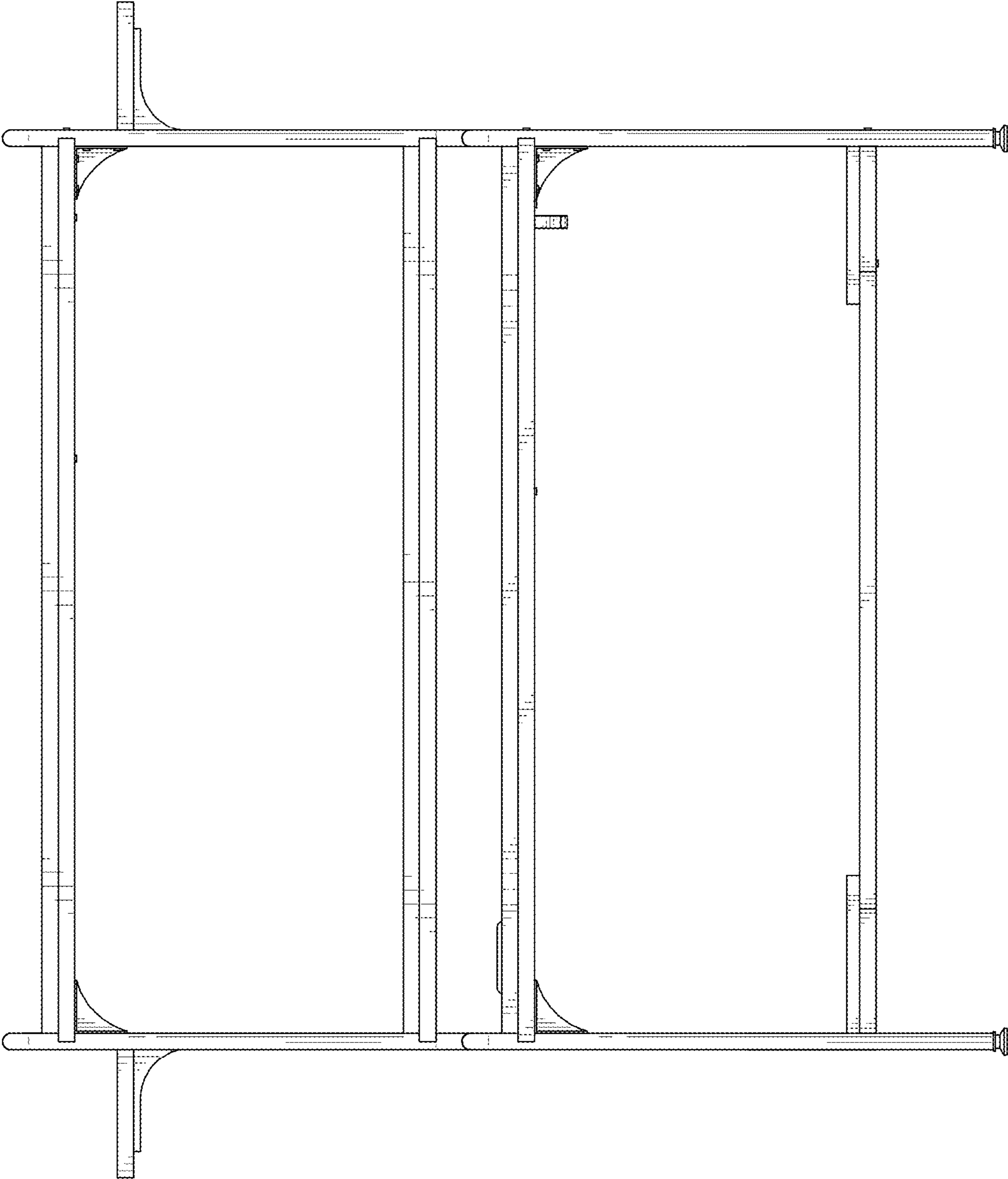


FIG. 3

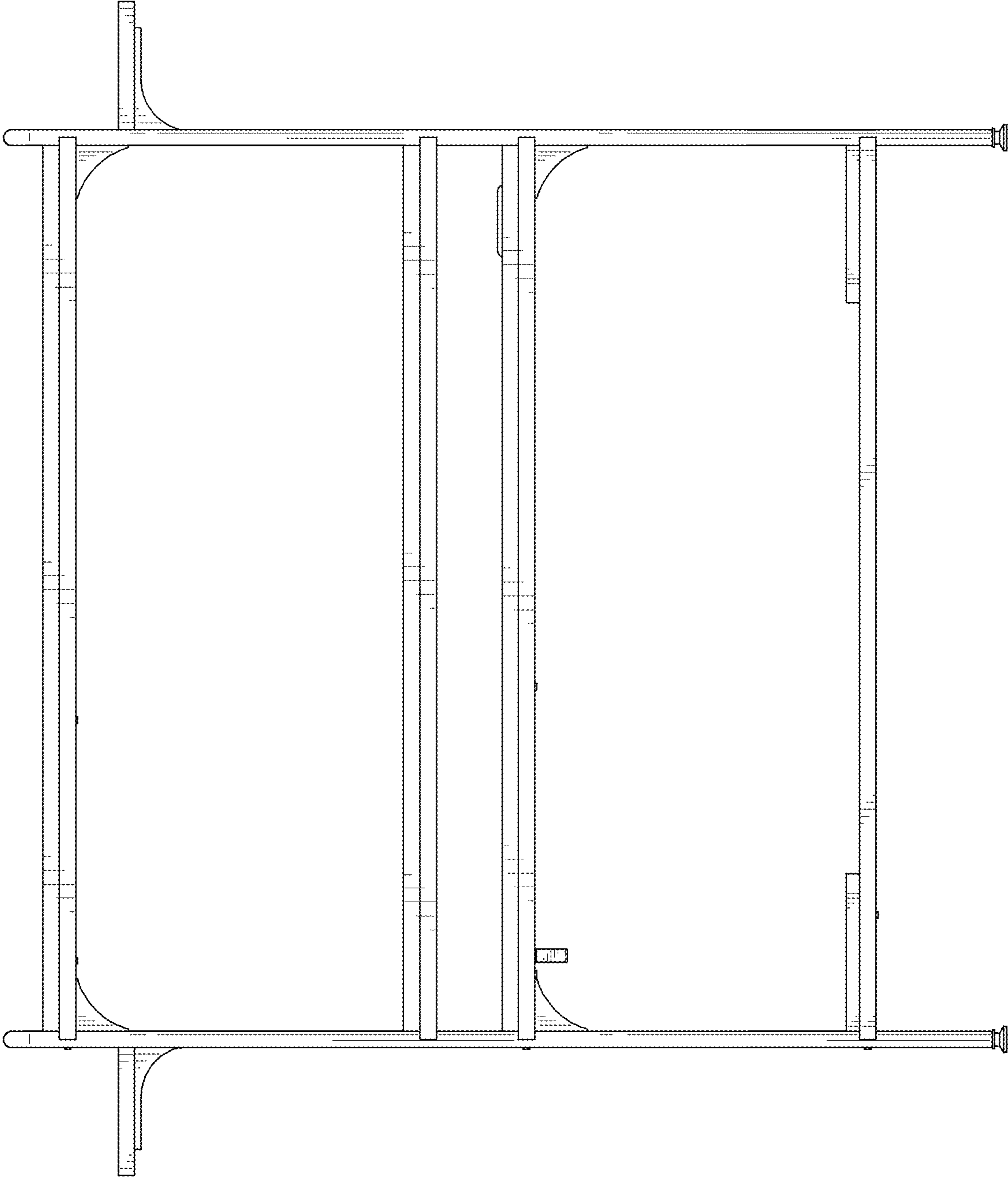


FIG. 4

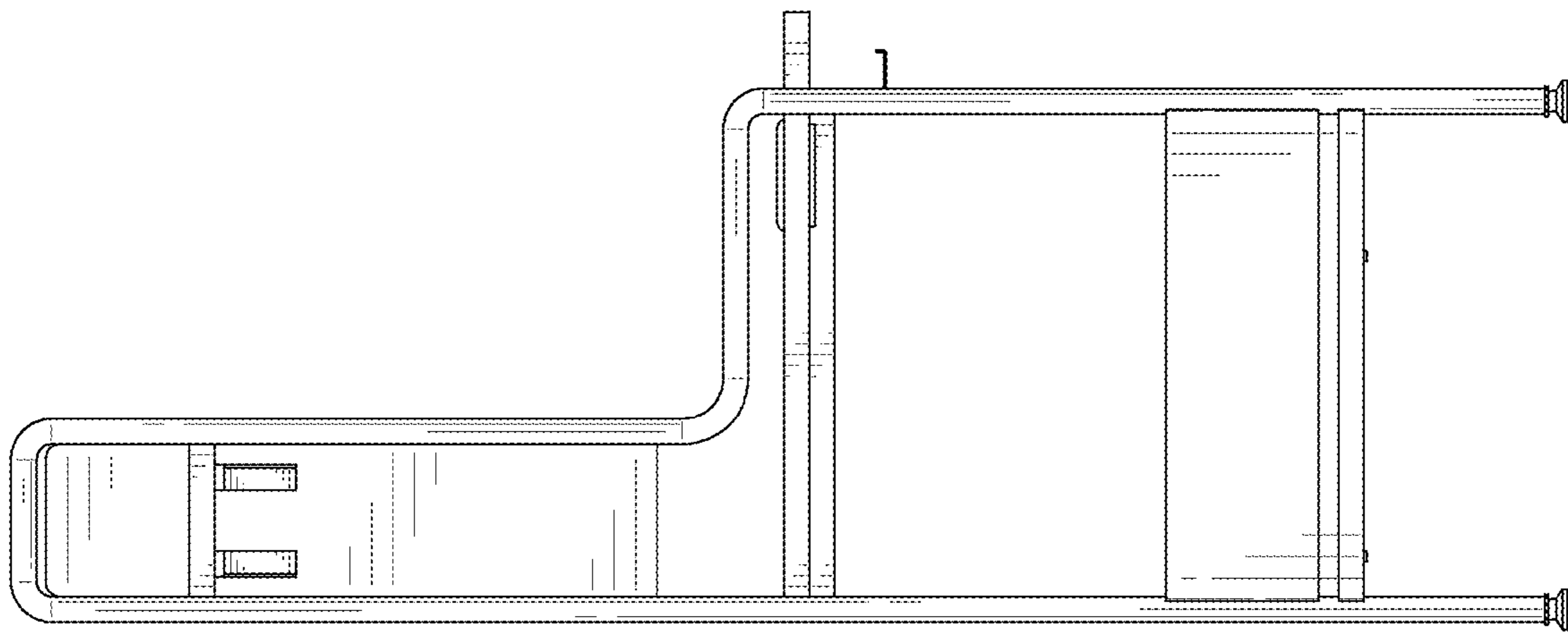


FIG. 5

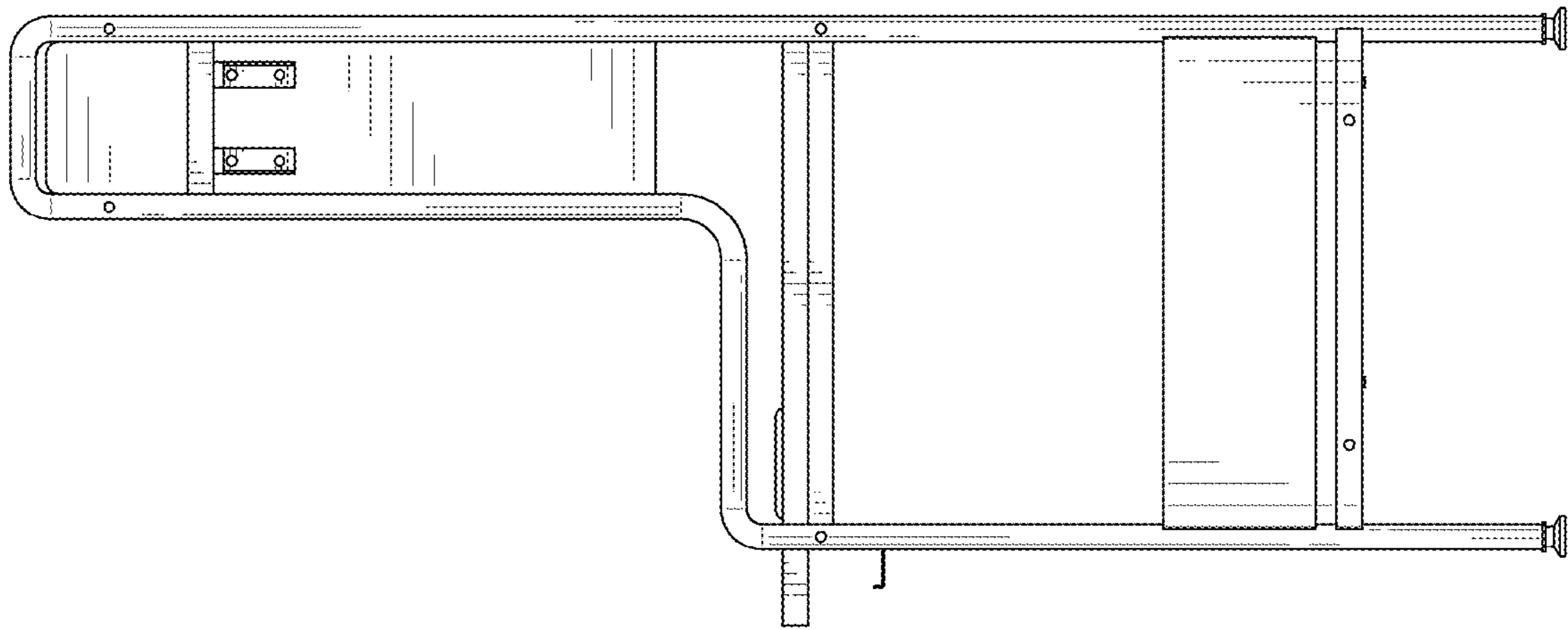


FIG. 6

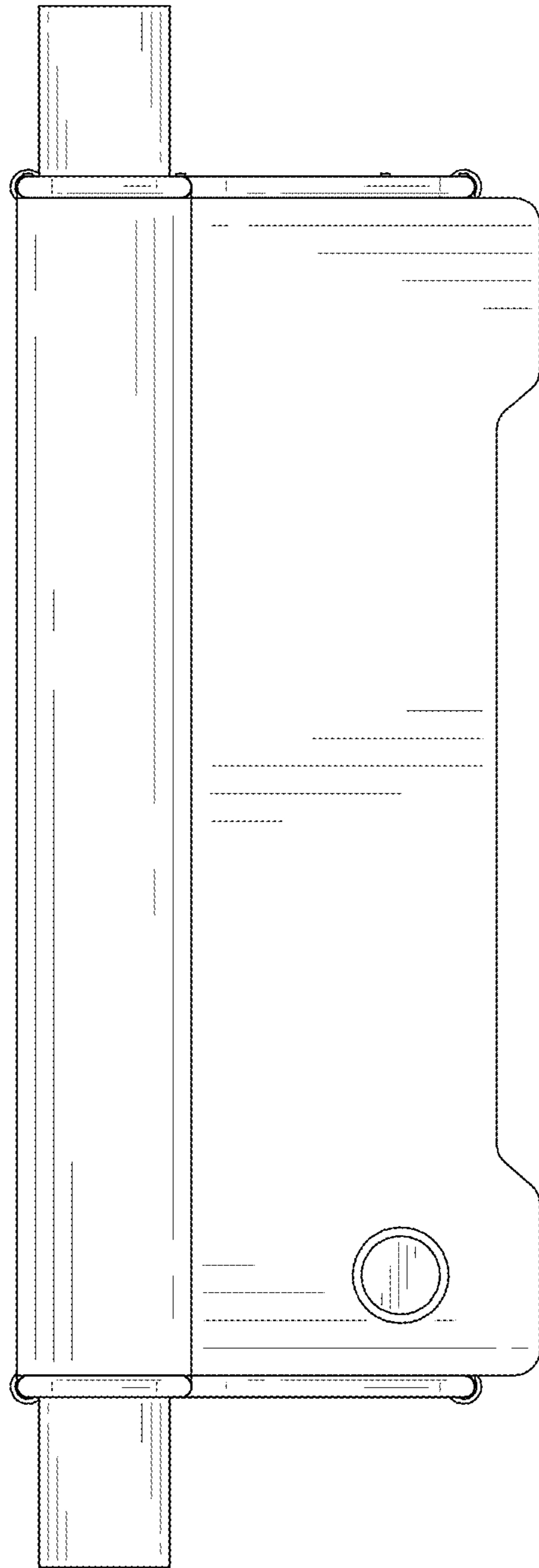


FIG. 7



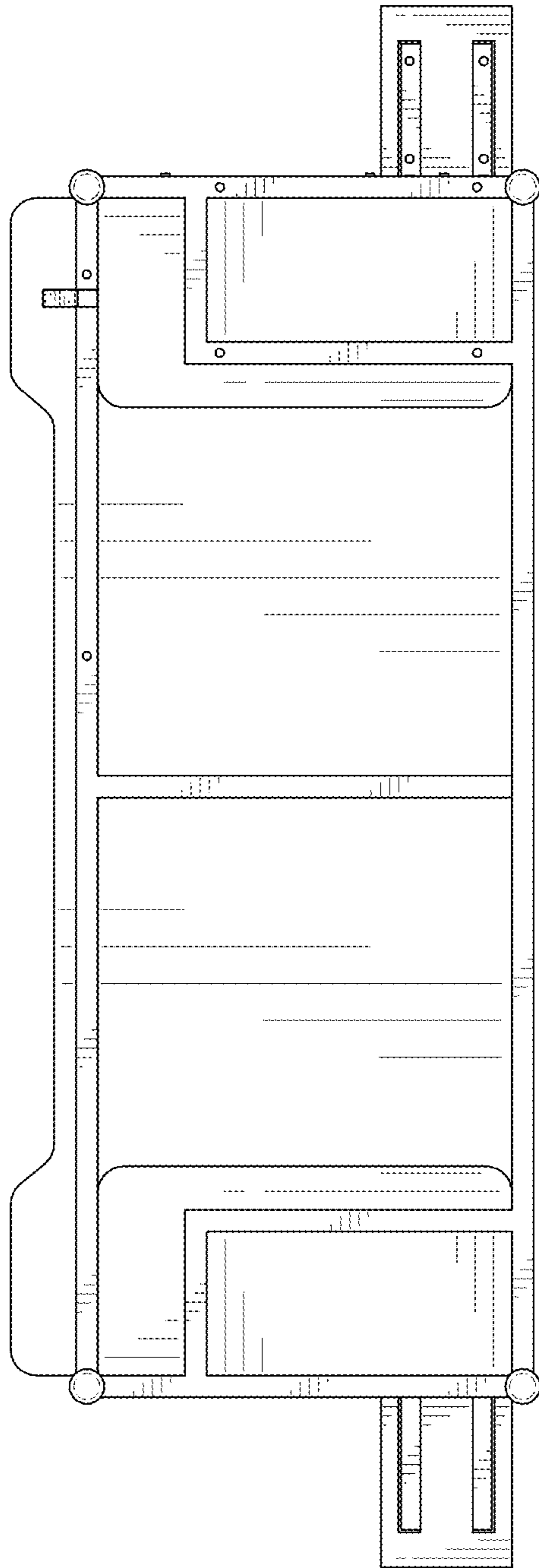


FIG. 8