



US00D912433S

(12) **United States Design Patent**  
**Chang**

(10) **Patent No.:** **US D912,433 S**

(45) **Date of Patent:** **\*\* Mar. 9, 2021**

(54) **SUPPORT BRACKET**

(71) Applicant: **Designer Brass Corporation**, Taichung (TW)

(72) Inventor: **Cheng Chung Chang**, Taichung (TW)

(73) Assignee: **Designer Brass Corporation**, Taichung (TW)

(\*\*) Term: **15 Years**

(21) Appl. No.: **29/687,996**

(22) Filed: **Apr. 17, 2019**

(51) **LOC (13) Cl.** ..... **23-02**

(52) **U.S. Cl.**  
USPC ..... **D6/524**; D6/546; D6/523

(58) **Field of Classification Search**  
USPC ..... D6/518–524, 546–550; 211/13.1, 16, 211/85.5, 86.01, 87.01, 88.04, 110, 105.1, 211/105.2, 106, 113, 123, 181.1, 211/182–183; 248/49, 175, 176.1, 200, 248/201, 205.1, 251, 302, 309.1, 315; 242/570, 590, 595–598; D8/300, 370, D8/315; 108/28–29  
CPC ..... A47K 10/04; A47K 10/00  
See application file for complete search history.

(56) **References Cited**

**U.S. PATENT DOCUMENTS**

D484,722 S *	1/2004	Goodman	.....	D6/546
D498,099 S *	11/2004	Chen	.....	D6/524
D521,292 S *	5/2006	Ferrer Beltran	.....	D6/546
D547,166 S *	7/2007	Barrese	.....	D6/550
D552,903 S *	10/2007	Bitterman	.....	D6/524
D609,515 S *	2/2010	Krumpe	.....	D6/524
D680,783 S *	4/2013	Chang	.....	D6/550
D707,056 S *	6/2014	Gilbert	.....	D6/524

D784,041 S *	4/2017	Pan	.....	D6/524
D806,524 S *	1/2018	Honein	.....	D8/363
D836,944 S *	1/2019	Rutgers	.....	D6/549
D836,945 S *	1/2019	Rutgers	.....	D6/549
D836,946 S *	1/2019	Rutgers	.....	D6/549

\* cited by examiner

*Primary Examiner* — Nathan M Johnston

(74) *Attorney, Agent, or Firm* — Muncy, Geissler, Olds & Lowe, P.C.

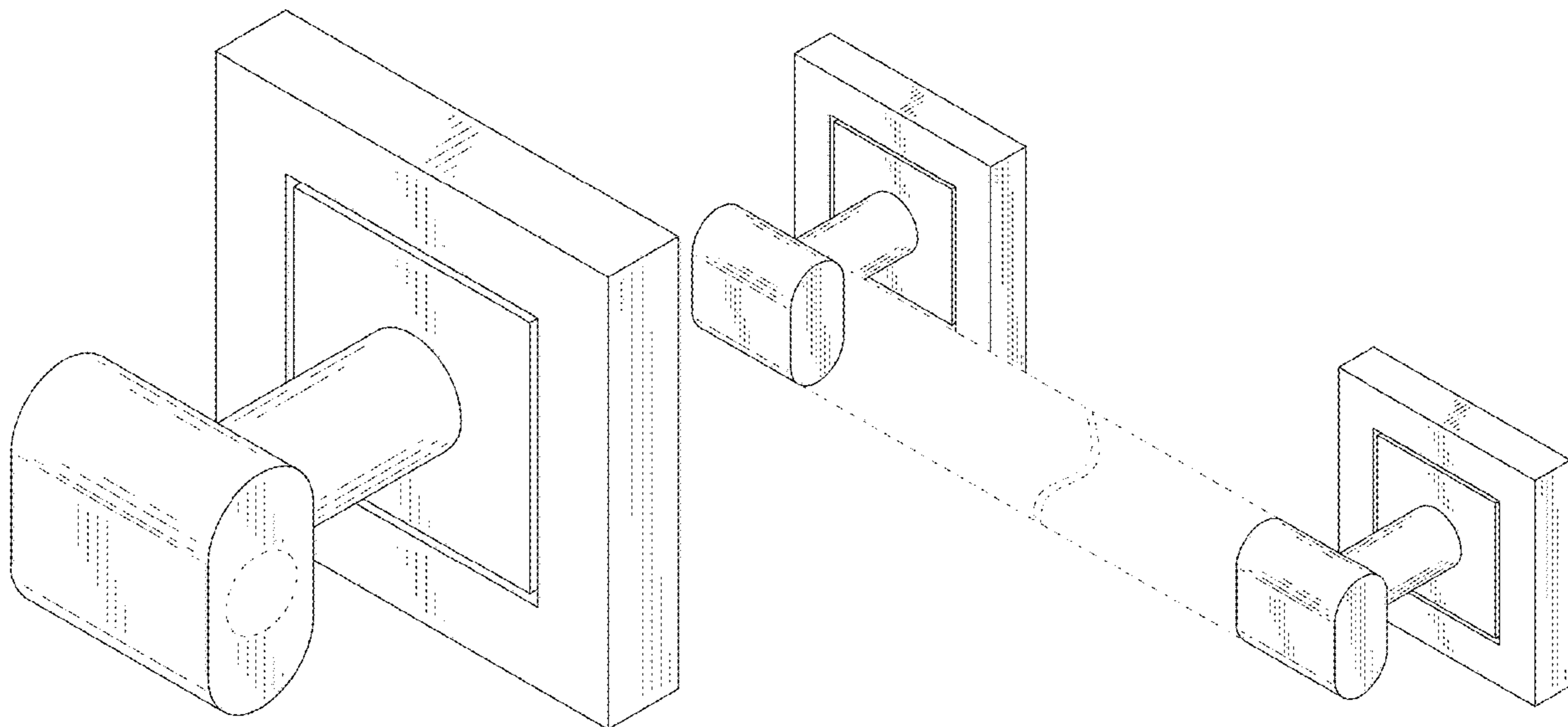
(57) **CLAIM**

The ornamental design for a support bracket, as shown and described.

**DESCRIPTION**

FIG. 1 is a top, front, and right side perspective view of a support bracket showing my new design;  
 FIG. 2 is a front elevation view thereof;  
 FIG. 3 is a top plan view thereof; the bottom being a mirror image of that shown;  
 FIG. 4 is a right side elevation view thereof, the left side being a mirror image of that shown;  
 FIG. 5 is an additional top, front, and right side perspective view thereof;  
 FIG. 6 is an additional top, front, and right side perspective view of a second embodiment thereof;  
 FIG. 7 is an additional top, front, and right side perspective view of a third embodiment thereof;  
 FIG. 8 is an additional top, front, and right side perspective view of a fourth embodiment thereof, and,  
 FIG. 9 is an additional top, front, and right side perspective view of a fifth embodiment thereof.  
 The features shown in broken lines depict environmental subject matter only and form no part of the claimed design.

**1 Claim, 9 Drawing Sheets**



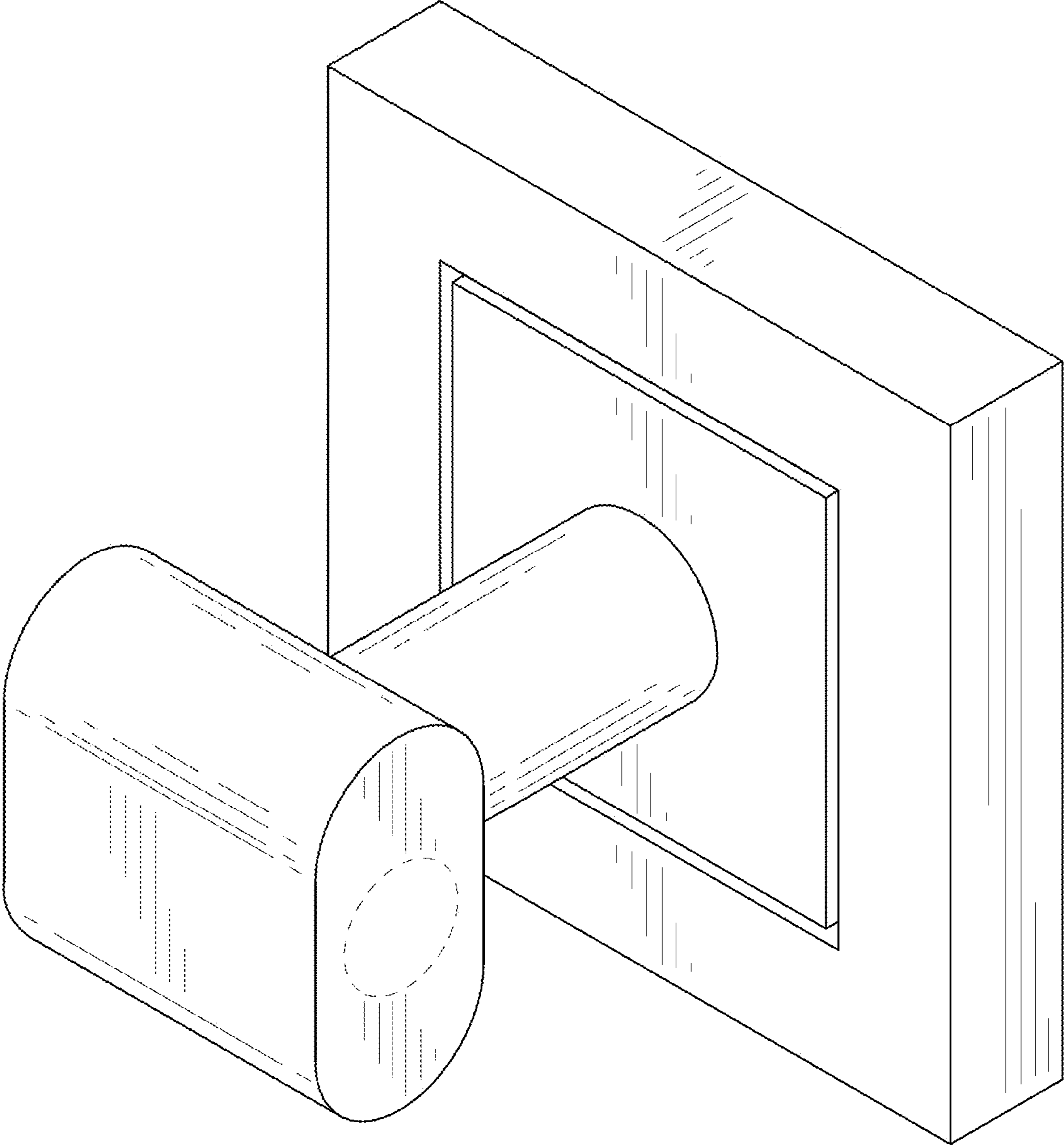


FIG. 1

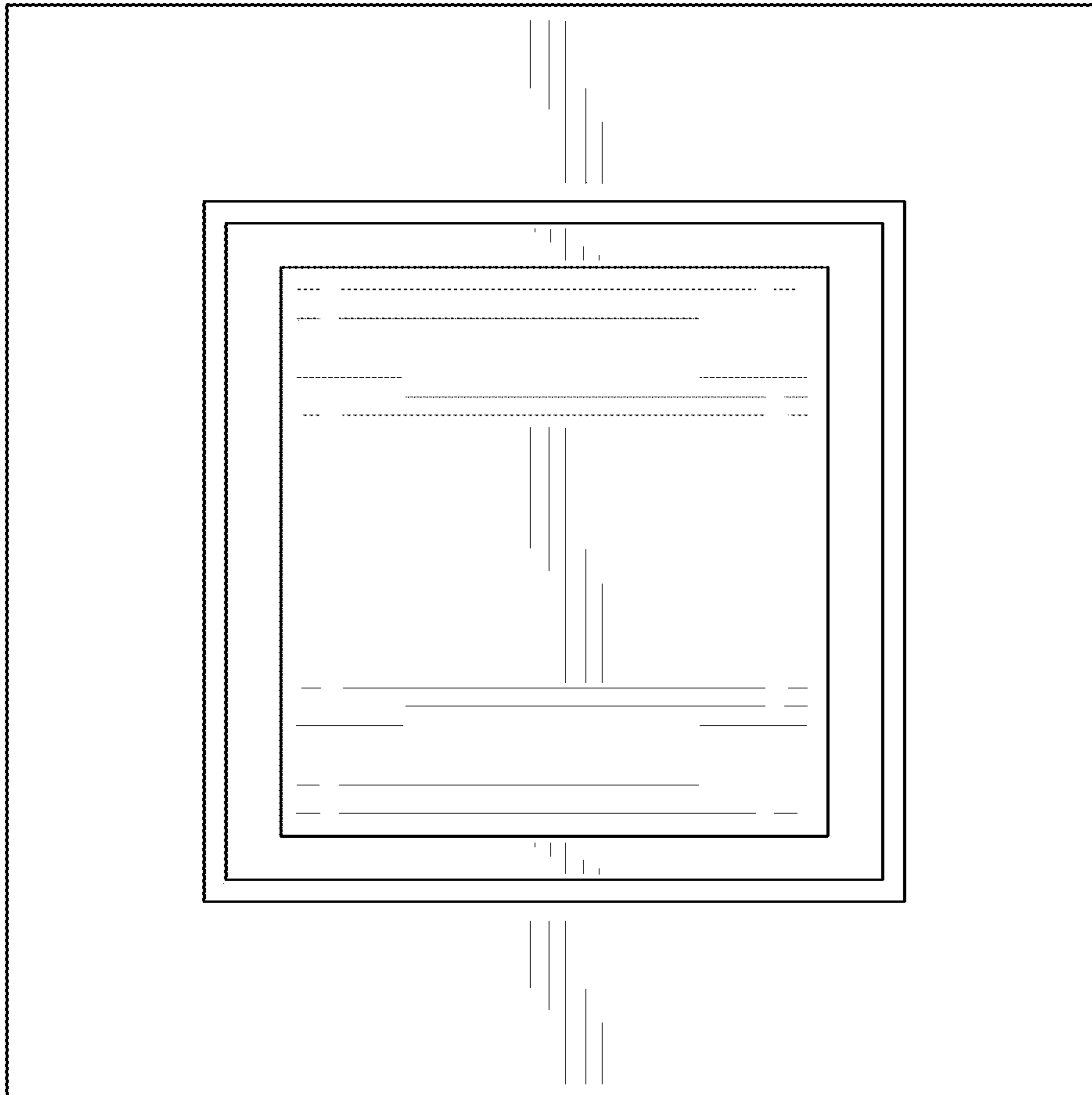


FIG. 2

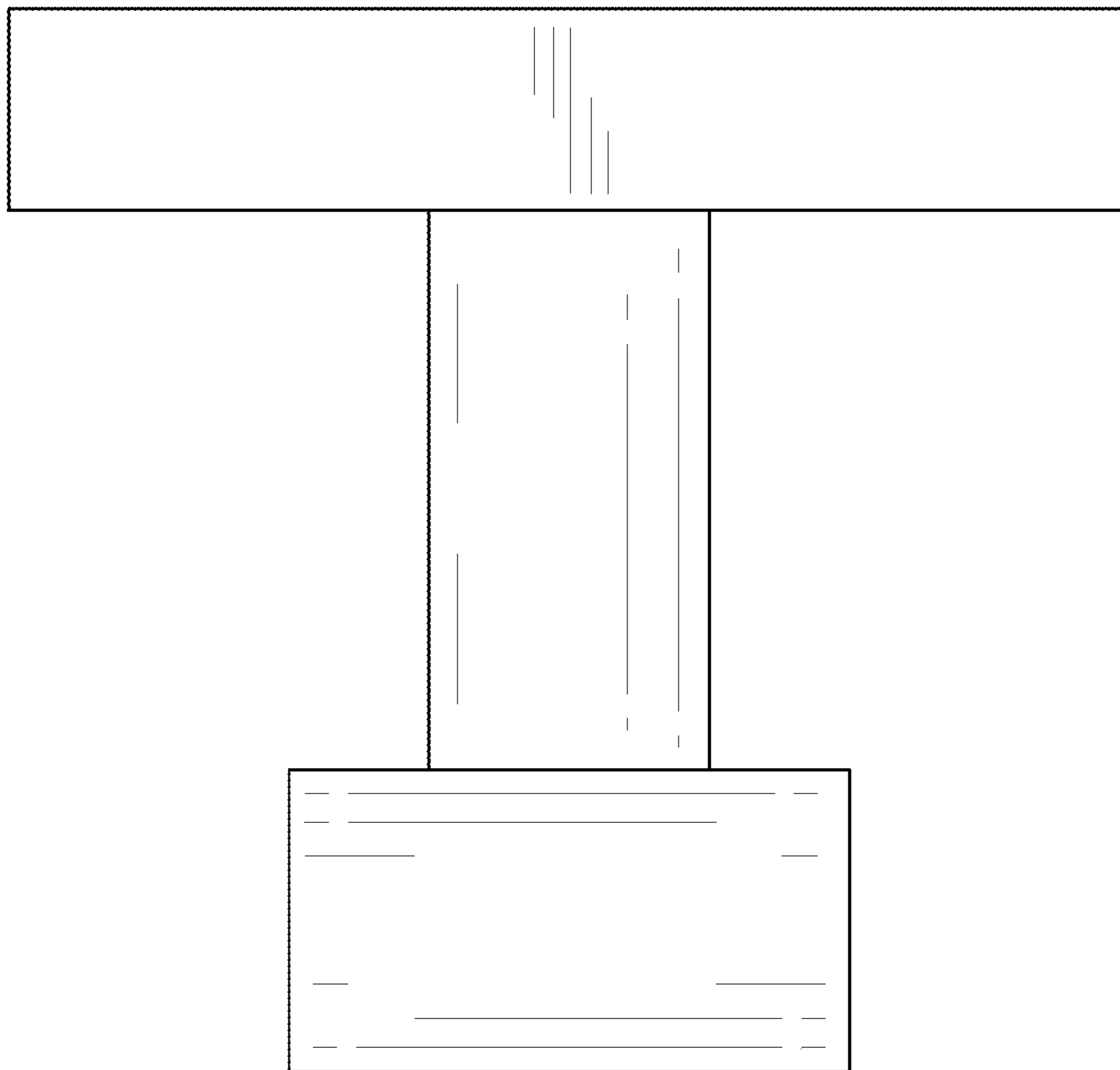


FIG. 3

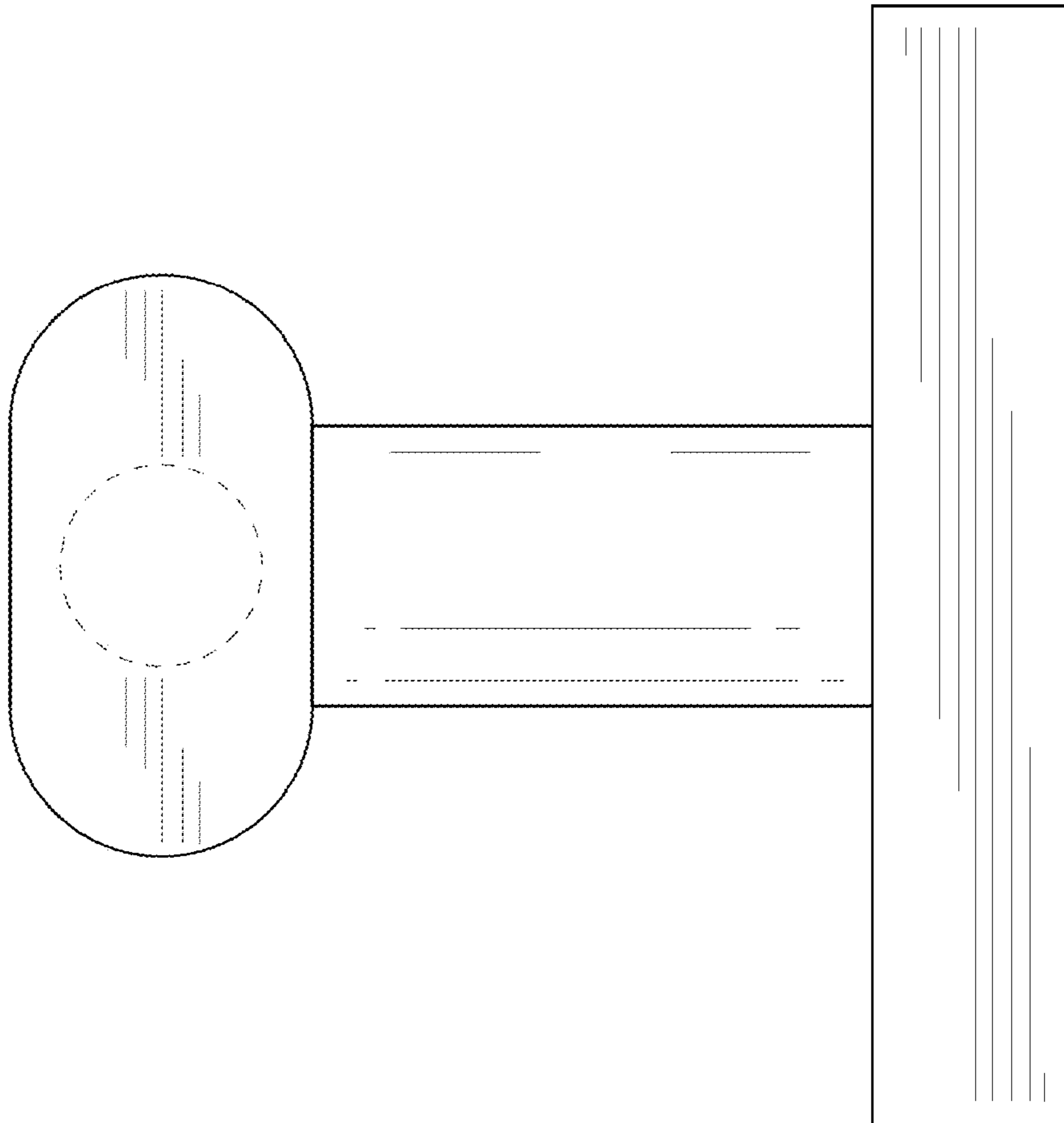


FIG. 4

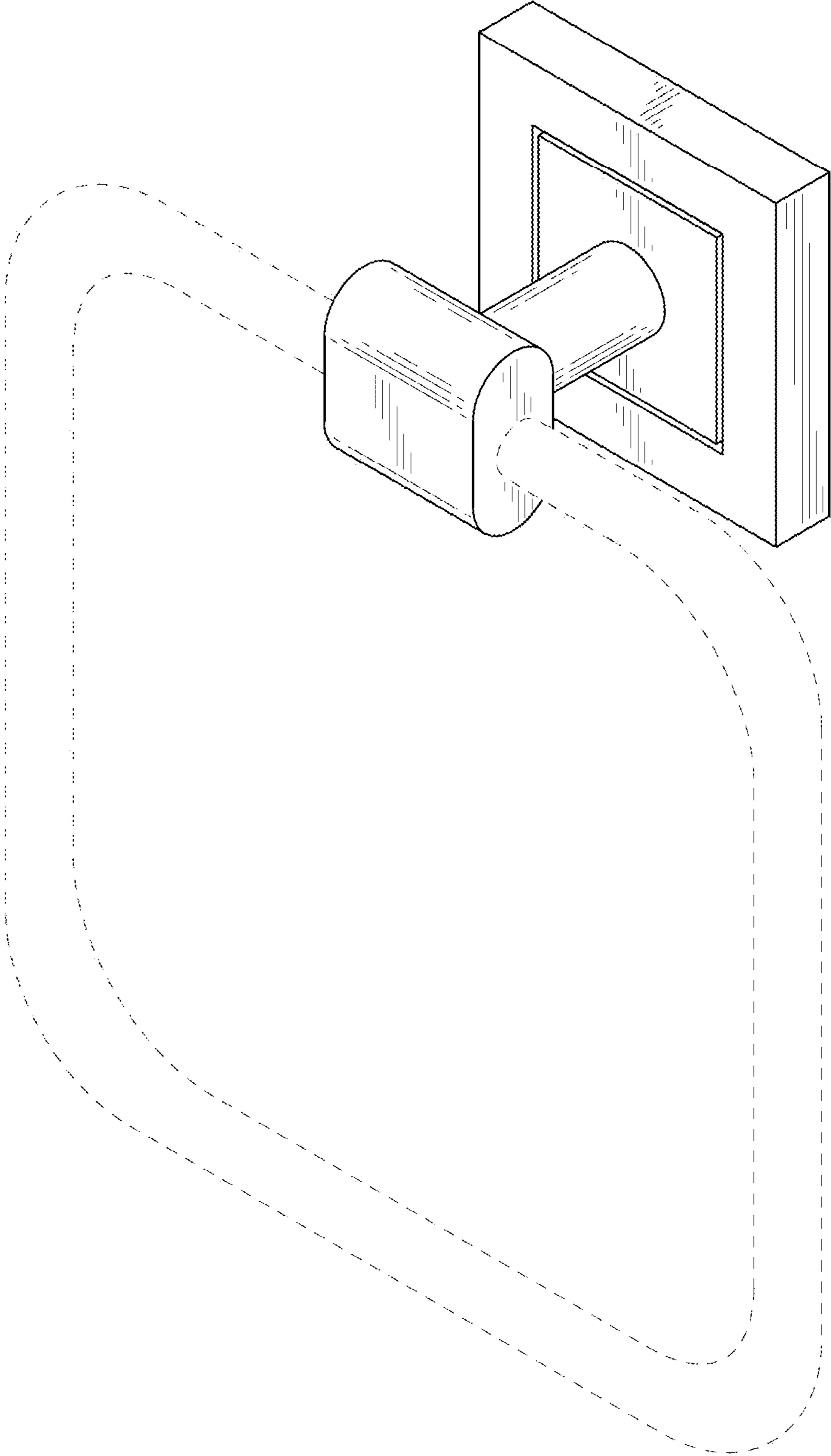


FIG. 5

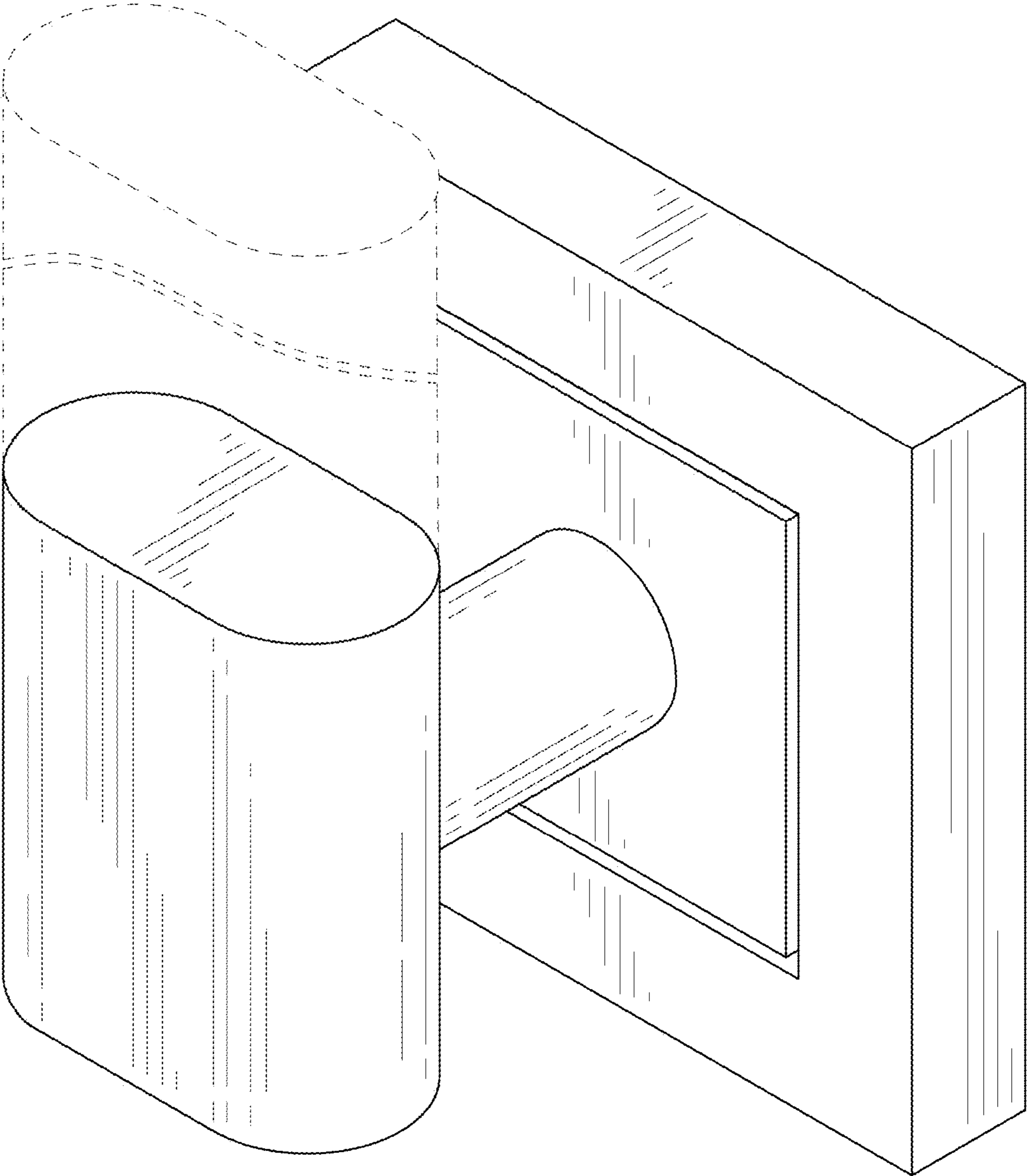


FIG. 6

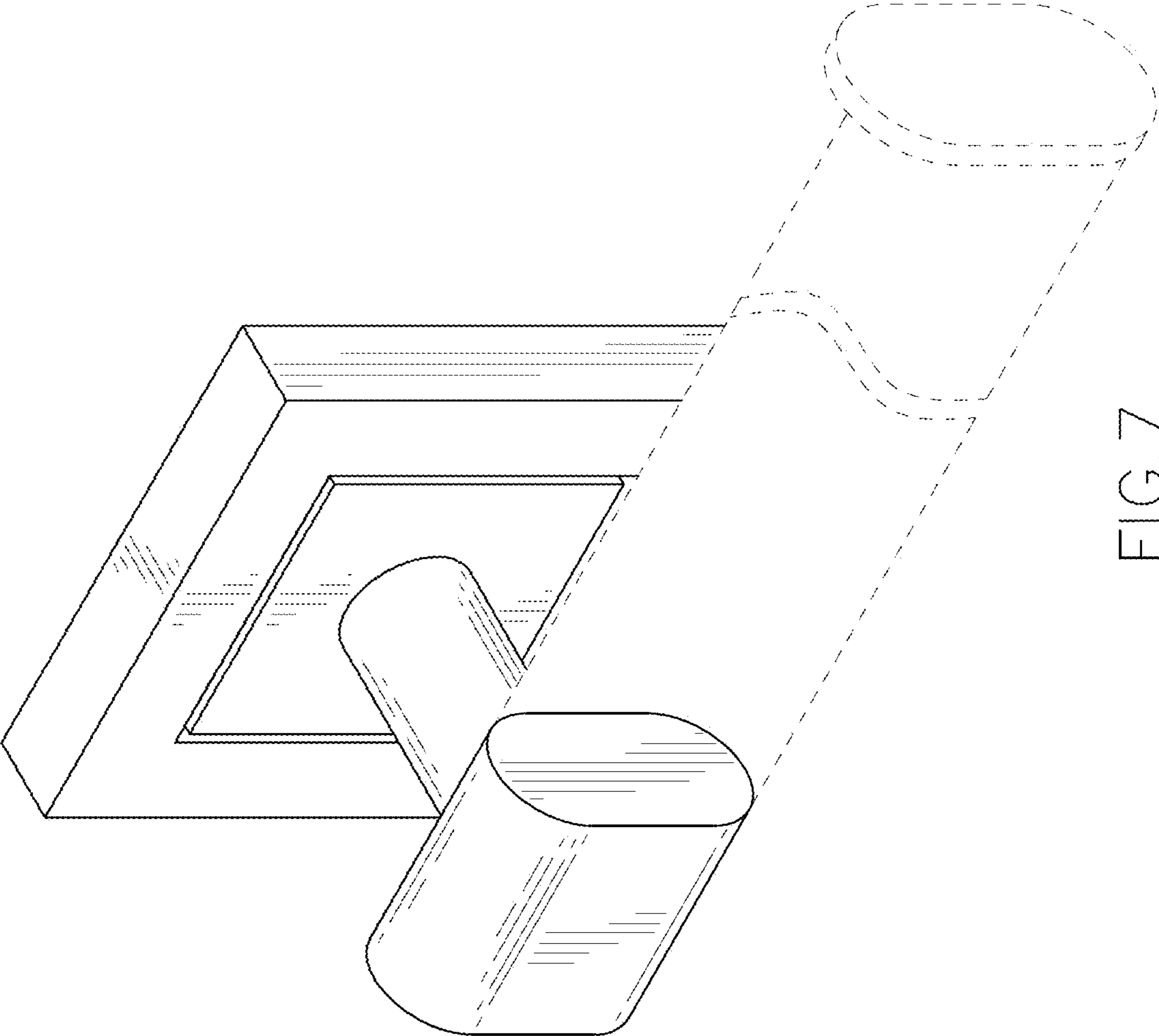


FIG. 7



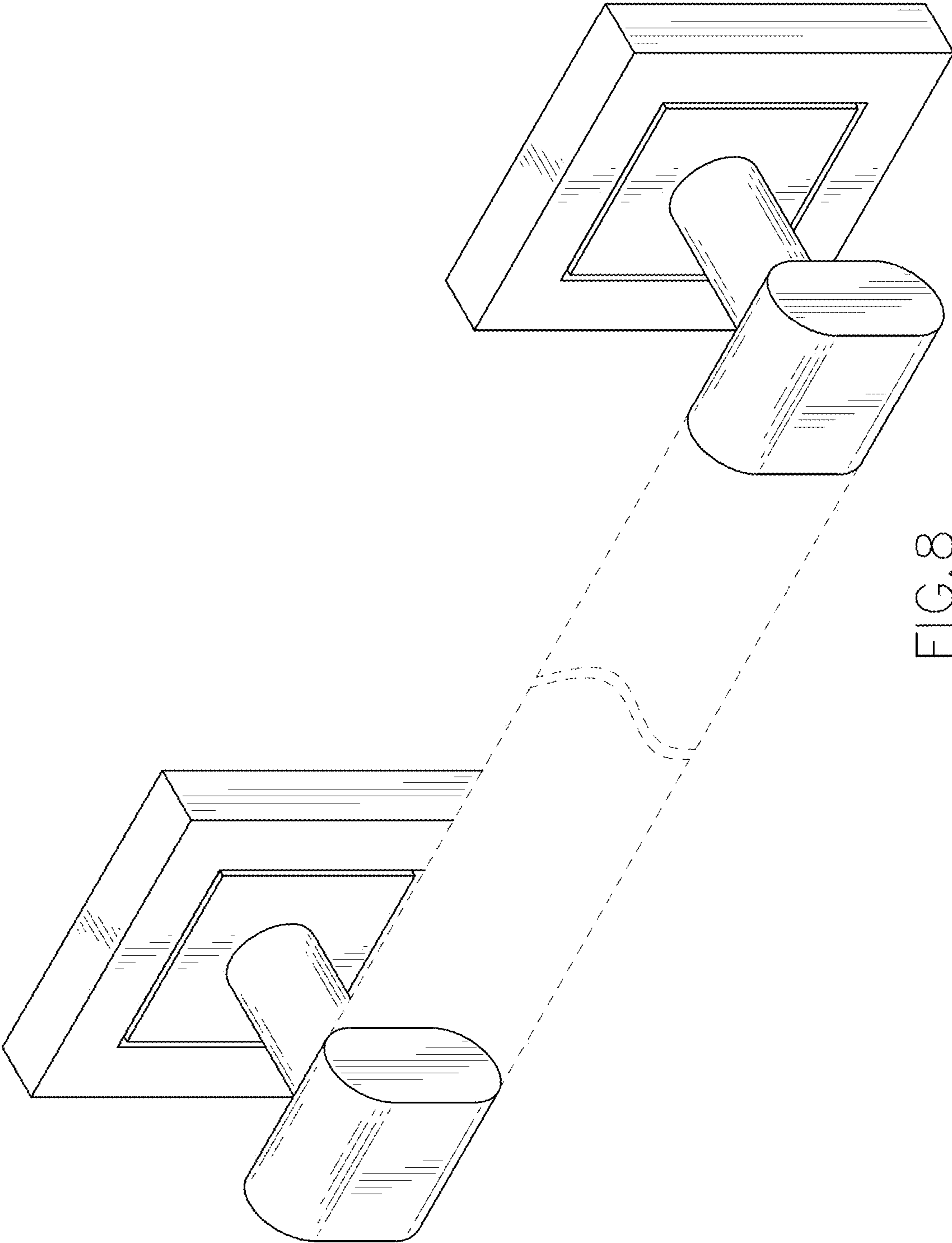


FIG. 8

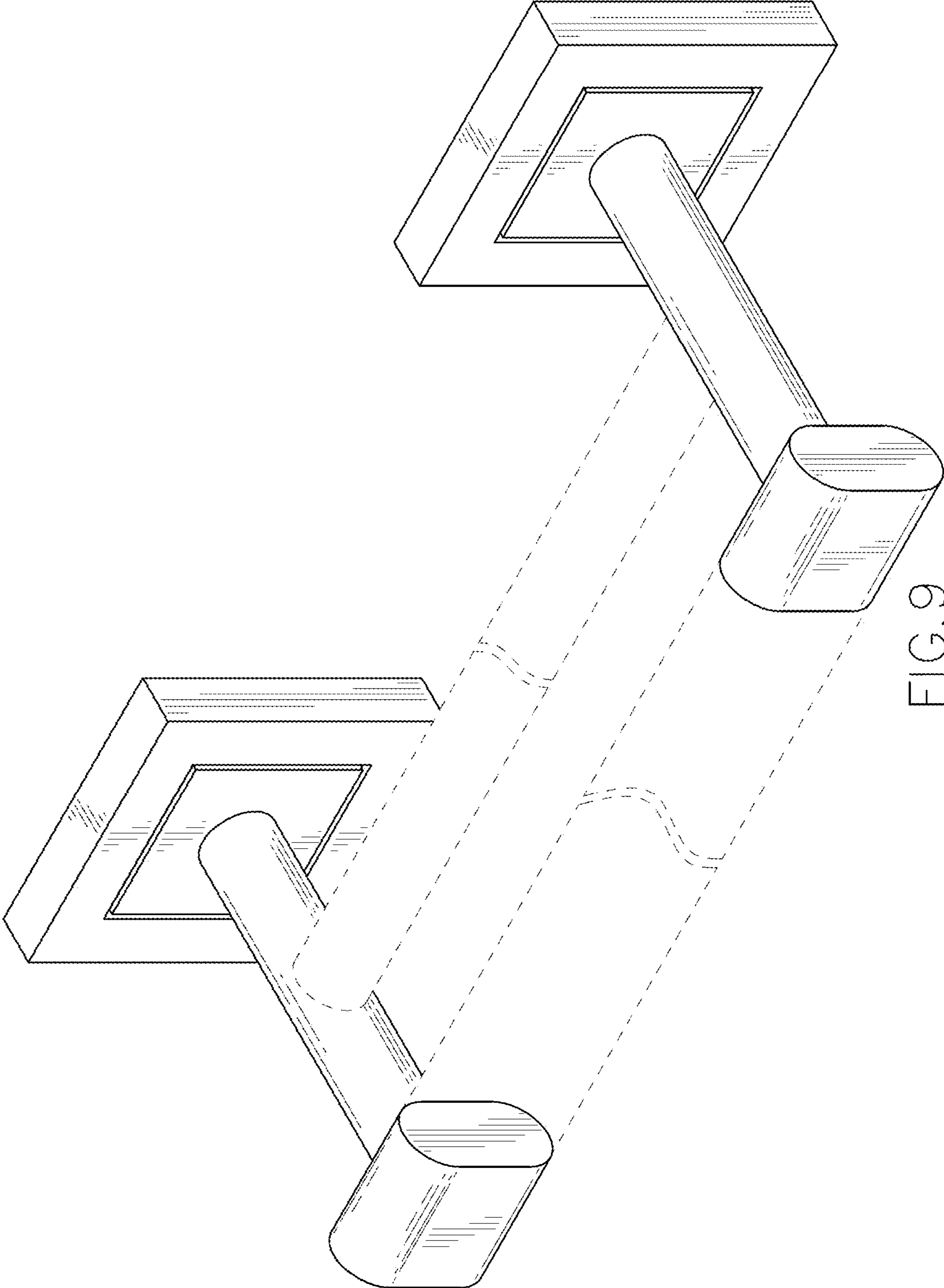


FIG. 9