



US00D912432S

(12) **United States Design Patent**
Sullins

(10) **Patent No.:** **US D912,432 S**
(45) **Date of Patent:** **** Mar. 9, 2021**

(54) **LAP DESK WITH WORKPIECE CLIP**

(71) Applicant: **Patrick Hogan Sullins**, Arlington, TX (US)

(72) Inventor: **Patrick Hogan Sullins**, Arlington, TX (US)

(73) Assignee: **Creative Manufacturing, LLC**, Arlington, TX (US)

(**) Term: **15 Years**

(21) Appl. No.: **29/731,108**

(22) Filed: **Apr. 12, 2020**

D517,833 S *	3/2006	Jennings	D6/406.5
D575,077 S *	8/2008	Kessels	D6/406.3
D575,826 S *	8/2008	Chen	D19/88
D583,164 S *	12/2008	Jennings	D6/406.6
D606,774 S *	12/2009	Kohli	D6/406.6
D609,027 S *	2/2010	Jennings	D6/406.5
D619,823 S *	7/2010	Jennings	D6/406.3
D621,406 S *	8/2010	Hoehn	D14/447
D641,024 S *	7/2011	Zenri	D14/447
D694,036 S *	11/2013	Woodard	D6/406.3
D699,245 S *	2/2014	Lee	D14/447
D701,089 S *	3/2014	Lee	D7/554.3
D701,213 S *	3/2014	Pajic	D14/447
D720,152 S *	12/2014	Chauss	D6/406.3
D731,200 S *	6/2015	Andersen	D6/406.3
D763,858 S *	8/2016	Fluckiger	D14/440
D776,452 S *	1/2017	Glaser	D6/406.3
D787,223 S *	5/2017	Lu	D6/406.2
D794,974 S *	8/2017	Jennings	D6/406.3

(Continued)

Related U.S. Application Data

(63) Continuation-in-part of application No. 29/705,740, filed on Sep. 15, 2019.

(51) **LOC (13) Cl.** **06-06**

(52) **U.S. Cl.**
USPC **D6/406.3**

(58) **Field of Classification Search**
USPC D6/406.1-406.6; D19/91-92; D7/552.2, D7/554.3-554.4
CPC A47G 23/06; A47G 23/0608; A47B 23/00; A47B 23/002
See application file for complete search history.

(56) **References Cited**

U.S. PATENT DOCUMENTS

5,081,936 A *	1/1992	Drieling	B60N 3/002
				108/25
D356,009 S *	3/1995	Branch	D6/406.5
D433,580 S *	11/2000	Jarke	D6/406.3
D467,933 S *	12/2002	Hovsepian	D14/458
D472,728 S *	4/2003	Harris	D6/406.3
D512,245 S *	12/2005	Bean	D6/406.3

Primary Examiner — Kelley A Donnelly

(74) *Attorney, Agent, or Firm* — Guy V. Manning

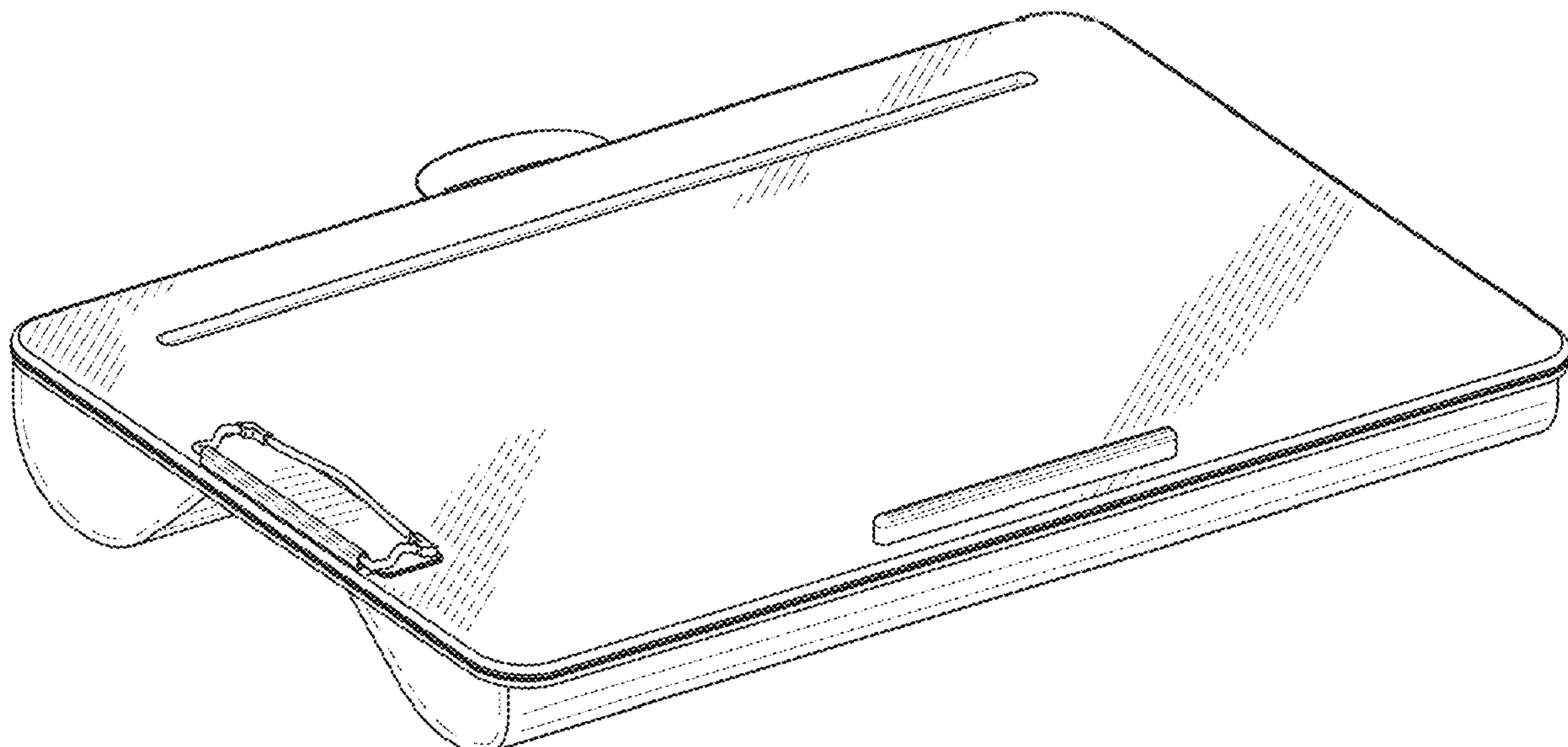
(57) **CLAIM**

The ornamental design for a lap desk with workpiece clip, as shown and described.

DESCRIPTION

FIG. 1 is an elevated, front, left perspective view of a new design for a lap desk with workpiece clip;
FIG. 2 is a top plan view of the new design of FIG. 1;
FIG. 3 is a bottom plan view of the new design of FIG. 1;
FIG. 4 is a front elevational view of the new design of FIG. 1;
FIG. 5 is a rear elevational view of the new design of FIG. 1;
FIG. 6 is a right side elevational view of the new design of FIG. 1; and,
FIG. 7 is a left side elevational view of the new design of FIG. 1.

1 Claim, 4 Drawing Sheets



(56)

References Cited

U.S. PATENT DOCUMENTS

2010/0084848 A1* 4/2010 Nguyen B42F 9/001
281/49
2020/0298611 A1* 9/2020 Allen B42F 9/001

* cited by examiner

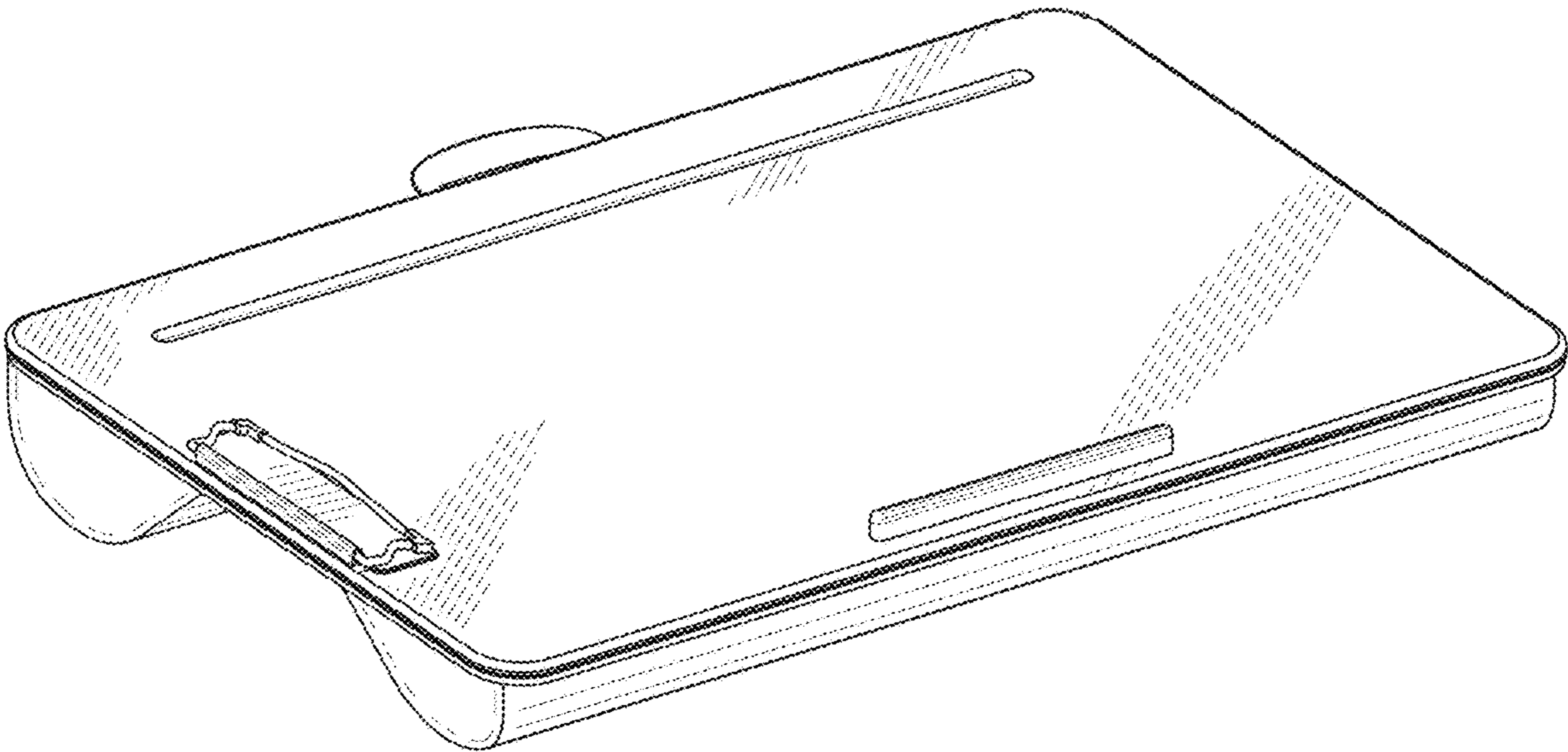


Fig. 1

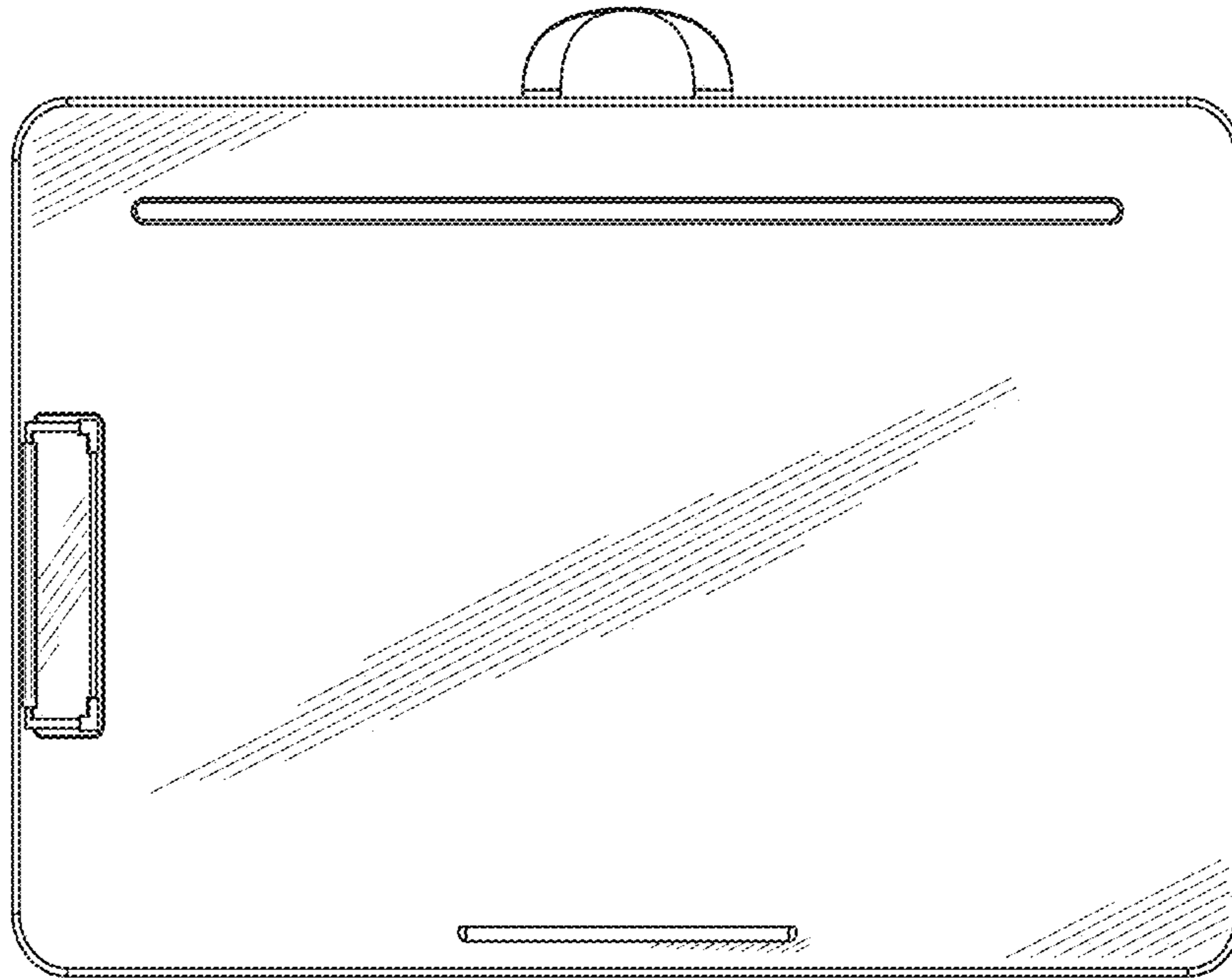


Fig. 2

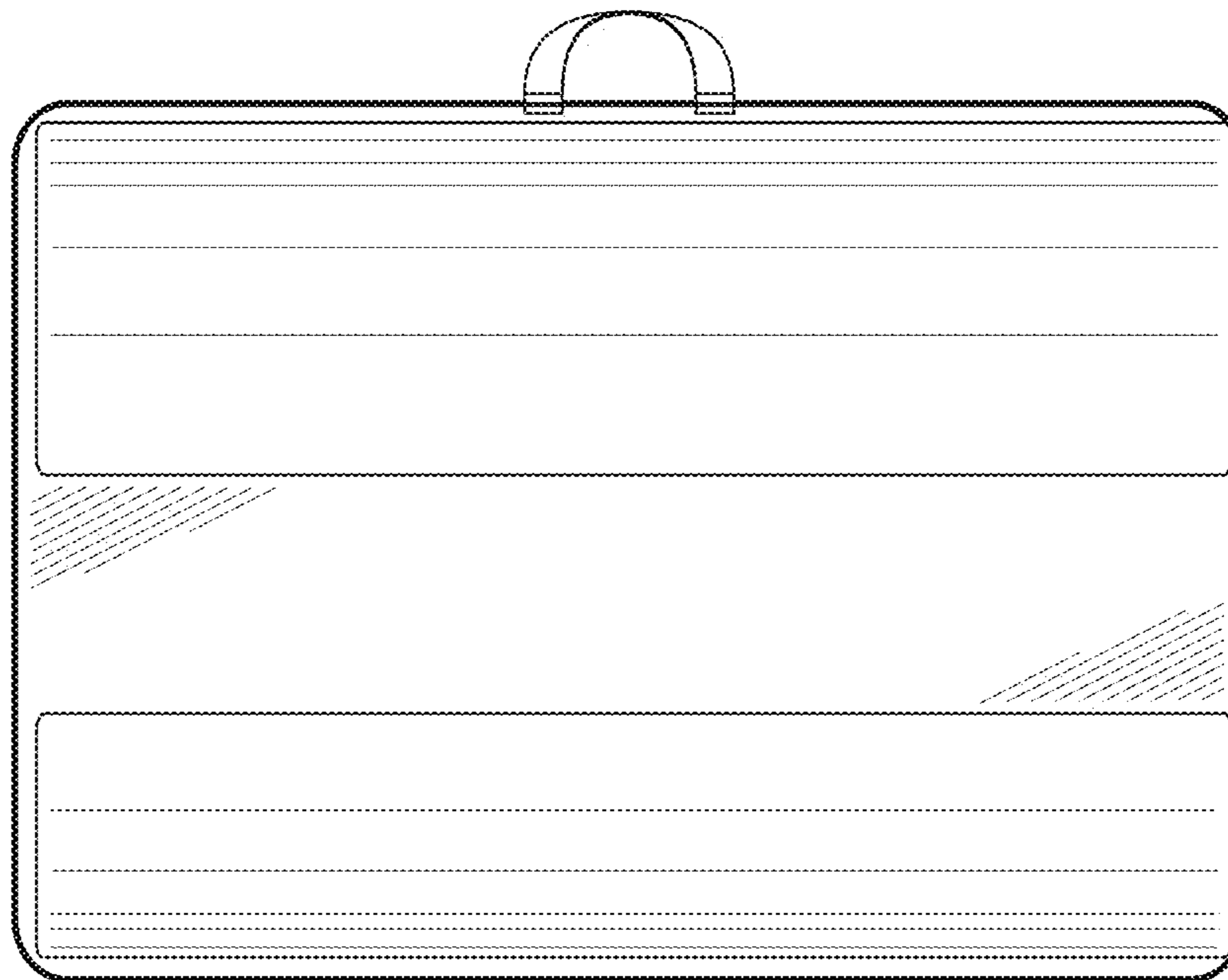


Fig. 3

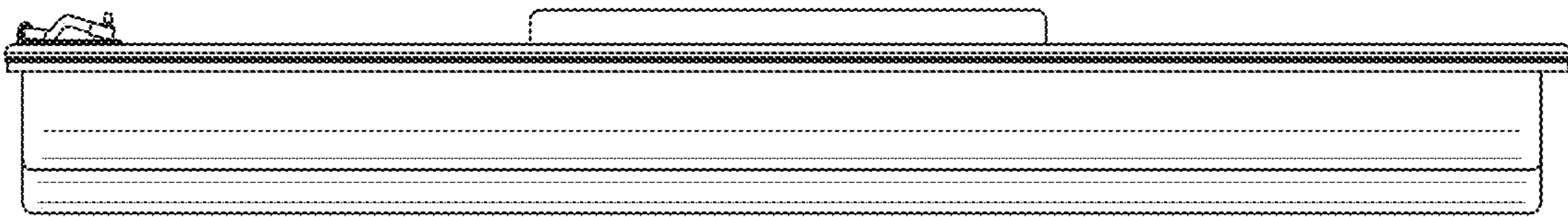


Fig. 4

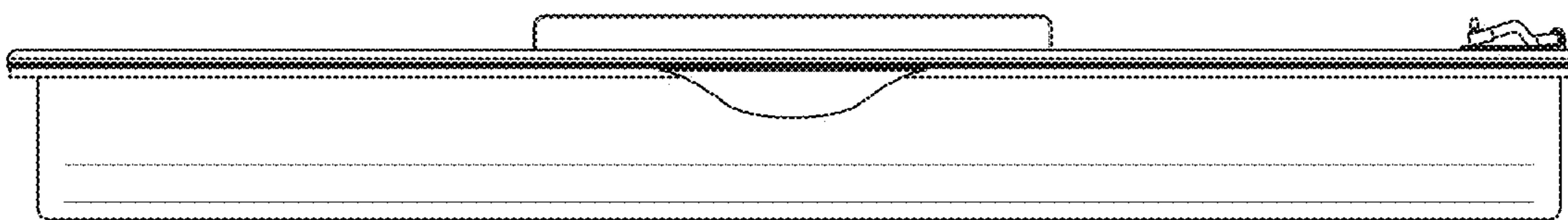


Fig. 5

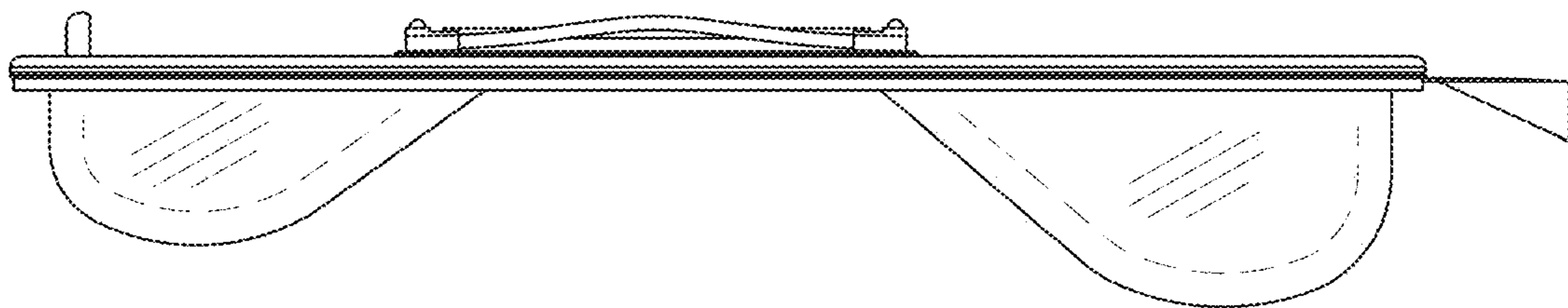


Fig. 6

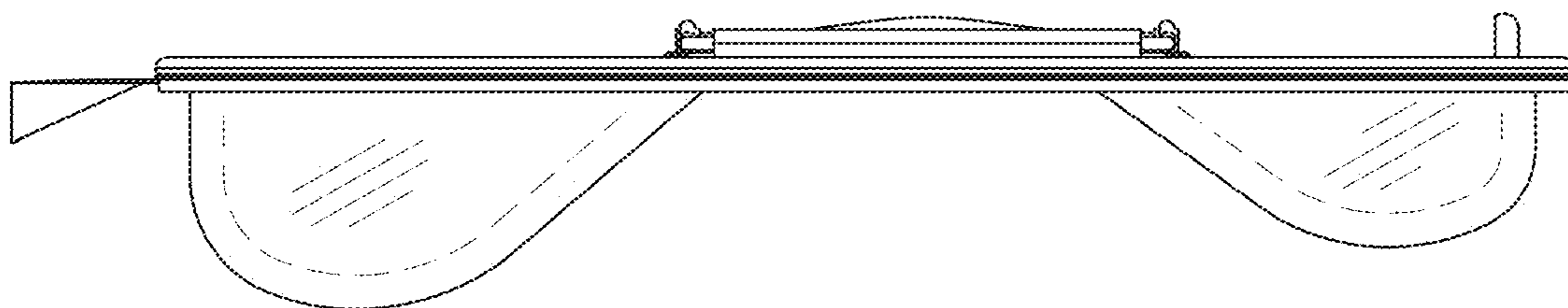


Fig. 7