



US00D912428S

(12) **United States Design Patent** (10) **Patent No.:** **US D912,428 S**
Li (45) **Date of Patent:** **** Mar. 9, 2021**

- (54) **CHAIR**
- (71) Applicant: **39F USA INC**, Rancho Cucamonga, CA (US)
- (72) Inventor: **Yuehai Li**, Rancho Cucamonga, CA (US)
- (**) Term: **15 Years**
- (21) Appl. No.: **29/715,875**
- (22) Filed: **Dec. 5, 2019**
- (51) **LOC (13) Cl.** **06-01**
- (52) **U.S. Cl.**
USPC **D6/374**
- (58) **Field of Classification Search**
USPC D6/344, 367, 368, 373, 375, 380, 379, D6/334, 374, 361, 370
CPC A47C 4/48; A47C 3/12; A47C 3/18; A47C 7/44; A47C 7/405; A47C 7/445
See application file for complete search history.

D514,335 S *	2/2006	Patti	D6/334
D580,670 S *	11/2008	Weiss	D6/361
D582,692 S *	12/2008	Kerr	D6/375
D610,817 S *	3/2010	Degenhardt	D6/334
D661,918 S *	6/2012	Ciani	D6/375
D698,169 S *	1/2014	Caldwell	D6/370
D759,987 S *	6/2016	Dong	D6/375
D825,949 S *	8/2018	Bouroullec	D6/374
D845,660 S *	4/2019	Bray	D6/375
D863,806 S *	10/2019	Maly	D6/375
D885,073 S *	5/2020	Wang	D6/374
D897,128 S *	9/2020	Killinger	D6/381
D899,127 S *	10/2020	Slettvoll	D6/374
2011/0304183 A1 *	12/2011	van Hekken	A47C 7/44 297/313

* cited by examiner

Primary Examiner — Kevin K Rudzinski
Assistant Examiner — Paul D Bohannon
(74) *Attorney, Agent, or Firm* — Feng Qian

(57) **CLAIM**

The ornamental design for a chair, as shown and described.

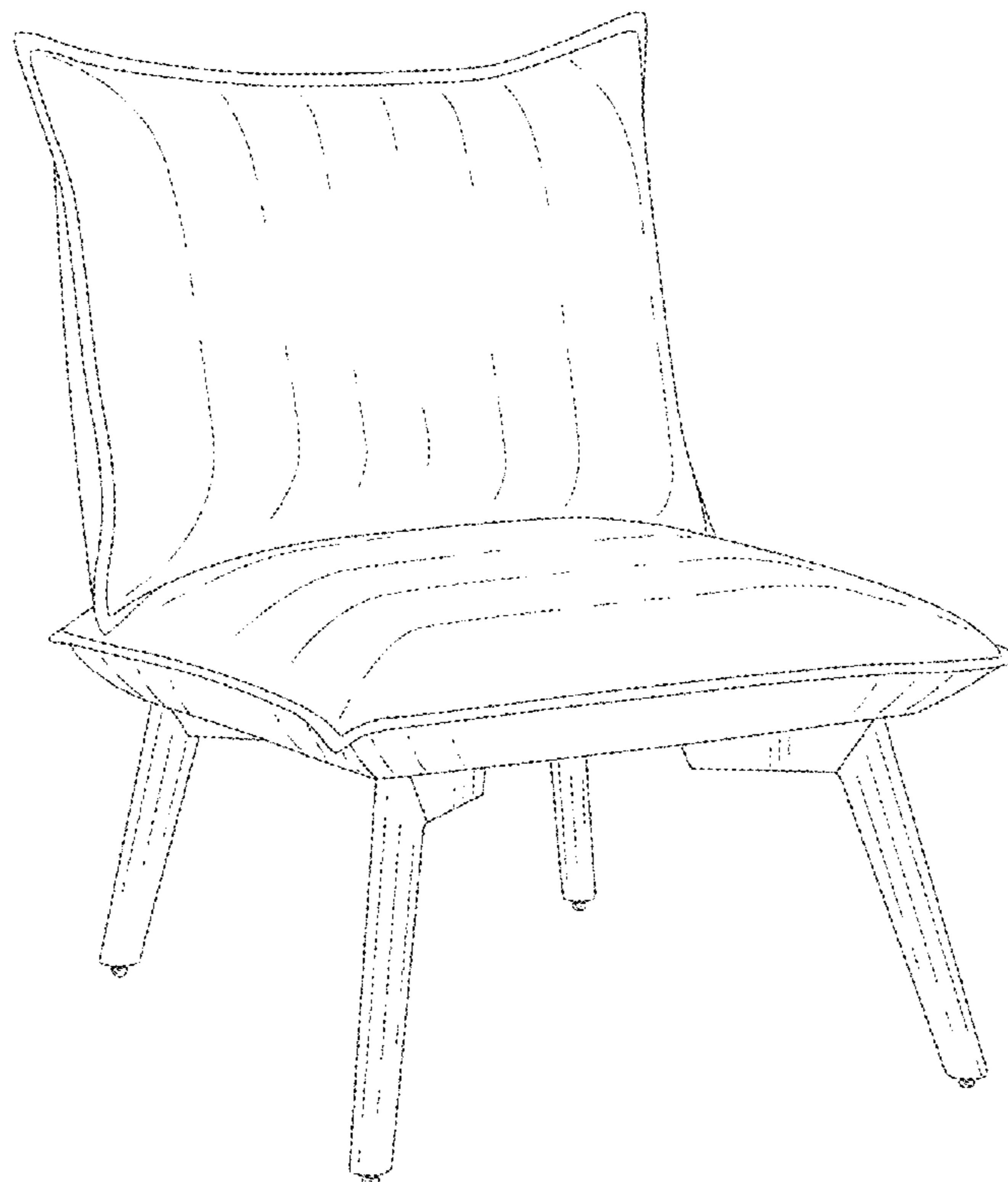
DESCRIPTION

FIG. 1 is a front perspective view of a chair showing my new design;
FIG. 2 is a front elevation view thereof;
FIG. 3 is a rear elevation view thereof;
FIG. 4 is a left-side elevation view thereof;
FIG. 5 is a right-side elevation view thereof;
FIG. 6 is a top plan view thereof; and,
FIG. 7 is a bottom plan view thereof.

1 Claim, 7 Drawing Sheets

(56) **References Cited**
U.S. PATENT DOCUMENTS

D222,452 S *	10/1971	Bertran	D6/375
D235,236 S *	6/1975	Prizlow	D6/375
D251,461 S *	4/1979	Gageby	D6/375
D264,645 S *	6/1982	Arnesen	D6/367
D280,473 S *	9/1985	Parker	D6/370
D320,315 S *	10/1991	Totzek	D6/367
D393,752 S *	4/1998	Maly	D6/334
D457,005 S *	5/2002	Mourgue	D6/334
D462,537 S *	9/2002	Werner	D6/375



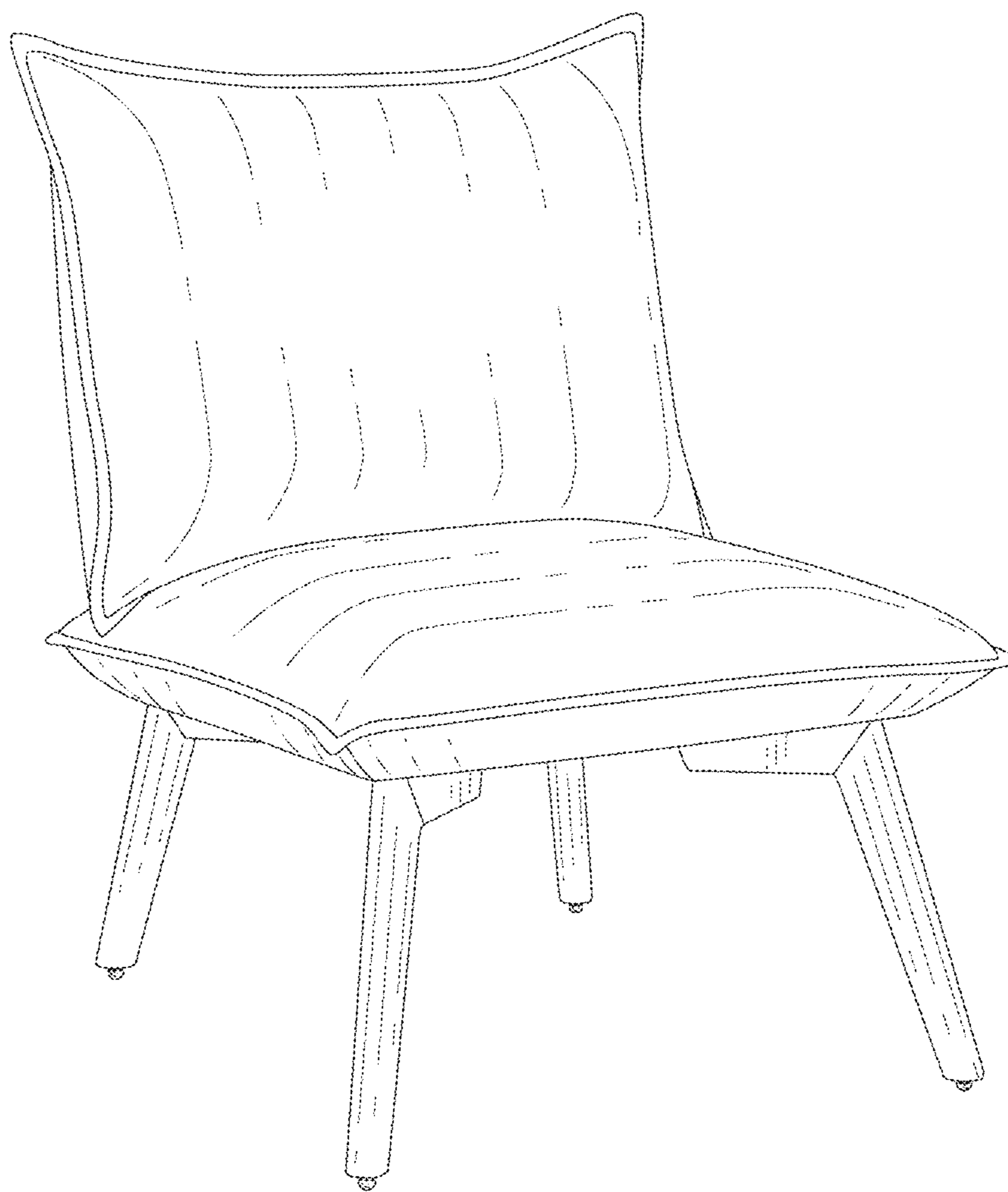


Fig.1

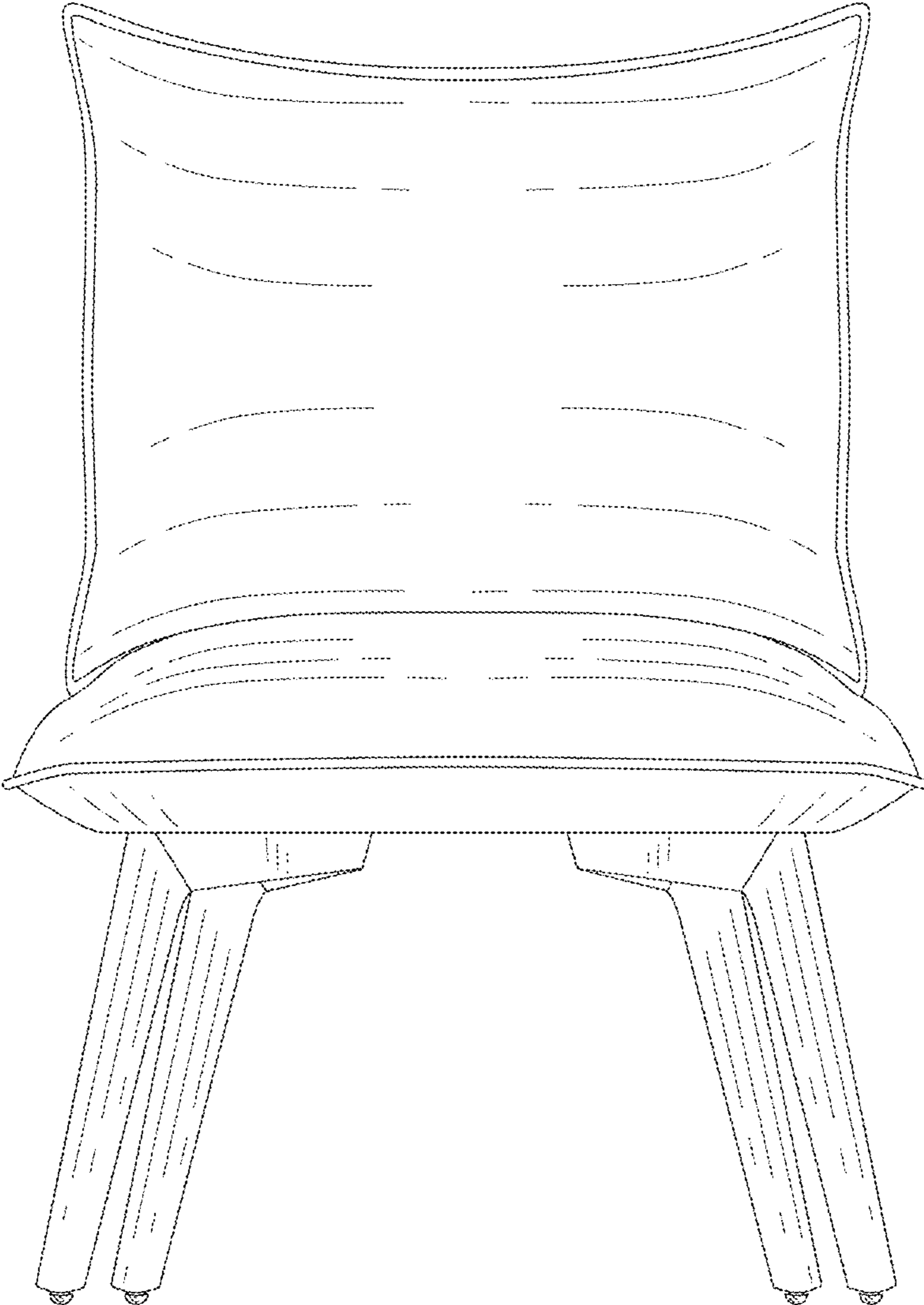


Fig.2

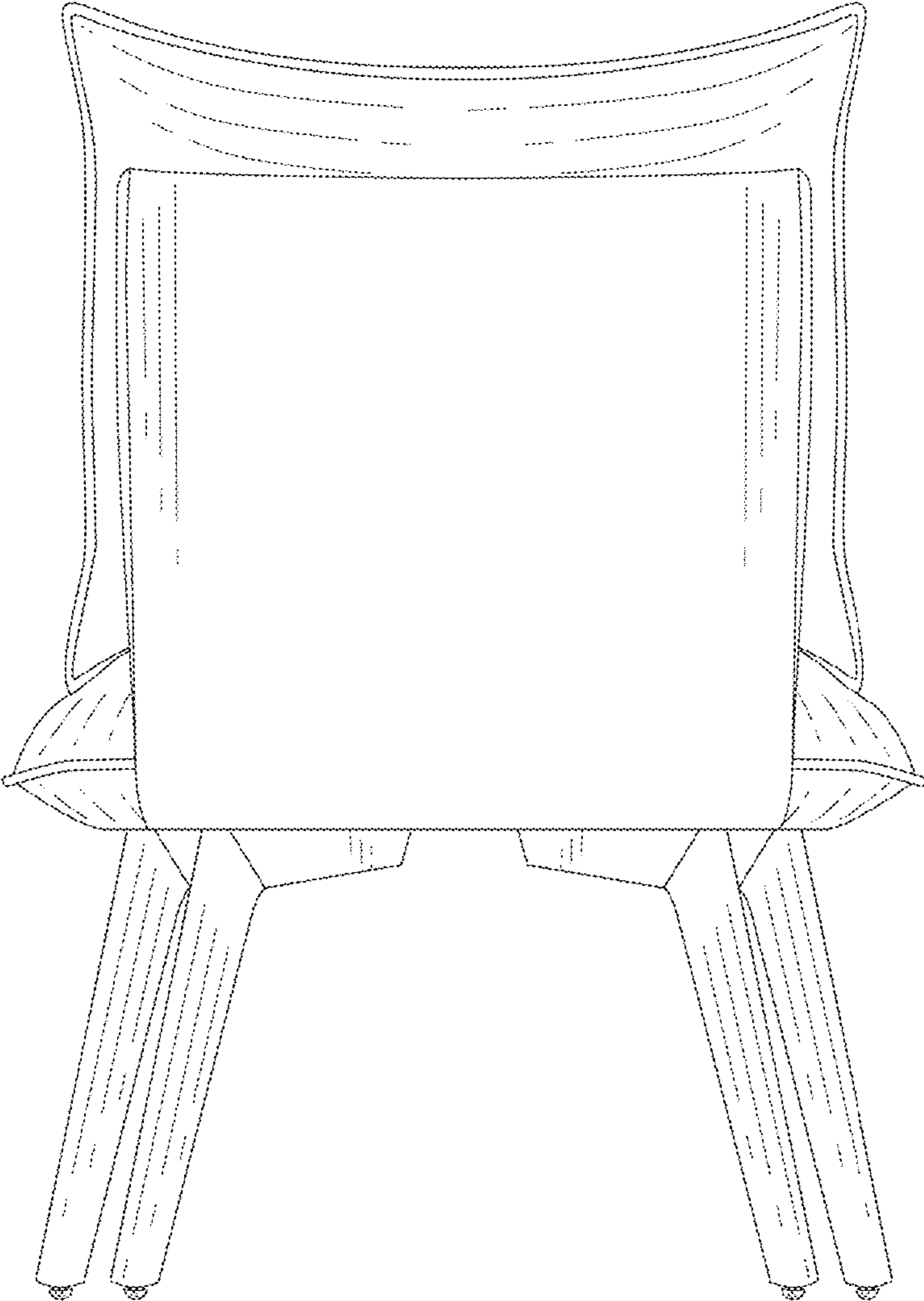


Fig.3

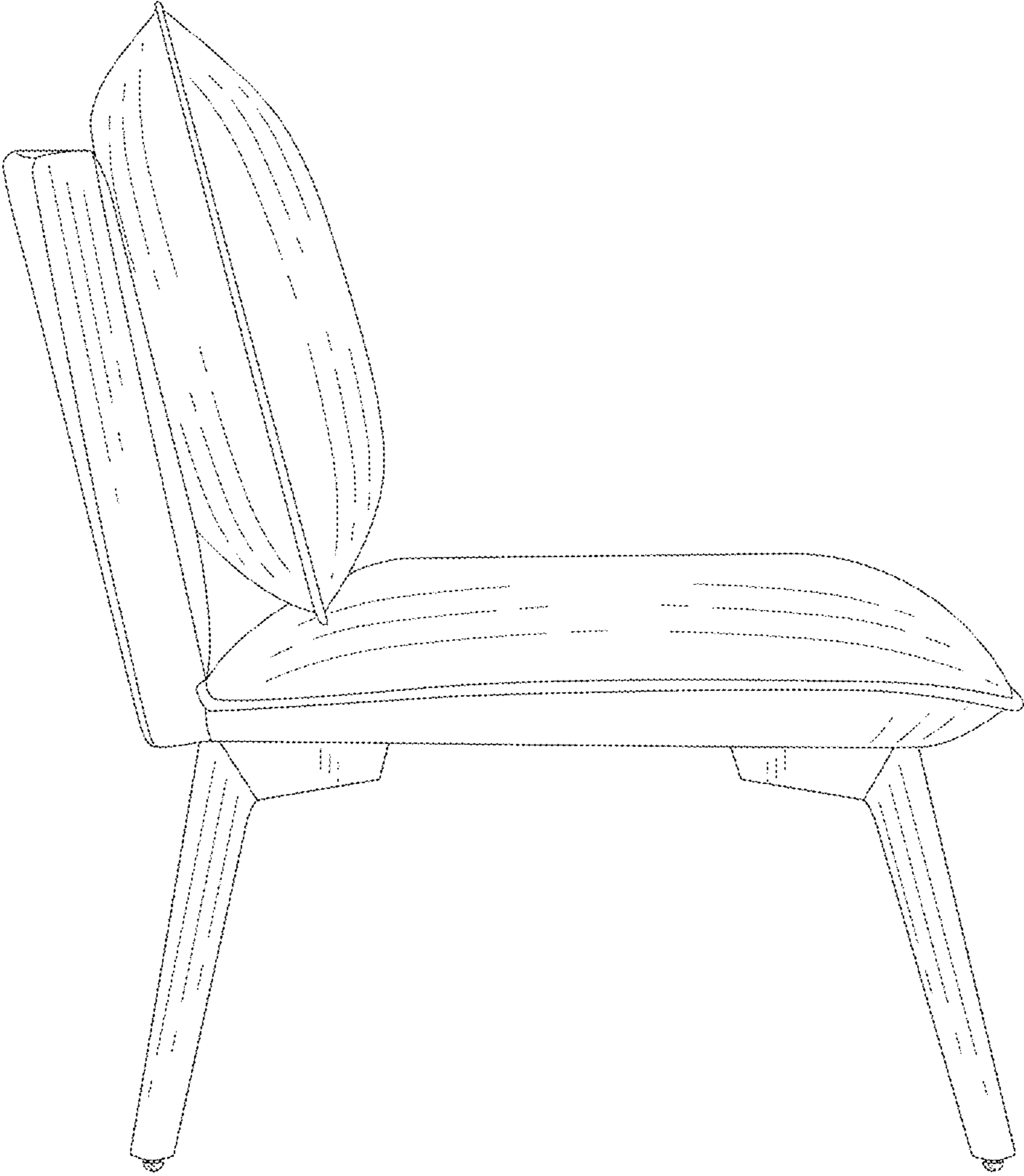


Fig.4

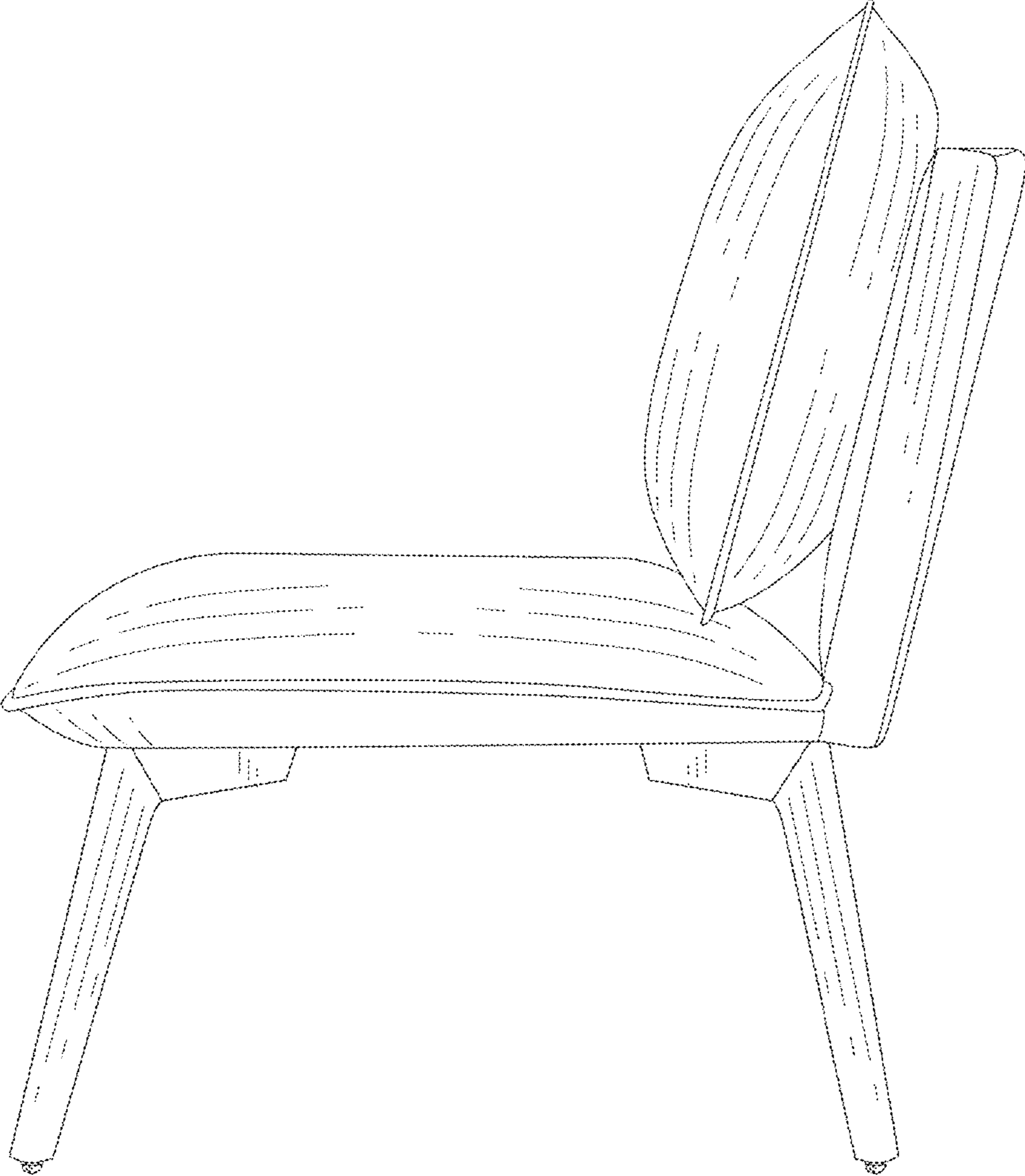


Fig.5

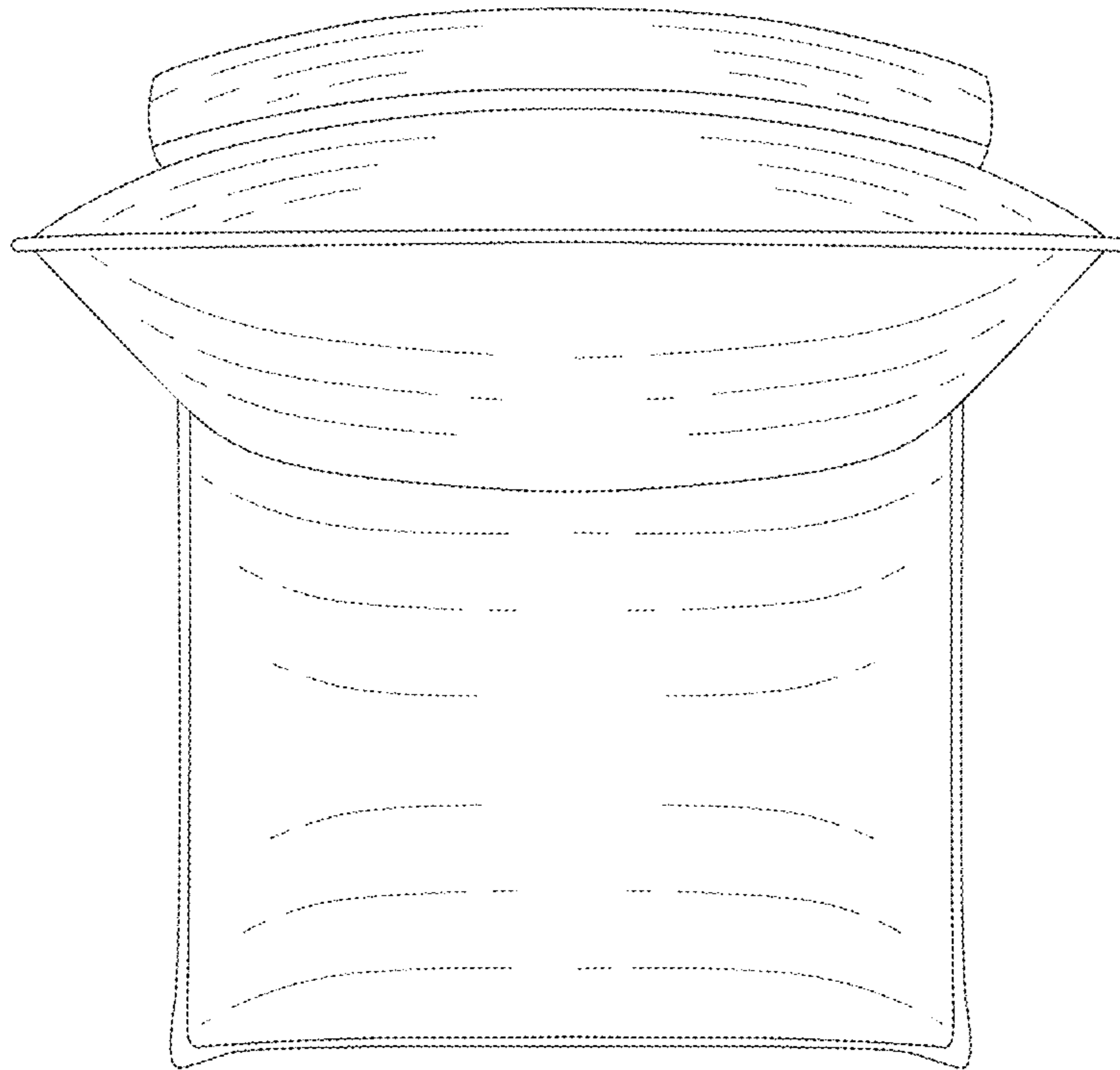


Fig.6

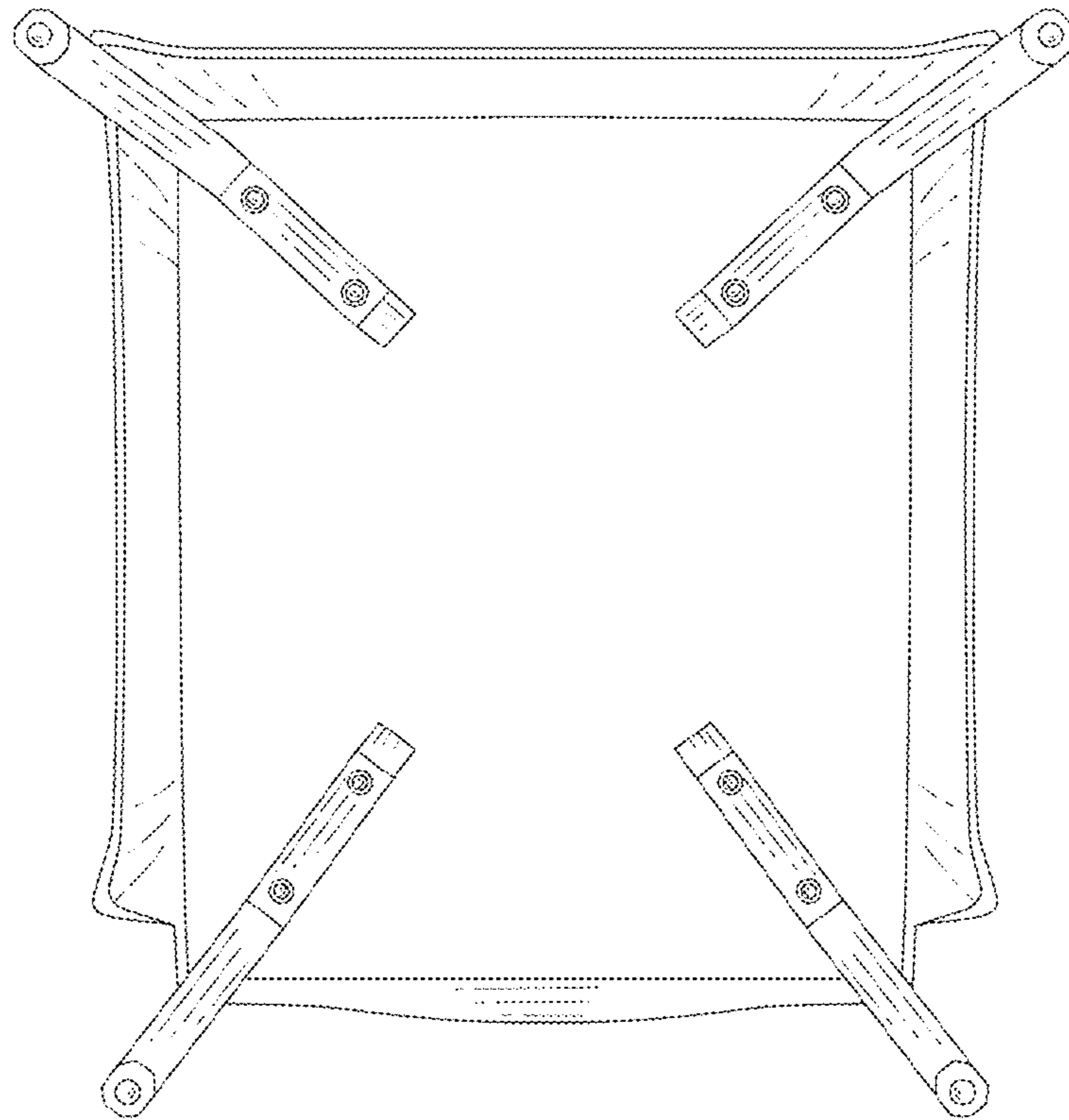


Fig.7