



US00D912423S

(12) **United States Design Patent**
Sullivan et al.

(10) **Patent No.:** **US D912,423 S**
(45) **Date of Patent:** **** *Mar. 9, 2021**

(54) **PORTABLE CHAIR**

(71) Applicant: **YETI Coolers, LLC**, Austin, TX (US)

(72) Inventors: **Derek G. Sullivan**, Austin, TX (US);
Andrew J. Winterhalter, Austin, TX (US);
John W. Dow, Austin, TX (US);
Donald Edward Desroches, Austin, TX (US)

(73) Assignee: **YETI Coolers, LLC**, Austin, TX (US)

(*) Notice: This patent is subject to a terminal disclaimer.

(**) Term: **15 Years**

(21) Appl. No.: **29/676,771**

(22) Filed: **Jan. 14, 2019**

(51) **LOC (13) Cl.** **06-01**

(52) **U.S. Cl.**
USPC **D6/368**

(58) **Field of Classification Search**
USPC D6/29, 334, 367-376, 358-366, 353,
D6/335-340, 352, 377-383, 392-395,
D6/710-712, 716, 716.1, 716.2, 716.3,
D6/708.24, 716.4, 716.5; 297/440.1,
297/440.21, 452.14
CPC .. A47C 11/00; A47C 4/02; A47C 4/03; A47C
4/08; A47C 4/024; A47C 4/025; A47C
4/028; A47C 5/04; A47C 7/16; A47C
5/12; A47C 7/36; A47C 7/40; A47C
9/007; A47C 13/023; A47C 5/08; A47C
17/175; A47C 13/005; A47C 11/005;
A47C 4/021; A47C 4/286; A47C 1/14;
F16B 5/0012; A47B 47/0075; A47B 3/06
See application file for complete search history.

(56) **References Cited**

U.S. PATENT DOCUMENTS

2,088,644 A 8/1937 Erpelding et al.
3,736,021 A 5/1973 MacLaren

3,881,739 A 5/1975 Laune
4,029,279 A 6/1977 Nakatani
4,077,641 A 3/1978 Perego et al.
4,216,974 A 8/1980 Kassai

(Continued)

FOREIGN PATENT DOCUMENTS

BE 484542 A 9/2010
CN 2102679 U 4/1992

(Continued)

OTHER PUBLICATIONS

Alpha Camp, Alpha Camp Oversized Camping Folding Chair Heavy Duty Steel Frame, Date first available May 3, 2019, [online] retrieved Jun. 1, 2020, available from internet, www.amazon.com (Year: 2019).*

(Continued)

Primary Examiner — Keli L Hill
Assistant Examiner — Sara S Sahneh
(74) *Attorney, Agent, or Firm* — Banner & Witcoff, Ltd.

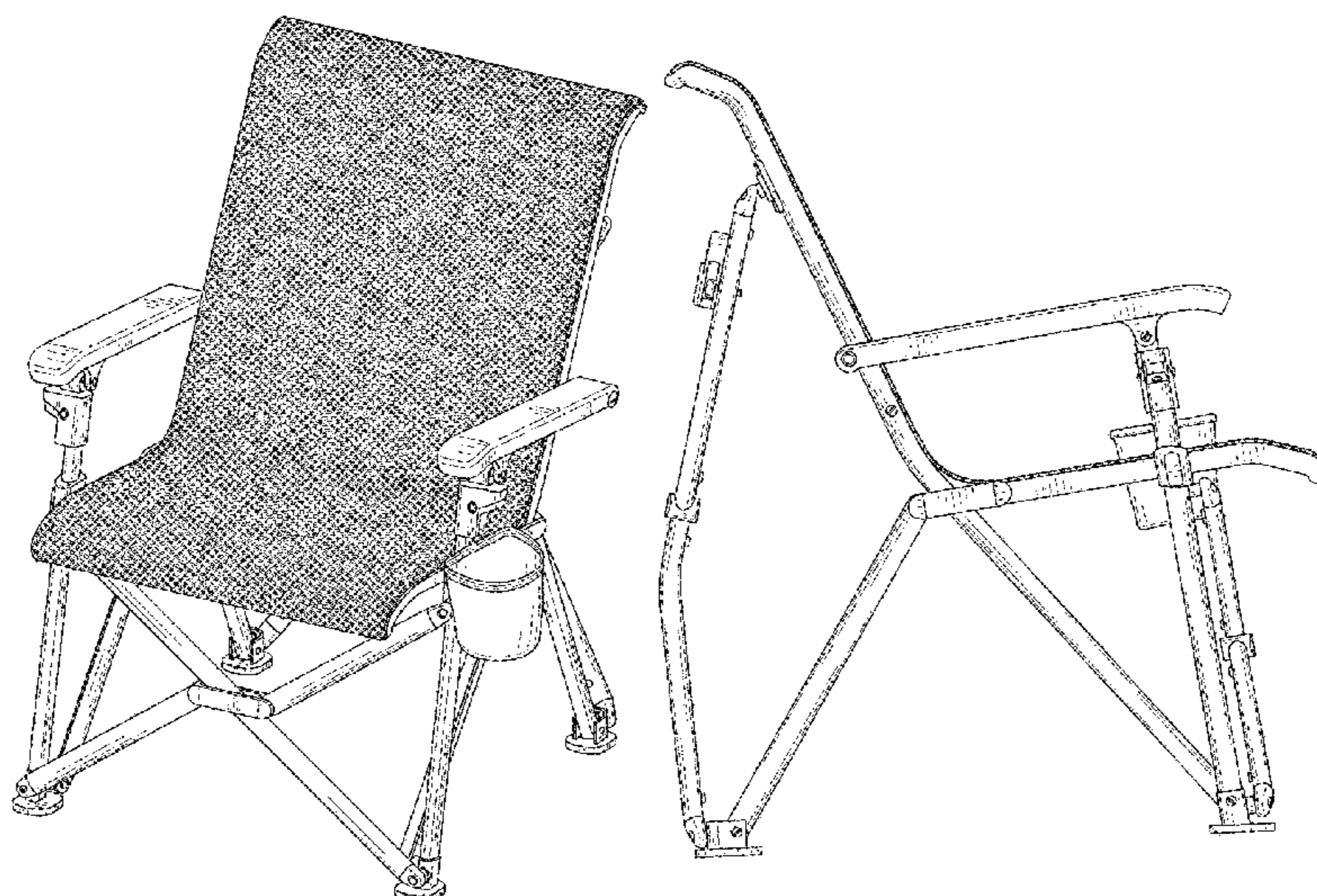
(57) **CLAIM**

The ornamental design for a portable chair, as shown and described.

DESCRIPTION

FIG. 1 is a top, front, right perspective view of a portable chair showing our new design;
FIG. 2 is a front view thereof;
FIG. 3 is a rear view thereof;
FIG. 4 is a right side view thereof;
FIG. 5 is a left side view thereof;
FIG. 6 is a top view thereof; and,
FIG. 7 is a bottom view thereof.
The broken line showing of portable chair is for the purpose of illustrating portions of the article and forms no part of the claimed design.

1 Claim, 7 Drawing Sheets



(56)

References Cited

U.S. PATENT DOCUMENTS

4,232,897 A 11/1980 Maclaren et al.
 4,335,893 A 6/1982 Carmichael et al.
 4,545,599 A 10/1985 Kassai
 4,596,484 A 6/1986 Nakatani
 4,761,092 A 8/1988 Nakatani
 4,932,622 A 6/1990 Hayakawa
 5,058,950 A 10/1991 Mann
 5,348,415 A 9/1994 Carlsson
 5,769,447 A 6/1998 Huang
 5,775,352 A 7/1998 Obitts
 5,851,052 A 12/1998 Gustafsson
 5,863,061 A 1/1999 Ziegler et al.
 6,082,813 A 7/2000 Chen
 D431,382 S * 10/2000 Eloge D6/368
 D432,325 S * 10/2000 Zheng D6/368
 6,247,749 B1 6/2001 Yu
 6,270,156 B1 8/2001 Metzger et al.
 6,371,553 B1 4/2002 Tang
 6,402,230 B1 6/2002 Tang
 6,419,311 B1 7/2002 Tang
 6,471,287 B1 10/2002 Liu
 6,536,723 B1 3/2003 Nakatani
 6,598,841 B2 7/2003 Erickson et al.
 6,601,912 B1 * 8/2003 Chen A47C 4/286
 297/38
 6,629,722 B1 10/2003 Tang
 6,644,731 B2 11/2003 Tang
 D500,605 S * 1/2005 Schmidt D6/336
 6,840,574 B1 1/2005 Wu
 6,908,249 B2 6/2005 Tomm
 6,913,231 B2 7/2005 Speggiorin
 7,017,985 B2 3/2006 Chen
 7,100,975 B1 9/2006 Zheng
 D532,621 S * 11/2006 Lin D6/368
 7,500,715 B1 3/2009 Chen
 7,641,276 B1 1/2010 Chen
 8,100,429 B2 1/2012 Longenecker et al.
 8,104,838 B2 1/2012 Tsai
 8,251,442 B2 8/2012 Grace
 8,459,741 B2 6/2013 Mazzola et al.
 8,678,490 B2 3/2014 Chen
 8,696,052 B2 4/2014 Zhu
 8,714,643 B2 5/2014 Obolewicz et al.
 8,727,655 B2 5/2014 Lu et al.
 8,820,825 B2 9/2014 Yang
 8,864,222 B2 10/2014 Grace
 8,979,192 B2 3/2015 Miller
 9,095,216 B2 8/2015 Miller
 9,451,829 B2 9/2016 Chen
 D806,423 S * 1/2018 Silva D6/368
 9,913,537 B2 3/2018 Piretti
 9,974,388 B1 5/2018 Lv
 9,993,082 B2 6/2018 Choi
 9,993,083 B2 6/2018 Choi
 10,104,971 B1 10/2018 Yang
 10,292,503 B2 5/2019 Brown
 D855,343 S * 8/2019 Haingaertner D6/368
 2003/0025360 A1 2/2003 Liu
 2003/0025361 A1 2/2003 Liu
 2006/0186712 A1 8/2006 Lu et al.
 2007/0228780 A1 10/2007 Grace
 2009/0146468 A1 6/2009 Schneider
 2009/0174230 A1 7/2009 Chen
 2010/0171342 A1 7/2010 Chen

2010/0295338 A1 11/2010 Crowe
 2010/0314914 A1 12/2010 Mazzola et al.
 2011/0169305 A1 7/2011 Ayre et al.
 2014/0097647 A1 4/2014 Grace
 2014/0217784 A1 8/2014 Chen
 2014/0306493 A1 10/2014 Obolewicz et al.
 2016/0081479 A1 3/2016 Lin
 2016/0100688 A1 4/2016 Grace
 2016/0135600 A1 5/2016 Chen
 2017/0202355 A1 7/2017 Reed
 2019/0090667 A1 3/2019 Mason et al.
 2019/0104850 A1 * 4/2019 Frankel A47C 4/286
 2019/0216222 A1 * 7/2019 Winterhalter A47C 4/42
 2019/0298066 A1 * 10/2019 Zhu A47C 4/30

FOREIGN PATENT DOCUMENTS

CN 201001527 Y 1/2008
 CN 201492050 U 6/2010
 CN 301297394 8/2010
 CN 301800654 1/2012
 CN 202236165 U 5/2012
 CN 202515069 U 11/2012
 CN 202858412 U 4/2013
 CN 302684929 * 7/2013
 CN 104643681 A 5/2015
 CN 303763101 * 3/2016
 CN 105615364 A 6/2016
 CN 106617546 A 5/2017
 CN 107348734 A 11/2017
 CN 304803670 * 2/2018
 CN 207349221 U 5/2018
 CN 207421059 U 5/2018
 CN 207653880 U 7/2018
 CN 305151099 * 9/2018
 CN 208708874 U 4/2019
 CN 305730506 * 11/2019
 EP 2108284 A1 10/2009
 EP 2123198 A1 11/2009
 EP 2674629 A2 12/2013
 ES 279347 A1 1/1963
 JP 2010099238 A 5/2010
 JP D1550241 5/2019
 JP D1550242 5/2019
 KR 300686541.0000 * 2/2012
 KR 20170099158 A 8/2017
 KR 300993886.0000 * 3/2018
 KR 300993887.0000 2/2019
 NL 1001847 C1 6/1997
 WO 0040122 A1 7/2000
 WO 13029089 A1 3/2013
 WO 2016150254 A1 9/2016
 WO 17133369 A1 8/2017

OTHER PUBLICATIONS

Fundango,Fundango Lumbar Support Strong Stable Heavy Duty Folding Deluxe Camping Chair, [online]retrieved Jun. 1, 2020, available from internet, www.amazon.com (Year: 2020).*
 Yeti, Trailhead Camp Chair, [online]retrieved Jun. 4, 2020, available from internet, https://www.fieldandstreamshop.com/p/yeti-trailhead-camp-chair-20yetutrlhdcmpchrec/20yetutrlhdcmpchrec (Year: 2020).*
 Mar. 21, 2019—(PCT) International Search Report and Written Opinion—App PCT/US2019/013511.

* cited by examiner



FIG. 1

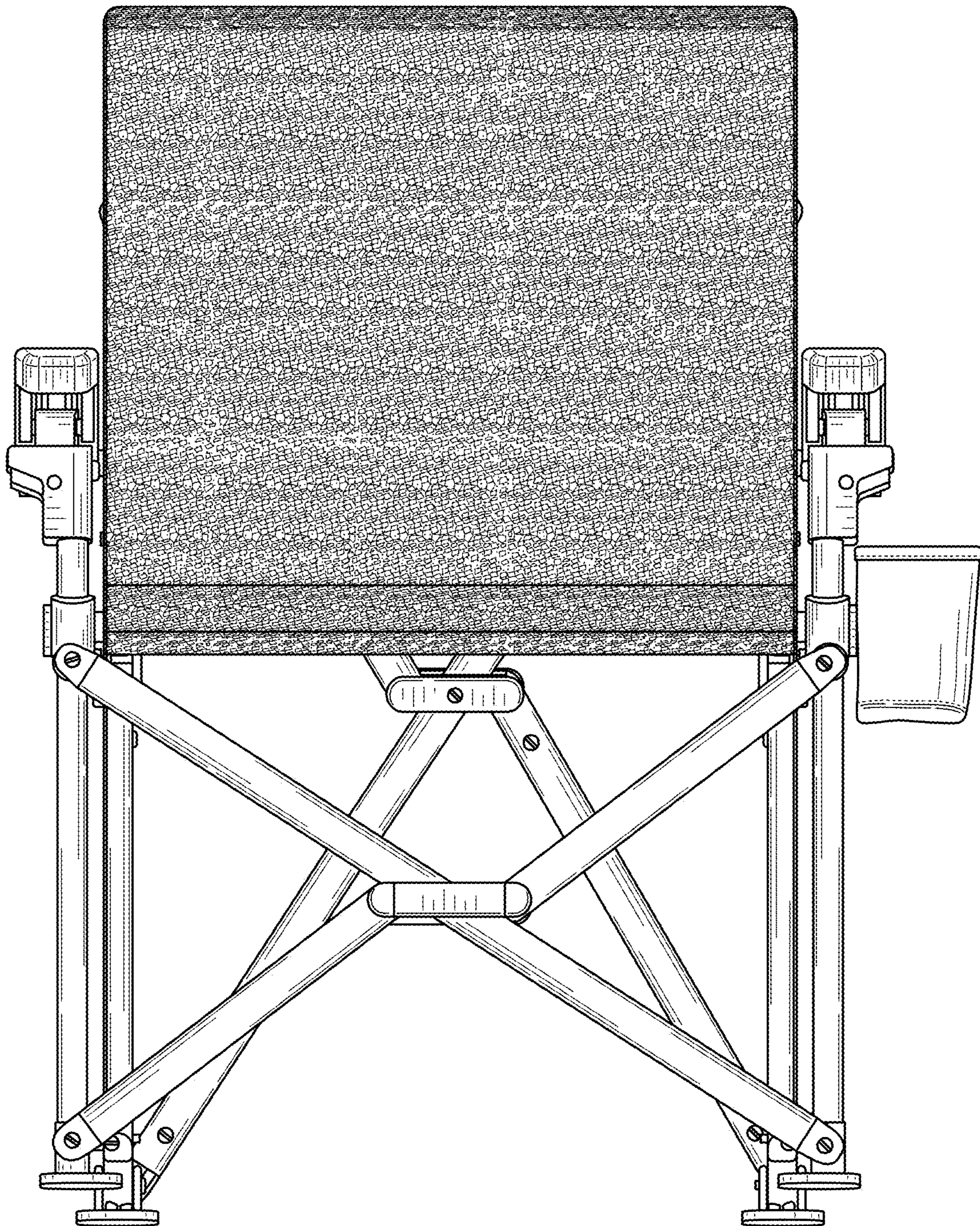


FIG. 2

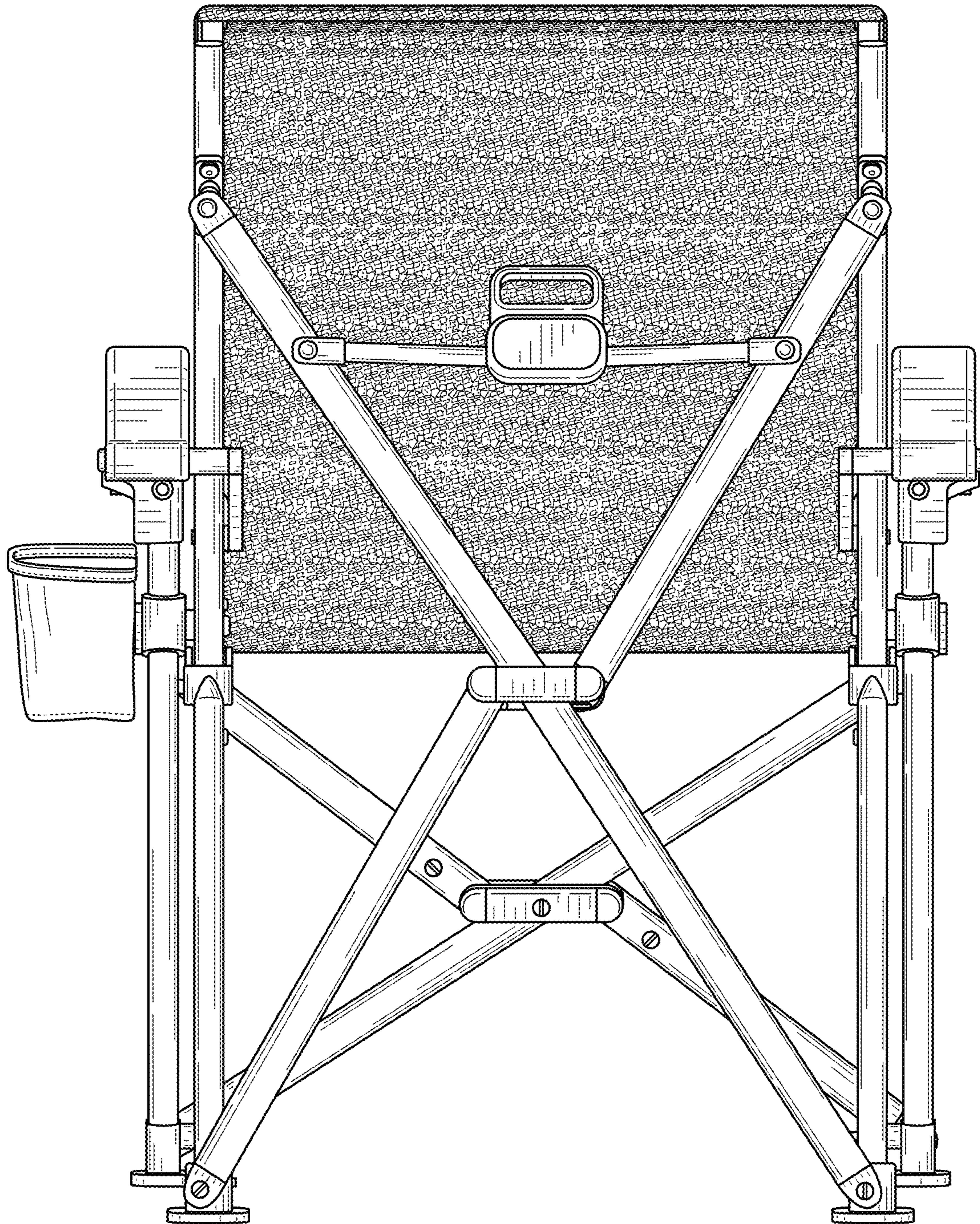


FIG. 3

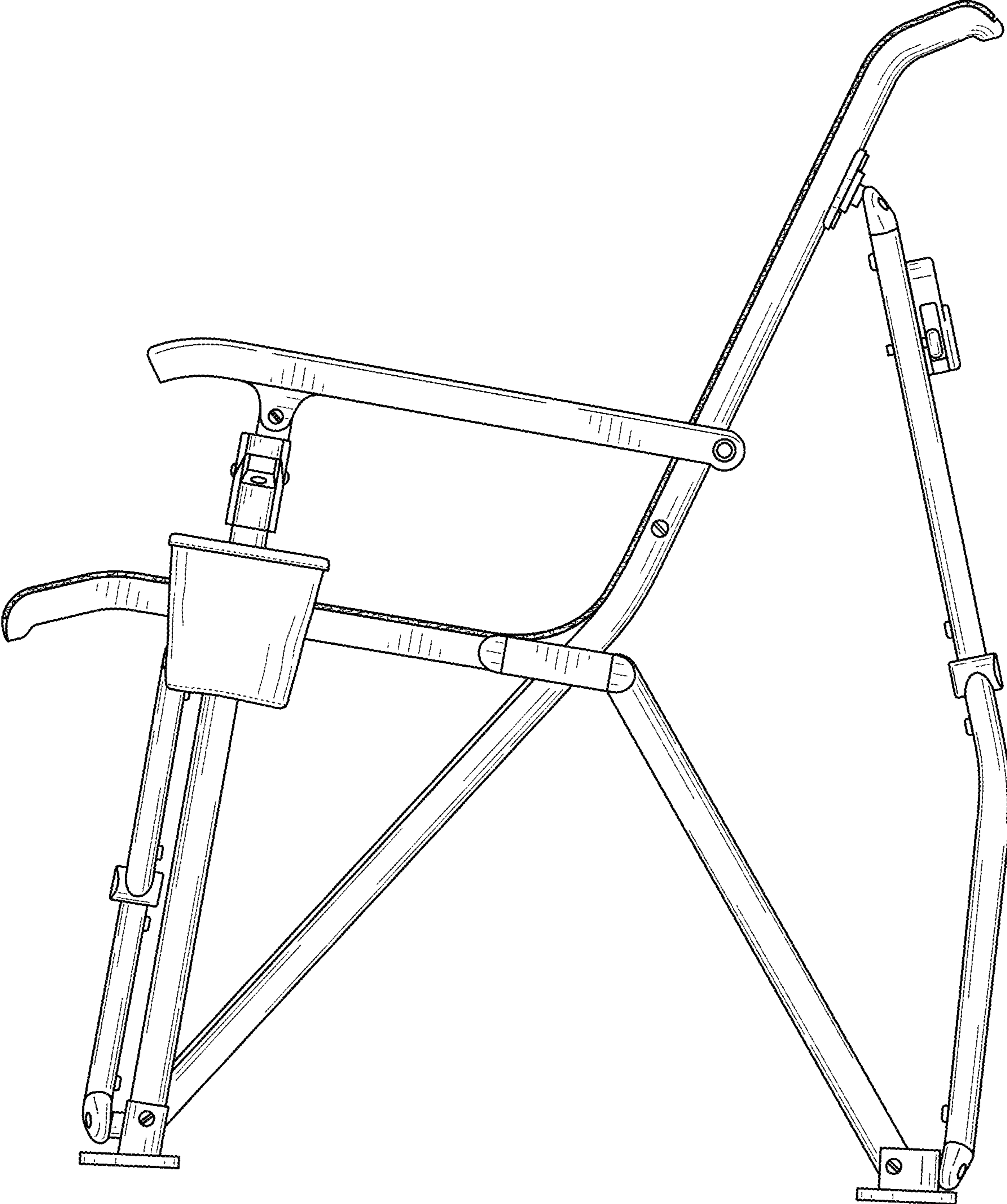


FIG. 4

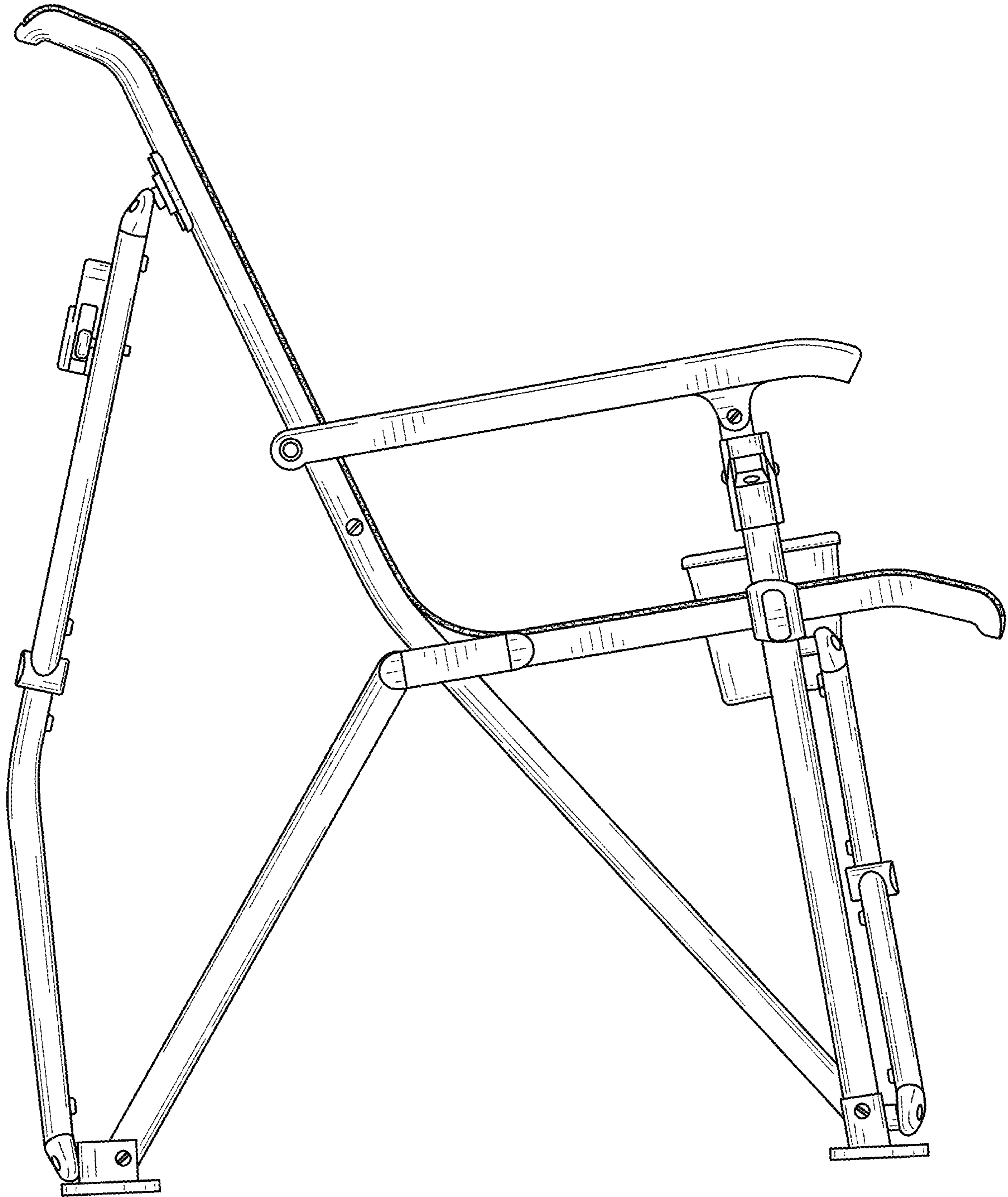


FIG. 5

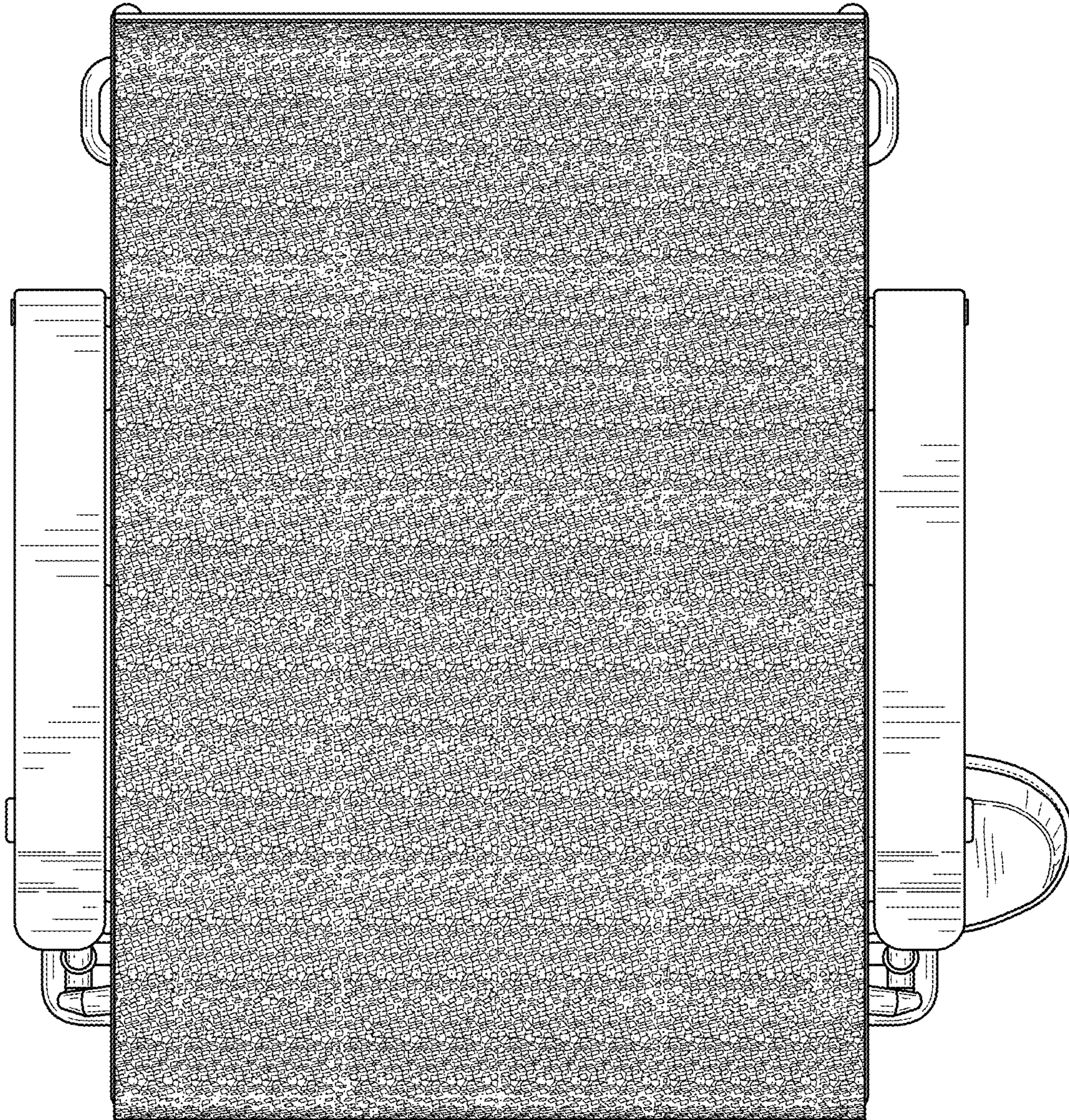


FIG. 6

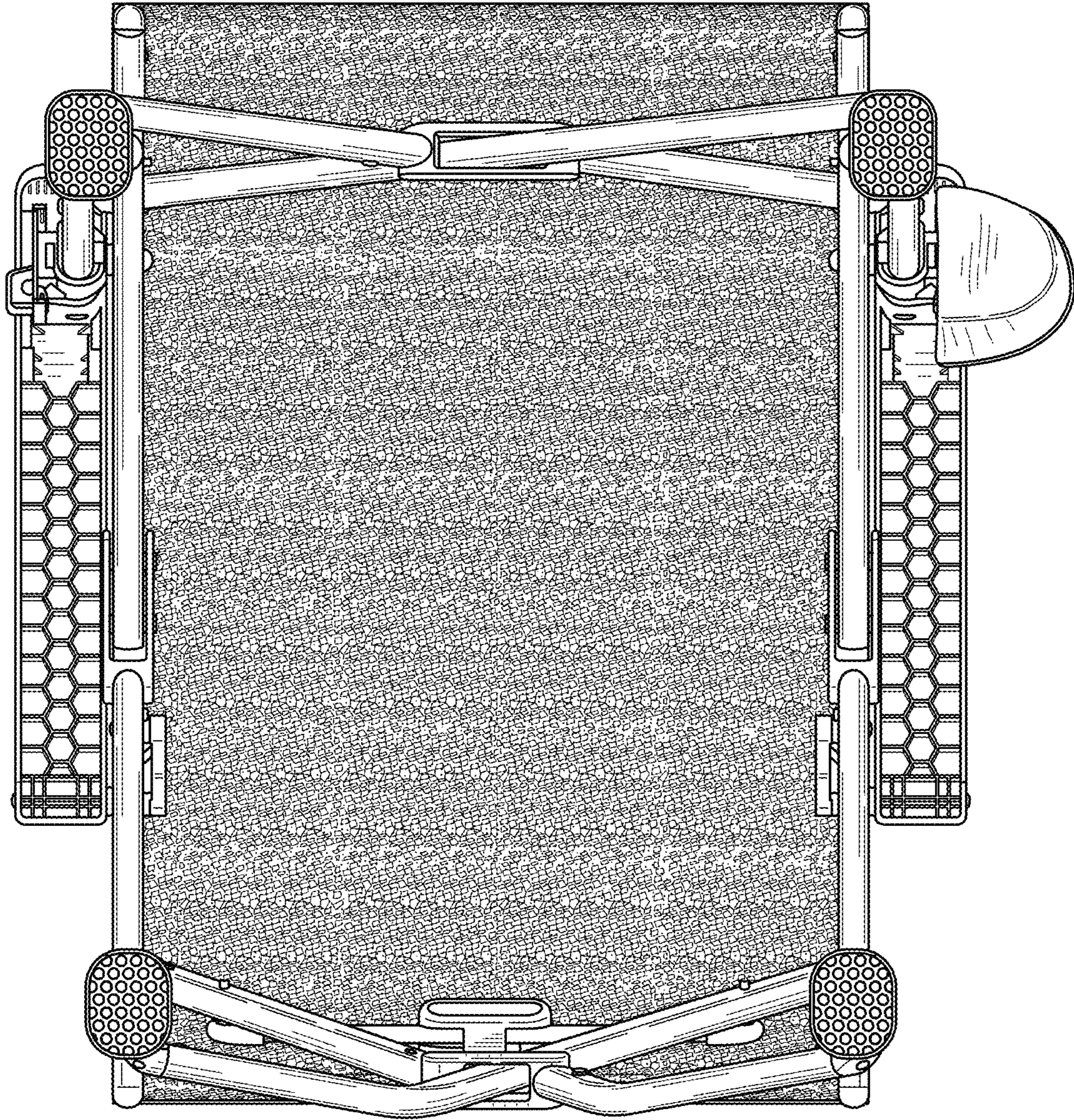


FIG. 7