



US00D912421S

(12) **United States Design Patent**  
**Chen**

(10) **Patent No.:** **US D912,421 S**

(45) **Date of Patent:** **\*\* Mar. 9, 2021**

(54) **CHAIR**

(71) Applicant: **ZHEJIANG ZHONGWEI SMART FURNITURE CO., LTD.**, Zhejiang (CN)

(72) Inventor: **Zheng Chen**, Zhejiang (CN)

(73) Assignee: **ZHEJIANG ZHONGWEI SMART FURNITURE CO., LTD.**, Yueqing (CN)

(\*\*) Term: **15 Years**

(21) Appl. No.: **29/708,660**

(22) Filed: **Oct. 8, 2019**

(30) **Foreign Application Priority Data**

Aug. 26, 2019 (CN) ..... 201930465835.8

(51) **LOC (13) Cl.** ..... **06-01**

(52) **U.S. Cl.**  
USPC ..... **D6/366**

(58) **Field of Classification Search**  
USPC ..... D6/334, 364, 365, 366, 369, 375, 379, D6/716.1, 716.7  
CPC .... A47C 3/12; A47C 3/18; A47C 3/20; A47C 5/02; A47C 7/24; A47C 7/36; A47C 7/46  
See application file for complete search history.

(56) **References Cited**

U.S. PATENT DOCUMENTS

D541,063 S *	4/2007	Su	.....	D6/366
D549,473 S *	8/2007	Wagner	.....	D6/366
D568,624 S *	5/2008	Wen	.....	D6/366
D585,205 S *	1/2009	Wen	.....	D6/366
D645,684 S *	9/2011	Chen	.....	D6/716.4
D750,911 S *	3/2016	Su	.....	D6/366
D755,532 S *	5/2016	Su	.....	D6/366
D841,997 S *	3/2019	Chen	.....	D6/366

\* cited by examiner

*Primary Examiner* — R. Johnson

(74) *Attorney, Agent, or Firm* — Wayne & Ken, LLC

(57) **CLAIM**

The ornamental design for a chair, as shown and described.

**DESCRIPTION**

FIG. 1 is a front elevation view of a chair showing my new design;

FIG. 2 is a back elevation view thereof;

FIG. 3 is a left side view thereof;

FIG. 4 is a right side view thereof;

FIG. 5 is a top plan view thereof;

FIG. 6 is a bottom plan view thereof; and,

FIG. 7 is a perspective view thereof.

The broken lines in the drawing depict environmental subject matter only and form no part of the claimed design.

**1 Claim, 7 Drawing Sheets**



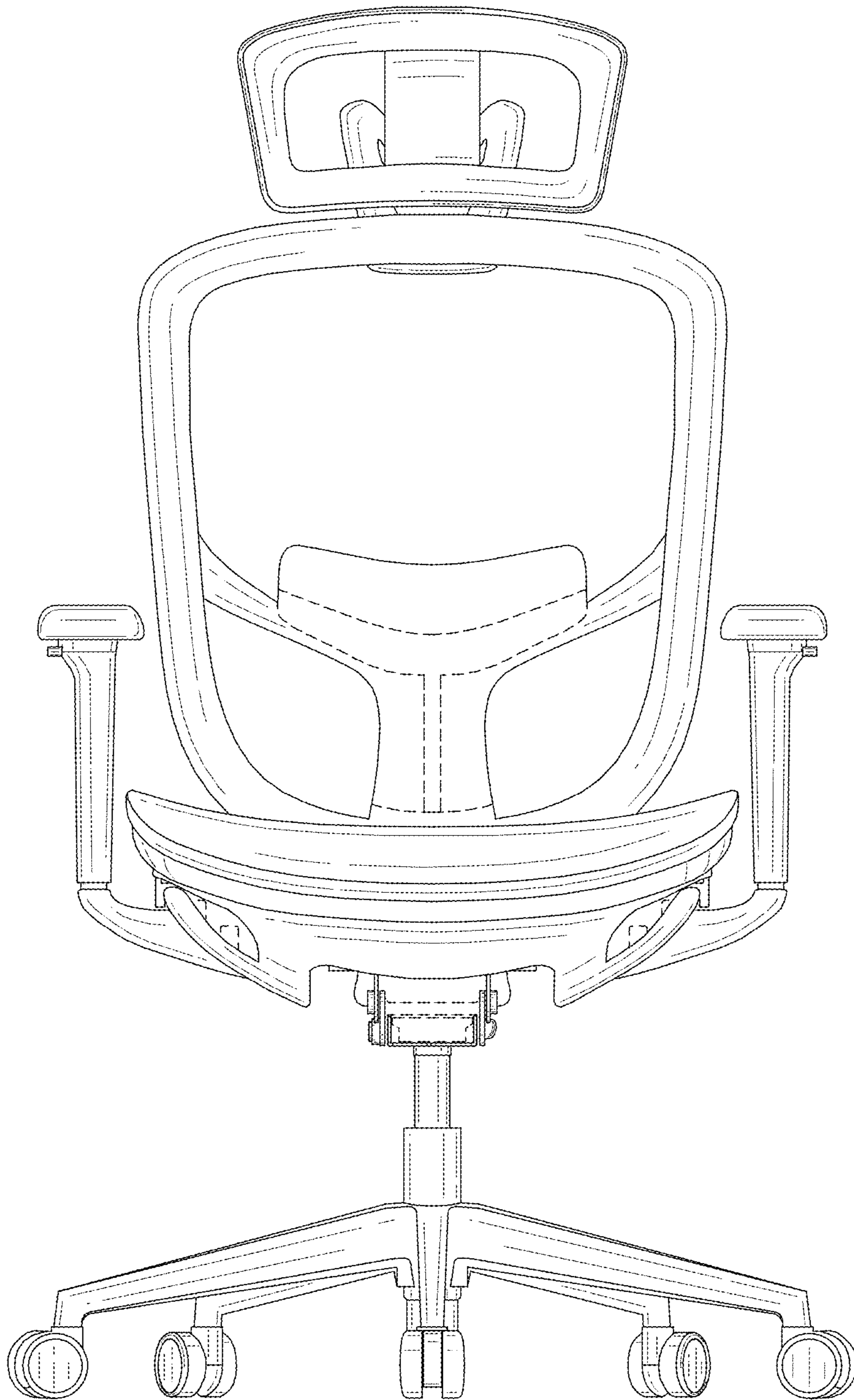


FIG. 1

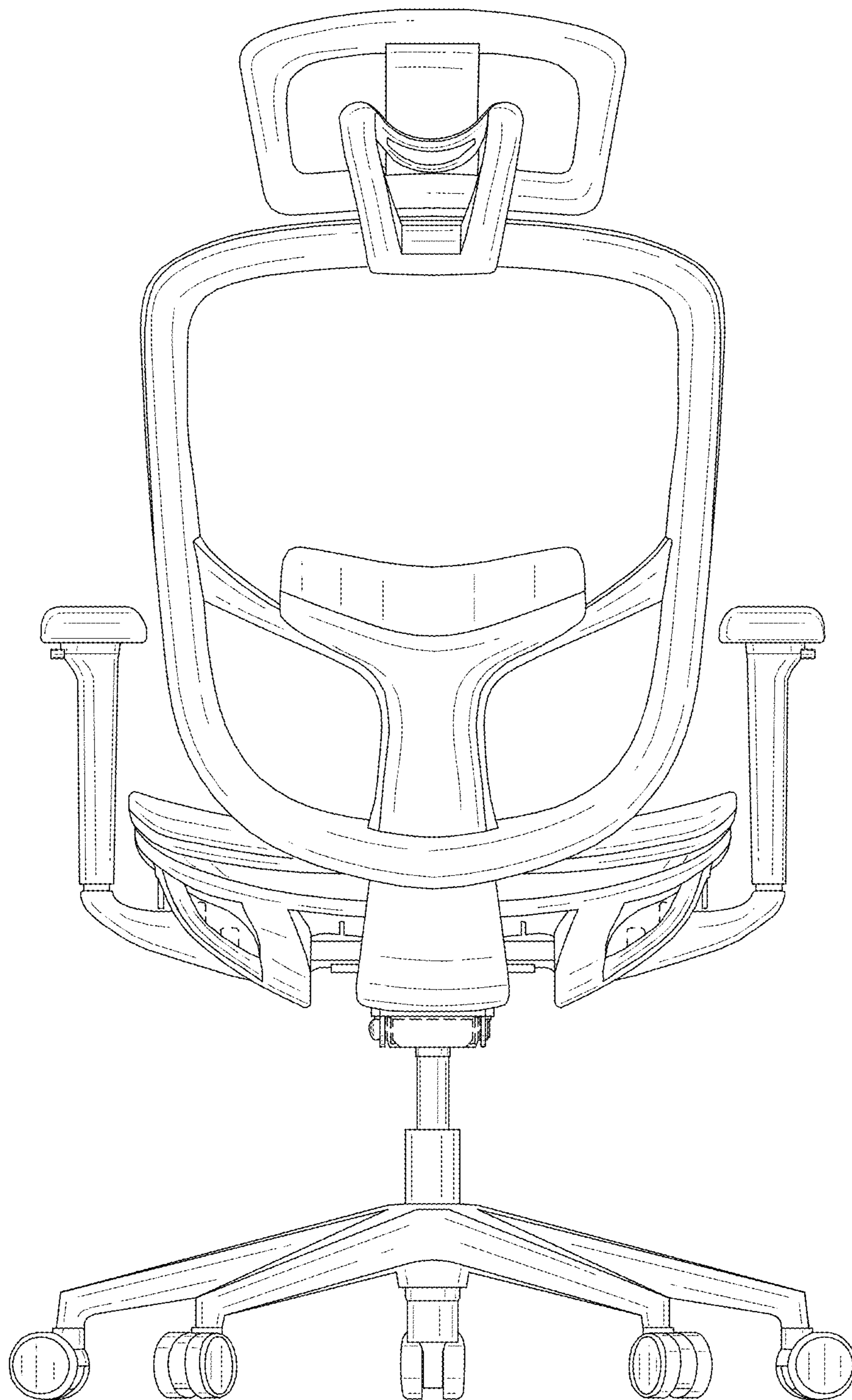


FIG. 2

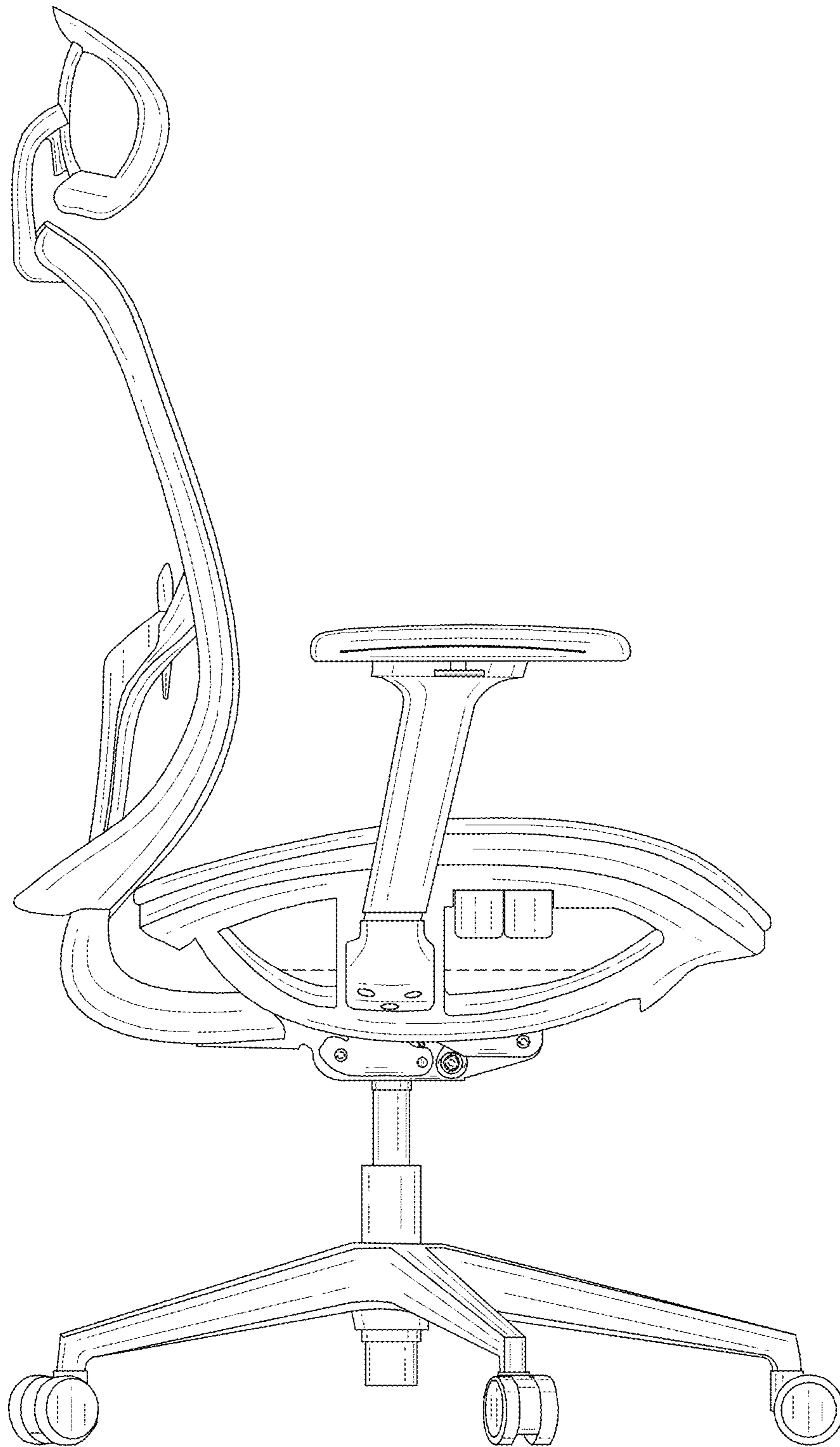


FIG. 3

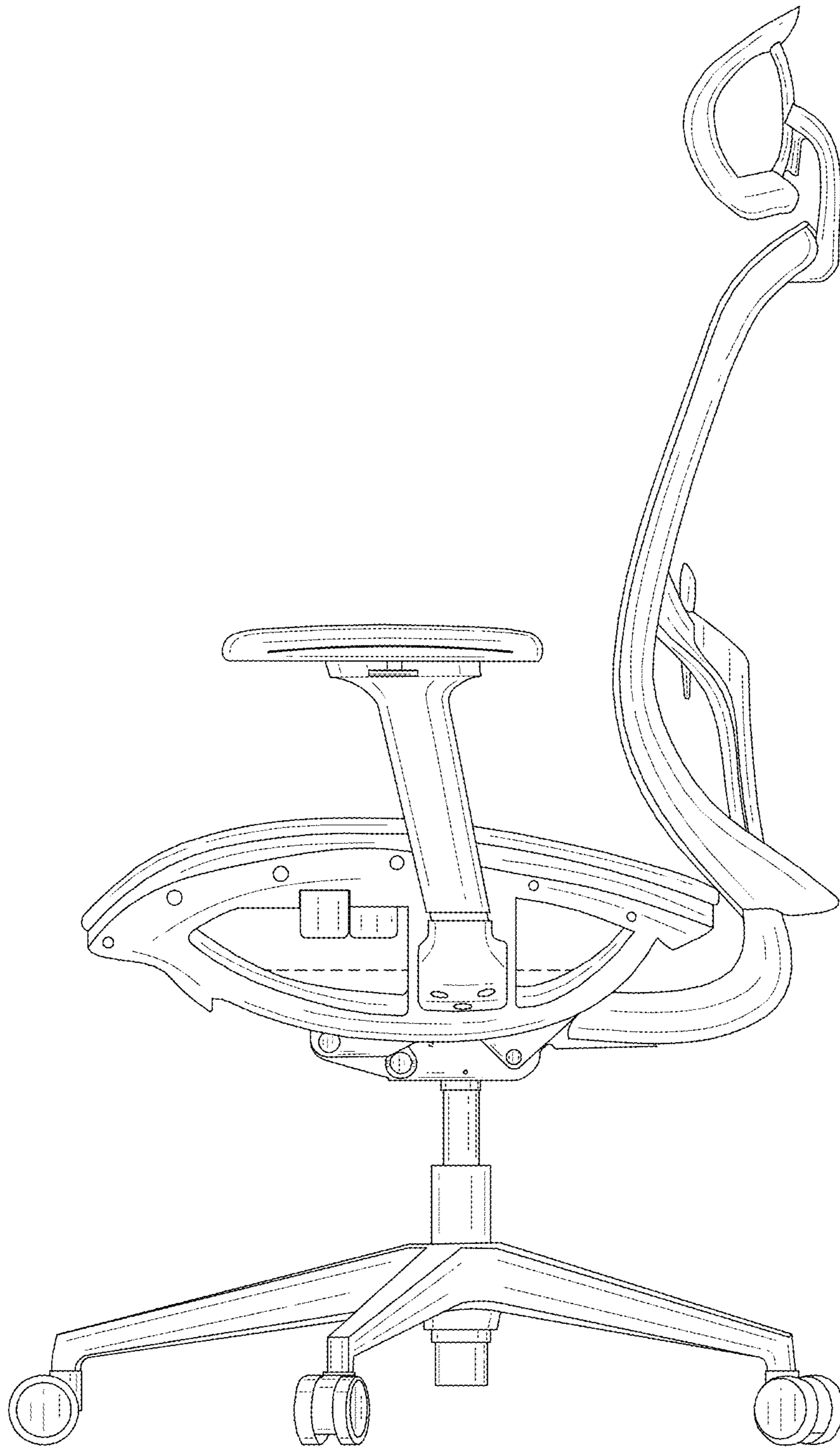


FIG. 4

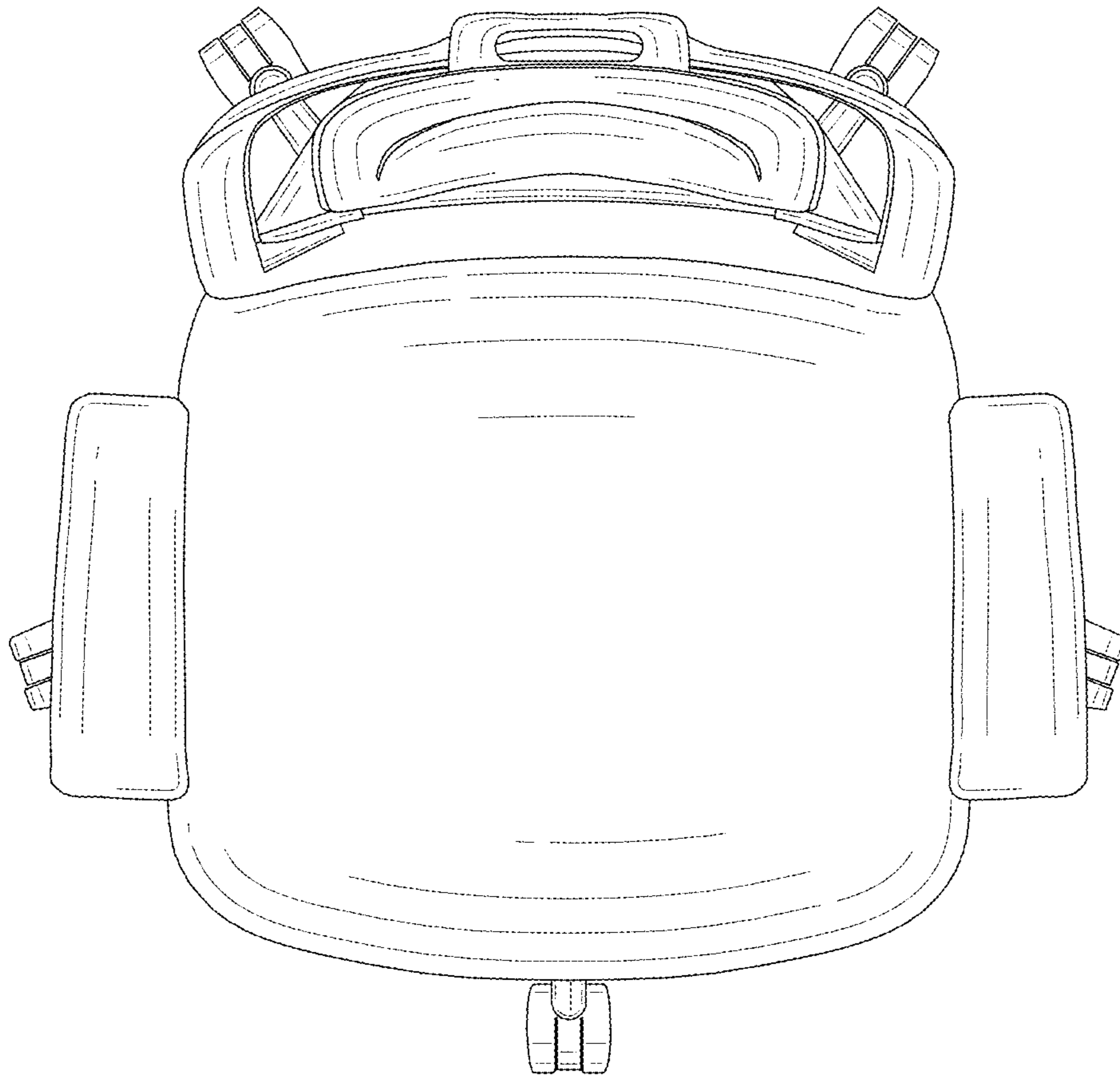


FIG. 5

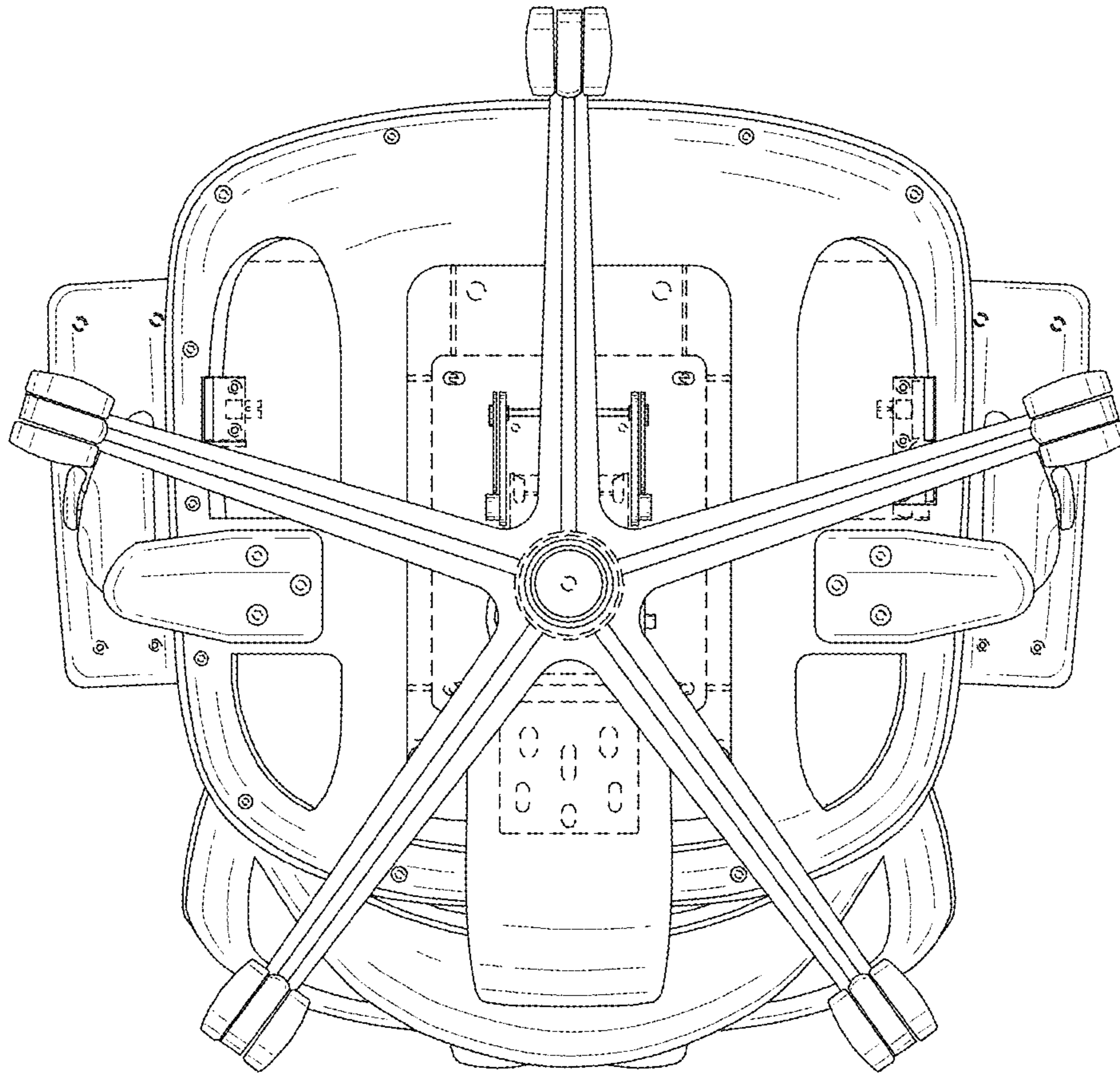


FIG. 6

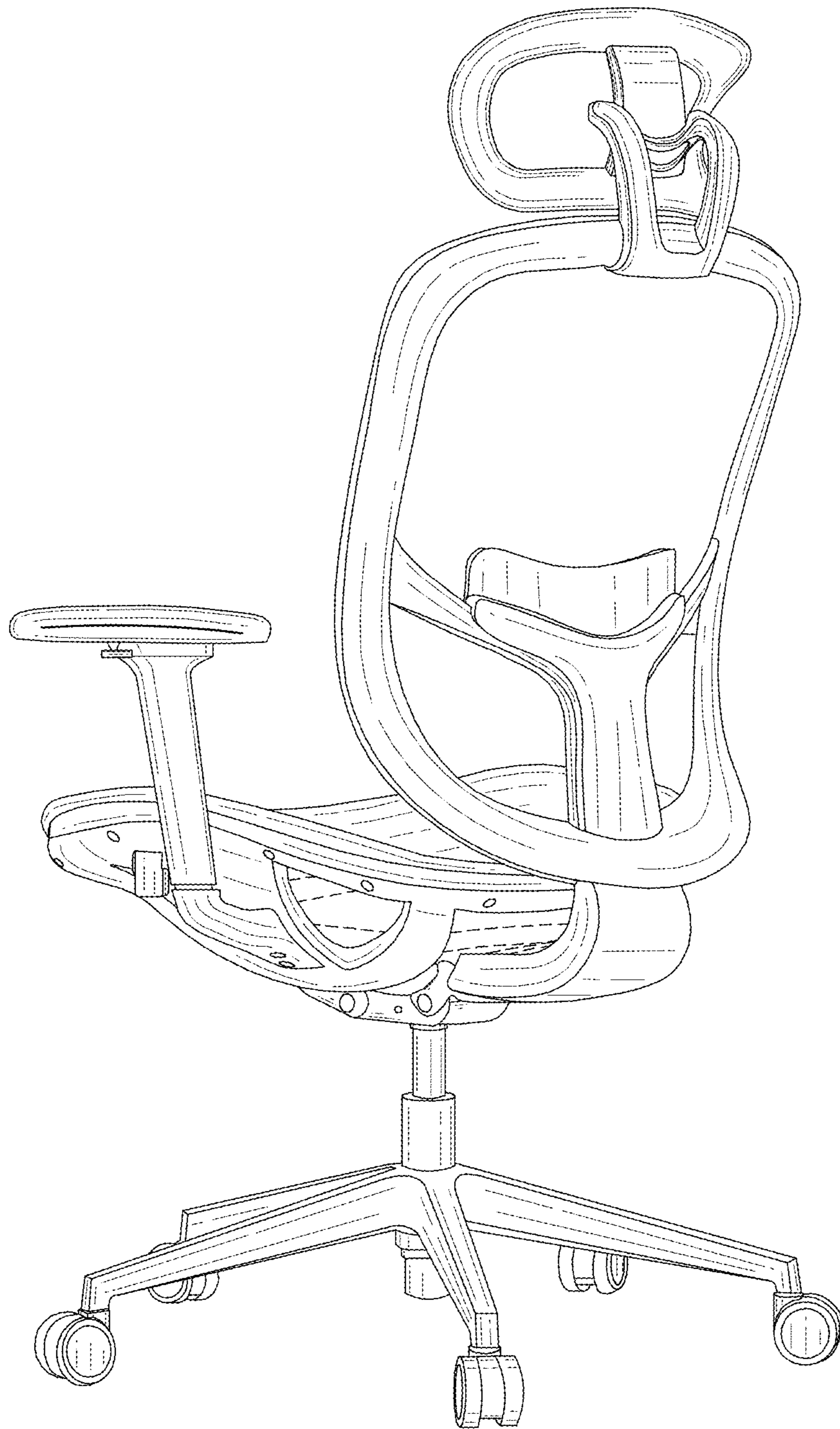


FIG. 7