



US00D912420S

(12) **United States Design Patent**
Chen

(10) **Patent No.:** **US D912,420 S**
(45) **Date of Patent:** **** Mar. 9, 2021**

- (54) **CHAIR**
- (71) Applicant: **ZHEJIANG ZHONGWEI SMART FURNITURE CO., LTD.**, Zhejiang (CN)
- (72) Inventor: **Zheng Chen**, Zhejiang (CN)
- (73) Assignee: **ZHEJIANG ZHONGWEI SMART FURNITURE CO., LTD.**, Yueqing (CN)
- (**) Term: **15 Years**
- (21) Appl. No.: **29/708,658**
- (22) Filed: **Oct. 8, 2019**
- (30) **Foreign Application Priority Data**

Aug. 26, 2019 (CN) 201930465345.8

(51) **LOC (13) Cl.** **06-01**

(52) **U.S. Cl.**
USPC **D6/366**

(58) **Field of Classification Search**
USPC D6/334, 365, 366, 369, 375, 379, 380, D6/716, 716.4
CPC A47C 3/12; A47C 3/18; A47C 3/20; A47C 5/02; A47C 5/12; A47C 7/24; A47C 7/36; A47C 7/46
See application file for complete search history.

(56) **References Cited**

U.S. PATENT DOCUMENTS

- 2,740,464 A * 4/1956 Hamilton A47C 3/18 297/344.12
- D585,205 S * 1/2009 Wen D6/366

- 7,784,870 B2 * 8/2010 Machael A47C 1/03272 297/300.5
- D704,946 S * 5/2014 Wu D6/366
- D707,460 S * 6/2014 Giugiaro D6/366
- D750,911 S * 3/2016 Su D6/366
- D780,499 S * 3/2017 Tsai D6/716.4
- D818,294 S * 5/2018 Tsai D6/716.4
- D865,389 S * 11/2019 Hefti D6/366

* cited by examiner

Primary Examiner — R. Johnson

(74) *Attorney, Agent, or Firm* — Wayne & Ken, LLC

(57) **CLAIM**

The ornamental design for a chair, as shown and described.

DESCRIPTION

FIG. 1 is a front elevation view of a chair showing my new design;
 FIG. 2 is a back elevation view thereof;
 FIG. 3 is a left side view thereof;
 FIG. 4 is a right side view thereof;
 FIG. 5 is a top plan view thereof;
 FIG. 6 is a bottom plan view thereof; and,
 FIG. 7 is a perspective view thereof.

The broken lines in the drawing depict environmental subject matter only and form no part of the claimed design.

1 Claim, 7 Drawing Sheets



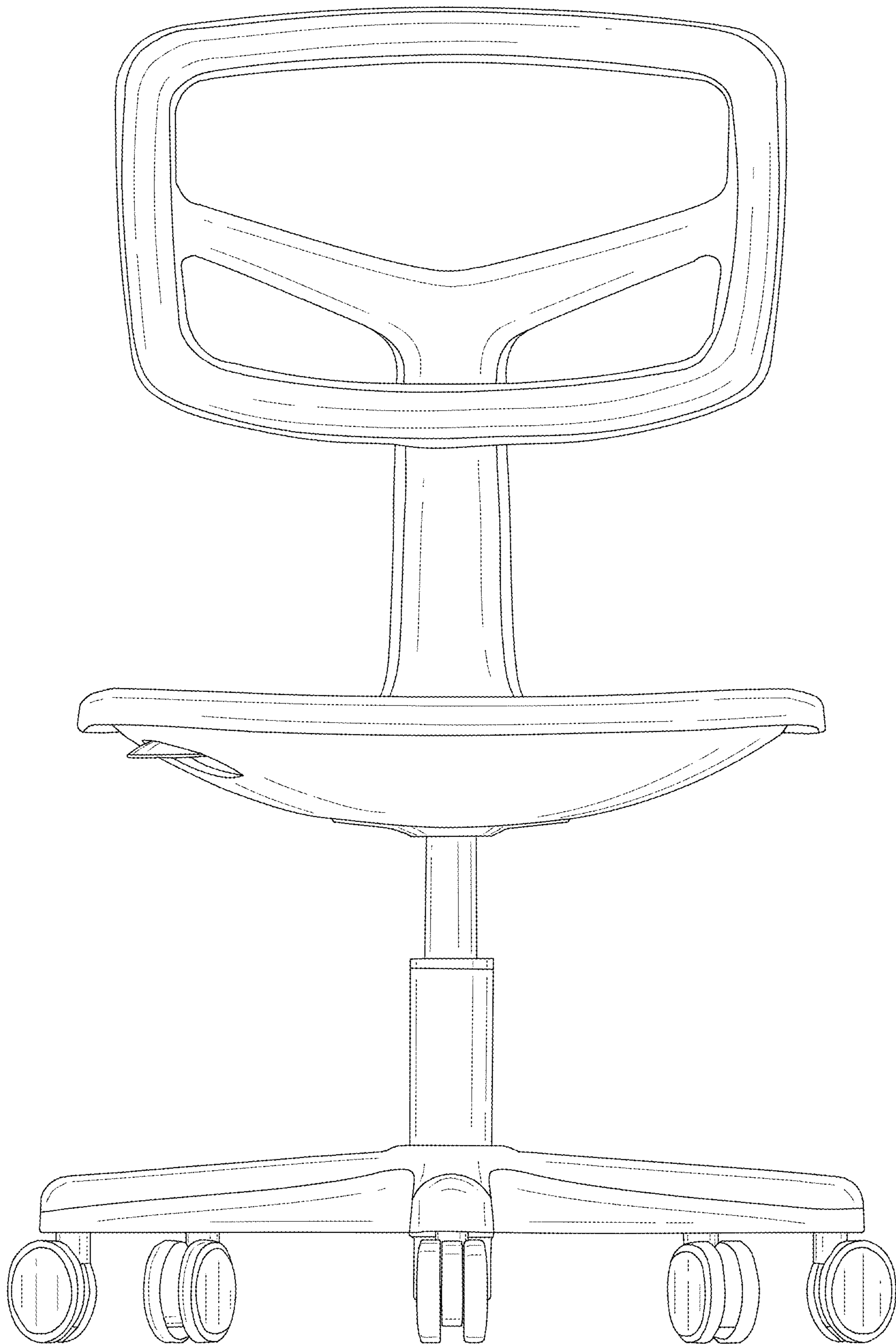


FIG. 1

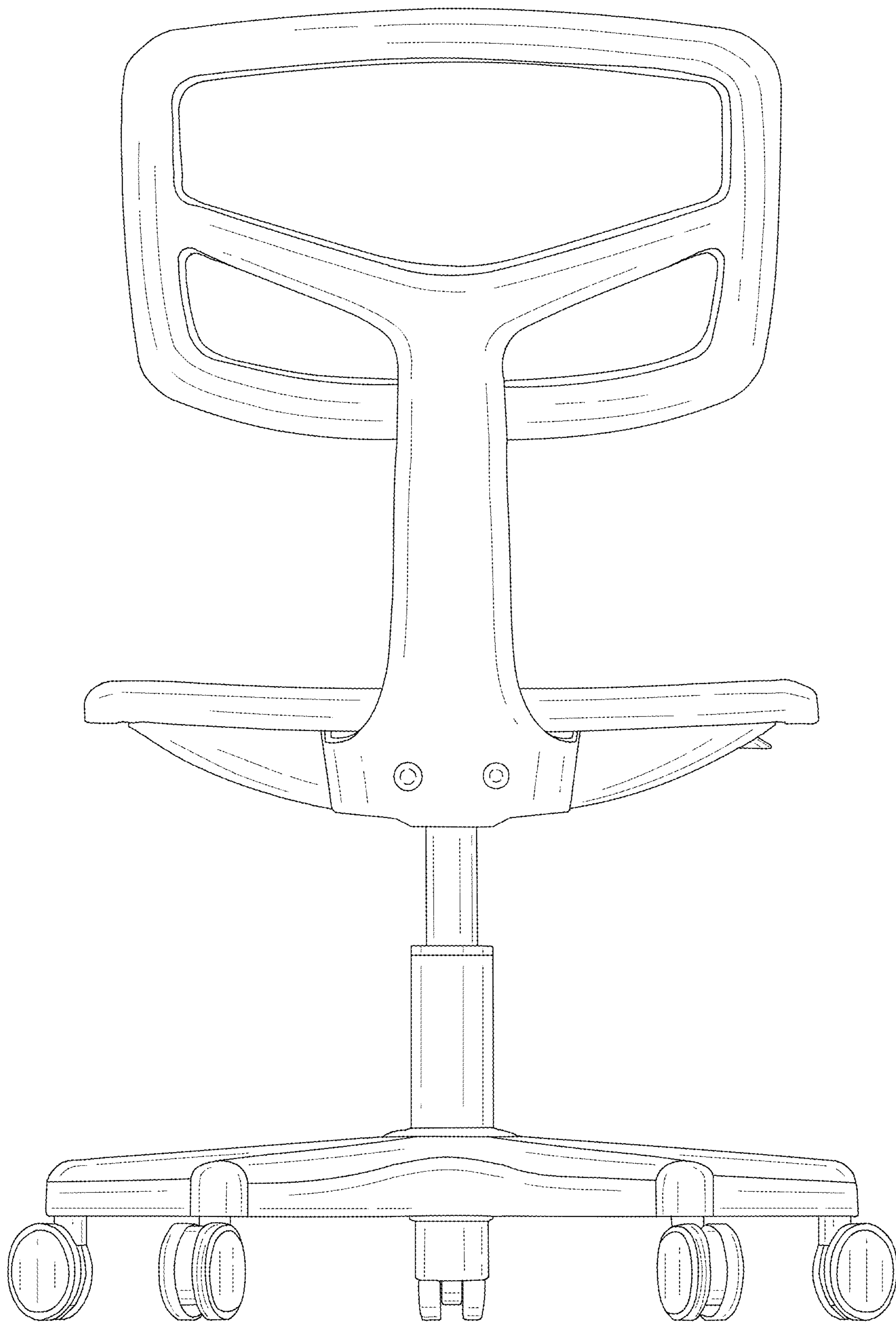


FIG. 2

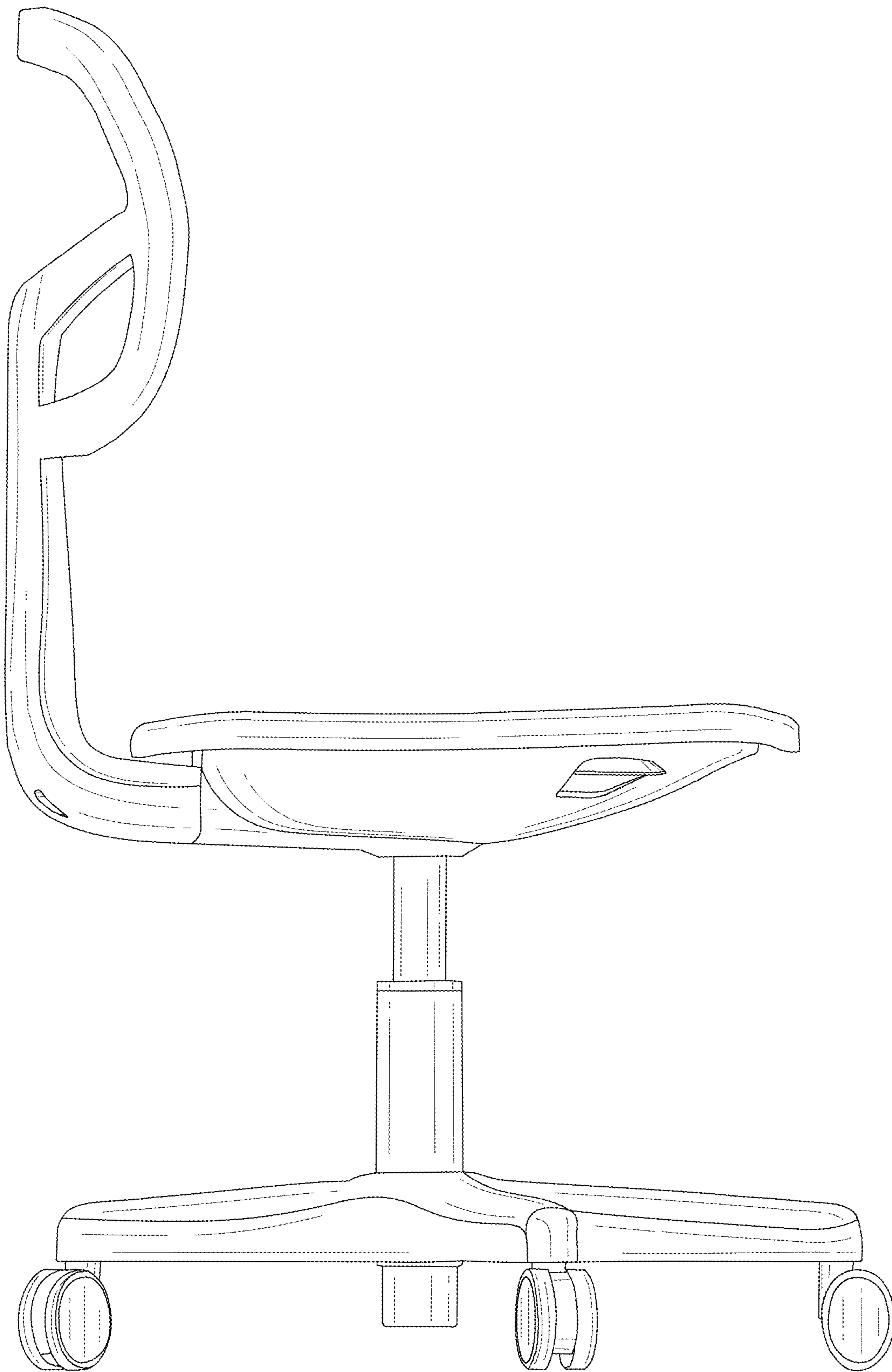


FIG. 3

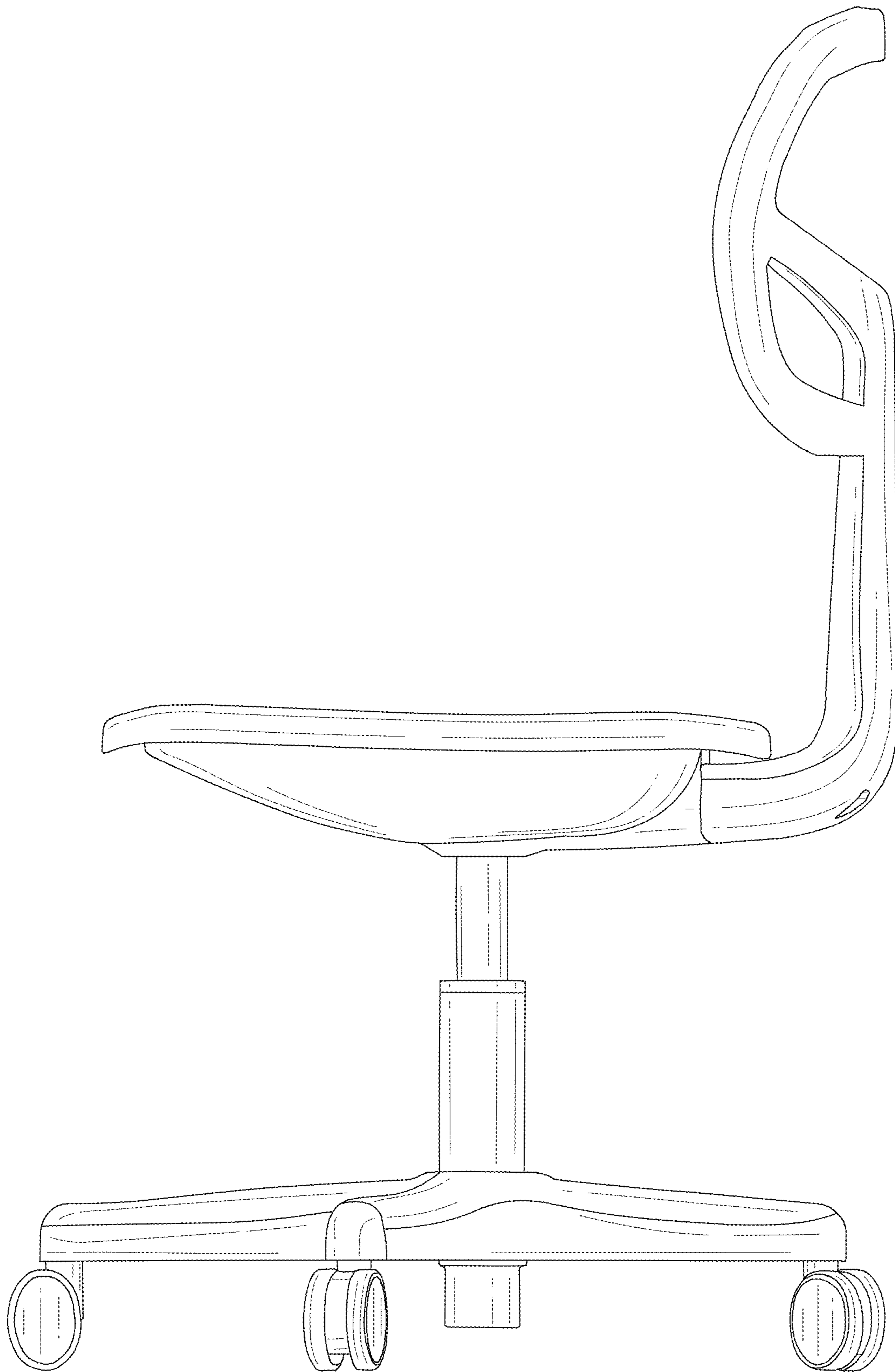


FIG. 4

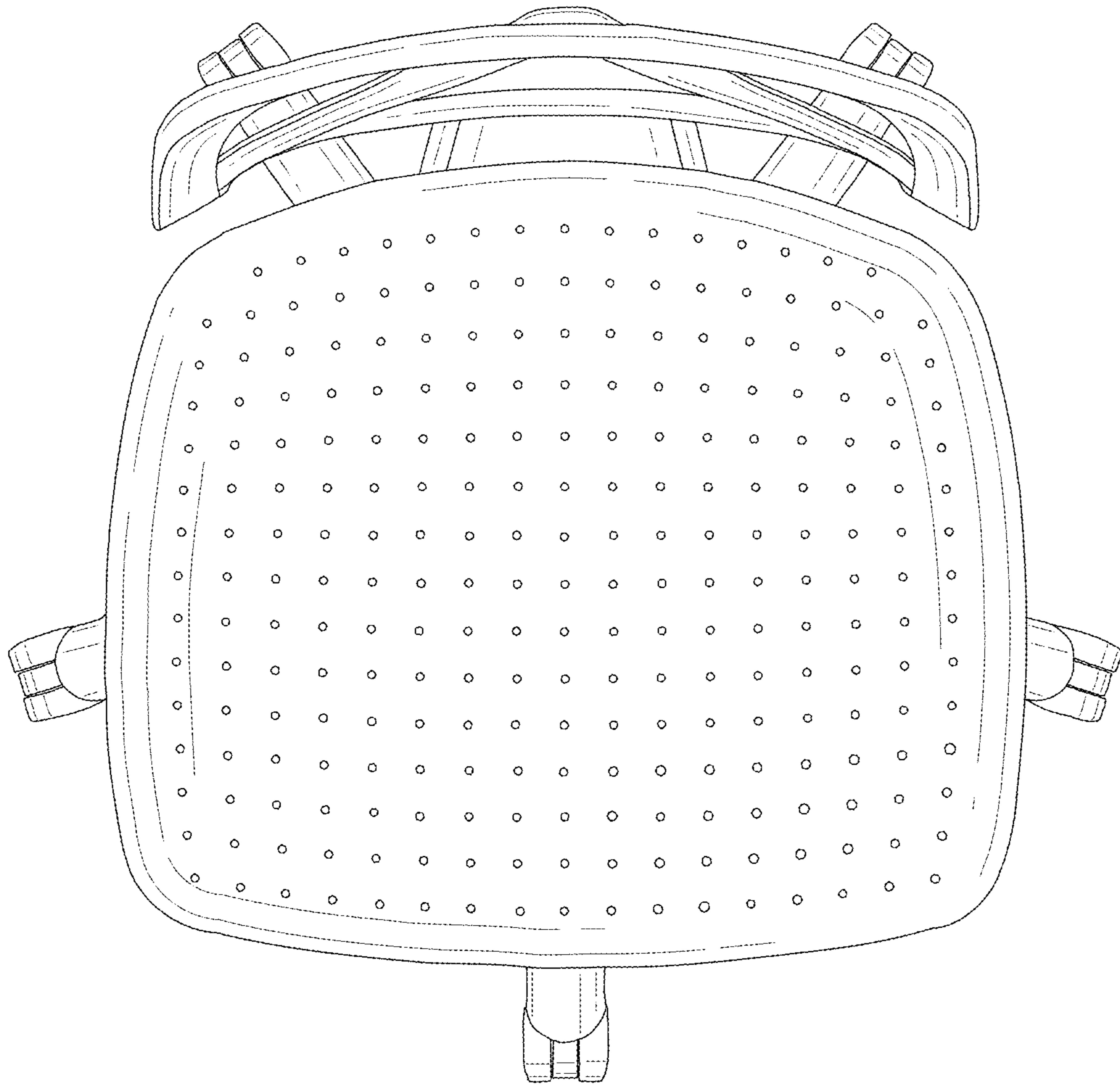


FIG. 5

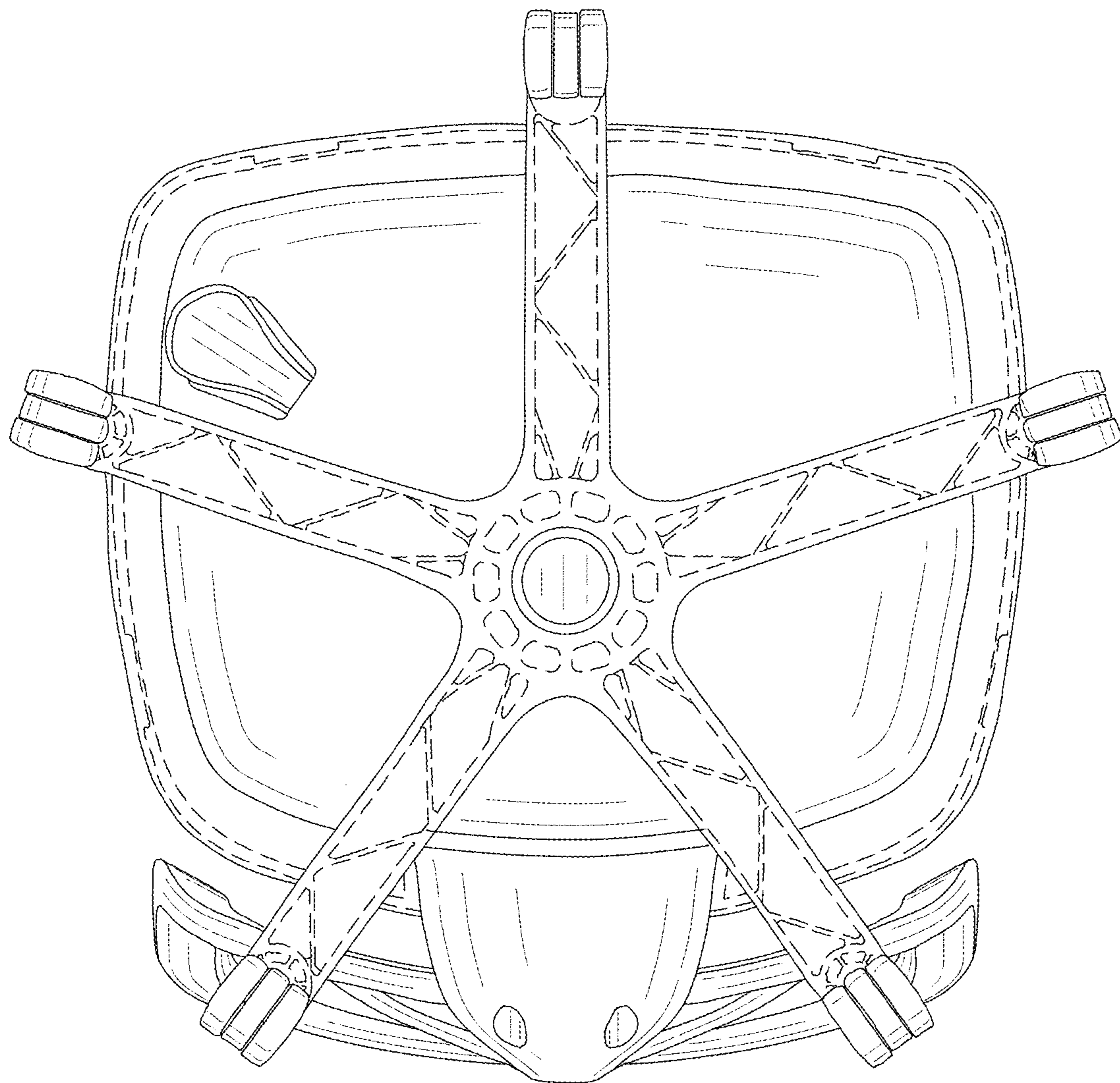


FIG. 6



FIG. 7