



US00D912419S

(12) **United States Design Patent**
Chen

(10) **Patent No.:** **US D912,419 S**
(45) **Date of Patent:** **** Mar. 9, 2021**

(54) **CHAIR**

(71) Applicant: **ZHEJIANG ZHONGWEI SMART FURNITURE CO., LTD.**, Zhejiang (CN)

(72) Inventor: **Zheng Chen**, Zhejiang (CN)

(73) Assignee: **ZHEJIANG ZHONGWEI SMART FURNITURE CO., LTD.**, Yueqing (CN)

(**) Term: **15 Years**

(21) Appl. No.: **29/708,657**

(22) Filed: **Oct. 8, 2019**

(30) **Foreign Application Priority Data**

Aug. 26, 2019 (CN) 201930465351.3

(51) **LOC (13) Cl.** **06-01**

(52) **U.S. Cl.**
USPC **D6/366**

(58) **Field of Classification Search**
USPC D6/334, 365, 366, 369, 375, 379, 380,
D6/716, 716.4

CPC A47C 3/12; A47C 3/18; A47C 3/20; A47C
5/02; A47C 5/12; A47C 7/24; A47C 7/36;
A47C 7/46

See application file for complete search history.

(56) **References Cited**

U.S. PATENT DOCUMENTS

D410,799 S * 6/1999 Meda D6/366
D517,335 S * 3/2006 Kinoshita D6/366

D650,617 S * 12/2011 Chen D6/716
D665,590 S * 8/2012 Wagner D6/366
D708,877 S * 7/2014 Tsai D6/716
D750,911 S * 3/2016 Su D6/366
D823,626 S * 7/2018 Chen D6/716.4
D867,004 S * 11/2019 Ballendat D6/366
D889,868 S * 7/2020 Guelfo D6/366
2018/0332967 A1* 11/2018 Jin A47C 1/036

FOREIGN PATENT DOCUMENTS

JP 2016123724 A * 7/2016 A47C 7/462

* cited by examiner

Primary Examiner — R. Johnson

(74) *Attorney, Agent, or Firm* — Wayne & Ken, LLC

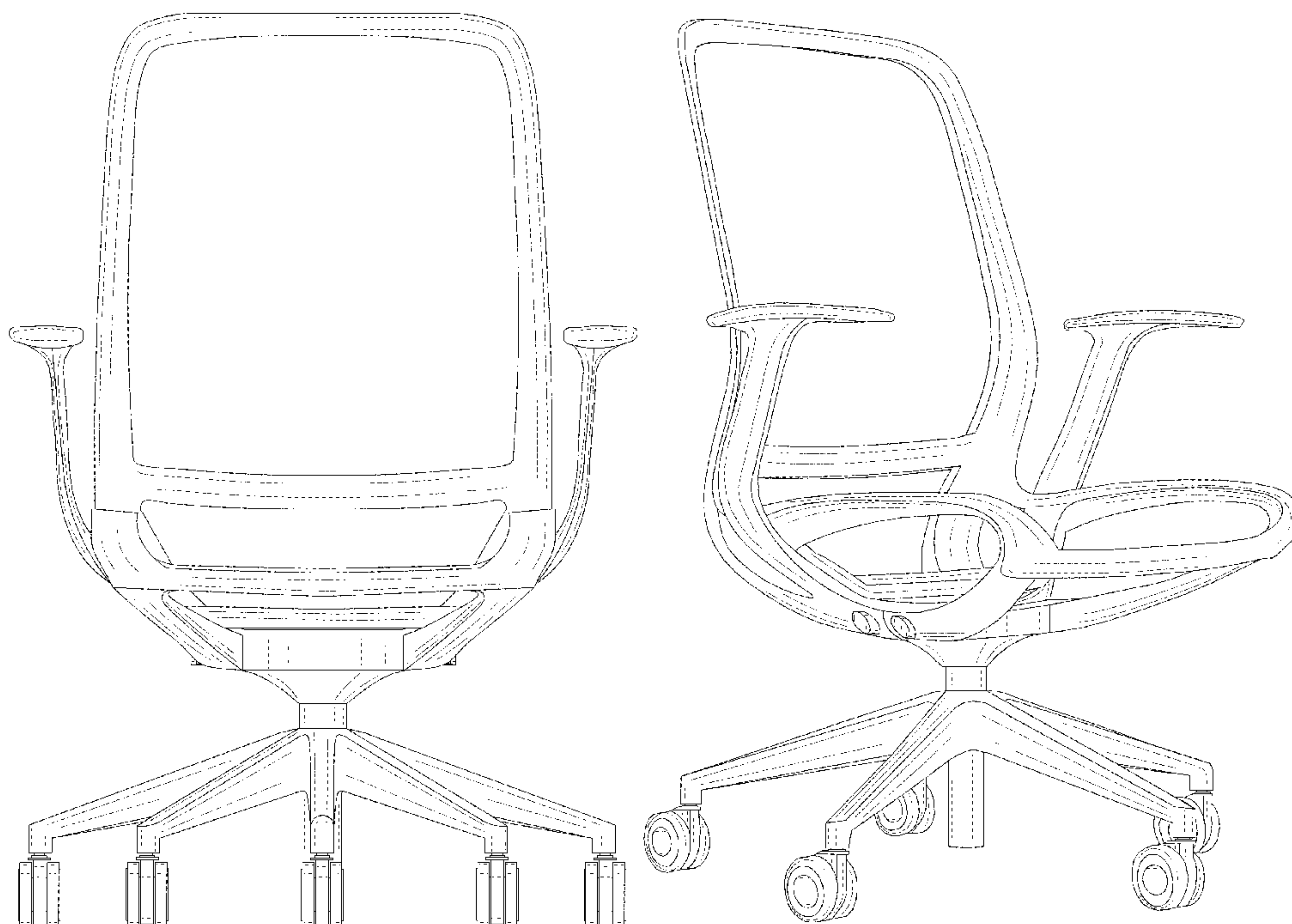
(57) **CLAIM**

The ornamental design for a chair, as shown and described.

DESCRIPTION

FIG. 1 is a front elevation view of a chair showing my new design;
FIG. 2 is a back elevation view thereof;
FIG. 3 is a left side view thereof;
FIG. 4 is a right side view thereof;
FIG. 5 is a top plan view thereof;
FIG. 6 is a bottom plan view thereof; and,
FIG. 7 is a perspective view thereof.
The broken lines in the drawing depict environmental subject matter only and form no part of the claimed design.

1 Claim, 7 Drawing Sheets



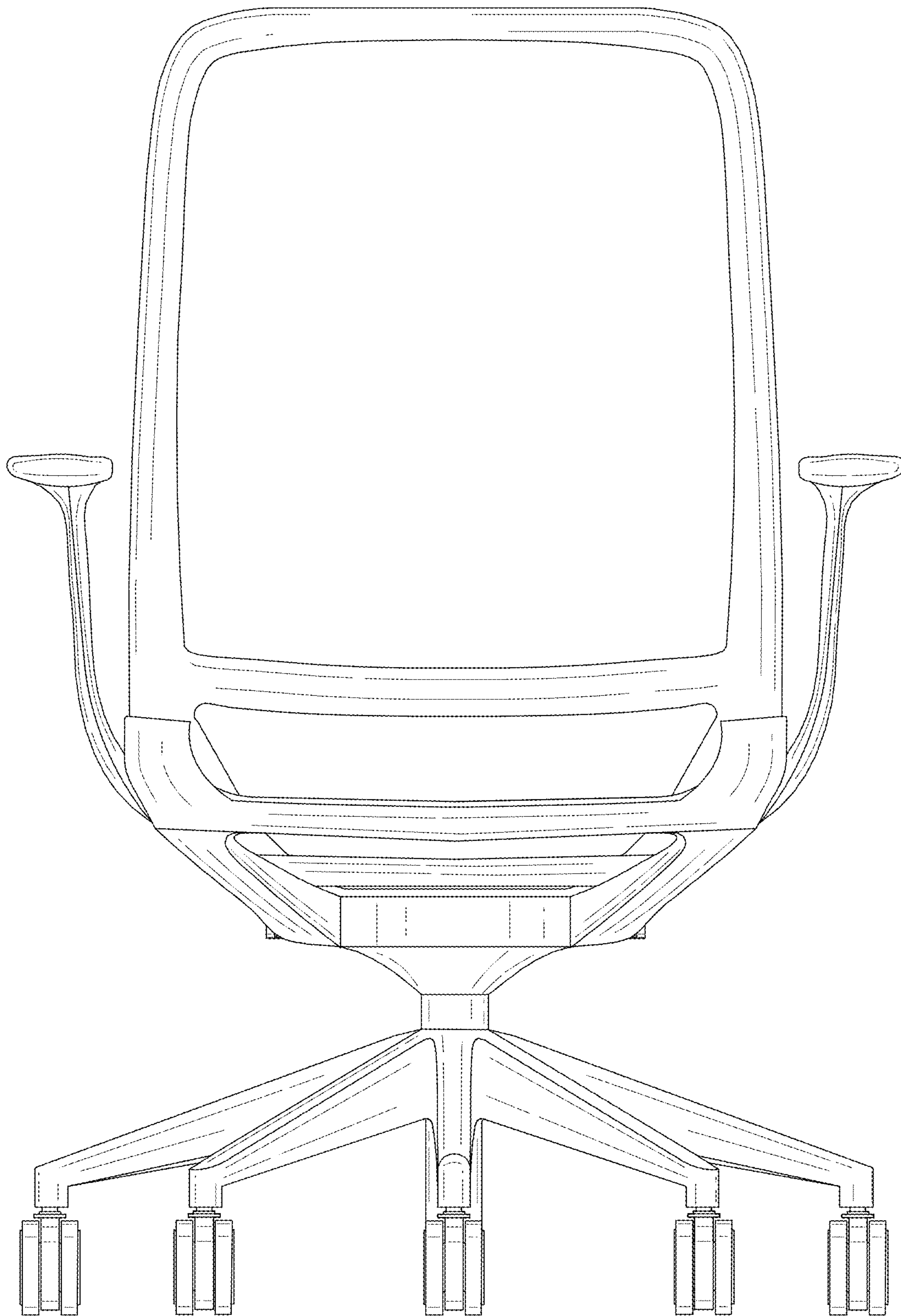


FIG. 1

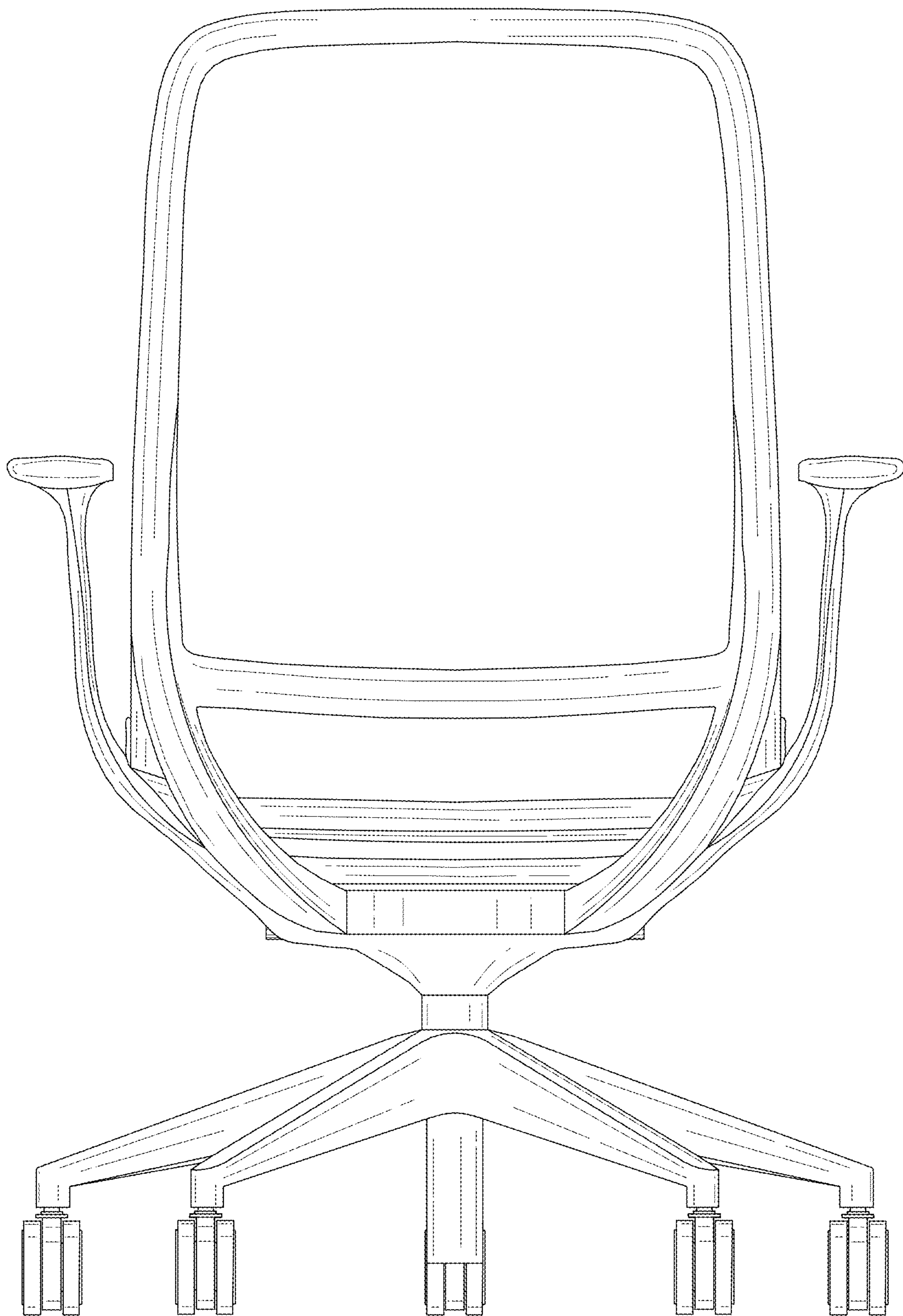


FIG. 2

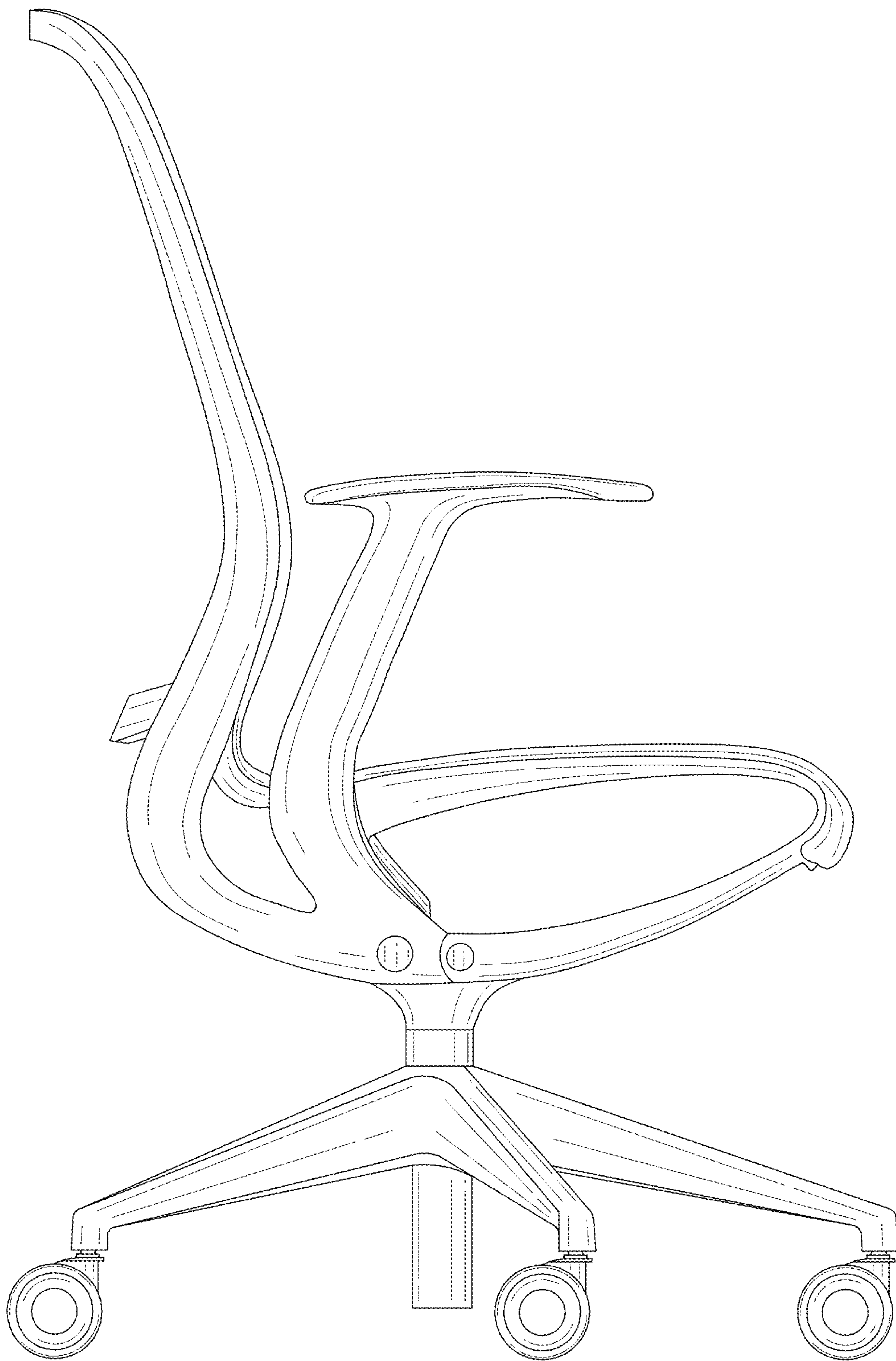


FIG. 3

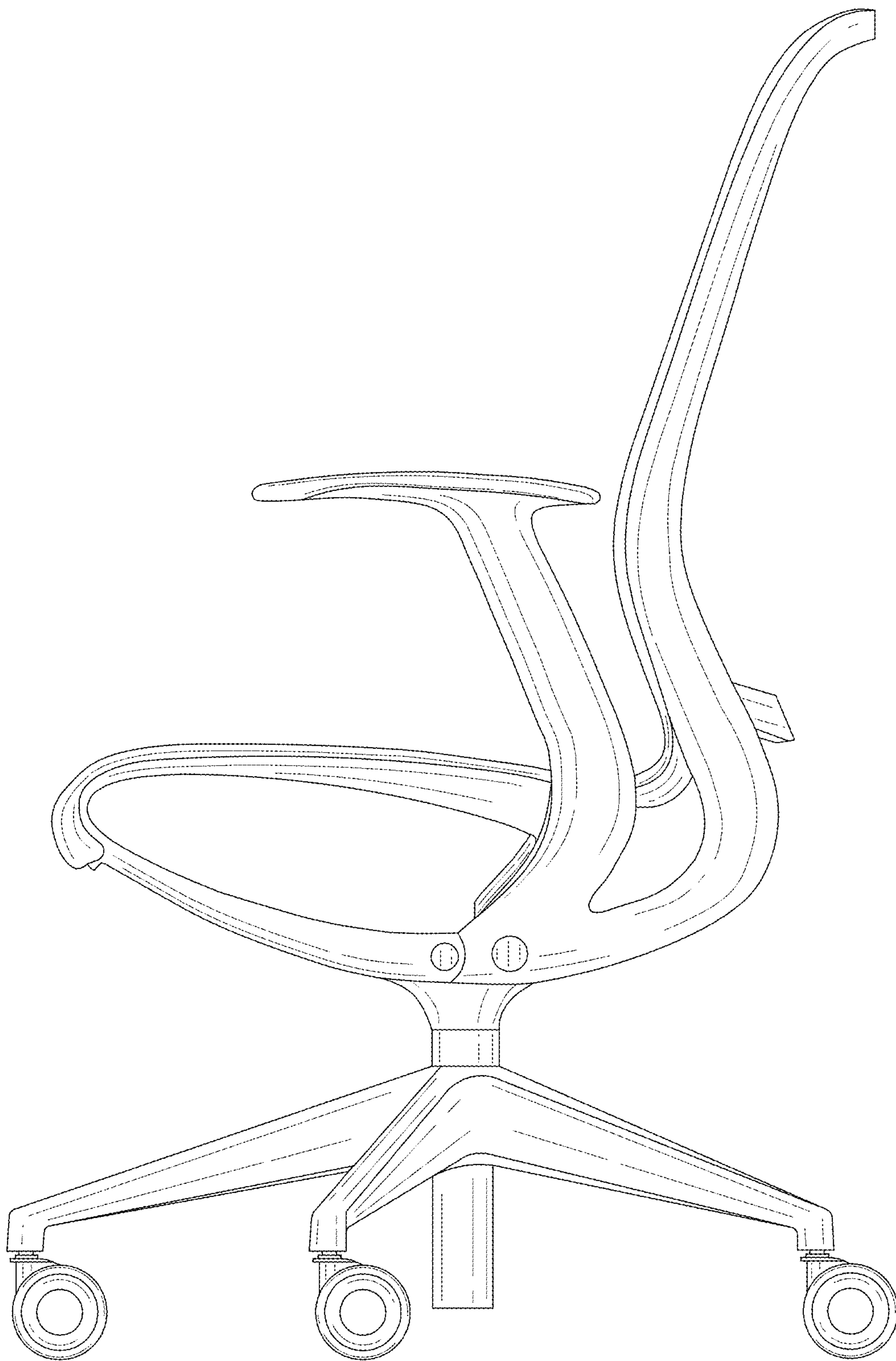


FIG. 4

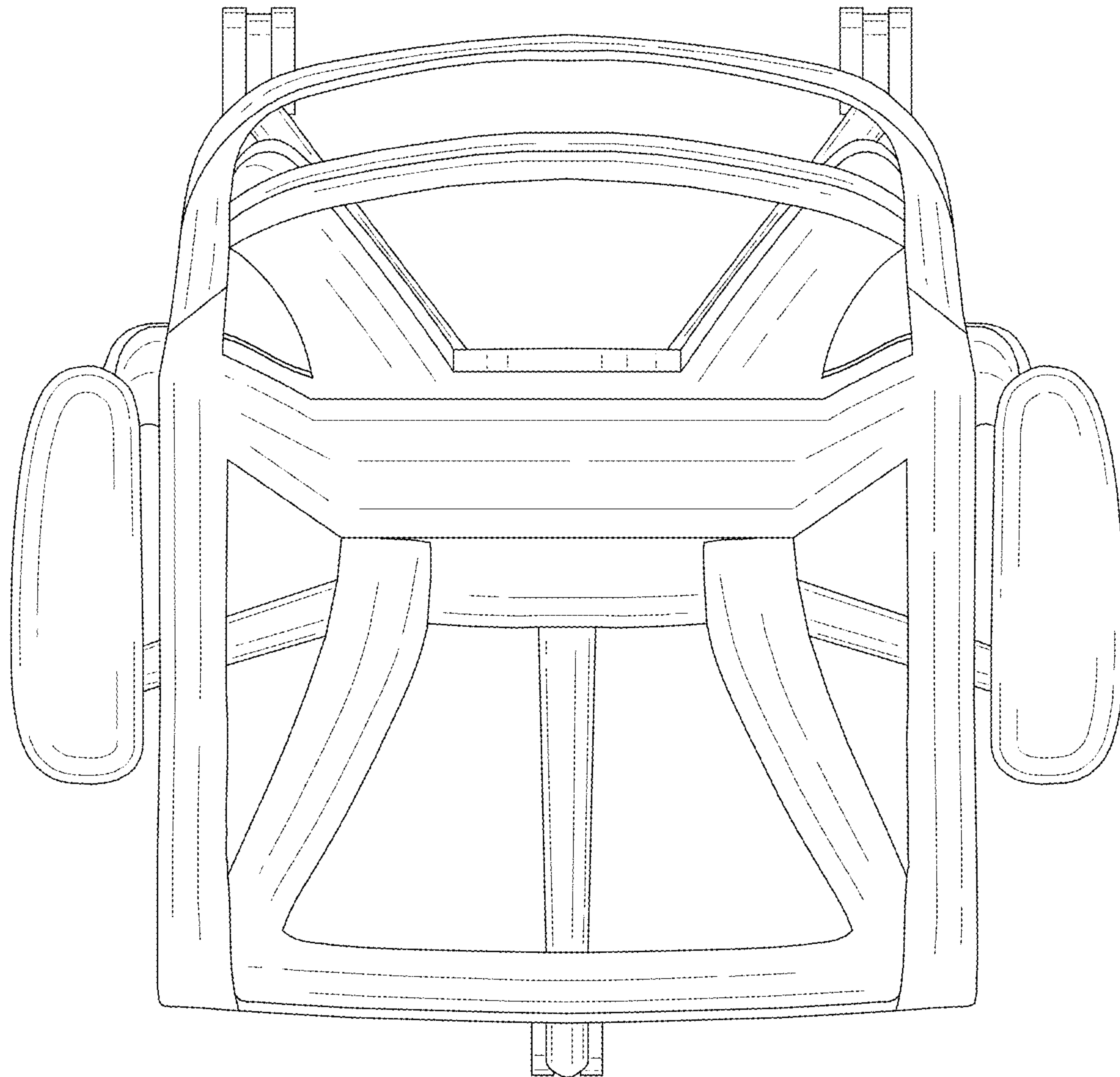


FIG. 5

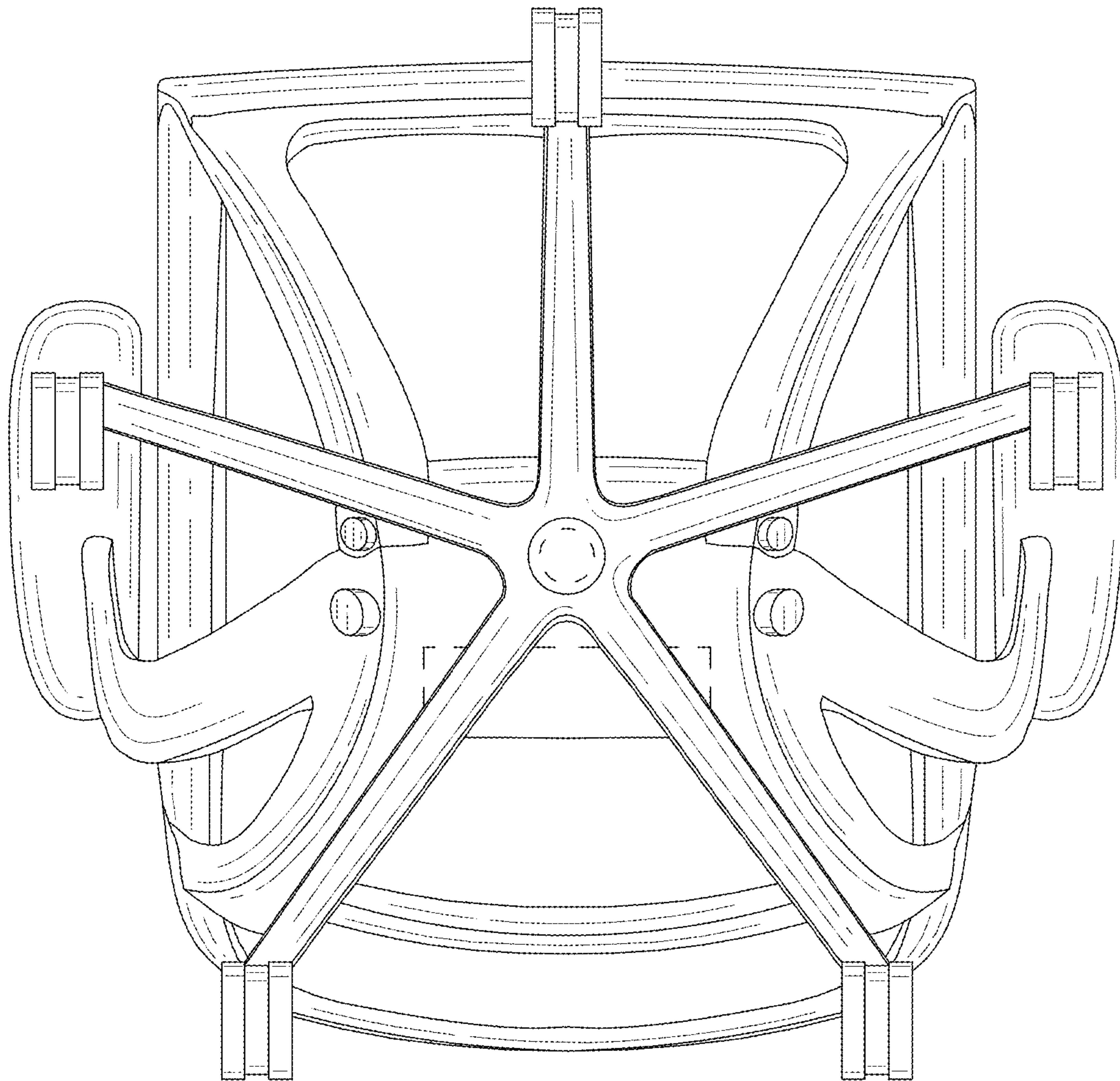


FIG. 6



FIG. 7