



US00D912416S

(12) **United States Design Patent**  
**Chen**

(10) **Patent No.:** **US D912,416 S**  
(45) **Date of Patent:** **\*\* Mar. 9, 2021**

(54) **CHAIR**

(71) Applicant: **ZHEJIANG ZHONGWEI SMART FURNITURE CO., LTD.**, Zhejiang (CN)

(72) Inventor: **Zheng Chen**, Zhejiang (CN)

(73) Assignee: **ZHEJIANG ZHONGWEI SMART FURNITURE CO., LTD.**, Yueqing (CN)

(\*\*) Term: **15 Years**

(21) Appl. No.: **29/708,652**

(22) Filed: **Oct. 8, 2019**

(30) **Foreign Application Priority Data**

Aug. 26, 2019 (CN) ..... 201930465836.2

(51) **LOC (13) Cl.** ..... **06-01**

(52) **U.S. Cl.**  
USPC ..... **D6/366**

(58) **Field of Classification Search**  
USPC ..... D6/334, 365, 366, 369, 375, 379, 380, D6/716, 716.4  
CPC .... A47C 3/12; A47C 3/18; A47C 3/20; A47C 5/02; A47C 5/12; A47C 7/24; A47C 7/36; A47C 7/46  
See application file for complete search history.

(56) **References Cited**

**U.S. PATENT DOCUMENTS**

D585,205 S \* 1/2009 Wen ..... D6/366  
D650,617 S \* 12/2011 Chen ..... D6/716  
D665,590 S \* 8/2012 Wagner ..... D6/366  
D704,946 S \* 5/2014 Wu ..... D6/366

D706,047 S \* 6/2014 Giugiaro ..... D6/366  
D750,911 S \* 3/2016 Su ..... D6/366  
D801,741 S \* 11/2017 Zhu ..... D6/716  
D823,626 S \* 7/2018 Chen ..... D6/716.4  
D874,842 S \* 2/2020 Wang ..... D6/366  
D888,450 S \* 6/2020 Zhou ..... D6/366  
D889,868 S \* 7/2020 Guelfo ..... D6/366

\* cited by examiner

*Primary Examiner* — R. Johnson

(74) *Attorney, Agent, or Firm* — Wayne & Ken, LLC

(57) **CLAIM**

The ornamental design for a chair, as shown and described.

**DESCRIPTION**

FIG. 1 is a front elevation view of a chair showing my new design;

FIG. 2 is a back elevation view thereof;

FIG. 3 is a left side view thereof;

FIG. 4 is a right side view thereof;

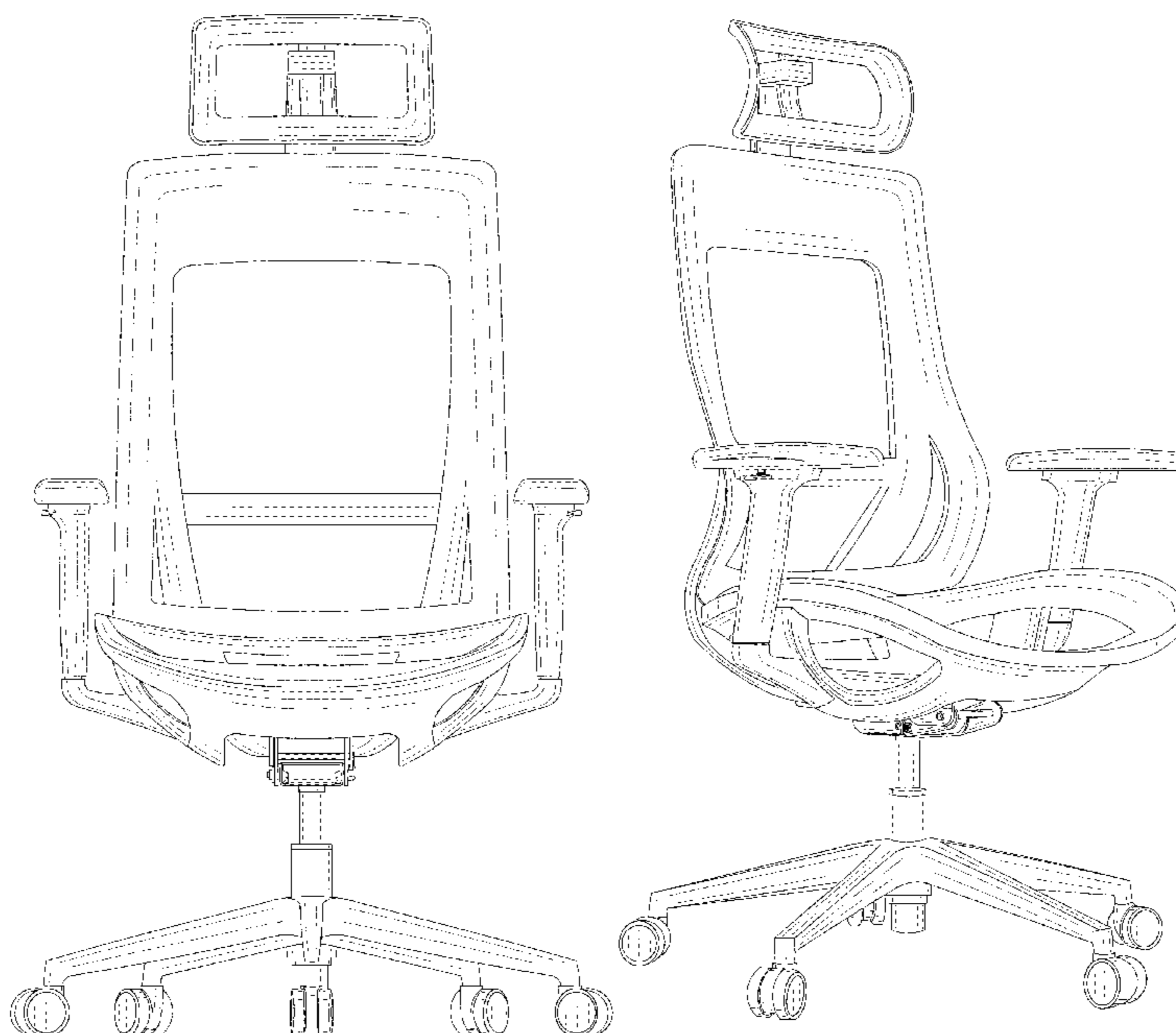
FIG. 5 is a top plan view thereof;

FIG. 6 is a bottom plan view thereof; and,

FIG. 7 is a perspective view thereof.

The broken lines in the drawing depict environmental subject matter only and form no part of the claimed design.

**1 Claim, 7 Drawing Sheets**



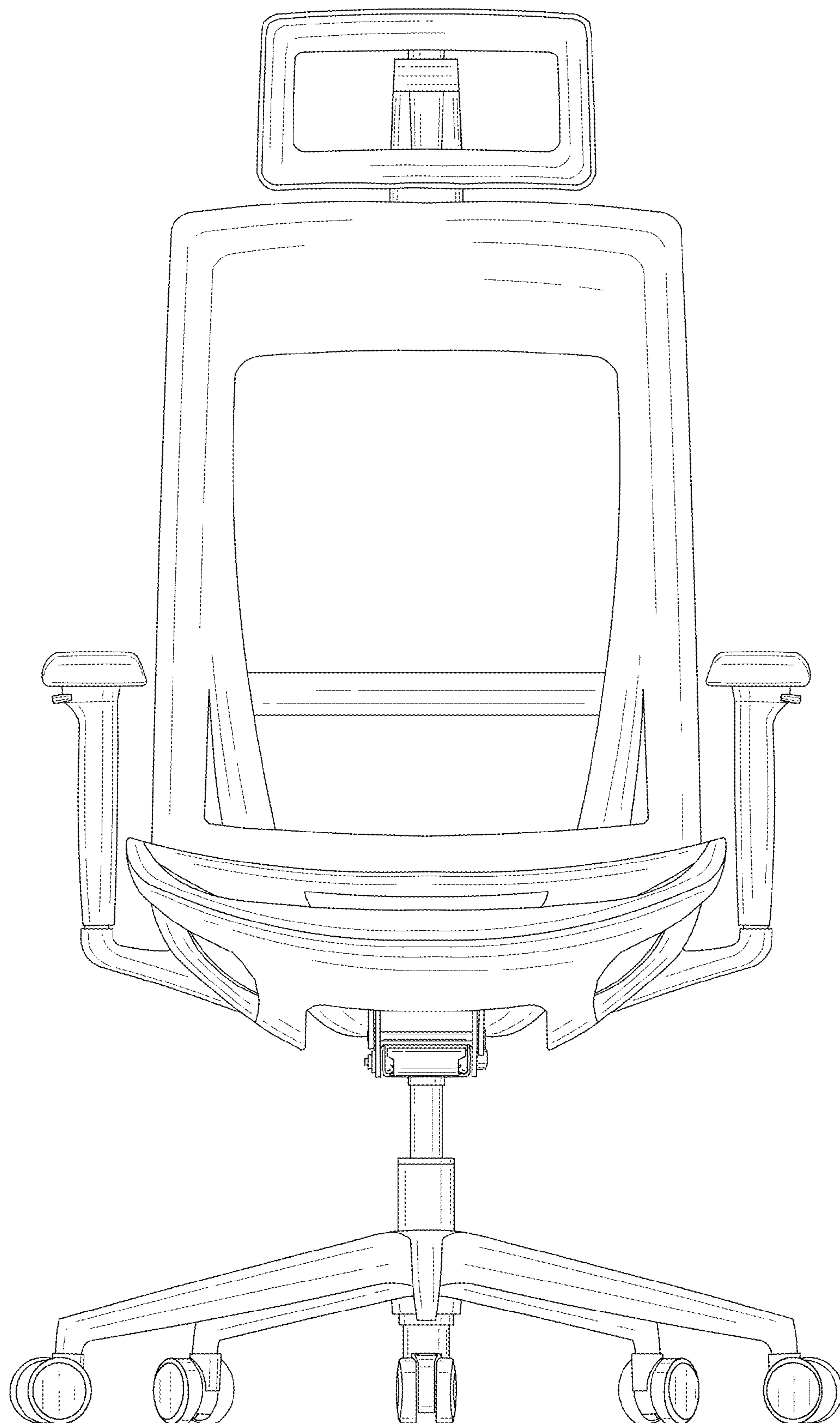


FIG. 1

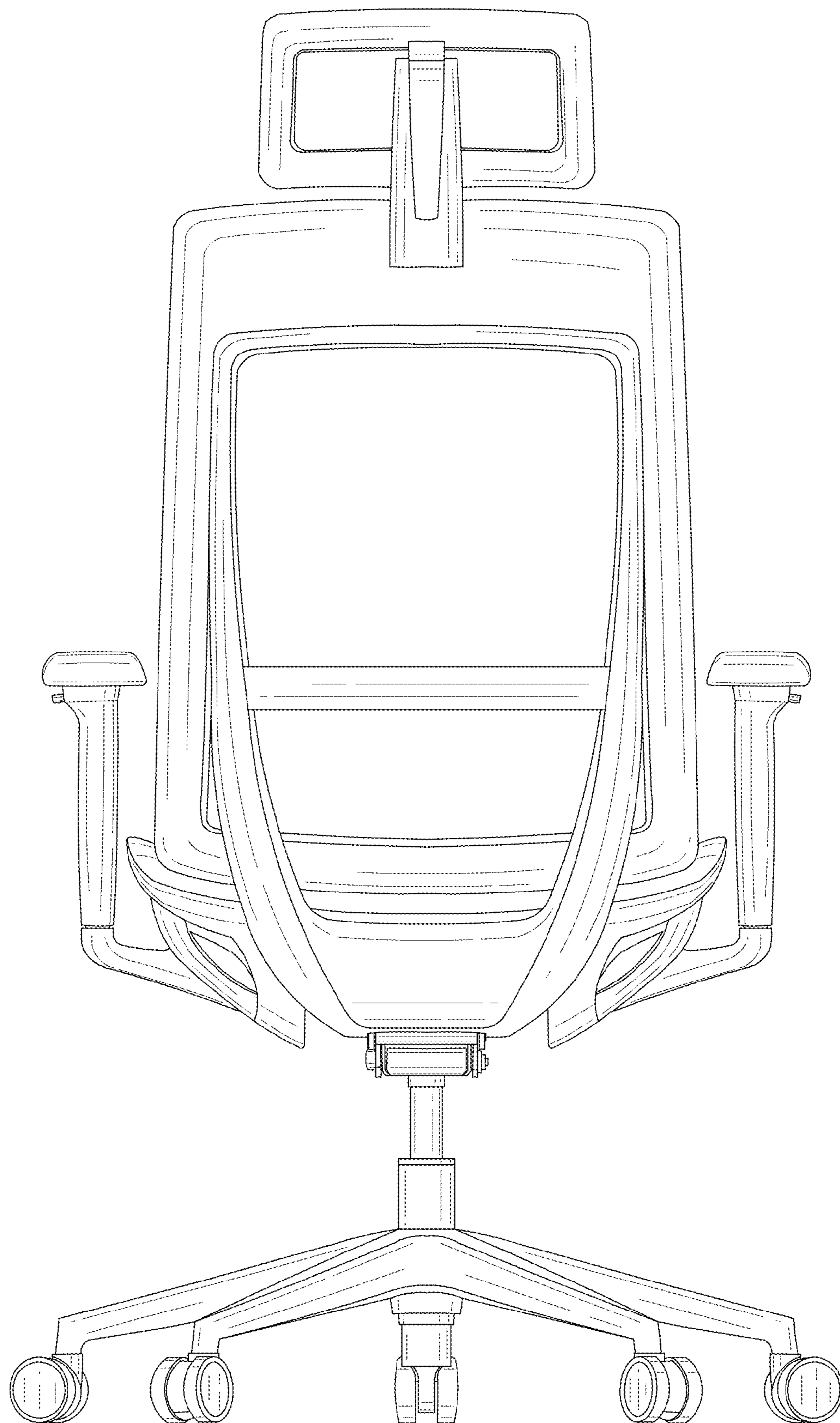


FIG. 2



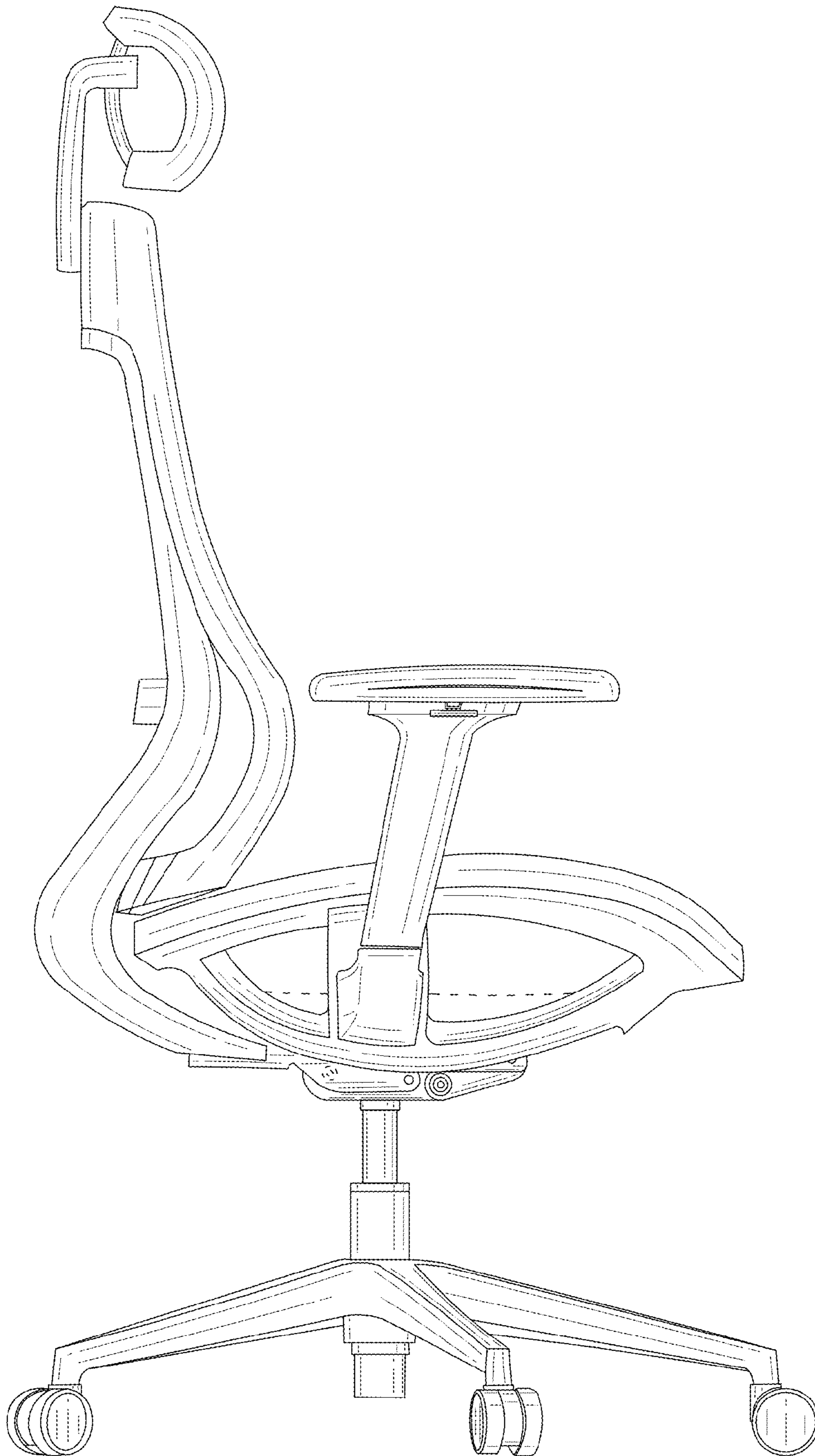


FIG. 3

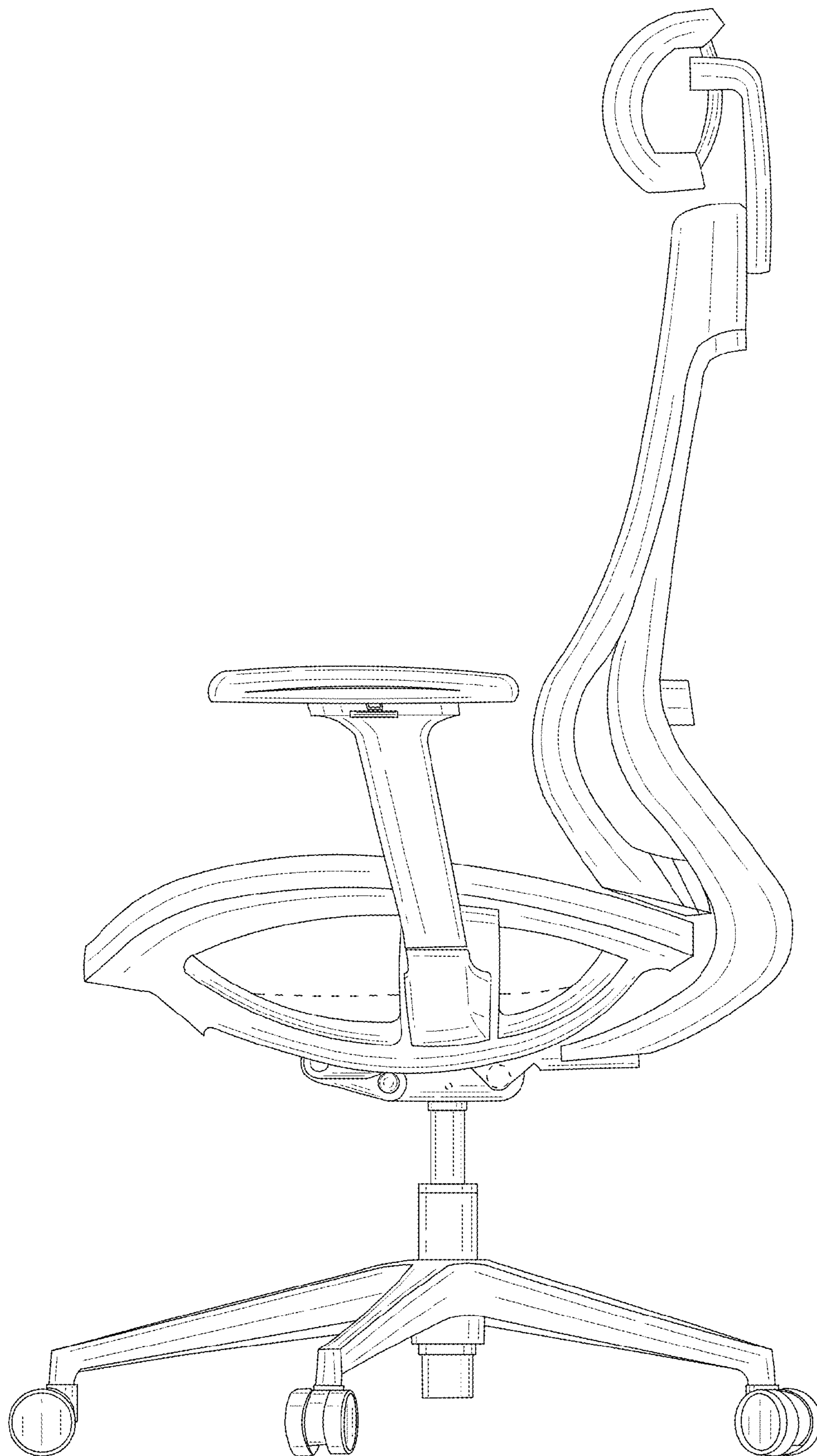


FIG. 4

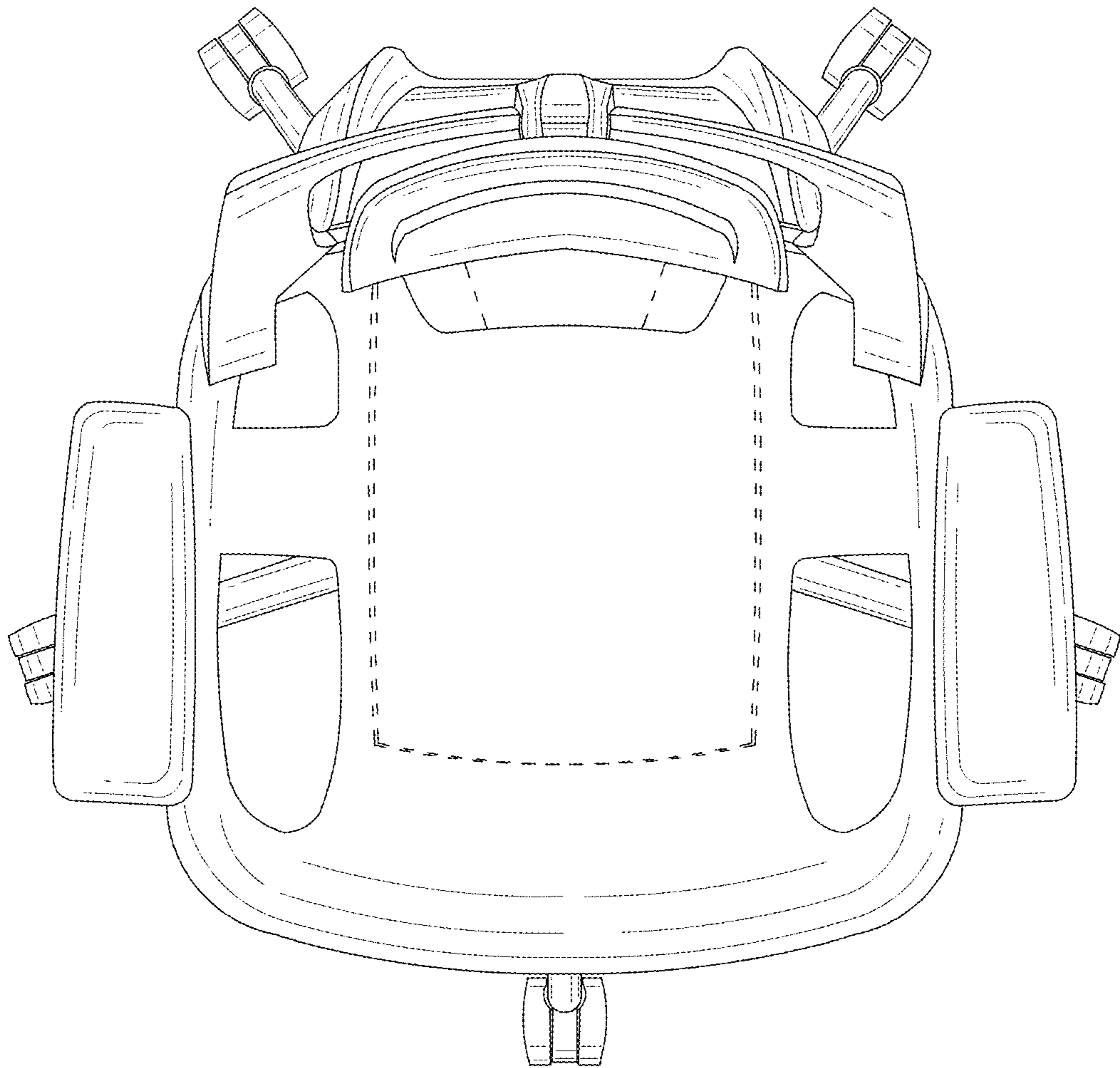


FIG. 5

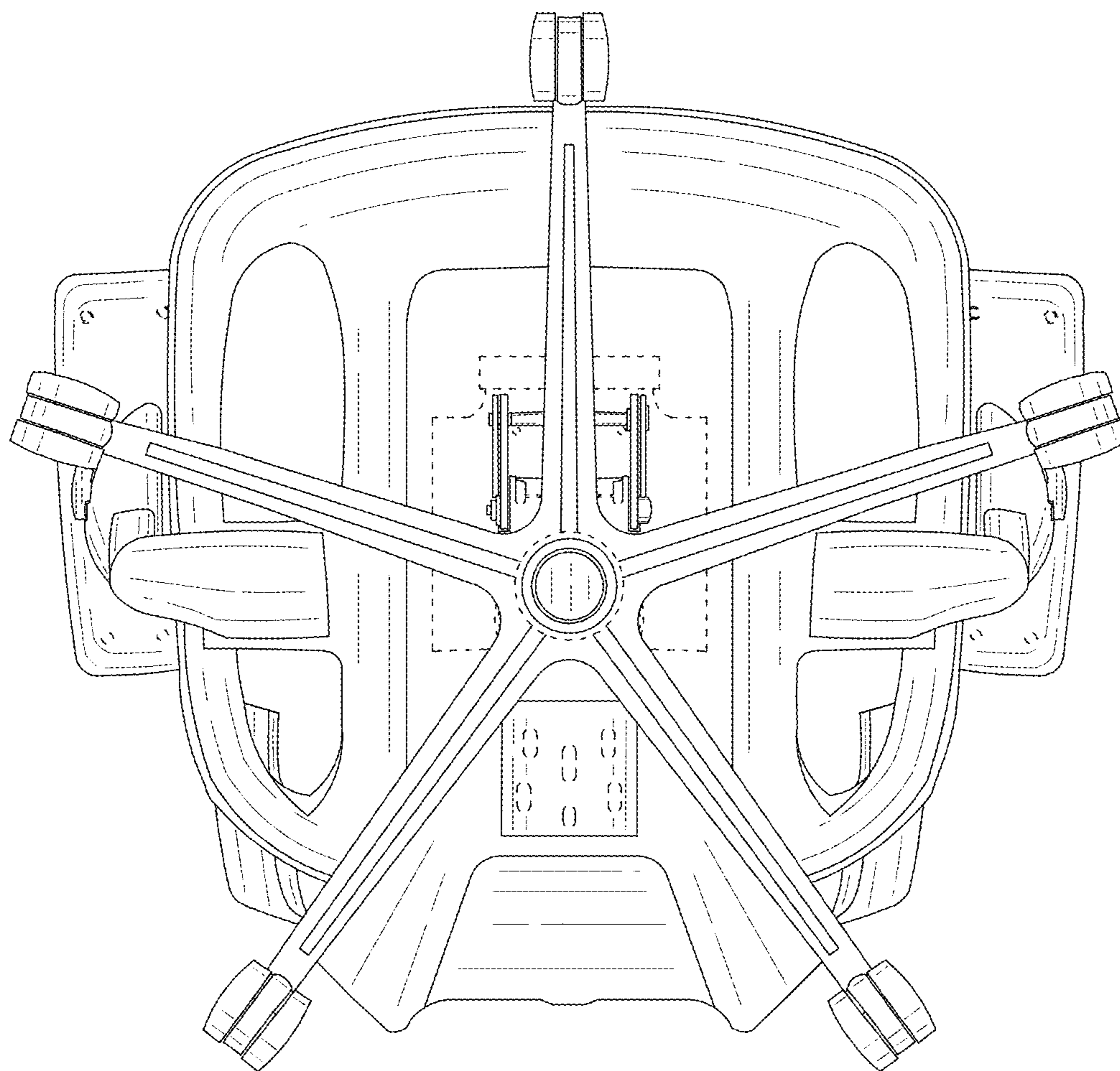


FIG. 6





FIG. 7