



US00D912413S

(12) **United States Design Patent** (10) **Patent No.:** **US D912,413 S**
Li (45) **Date of Patent:** **** Mar. 9, 2021**

(54) **CHAIR**

(71) Applicant: **39F USA INC**, Rancho Cucamonga, CA (US)

(72) Inventor: **Yuehai Li**, Rancho Cucamonga, CA (US)

(**) Term: **15 Years**

(21) Appl. No.: **29/700,241**

(22) Filed: **Jul. 31, 2019**

(51) **LOC (13) Cl.** **06-01**

(52) **U.S. Cl.**
USPC **D6/348**

(58) **Field of Classification Search**
USPC D6/347, 348, 361, 716, 718, 344, 373, D6/375, 379, 380, 330, 334, 335, 366, D6/369, 372, 385, 708.16, 358, 377, 370; D12/52; D21/412, 688; D24/183, 200
CPC A45F 3/22; A45F 3/24; A45F 3/26; A47D 13/10; A47D 13/105; A47D 9/02; A47C 1/14; A47C 3/0255; A47C 3/029; A47C 3/027; A47C 3/02; A47C 3/04; A47C 3/34; A47C 4/02; A47C 4/03; A47C 4/04; A47C 5/12; A47C 7/52; A47C 7/506; A47C 9/007; A47C 15/008; A47C 17/84; A47C 31/00; A63G 9/00; A63G 9/02; Y10S 135/909; Y10T 403/32409

See application file for complete search history.

(56) **References Cited**

U.S. PATENT DOCUMENTS

- 2,264,143 A * 11/1941 Scott A47C 3/023 297/288
- 3,640,576 A * 2/1972 Morrison, IV A47C 4/028 297/440.11
- D239,223 S * 3/1976 Smith D6/348
- D246,621 S * 12/1977 Voorhees, Jr. D6/348
- D246,811 S * 1/1978 Klein D6/375

- D283,565 S * 4/1986 Wilson D6/348
- D383,319 S * 9/1997 Montes de Oca D6/348
- D466,711 S * 12/2002 Lundstrom D6/348
- D556,465 S * 12/2007 Massaud D6/348
- D581,684 S * 12/2008 Alhadad D6/348
- D606,329 S * 12/2009 Van Duysen D6/375
- D624,762 S * 10/2010 Podsiadlo D6/348
- D627,173 S * 11/2010 Chang D6/348
- D648,157 S * 11/2011 McCurry D6/717
- D666,838 S * 9/2012 Schoenhals D6/348
- D679,514 S * 4/2013 Paulin D6/348
- D681,355 S * 5/2013 Fernandes D6/348
- D713,647 S * 9/2014 Pedersen D6/348

(Continued)

OTHER PUBLICATIONS

“8 Best Men’s Chairs for the Modern Gentleman’s Pad” Sep. 30, 2013, manofmany.com, site visited Sep. 4, 2020 <https://manofmany.com/living/gentlemans-pad-top-8-chairs> (Year: 2013).*

Primary Examiner — Kevin K Rudzinski
Assistant Examiner — Paul D Bohannon
(74) *Attorney, Agent, or Firm* — Feng Qian

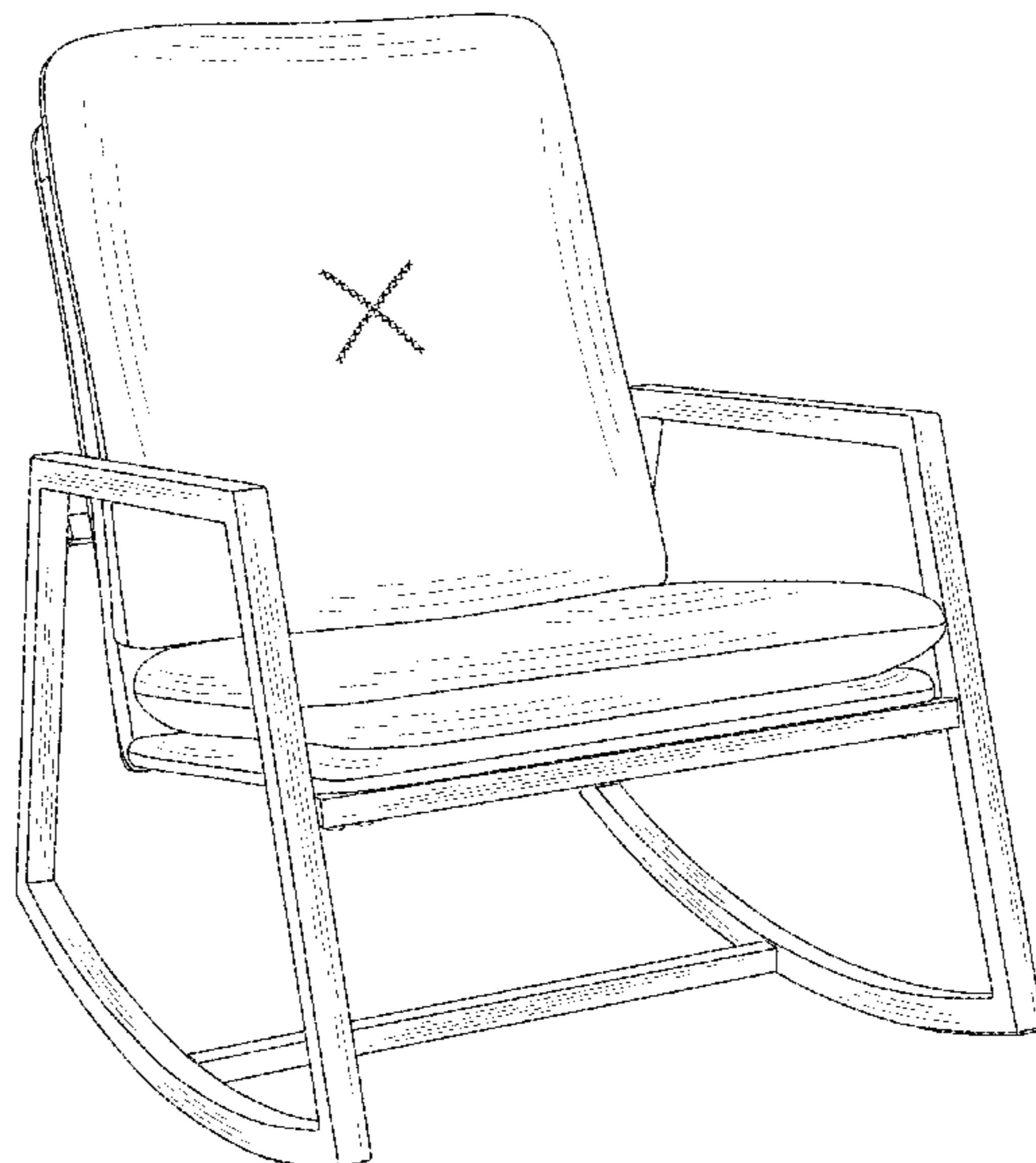
(57) **CLAIM**

The ornamental design for a chair, as shown and described.

DESCRIPTION

FIG. 1 is a front perspective view of a chair showing my new design;
FIG. 2 is a front elevation view thereof;
FIG. 3 is a rear elevation view thereof;
FIG. 4 is a left-side elevation view thereof;
FIG. 5 is a right-side elevation view thereof;
FIG. 6 is a top plan view thereof; and,
FIG. 7 is a bottom plan view thereof.
The broken lines shown in the drawings are for the purpose of illustrating portions of the article, and form no part of the claimed design.

1 Claim, 7 Drawing Sheets



(56)

References Cited

U.S. PATENT DOCUMENTS

D814,821 S *	4/2018	Velez	D6/379
D821,111 S *	6/2018	Scallions	D6/371
D848,193 S *	5/2019	Furuland	D6/718
D863,795 S *	10/2019	Foersom	D6/348
D869,866 S *	12/2019	Wang	D6/348
D873,039 S *	1/2020	Danet	D6/348
D885,777 S *	6/2020	Wang	D6/348
D887,729 S *	6/2020	Klein	D6/348
D887,730 S *	6/2020	Furuland	D6/348
2004/0084951 A1 *	5/2004	Pawlush	A47C 11/00 297/452.63

* cited by examiner

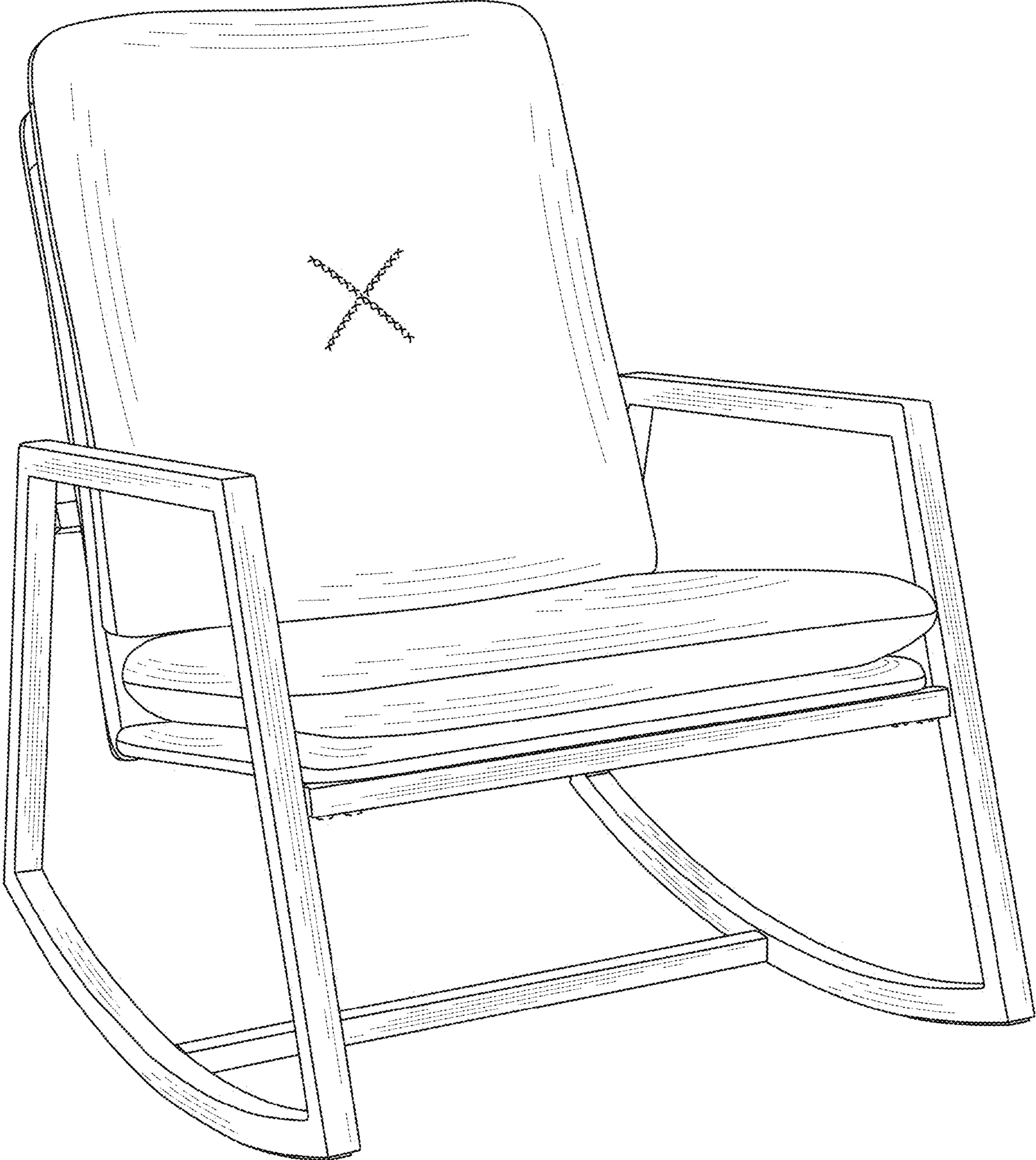


Fig. 1

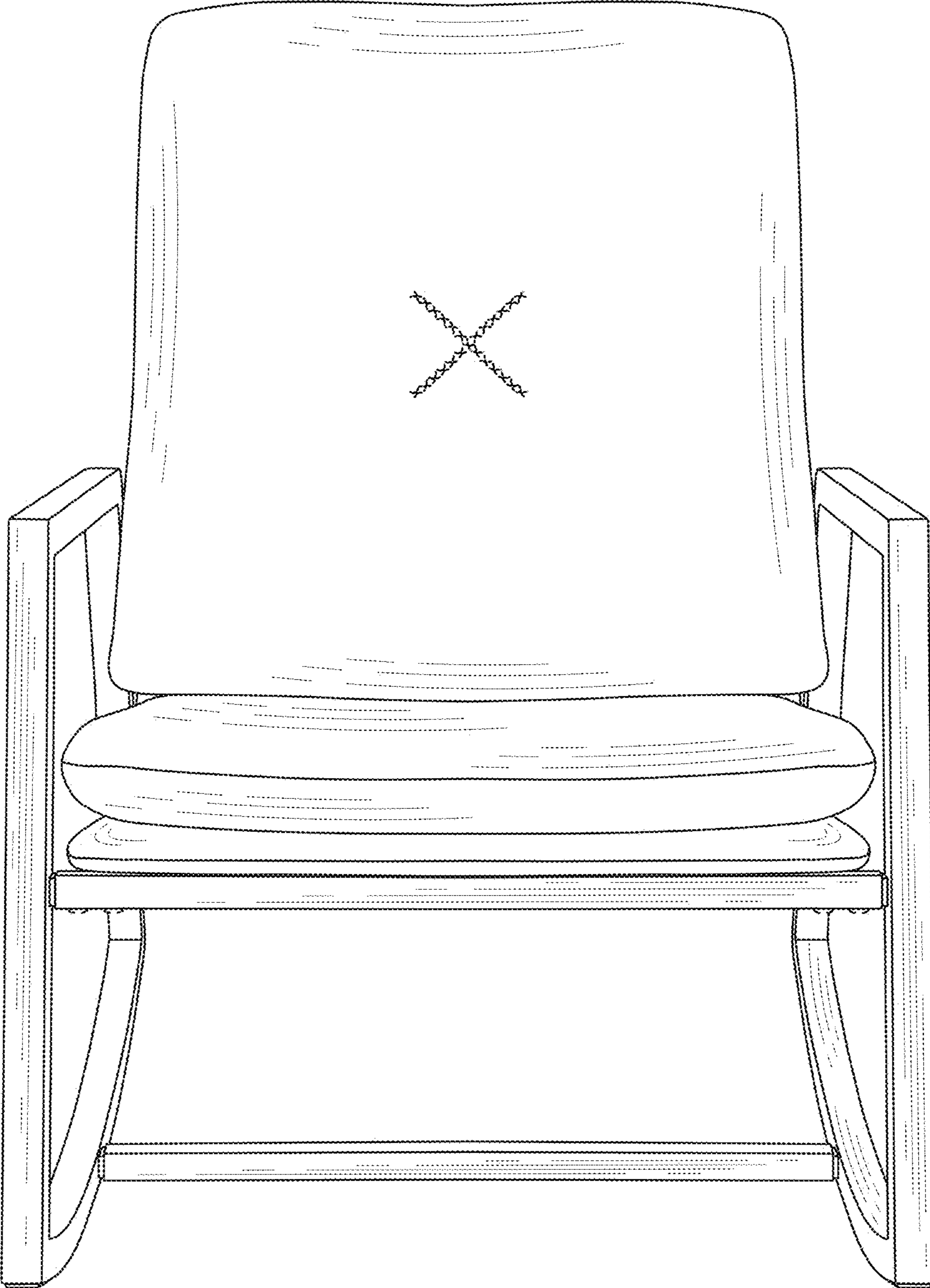


Fig. 2

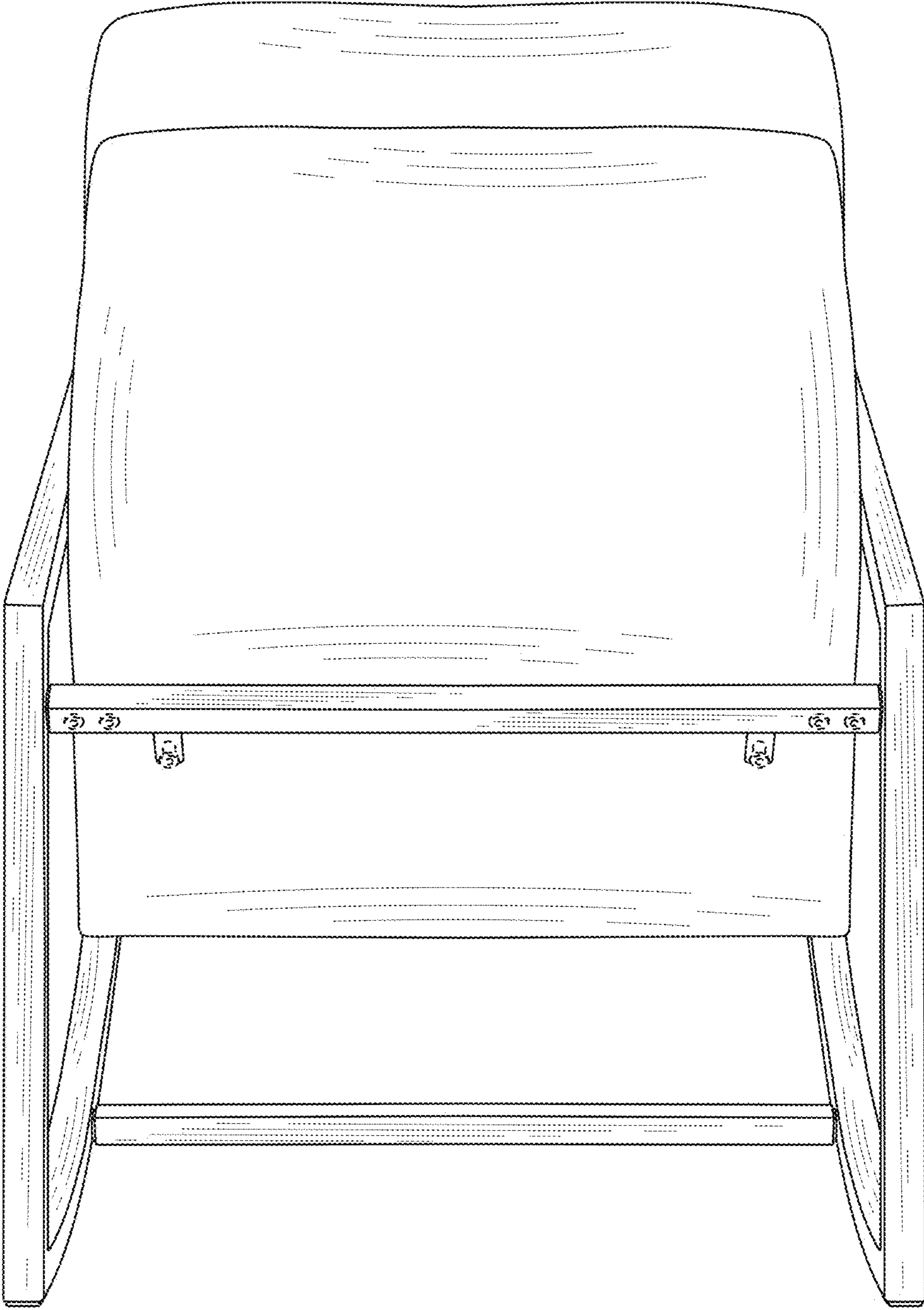


Fig. 3

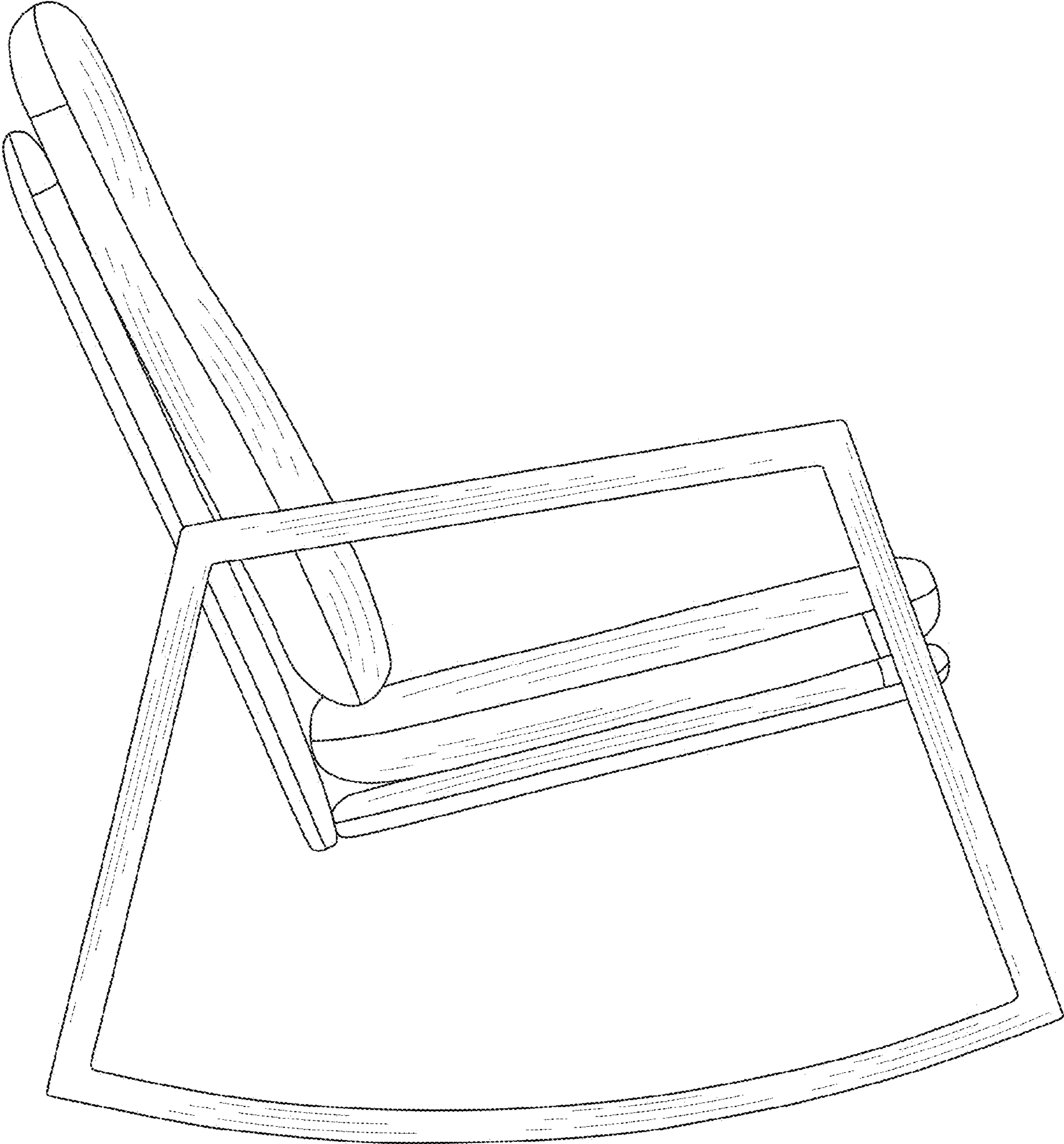


Fig. 4

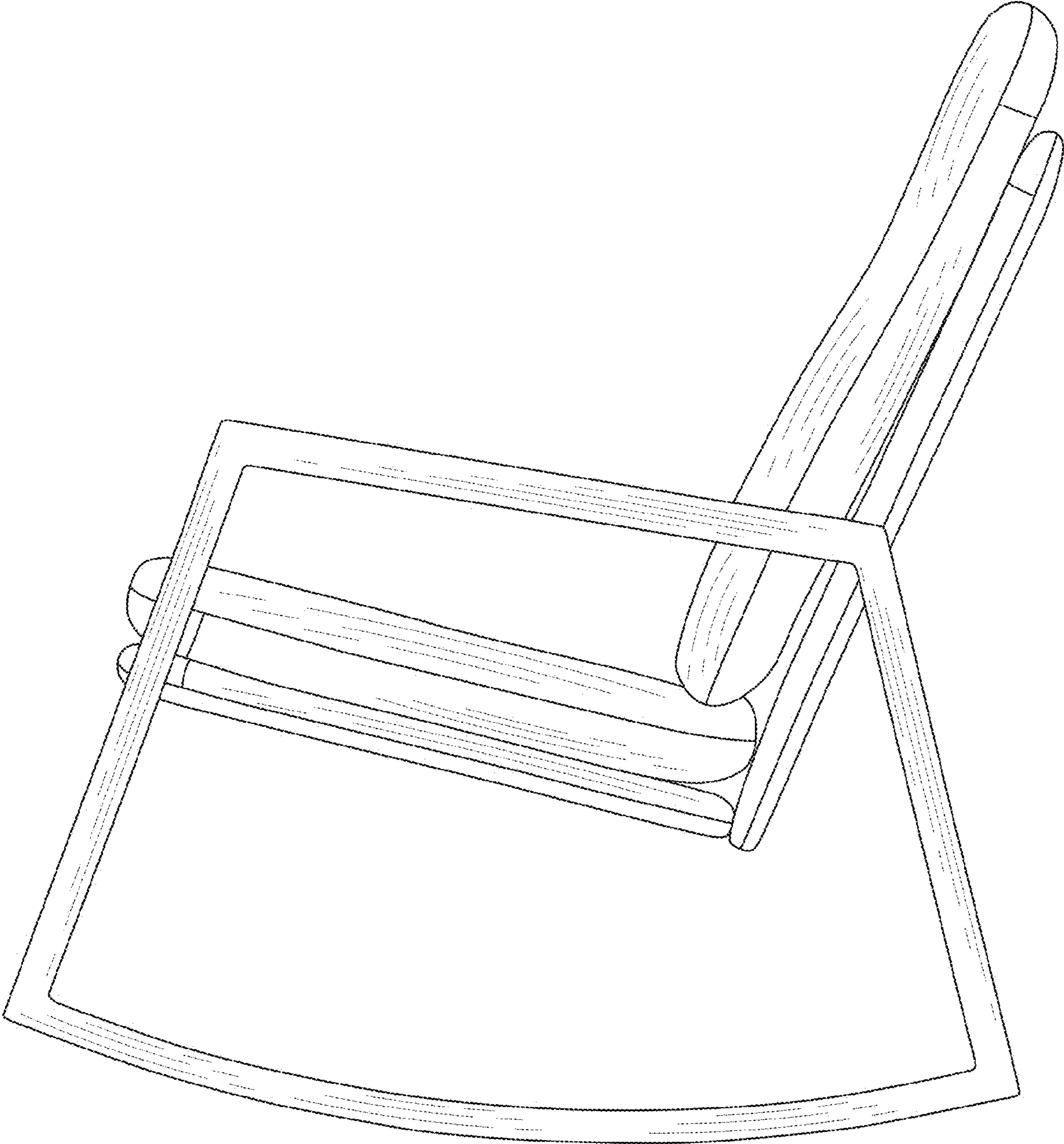


Fig. 5

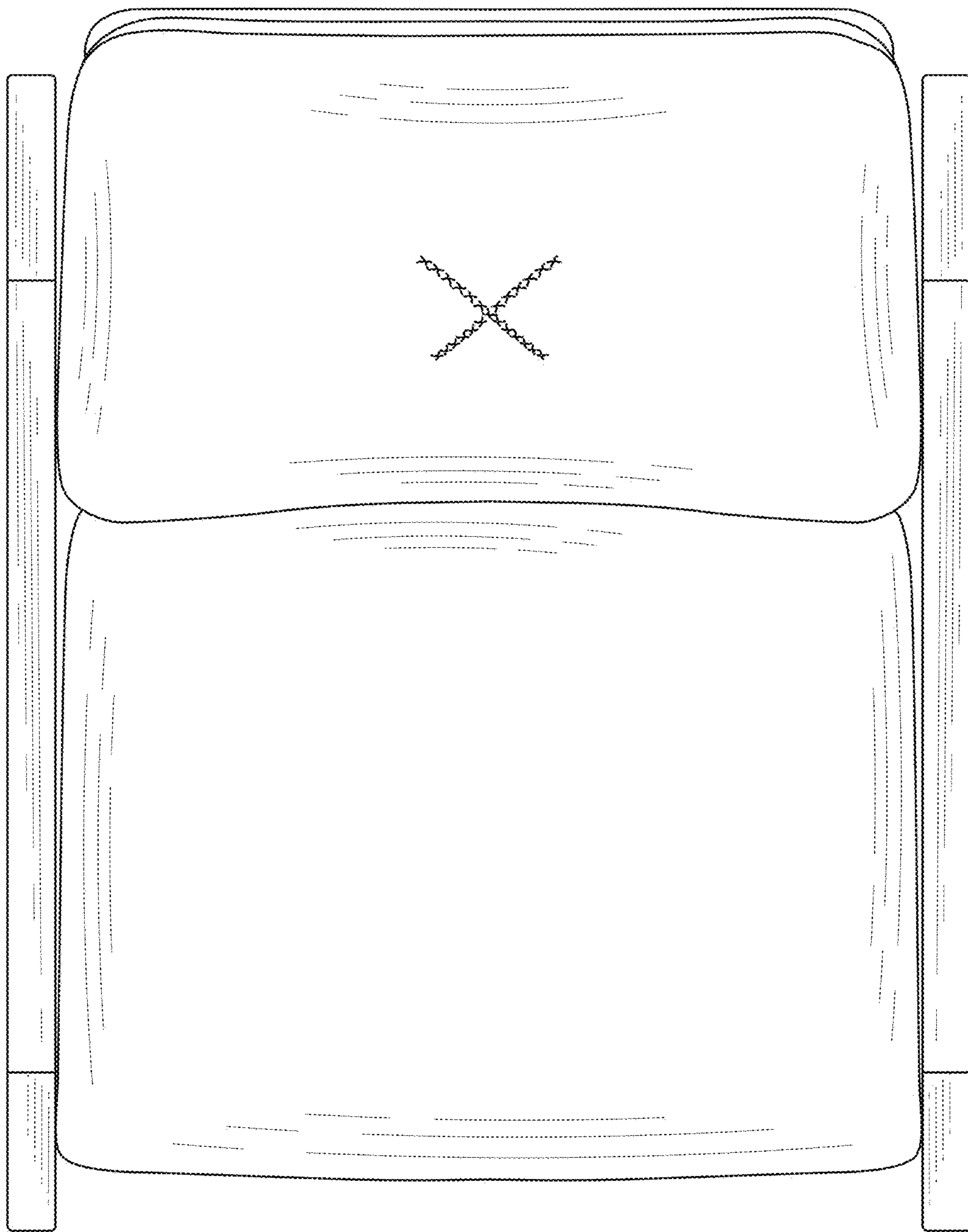


Fig. 6

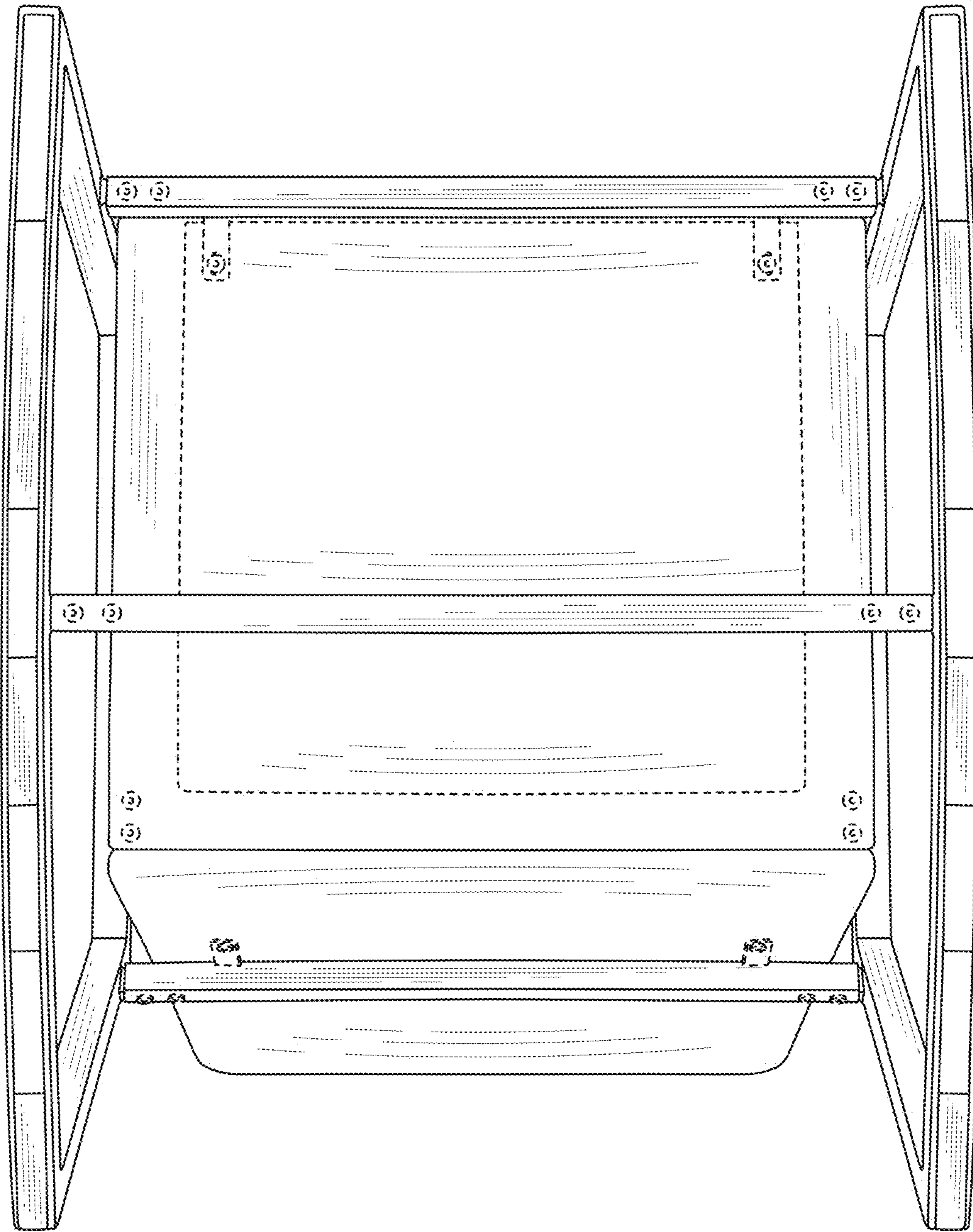


Fig. 7