



US00D912412S

(12) **United States Design Patent**
Kittilsen

(10) **Patent No.:** **US D912,412 S**
(45) **Date of Patent:** **** Mar. 9, 2021**

- (54) **HIGHCHAIR**
- (71) Applicant: **Stokke AS, Ålesund (NO)**
- (72) Inventor: **Anders August Kittilsen, Ålesund (NO)**
- (73) Assignee: **Stokke AS, Ålesund (NO)**
- (**) Term: **15 Years**
- (21) Appl. No.: **29/683,506**
- (22) Filed: **Mar. 13, 2019**
- (51) **LOC (13) Cl.** **06-01**
- (52) **U.S. Cl.**
USPC **D6/339**
- (58) **Field of Classification Search**
USPC D6/333-336, 339, 344, 702, 716,
D6/716.1-716.7; 297/183.1-183.4,
297/184.13, 184.15, 184.17, 250.1, 255,
297/256.1, 256.15, 219.12, 463.1;
D12/129-130, 133; D21/412, 428, 419;
280/30-31; 5/94, 98.1, 99.1, 101-102,
5/105, 655, 93.1, 12.1; 24/200
CPC A47D 13/02; A47D 13/10; A47D 13/083;
A47D 1/00; A47D 1/002; A47D 1/004;
A47D 1/008; A47D 1/04; B60N 2/22;
B60N 2/24; B60N 2/2821; B60N 2/02;
B60N 2/10; B60N 2/16; B60N
2002/0212; B60N 2002/0216; B60N
2002/022; A47C 3/00; A47C 3/02; A47C
3/025; A47C 3/20
See application file for complete search history.

2,008,392 A	7/1935	Heller
D106,220 S	9/1937	Scribner
D114,435 S	4/1939	Berna
D131,679 S	3/1942	Greenbaum
D175,781 S	10/1955	Kranz
3,335,434 A	8/1967	Gamon
D227,828 S	7/1973	Heyl
4,109,961 A	8/1978	Opsvik
4,650,246 A	3/1987	Henriksson
D294,429 S	3/1988	Vasquez
4,747,526 A	5/1988	Launes
D298,388 S	11/1988	Wise et al.
D298,987 S	12/1988	Tiffany
D308,656 S	6/1990	Takahashi et al.
5,317,765 A	6/1994	Knoedler et al.
5,334,099 A	8/1994	Marra et al.
D356,447 S	3/1995	Peters
5,438,043 A	8/1995	Ljungqvist
D362,554 S	9/1995	Grundner

(Continued)

FOREIGN PATENT DOCUMENTS

DE	9312828 U1	11/1993
DE	4329692 C2	11/1998

(Continued)

Primary Examiner — Abraham Bahta
(74) *Attorney, Agent, or Firm* — Kolisch Hartwell, P.C.

(57) **CLAIM**

The ornamental design for a highchair, as shown and described.

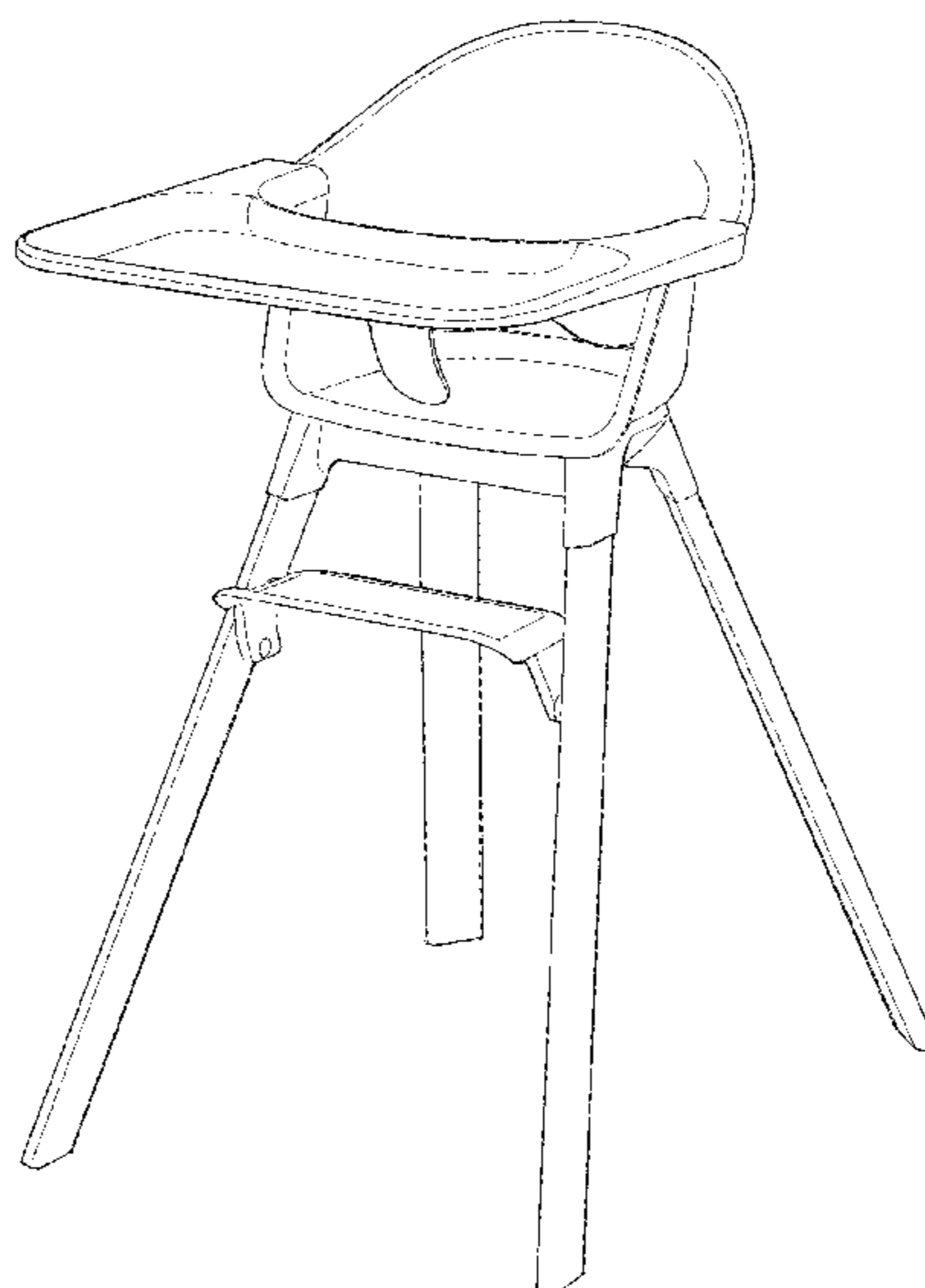
DESCRIPTION

FIG. 1 is a front and left side perspective view of a highchair showing the new design;
FIG. 2 is a right side elevation view thereof;
FIG. 3 is a front elevation view thereof;
FIG. 4 is a left side elevation view thereof;
FIG. 5 is a rear elevation view thereof;
FIG. 6 is a top plan view thereof; and,
FIG. 7 is a bottom plan view thereof.

1 Claim, 6 Drawing Sheets

(56) **References Cited**
U.S. PATENT DOCUMENTS

132,762 A	11/1872	Haupt
375,471 A	12/1887	Binder
769,495 A	9/1904	Schroeder
1,178,894 A	4/1916	Wilcox



(56)

References Cited

U.S. PATENT DOCUMENTS

D365,449 S 12/1995 Wood
 D367,181 S 2/1996 Peters
 D370,569 S 6/1996 Opsvik
 D381,817 S 8/1997 Cone, II
 D381,818 S 8/1997 Wood
 5,687,433 A 11/1997 Gamer et al.
 5,730,493 A 3/1998 Fomasari et al.
 5,810,432 A 9/1998 Haut et al.
 5,860,696 A 1/1999 Opsvik et al.
 5,927,805 A 7/1999 Hilger et al.
 6,024,412 A 2/2000 Kain et al.
 D426,965 S 6/2000 Wu
 D428,715 S 8/2000 Brevi
 D432,798 S 10/2000 Boney
 D441,209 S 5/2001 Hagstrom
 6,416,132 B1 7/2002 Norton et al.
 D478,219 S 8/2003 Greger
 6,626,487 B1 9/2003 Buitendach
 D493,020 S 7/2004 Resfum
 D499,990 S 12/2004 Refsum et al.
 D503,546 S 4/2005 Oxseth
 D505,366 S 5/2005 Refsum et al.
 D510,716 S 10/2005 Refsum et al.
 D519,258 S 4/2006 Resfum
 D522,210 S 5/2006 Resfum
 D525,423 S 7/2006 Oxseth
 D526,601 S 8/2006 Oxseth
 D546,081 S 7/2007 Babikian
 D566,014 S 4/2008 Myers

D576,084 S 9/2008 Dotsey et al.
 D582,693 S 12/2008 da Costa
 D590,608 S 4/2009 Ebina
 D599,143 S 9/2009 Opsvik
 D603,175 S 11/2009 Jacobs et al.
 D614,893 S 5/2010 Opsvik
 D631,402 S 1/2011 Bagwell et al.
 D641,180 S 7/2011 Kennedy et al.
 7,992,935 B2 8/2011 Opsvik
 D651,139 S 12/2011 Angelfoss et al.
 D654,409 S 2/2012 Angelfoss et al.
 8,152,239 B2 4/2012 Opsvik
 D663,539 S 7/2012 Chuah
 D668,068 S 10/2012 Chuah
 D679,915 S 4/2013 Sturmeiy
 D683,143 S * 5/2013 Gold D6/339
 D730,070 S * 5/2015 Daley D6/339
 D764,819 S * 8/2016 Daley D6/339
 D769,630 S * 10/2016 Daley D6/339
 D779,842 S * 2/2017 Chuah D6/339
 D867,773 S * 11/2019 Wang D6/339

FOREIGN PATENT DOCUMENTS

DE 10202735 A1 8/2003
 DE 10229436 A1 1/2004
 EP 0182761 B1 4/1988
 EP 1388311 A1 2/2004
 FR 2856564 B3 10/2005
 WO WO9530360 A1 11/1995

* cited by examiner



Fig. 1

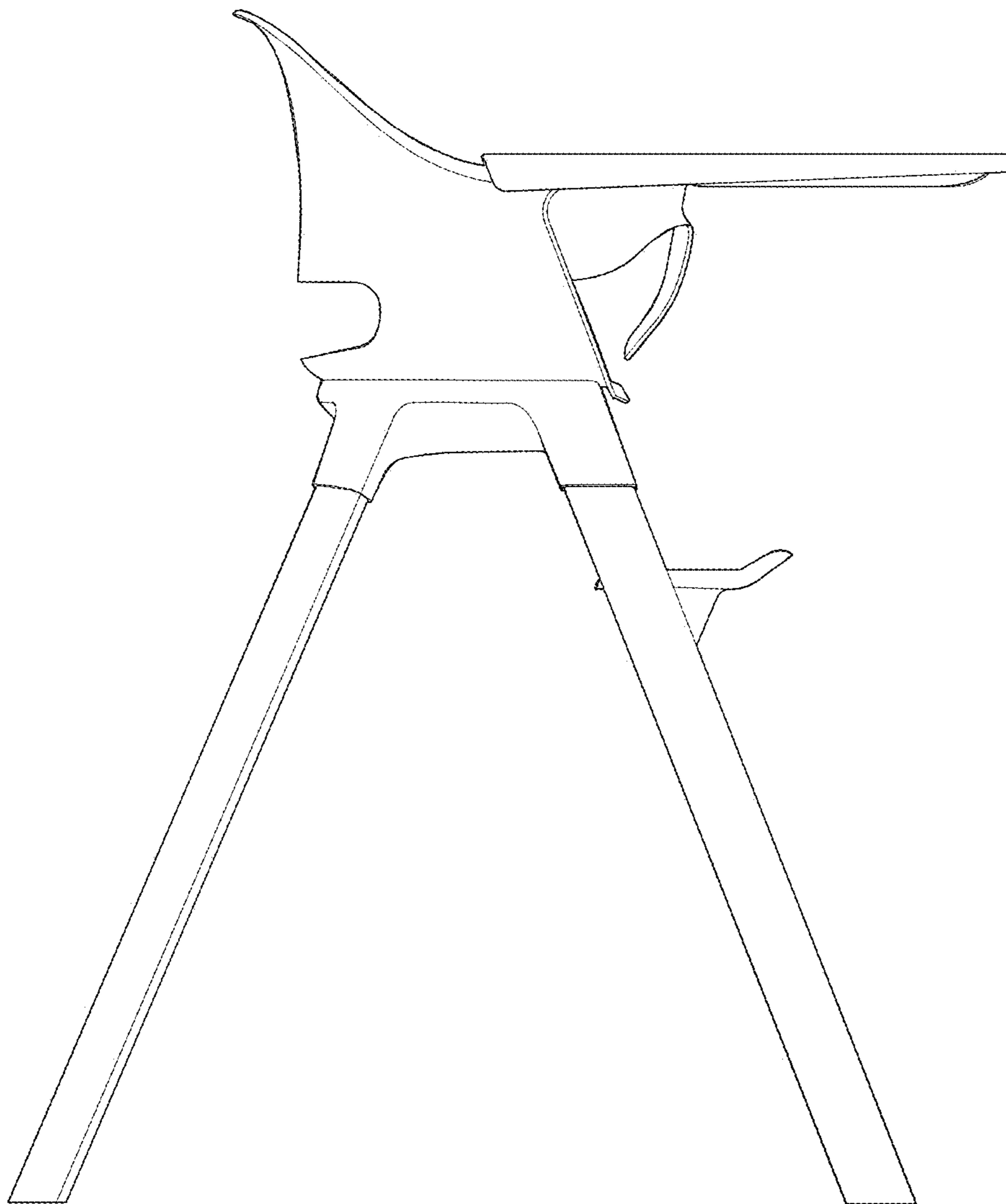


Fig. 2

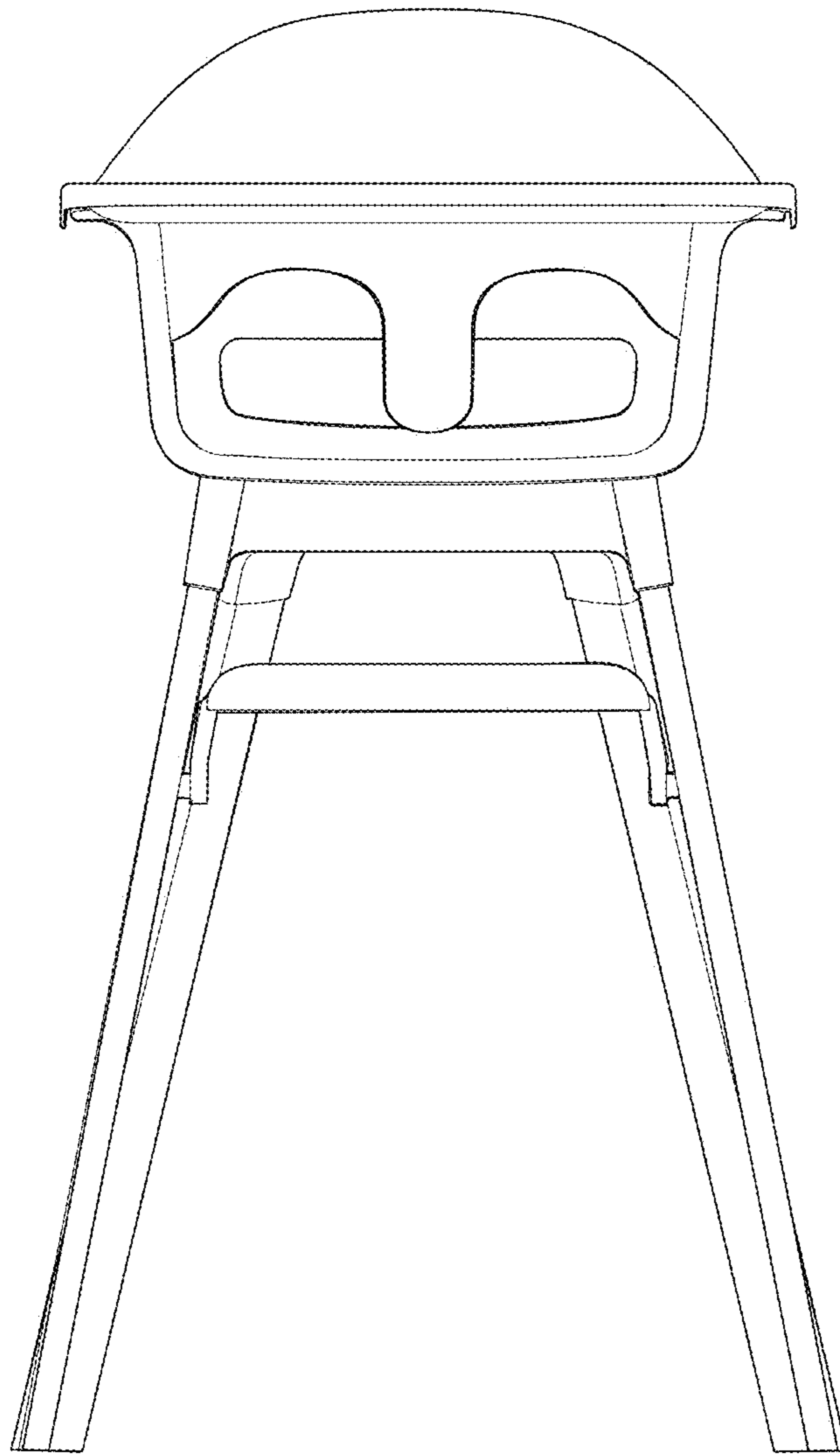


Fig. 3

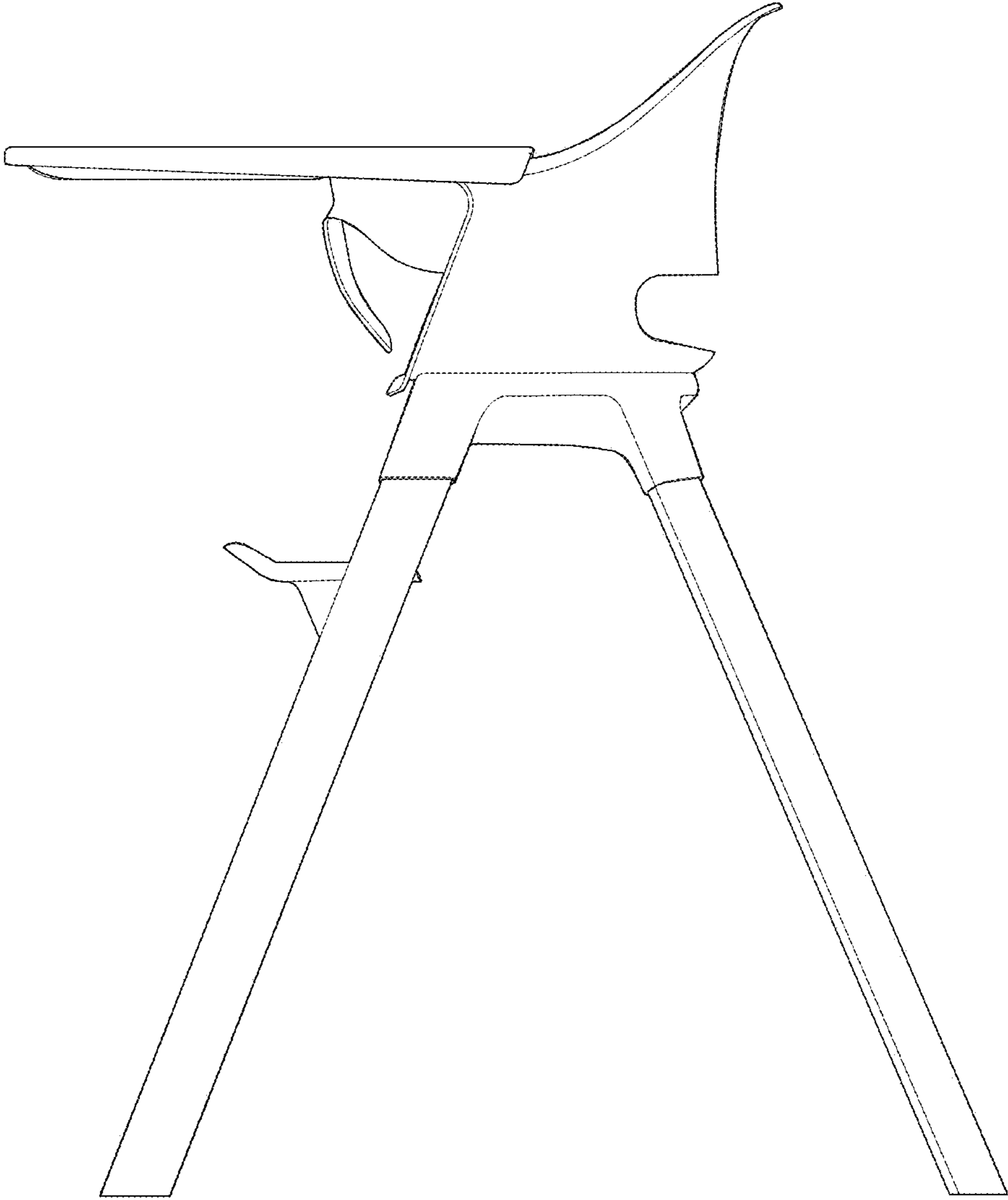


Fig. 4

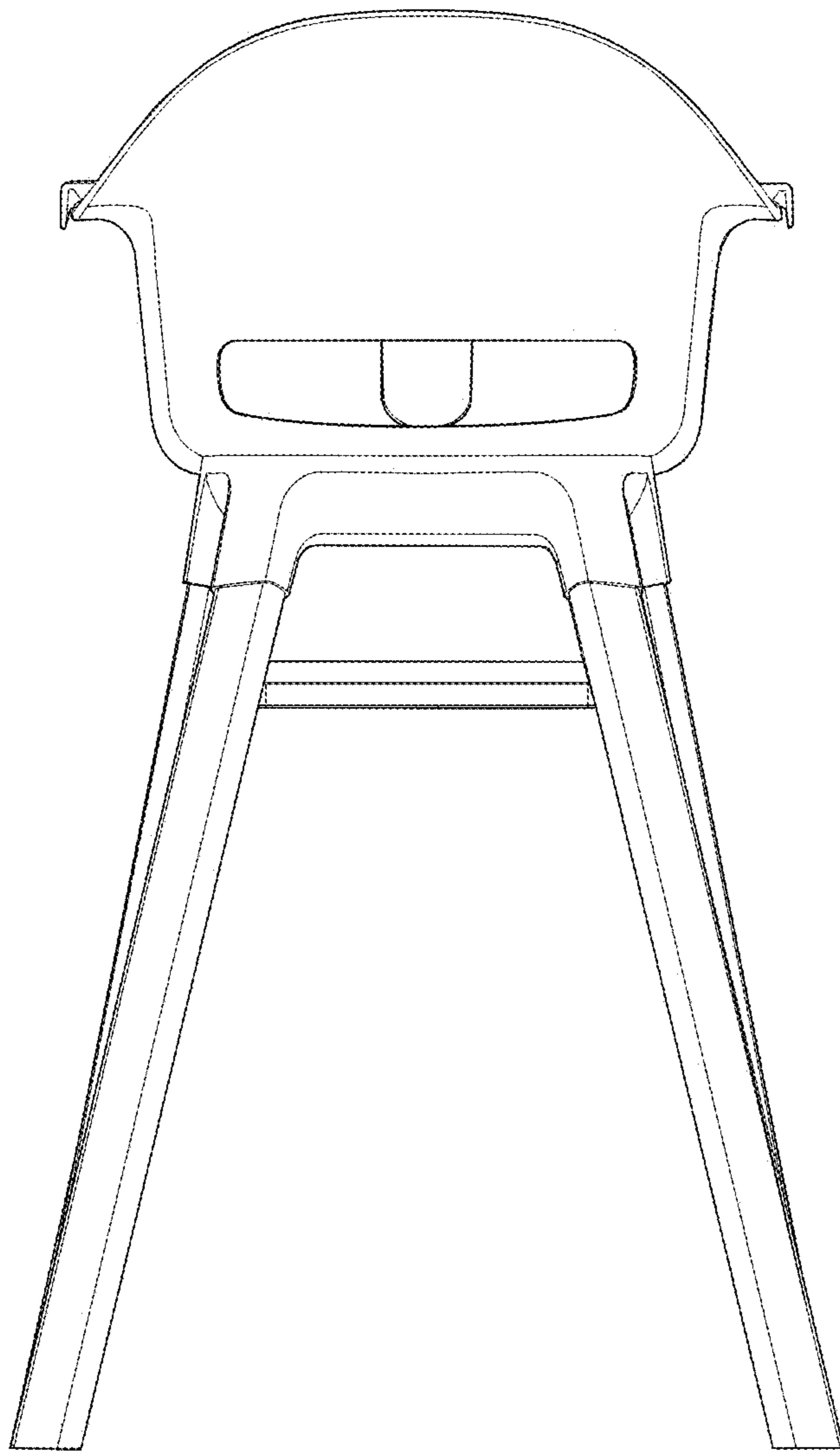


Fig. 5

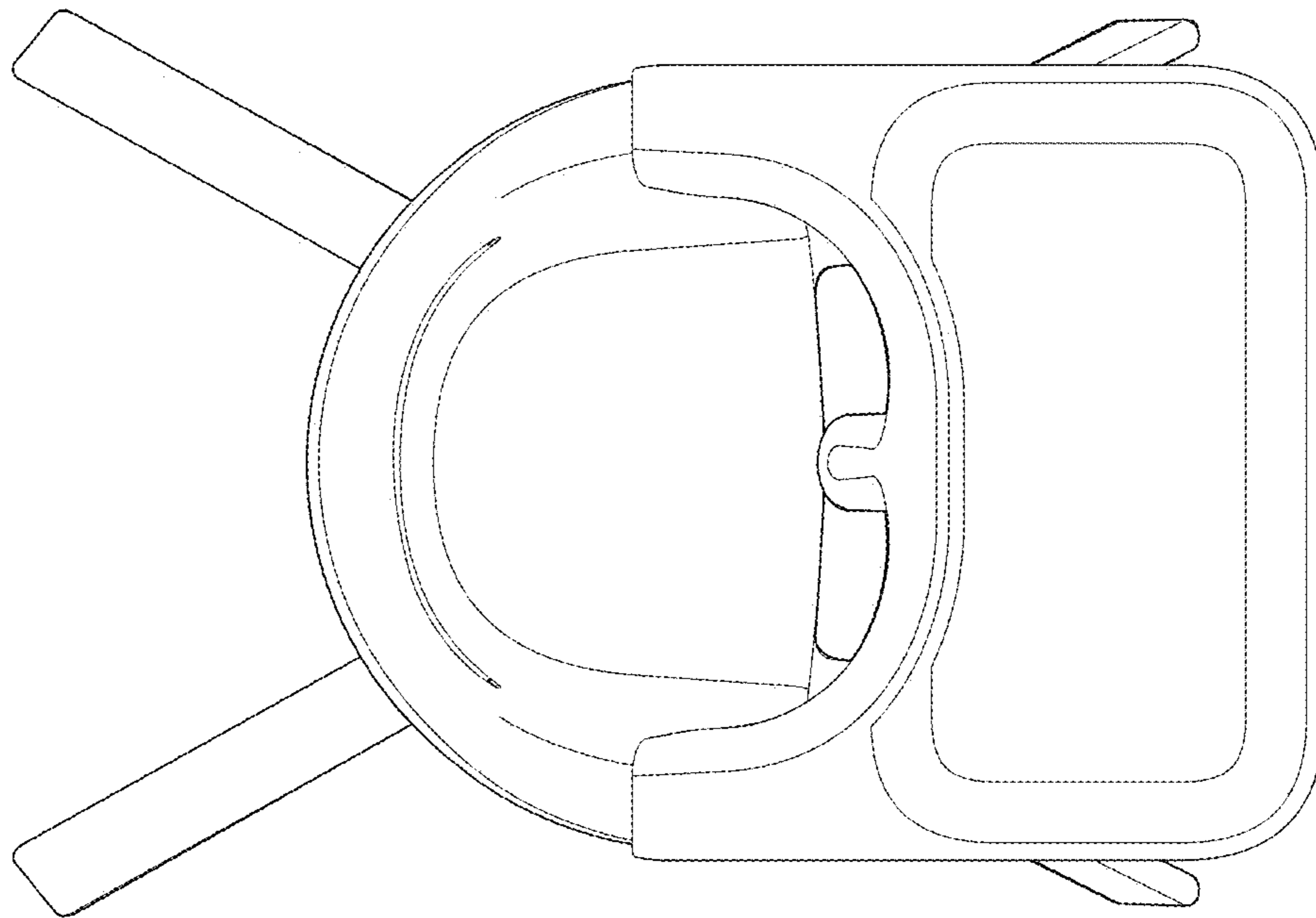


Fig. 6

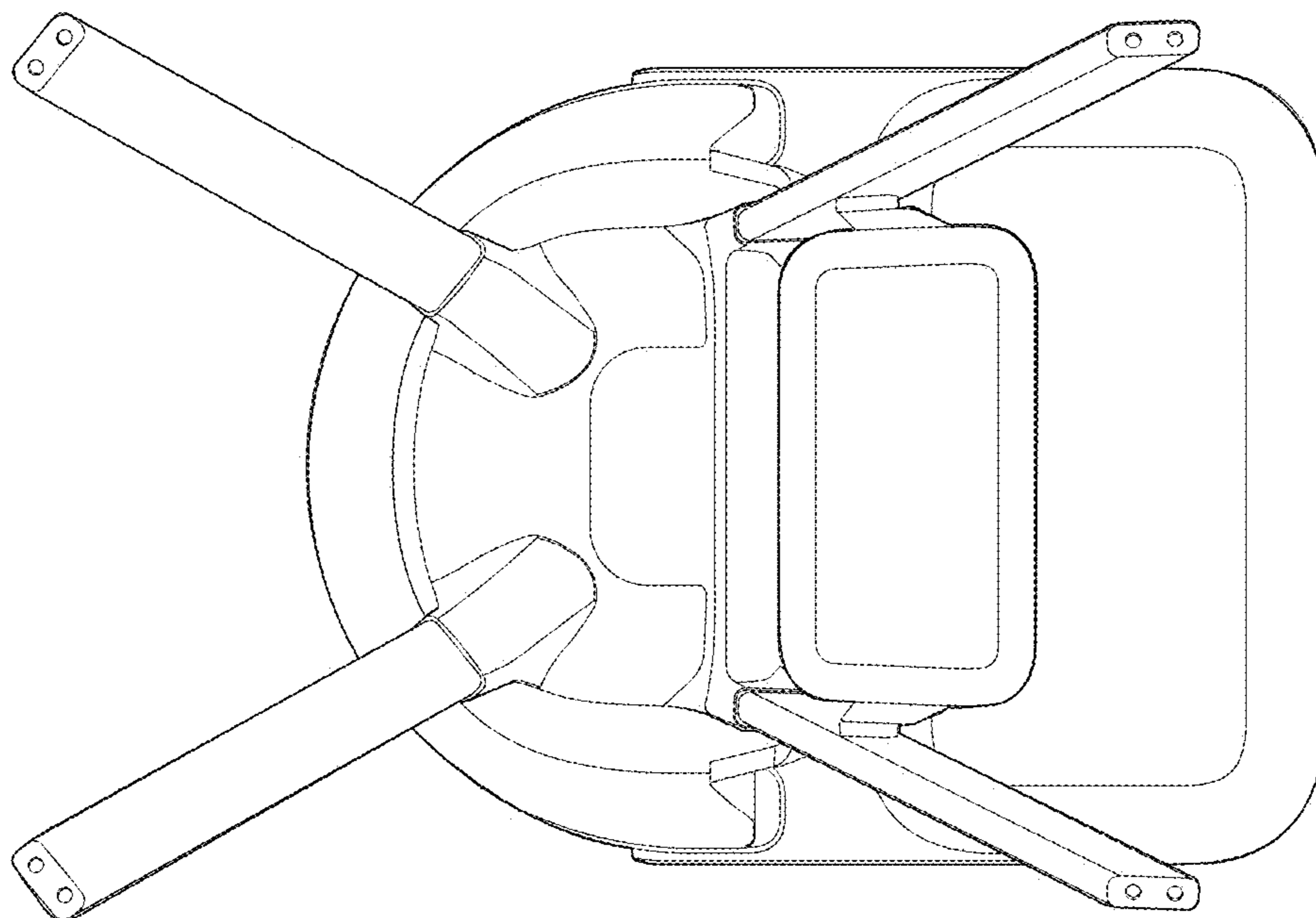


Fig. 7