



US00D912407S

(12) **United States Design Patent** (10) **Patent No.:** **US D912,407 S**
Park (45) **Date of Patent:** **** *Mar. 9, 2021**

- (54) **COSMETIC APPLICATOR**
- (71) Applicants: **Aisance Company Limited**, Bangkok (TH); **Cosmax (Thailand) Company Limited**, Samutprakarn Province (TH)
- (72) Inventor: **Jae Hyun Park**, Samutprakarn Province (TH)
- (73) Assignees: **AISANCE COMPANY LIMITED; COSMAX (THAILAND) COMPANY LIMITED**
- (*) Notice: This patent is subject to a terminal disclaimer.
- (**) Term: **15 Years**
- (21) Appl. No.: **29/671,961**
- (22) Filed: **Nov. 30, 2018**
- (51) **LOC (13) Cl.** **04-01**
- (52) **U.S. Cl.**
USPC **D4/114**
- (58) **Field of Classification Search**
USPC D4/114, 116, 120, 128, 133; D28/77, 76, D28/7; D19/161, 117
CPC A46B 5/04; A46B 5/005; A45D 40/265; A45D 19/00; A45D 34/045; A45D 40/20; A45D 40/267
See application file for complete search history.

- 6,067,997 A * 5/2000 Gueret A45D 40/267 132/218
- D433,706 S * 11/2000 Panda D19/161
- 6,883,990 B2 * 4/2005 Shih A45D 40/20 206/15.2
- 7,429,141 B2 * 9/2008 Habatjou A46B 5/005 401/126
- 7,448,393 B2 * 11/2008 Beak A45D 34/045 132/218
- D616,608 S * 5/2010 Maddy D28/76
- 9,955,770 B2 * 5/2018 Pires A45D 40/265

* cited by examiner

Primary Examiner — Rhea Shields
(74) *Attorney, Agent, or Firm* — Kim IP Law Group PLLC

(57) **CLAIM**

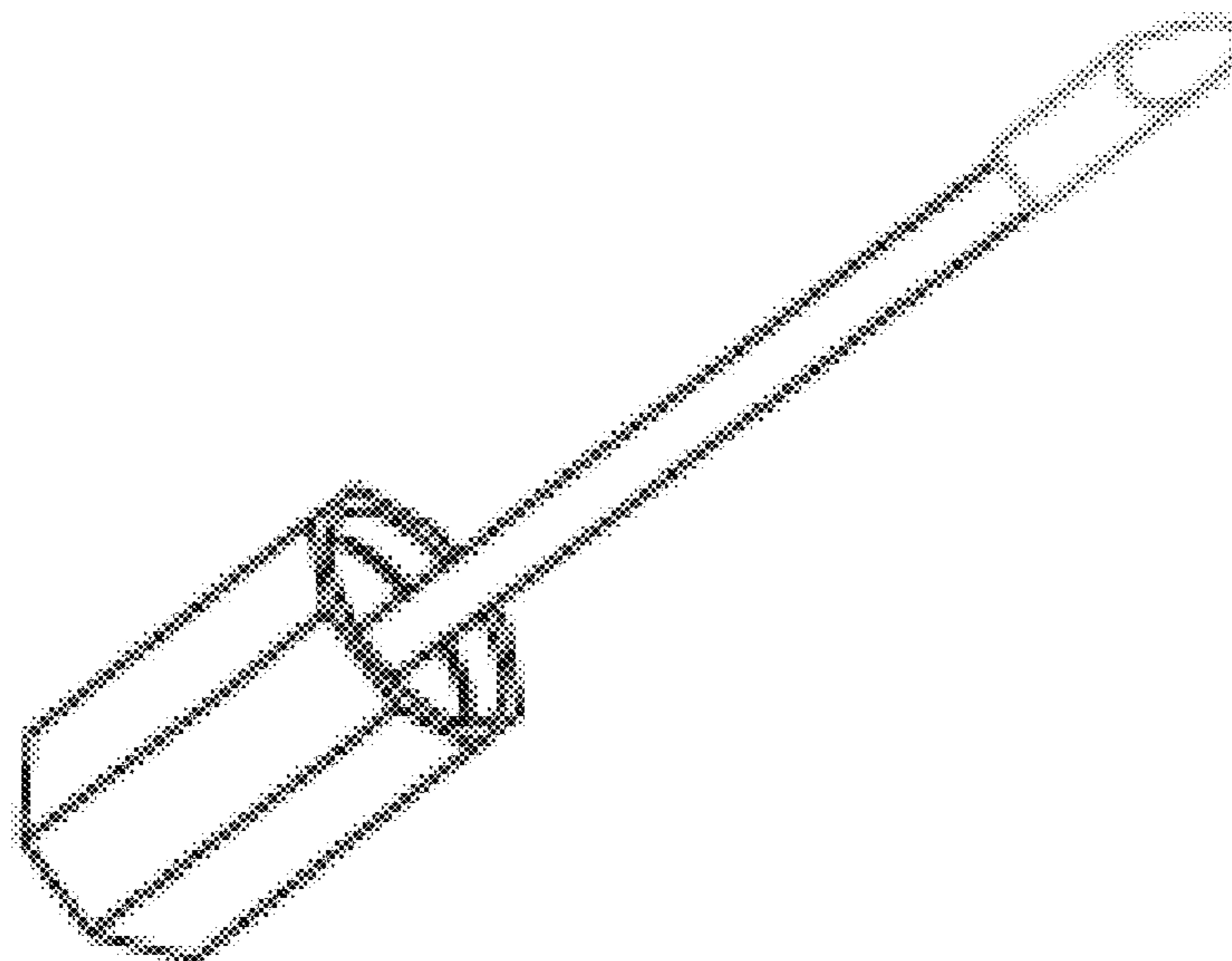
The ornamental design for a cosmetic applicator, as shown and described.

DESCRIPTION

FIG. 1 is a perspective view of a cosmetic applicator in accordance with the new design;
 FIG. 2 is a right perspective view of the cosmetic applicator of FIG. 1;
 FIG. 3 is a left perspective view of the cosmetic applicator of FIG. 1;
 FIG. 4 is a rear side perspective view of the cosmetic applicator of FIG. 1;
 FIG. 5 is a front side perspective view of the cosmetic applicator of FIG. 1;
 FIG. 6 is a bottom plan view of the cosmetic applicator of FIG. 1; and,
 FIG. 7 is a top plan view of the cosmetic applicator of FIG. 1.

In the drawings, the broken lines are for the purpose of illustrating a portion of the cosmetic applicator and forms no part of the claimed design.

1 Claim, 3 Drawing Sheets



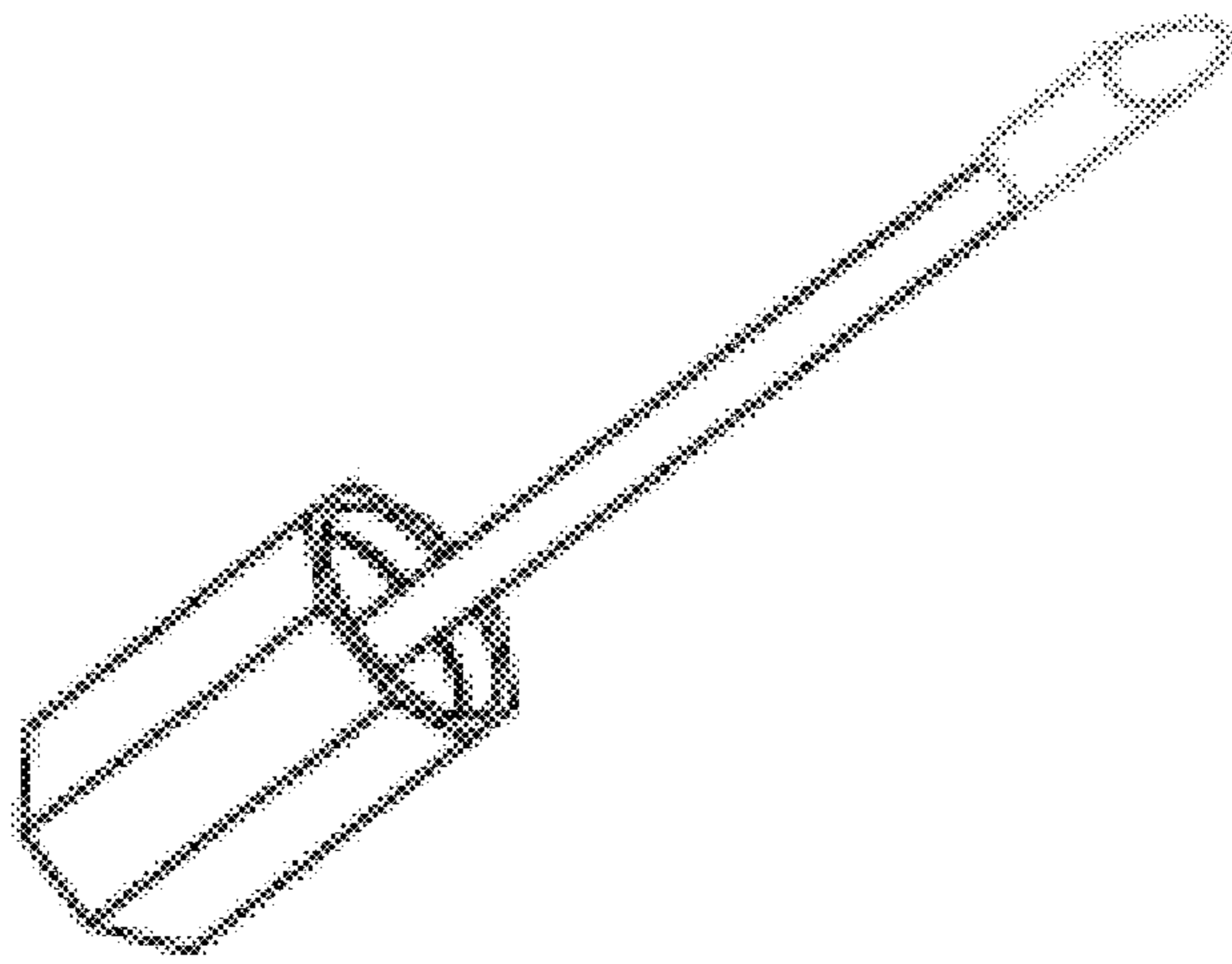


FIG. 1

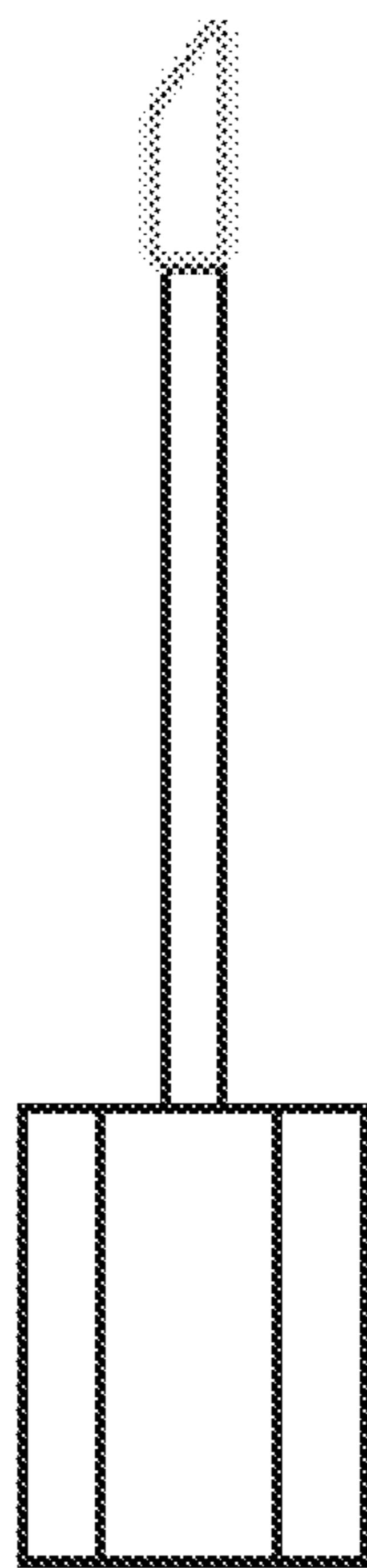


FIG. 2

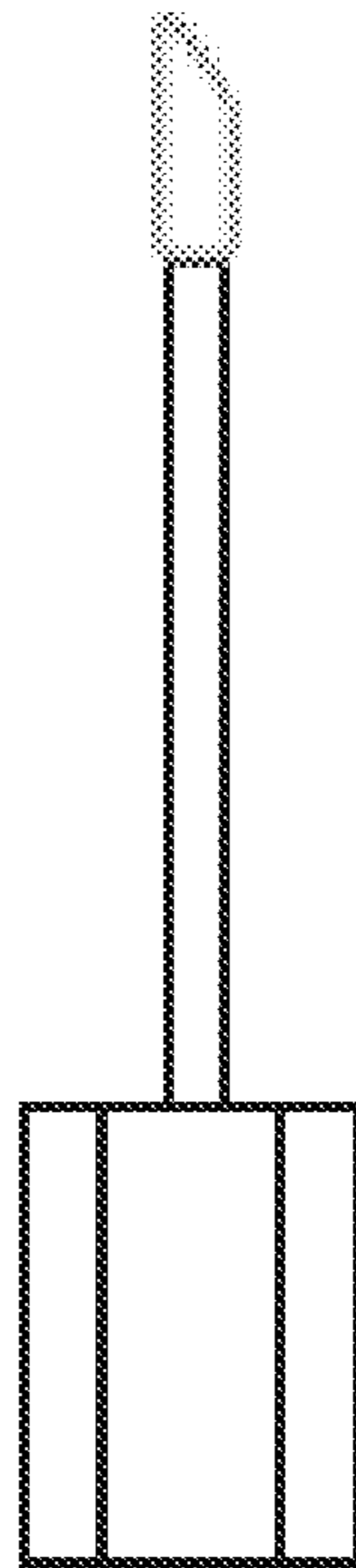


FIG. 3

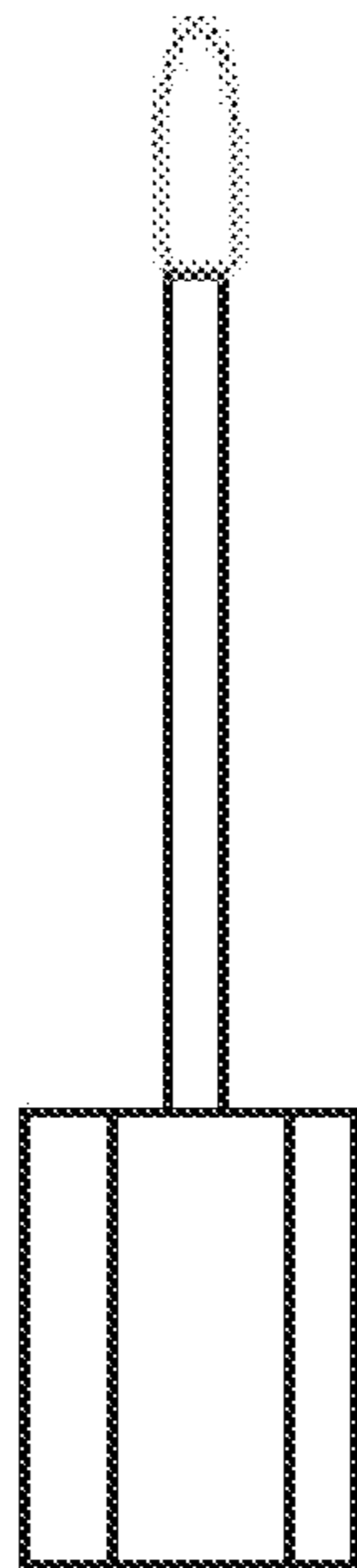


FIG. 4

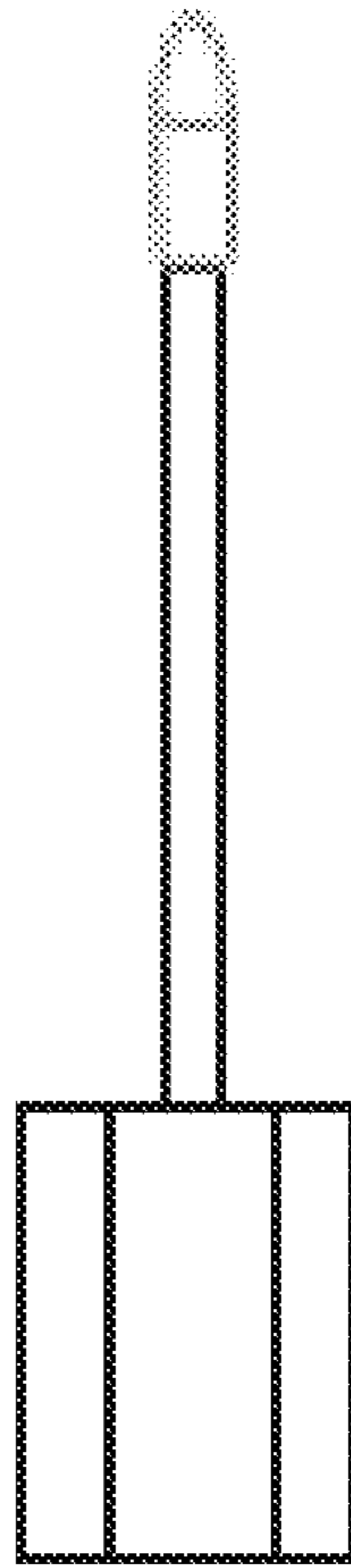


FIG. 5

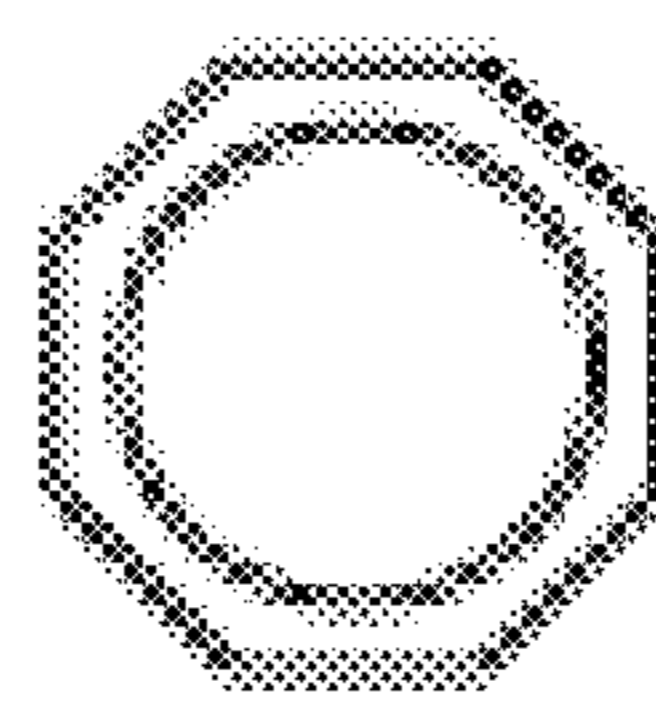


FIG. 6

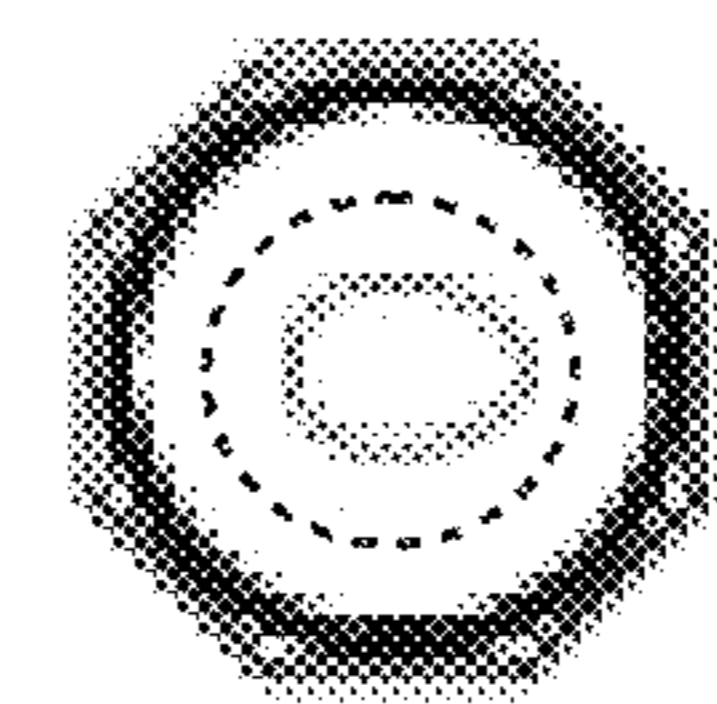


FIG. 7

UNITED STATES PATENT AND TRADEMARK OFFICE
CERTIFICATE OF CORRECTION

PATENT NO. : D912,407 S
APPLICATION NO. : 29/671961
DATED : March 9, 2021
INVENTOR(S) : Jae Hyun Park

Page 1 of 1

It is certified that error appears in the above-identified patent and that said Letters Patent is hereby corrected as shown below:

On the Title Page

Please add the following text:

This patent claims priority under 35 U.S.C. § 119(a)-(d) to Thailand Patent Application No. 1802003981, filed September 19, 2018.

Signed and Sealed this
Fourth Day of May, 2021



Drew Hirshfeld
*Performing the Functions and Duties of the
Under Secretary of Commerce for Intellectual Property and
Director of the United States Patent and Trademark Office*