



US00D912405S

(12) **United States Design Patent**  
**Zhang**

(10) **Patent No.:** **US D912,405 S**

(45) **Date of Patent:** **\*\* Mar. 9, 2021**

(54) **HOT AIR STYLING HAIRBRUSH**  
(71) Applicant: **Wenzhou Shi Labo Electric Co., Ltd.,**  
Wenzhou (CN)

(72) Inventor: **Lincheng Zhang,** Wenzhou (CN)

(73) Assignee: **WENZHOU SHI LABO ELECTRIC**  
**CO. LTD.,** Wenzhou (CN)

(\*\*) Term: **15 Years**

(21) Appl. No.: **29/717,598**

(22) Filed: **Dec. 18, 2019**

(51) **LOC (13) Cl.** ..... **28-03**

(52) **U.S. Cl.**  
USPC ..... **D4/100; D28/35**

(58) **Field of Classification Search**  
USPC ..... D4/100, 102, 127, 128, 130, 137, 138,  
D4/199; D28/10, 13, 25, 26, 28, 35  
CPC ..... A45D 20/00; A45D 20/08; A45D 20/50;  
A45D 20/52  
See application file for complete search history.

(56) **References Cited**

**U.S. PATENT DOCUMENTS**

D227,615 S *	7/1973	Chambon	.....	D28/13
D299,976 S *	2/1989	Elkerbout	.....	D28/13
D383,245 S *	9/1997	Seifert	.....	D28/13
D401,382 S *	11/1998	Seifert	.....	D28/13
6,725,562 B2 *	4/2004	Nakagawa	.....	A45D 20/12
				34/96
D537,566 S *	2/2007	Kondo	.....	D28/13
D604,011 S *	11/2009	Leung	.....	D28/13
D803,479 S *	11/2017	Collier	.....	D28/13
D827,198 S *	8/2018	Abdul	.....	D28/13
D841,881 S *	2/2019	Lee	.....	D28/13

D847,421 S *	4/2019	Tappenden	.....	D28/18
D848,063 S *	5/2019	Tappenden	.....	D28/18
D848,066 S *	5/2019	Coulton	.....	D28/18
D852,416 S *	6/2019	Coulton	.....	D28/18
2017/0273431 A1 *	9/2017	Courtney	.....	A46B 11/00

**FOREIGN PATENT DOCUMENTS**

CN	3563367	*	9/2006
JP	D1257499	*	12/2005
JP	D1428004	*	11/2011

**OTHER PUBLICATIONS**

LENA Hair Dryer Brush And Volumizer . . . [on-line]. [Original publication date unknown.] [Retrieved from the Internet Sep. 27, 2020.] URL: >[https://www.amazon.com/LENA-Hair-Dryer-Brush-Volumizer/dp/B08CXBGBDJ/ref=sr\\_1\\_5?dchild=1&keywords=lena+styler&qid=1601261660&sr=8-5](https://www.amazon.com/LENA-Hair-Dryer-Brush-Volumizer/dp/B08CXBGBDJ/ref=sr_1_5?dchild=1&keywords=lena+styler&qid=1601261660&sr=8-5) (Year: 2020).\*

\* cited by examiner

*Primary Examiner* — Karen E Eldridge Powers  
(74) *Attorney, Agent, or Firm* — Kelly & Kelley, LLP

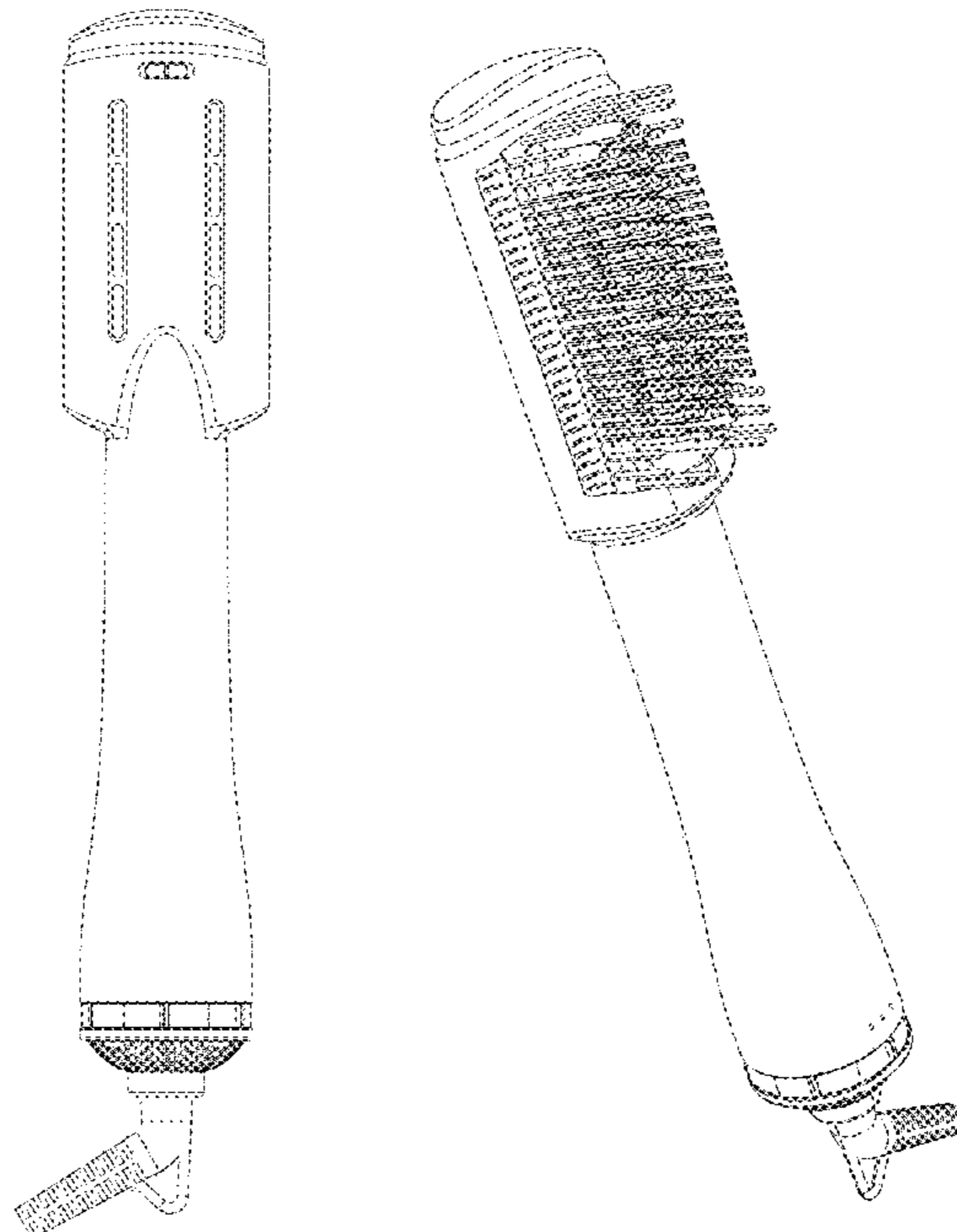
(57) **CLAIM**

The ornamental design for a hot air styling hairbrush, as shown and described.

**DESCRIPTION**

FIG. 1 is an enlarged top plan view of a hot air styling hairbrush embodying my new design;  
FIG. 2 is an enlarged bottom plan view thereof;  
FIG. 3 is a front elevational view thereof;  
FIG. 4 is a rear elevational view thereof;  
FIG. 5 is a right-side elevational view thereof;  
FIG. 6 is a left-side elevational view thereof; and,  
FIG. 7 is a front, top and left-side perspective view thereof.

**1 Claim, 6 Drawing Sheets**



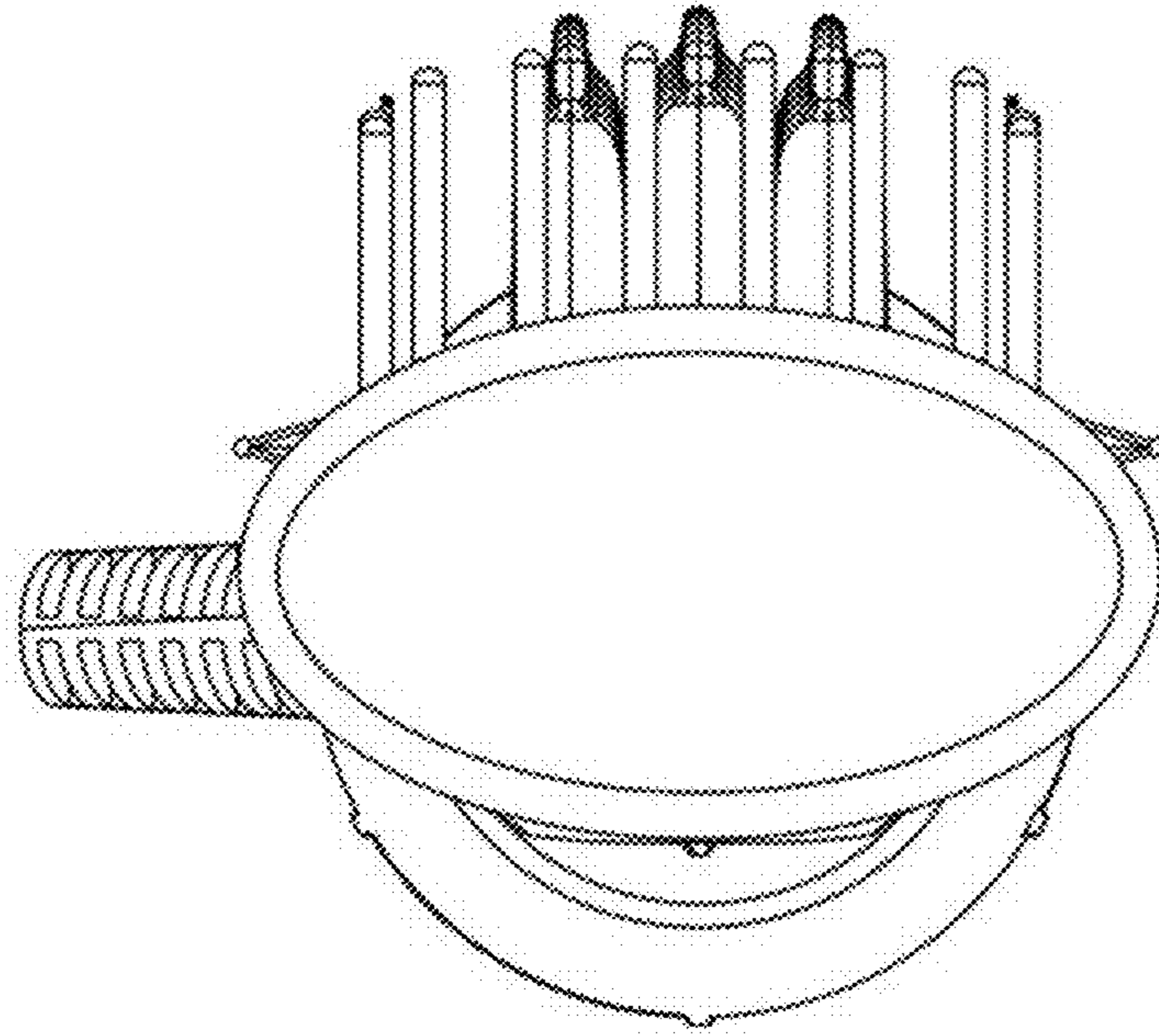


FIG. 1

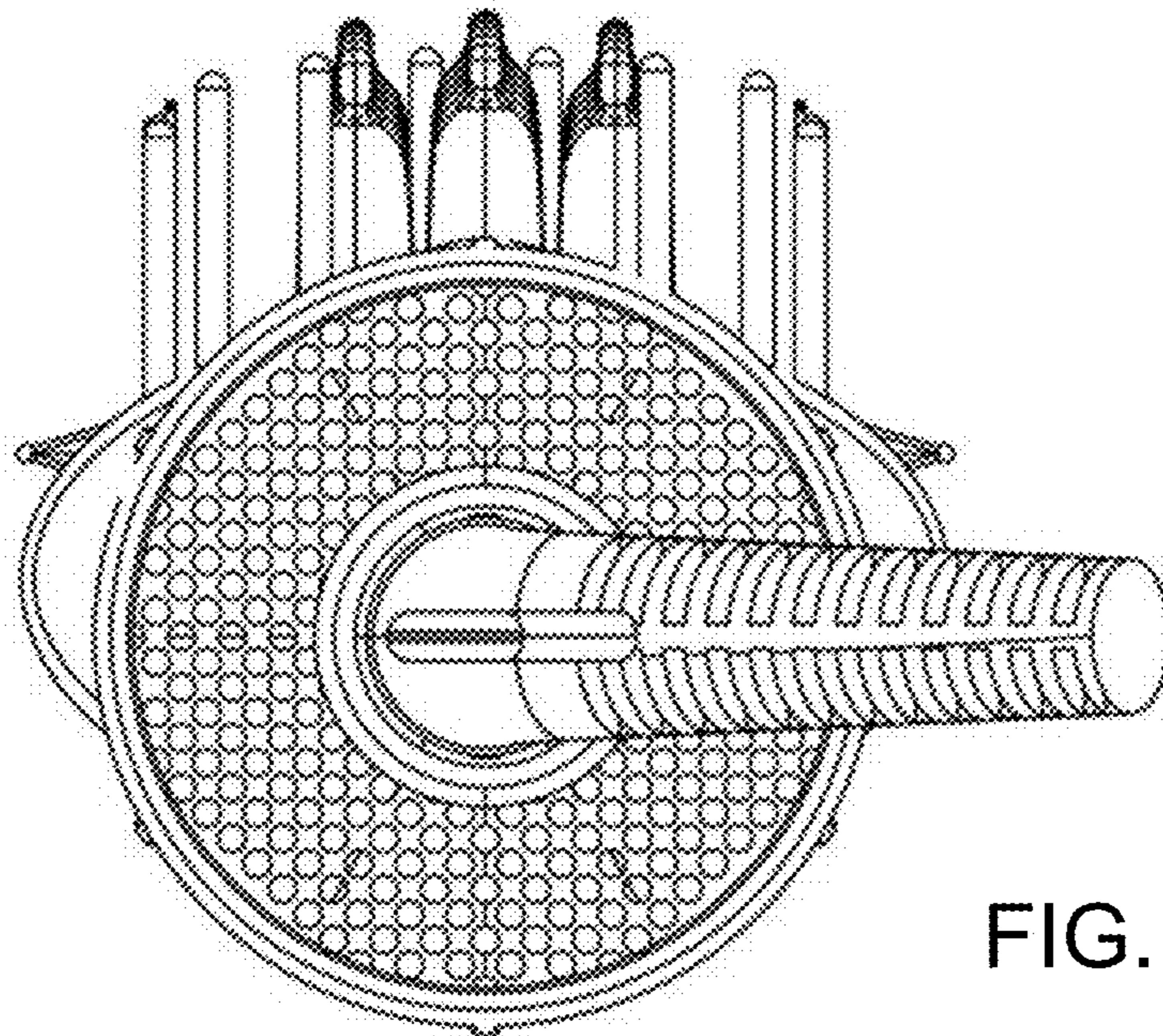


FIG. 2



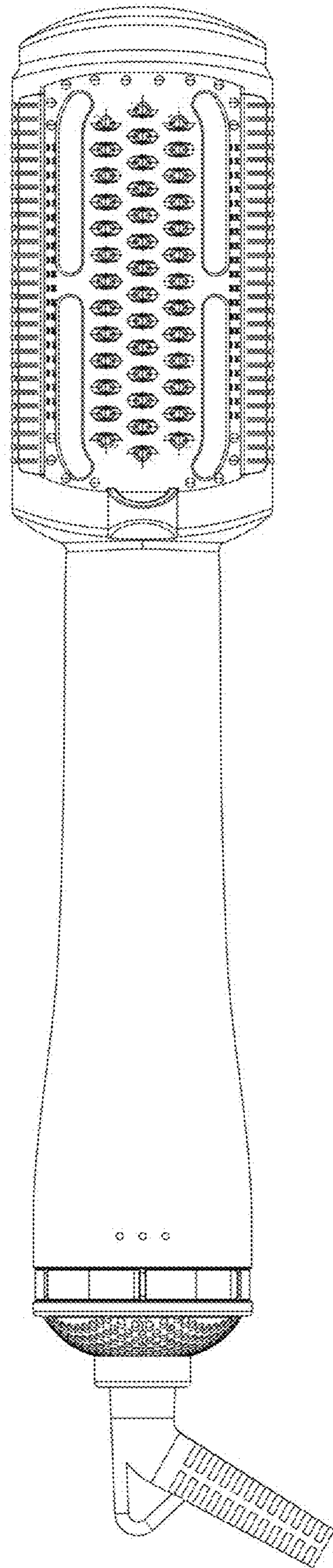


FIG. 3

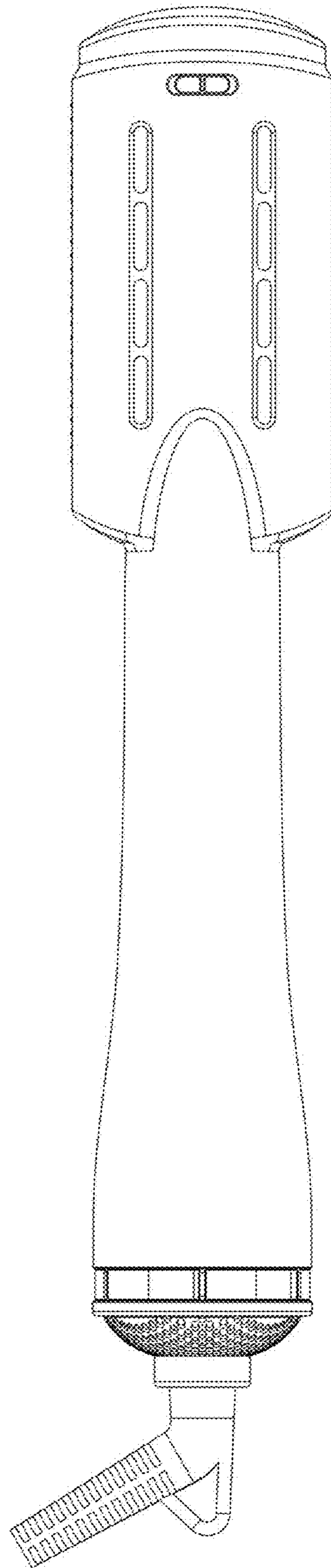


FIG. 4

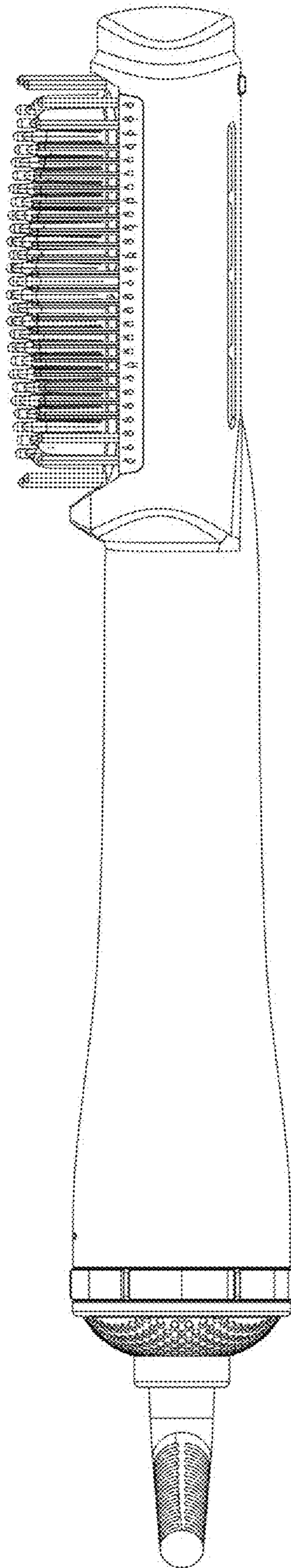


FIG. 5

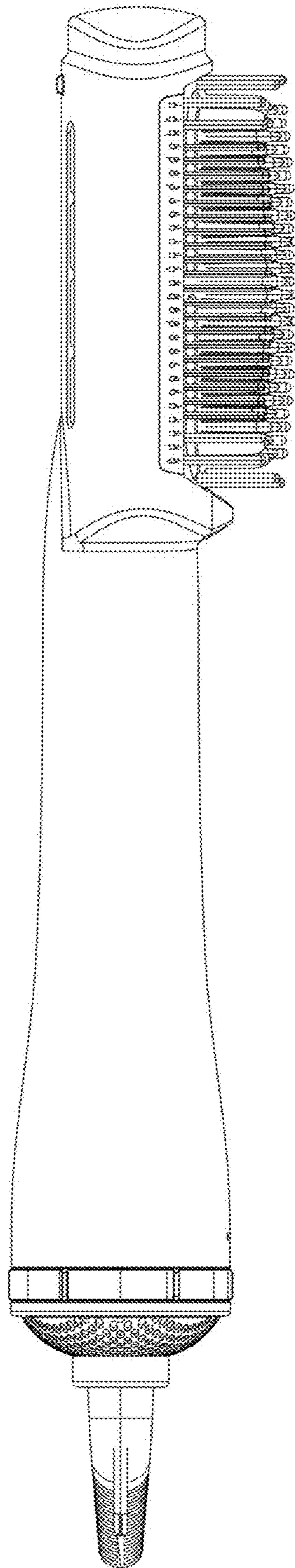


FIG. 6



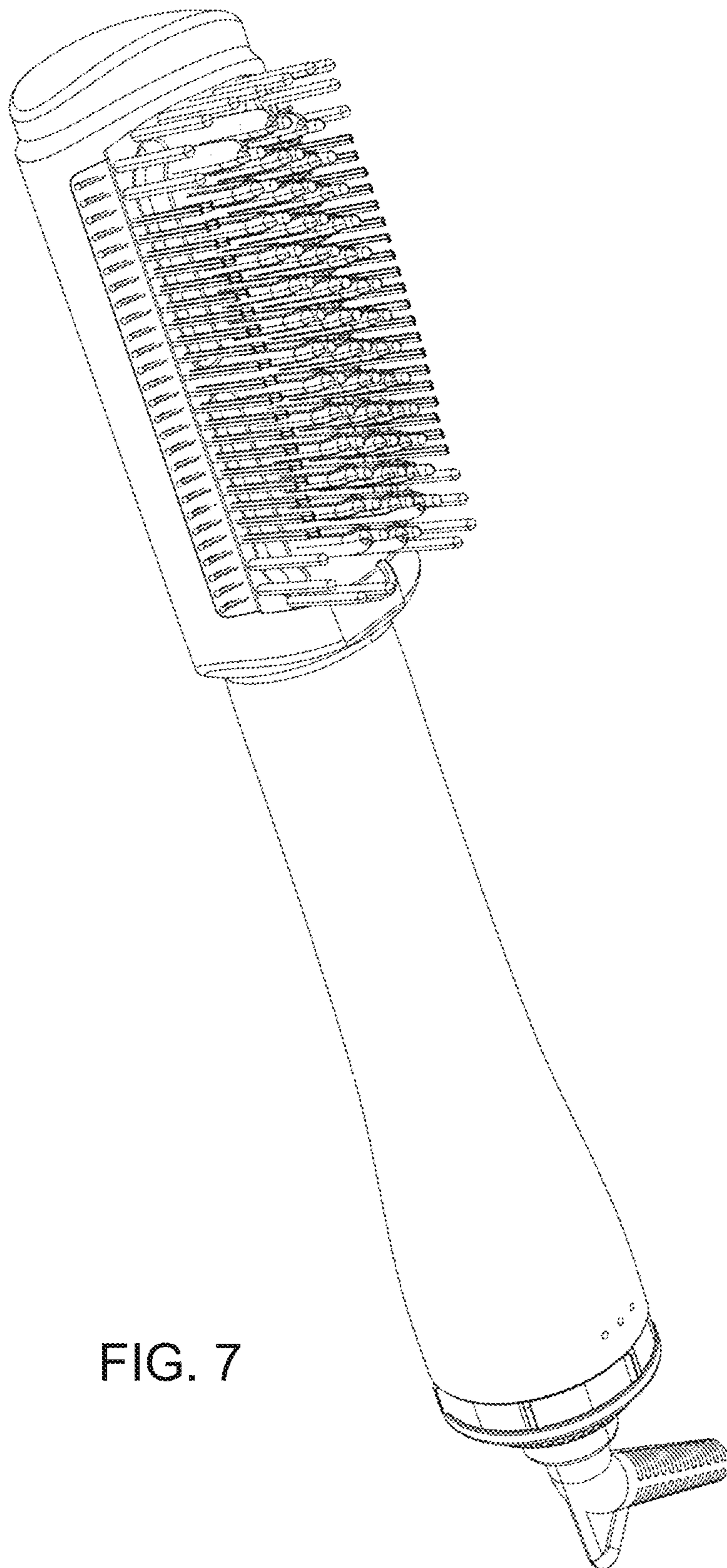


FIG. 7