



US00D912404S

(12) **United States Design Patent**
Delassus

(10) **Patent No.:** **US D912,404 S**
(45) **Date of Patent:** **** Mar. 9, 2021**

(54) **HAIR BRUSH**
(71) Applicant: **KONINKLIJKE PHILIPS N.V.**,
Eindhoven (NL)
(72) Inventor: **Elodie Delassus**, Eindhoven (NL)
(73) Assignee: **KONINKLIJKE PHILIPS N.V.**,
Eindhoven (NL)
(**) Term: **15 Years**
(21) Appl. No.: **29/679,509**

D815,837 S * 4/2018 Zhou D4/100
D826,567 S * 8/2018 Yan D4/100
D836,344 S * 12/2018 Keong A46B 9/023
D4/100
D838,989 S * 1/2019 Yan D4/100
D855,996 S * 8/2019 Park A46B 9/023
D4/100
D889,129 S * 7/2020 Janowick D4/100
D889,130 S * 7/2020 Yuan D4/100
D890,527 S * 7/2020 Hu D4/100
D892,504 S * 8/2020 Yang D4/100
D893,195 S * 8/2020 Li D4/100
D895,972 S * 9/2020 Janowick D4/100

(Continued)

(22) Filed: **Feb. 7, 2019**
(30) **Foreign Application Priority Data**
Aug. 9, 2018 (EM) 005587508-0001
(51) **LOC (13) Cl.** **04-02**
(52) **U.S. Cl.**
USPC **D4/100**
(58) **Field of Classification Search**
USPC D4/100, 101, 102, 105, 106, 109,
D4/110-112, 117, 127-138; D24/133;
D28/7, 13, 19-34, 44, 45, 49-54, 63, 74;
D32/49; D30/158, 159
CPC A45D 24/00; A45D 24/10; A45D 24/30;
A45D 24/32; A45D 20/48; A45D 2/001;
A01K 13/00; A01K 13/002; A46B 9/06;
A46B 9/02; A46B 9/023; A46B 7/00;
A46B 13/00; A46B 13/08; A46B 13/02;
A46D 1/00; A46D 1/0253; A46D 1/0284;
A47K 7/00; A47K 7/02; A47K 7/002;
A47K 7/026; A47K 7/04; A47K 7/043;
A46N 2200/10; A46N 2200/1046; A46N
2200/30; A46N 2200/1026
See application file for complete search history.

(56) **References Cited**
U.S. PATENT DOCUMENTS
D804,188 S * 12/2017 Du D4/100
D808,658 S * 1/2018 Sophie D4/100

OTHER PUBLICATIONS

ConAir, announced 2017 [online], [site visited Apr. 7, 2020].
Available from internet, URL: https://www.amazon.com/INFINTOPRO-Diamond-Infused-Ceramic-Smoothing-Straightening/dp/B01HZMDKHK/ref=sr_1_11?keywords=hot+brush&qid=1585680111&sr=8-11 (Year: 2017).*

(Continued)

Primary Examiner — George A Bugg
Assistant Examiner — Tamara L Hahn

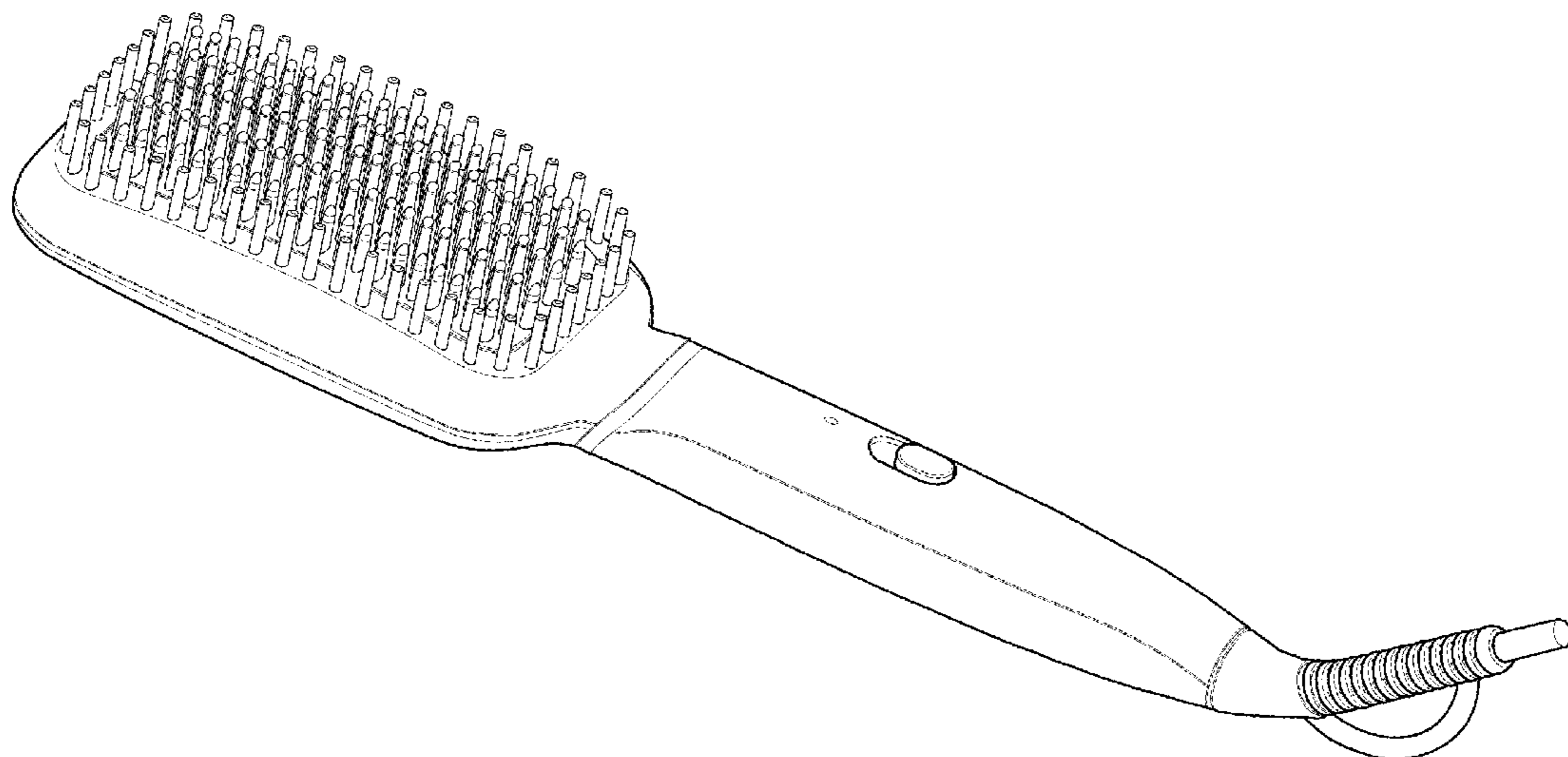
(57) **CLAIM**

The ornamental design for a hair brush, as shown.

DESCRIPTION

FIG. 1 is a perspective view of a hair brush showing my new design;
FIG. 2 is a front elevational view thereof;
FIG. 3 is a rear elevational view thereof;
FIG. 4 is a right side elevational view thereof;
FIG. 5 is a left side elevational view thereof;
FIG. 6 is a top plan view thereof; and,
FIG. 7 is a bottom plan view thereof.

1 Claim, 6 Drawing Sheets



(56)

References Cited

U.S. PATENT DOCUMENTS

D898,363 S * 10/2020 Gan D4/100
D899,092 S * 10/2020 Hillebrecht D4/100
2018/0055188 A1* 3/2018 Potts A45D 2/002
2018/0153294 A1* 6/2018 Thomas A45D 19/16
2019/0045918 A1* 2/2019 Przirembel A46B 11/0065

OTHER PUBLICATIONS

Ionic, announced 201 [online], [site visited Apr. 7, 2020]. Available from internet, URL: https://www.amazon.com/Straightener-GLAMFIELDS-Electrical-Straightening-Temperature/dp/B071HFQGJX/ref=sr_1_25?keywords=heat+hair+brush&qid=1585680312&sr=8-25 (Year: 2018).*

* cited by examiner

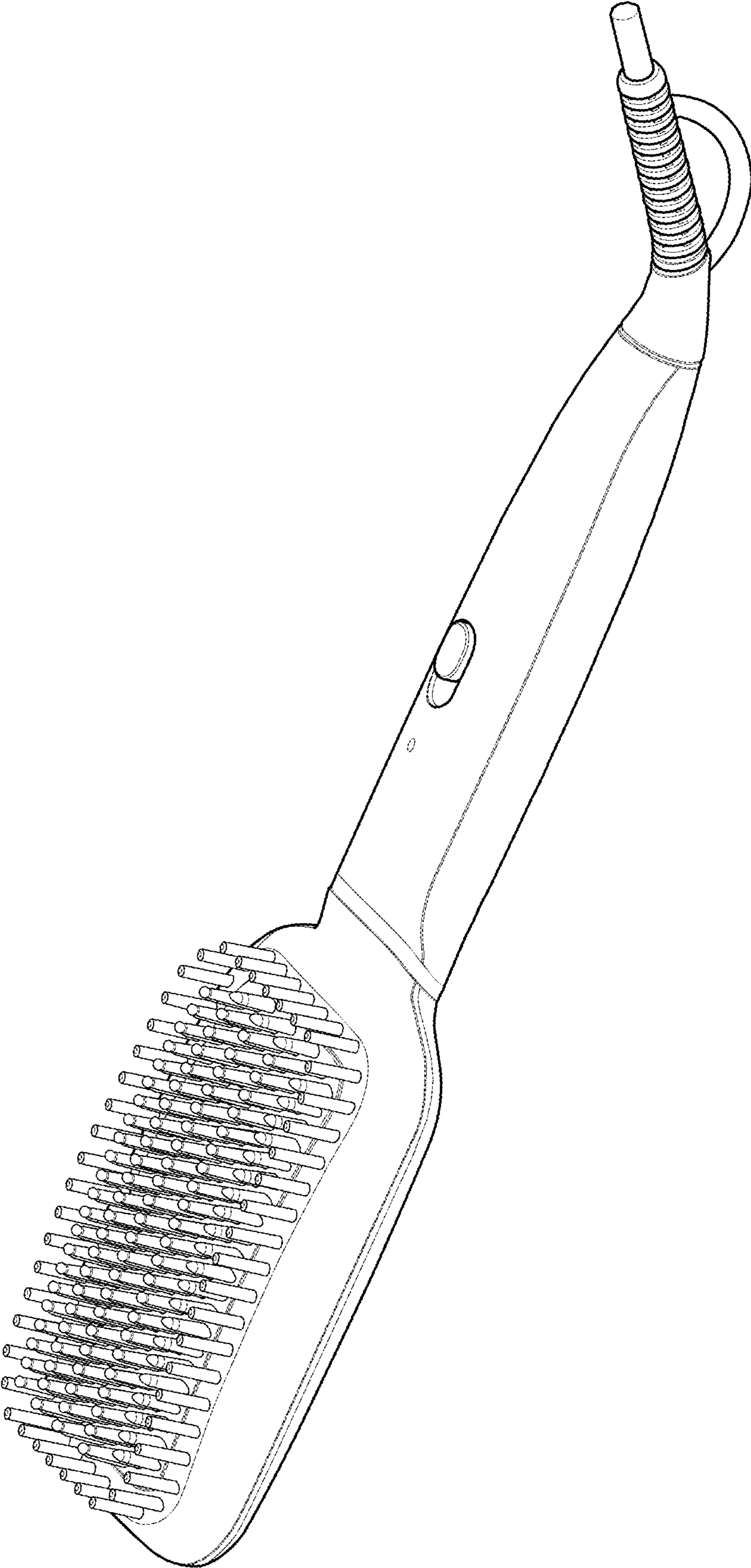


FIG. 1

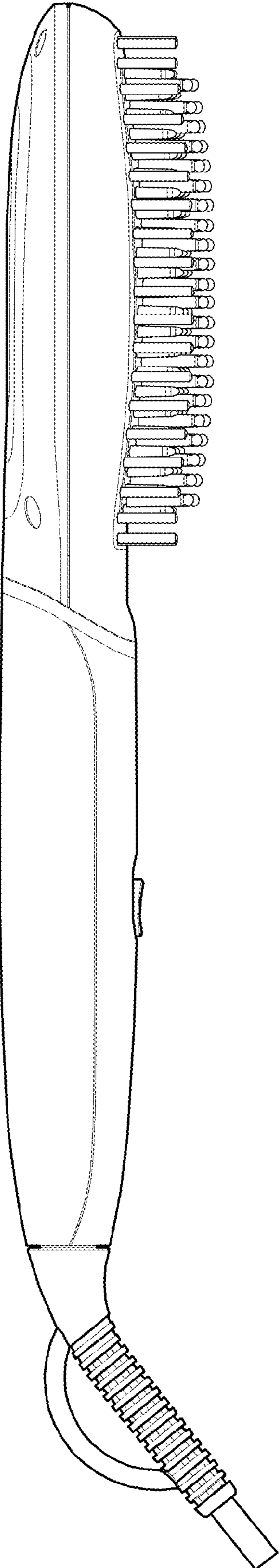


FIG. 2

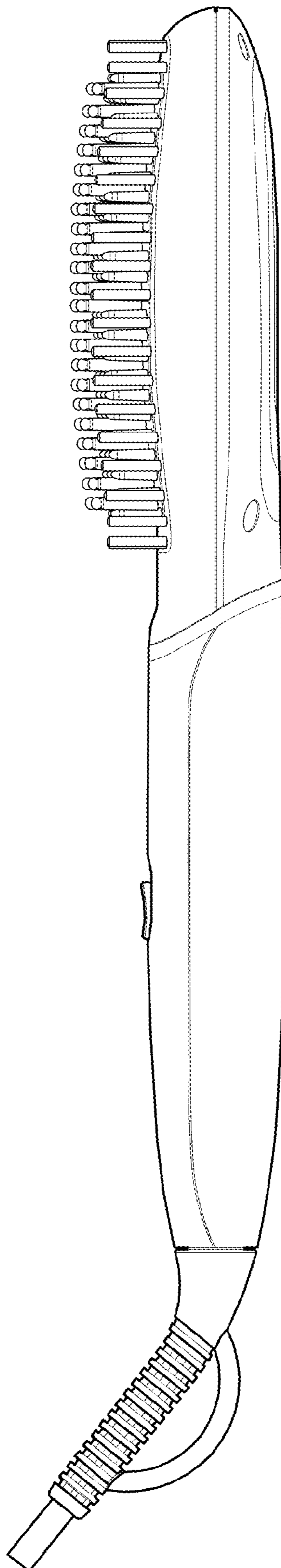


FIG. 3

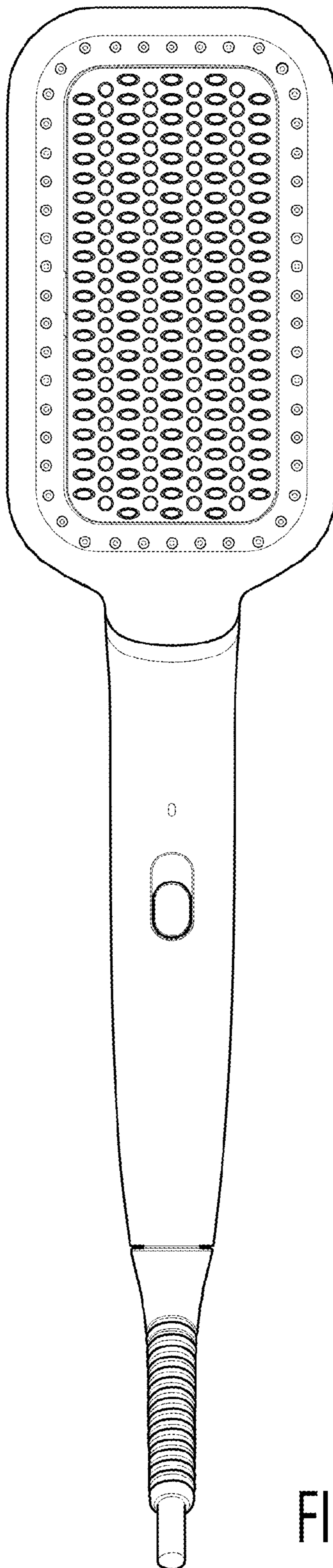


FIG. 4

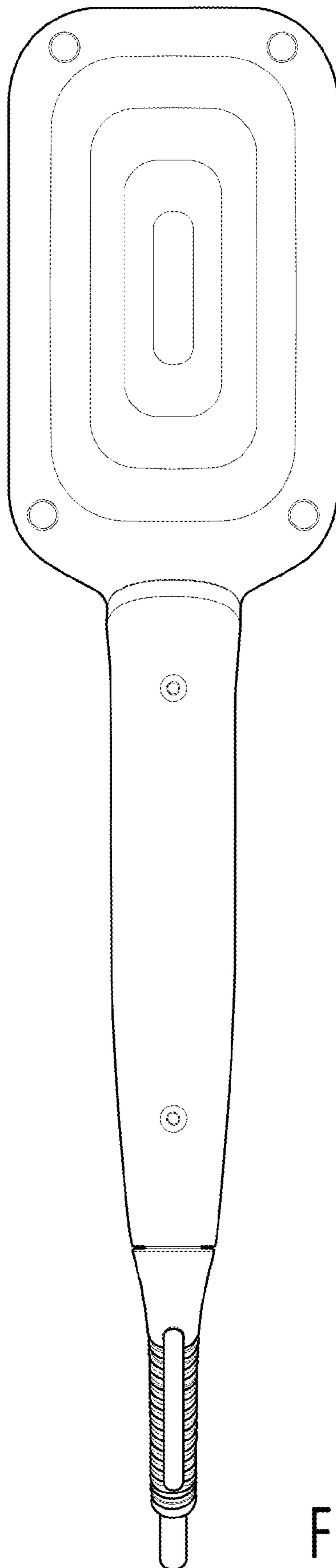


FIG. 5

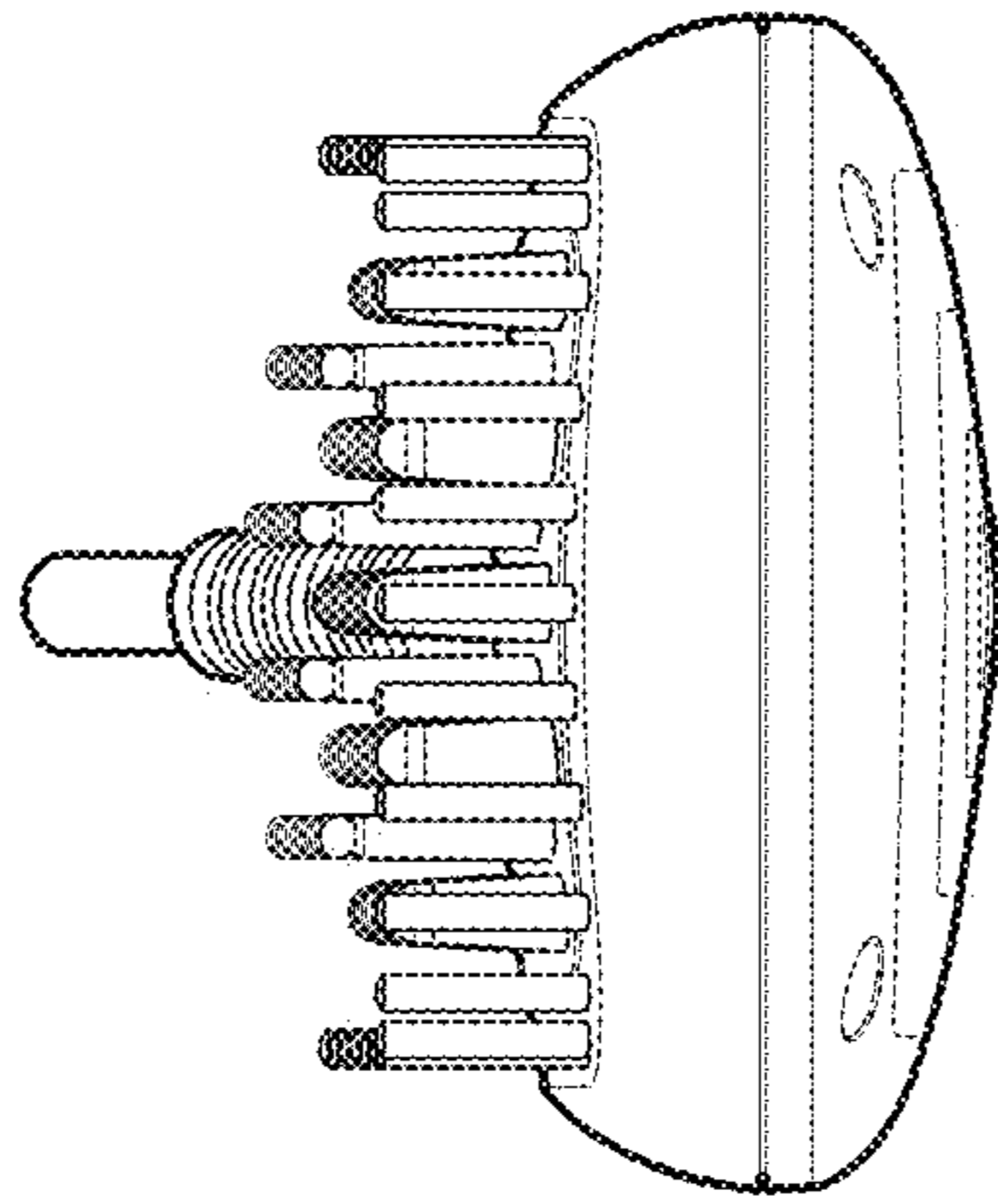


FIG. 6

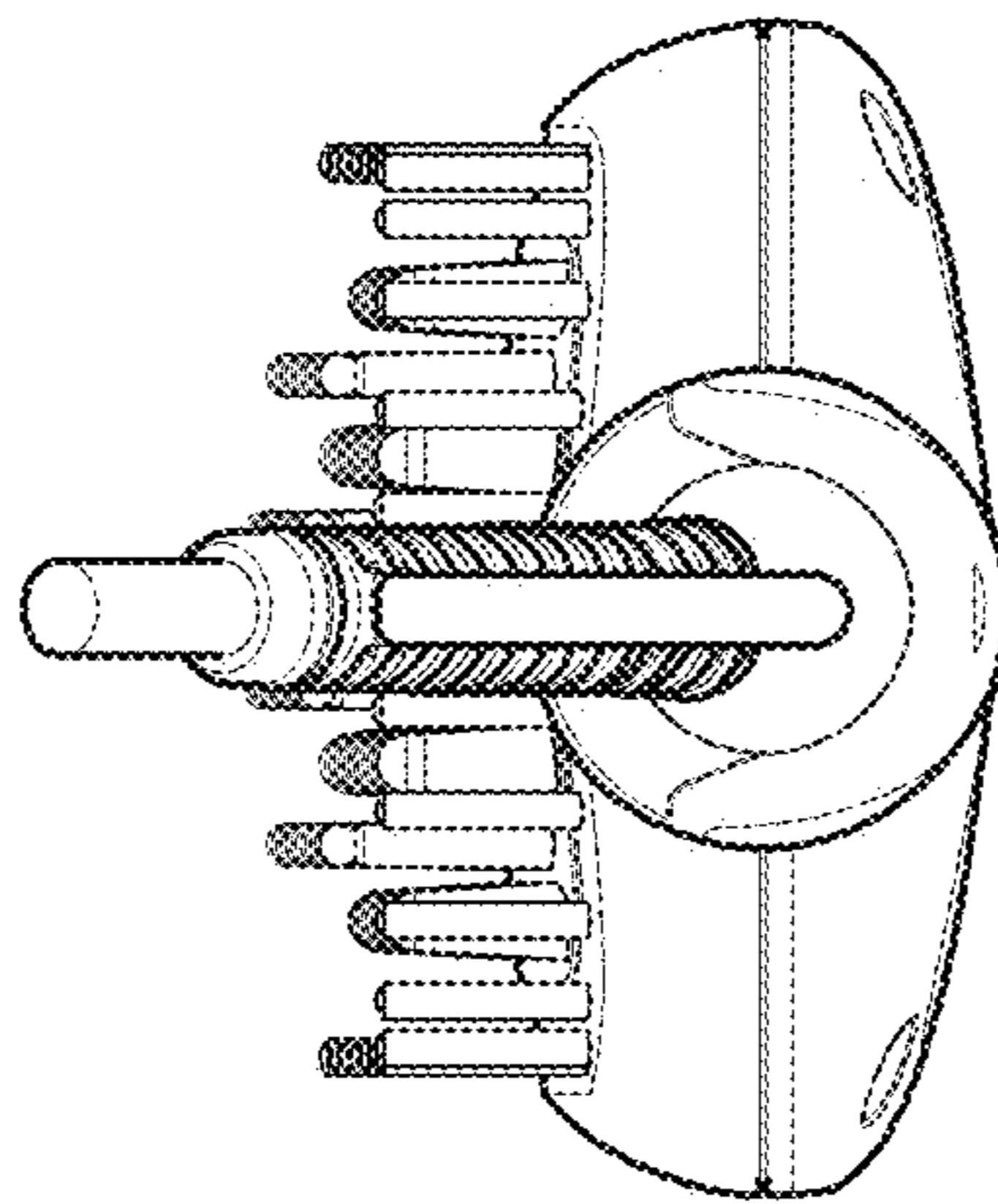


FIG. 7