



US00D912401S

(12) **United States Design Patent** (10) **Patent No.:** **US D912,401 S**
Dowd et al. (45) **Date of Patent:** **** Mar. 9, 2021**

(54) **HINGED CONTAINER WITH LOCKING TABS**

(71) Applicant: **Stephen Gould Corporation**, Whippany, NJ (US)

(72) Inventors: **Michael C. Dowd**, Northborough, MA (US); **Anthony Iacavone**, Riverside, RI (US)

(73) Assignee: **Stephen Gould Corporation**, Whippany, NJ (US)

(**) Term: **15 Years**

(21) Appl. No.: **29/695,891**

(22) Filed: **Jun. 24, 2019**

(51) **LOC (13) Cl.** **03-01**

(52) **U.S. Cl.**
USPC **D3/294**

(58) **Field of Classification Search**
USPC D3/201, 205, 203.1, 218, 242, 263, D3/273-276, 279-282, 284, 292, 294, D3/295, 296, 299, 301, 302, 318, 321, D3/905, 901, 903

CPC A45C 5/00; A45C 5/005; A45C 2005/032; A45C 2005/035; A45C 2005/307; A45C 11/00; A45C 13/002

See application file for complete search history.

(56) **References Cited**

U.S. PATENT DOCUMENTS

D388,147 S * 12/1997 Knight D11/157
D517,311 S * 3/2006 Kim D3/218
D740,019 S * 10/2015 Hynek D3/205
D759,378 S * 6/2016 West D3/294
D778,593 S * 2/2017 Agbeyo D3/201

(Continued)

OTHER PUBLICATIONS

Ultra Mint Tin™, posted at safelylock.com, no posting date, retrieved Sep. 6, 2020, online, URL: <https://safelylock.com/ultra-mint-tin/> (Year: 2020).*

(Continued)

Primary Examiner — Lilyana Bekic

Assistant Examiner — Mary Shannon Malley

(74) *Attorney, Agent, or Firm* — Faegre Drinker Biddle & Reath LLP

(57) **CLAIM**

The ornamental design for a hinged container with locking tabs, as shown and described.

DESCRIPTION

FIG. 1 is a perspective view of the hinged container with locking tabs according to the invention.

FIG. 2 is a top view of the portion of the hinged container with locking tabs of FIG. 1.

FIG. 3 is a bottom view of the portion of the hinged container with locking tabs of FIG. 1.

FIG. 4 is a left side view of the portion of the hinged container with locking tabs of FIG. 1.

FIG. 5 is a right side view of the portion of the hinged container with locking tabs of FIG. 1.

FIG. 6 is a front view of the portion of the hinged container with locking tabs of FIG. 1.

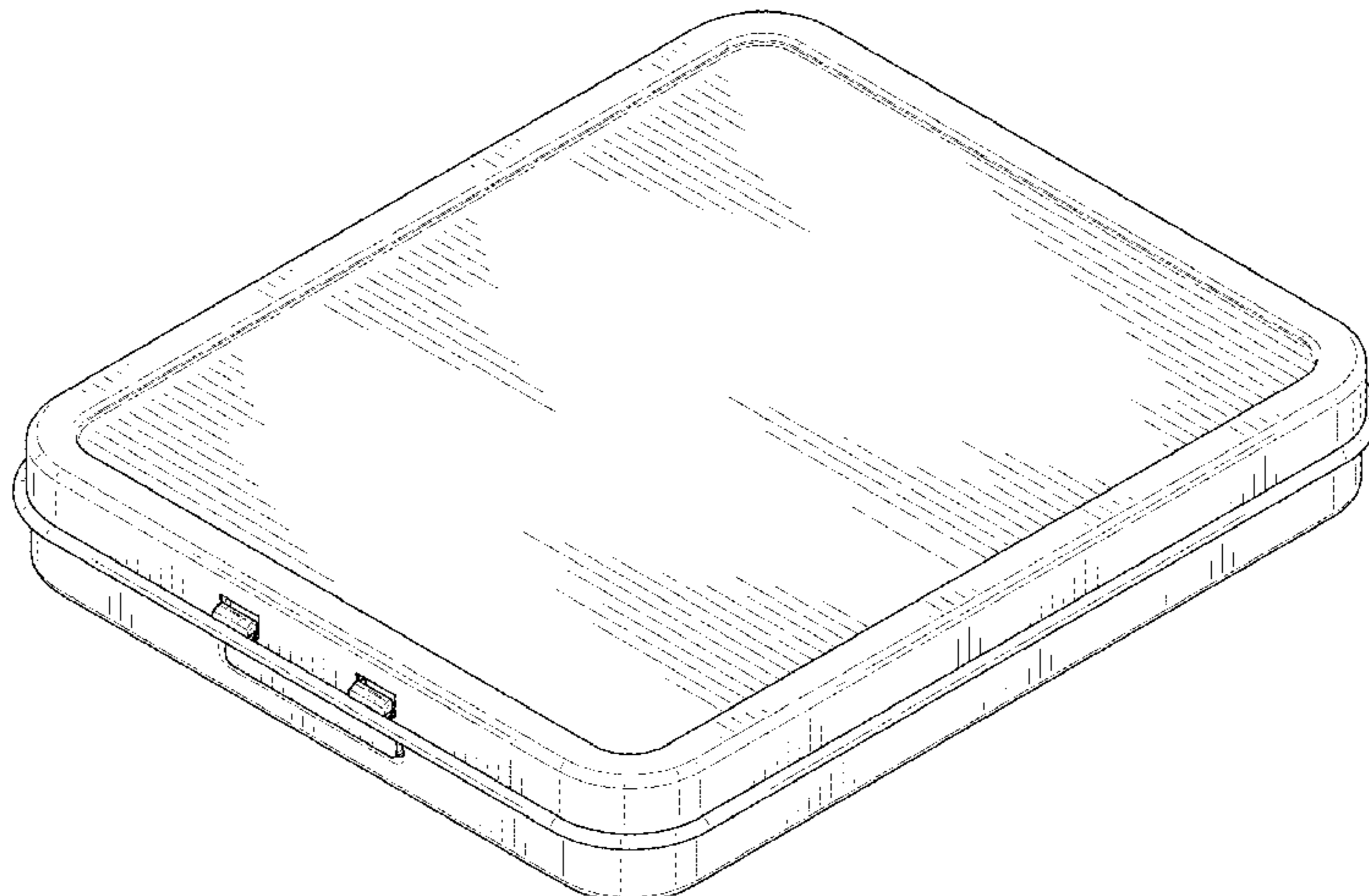
FIG. 7 is a rear side view of the portion of the hinged container with locking tabs of FIG. 1.

FIG. 8 is an enlarged upper perspective view of a portion of the hinged container with locking tabs of FIG. 1 illustrating locking tabs as seen from above; and,

FIG. 9 is an enlarged lower perspective view of a portion of the hinged container with locking tabs of FIG. 1 illustrating the locking tabs as seen from below.

The dash-dash broken lines depict portions of the hinged container with locking tabs that does not form part of the claimed design. The dash-dash-long dash lines in the enlarged views of FIGS. 8 and 9 represents the bounds of the enlargements and form no part of the claimed design.

1 Claim, 6 Drawing Sheets



(56)

References Cited

U.S. PATENT DOCUMENTS

D795,874 S * 8/2017 Szeremeta D14/432
D834,819 S * 12/2018 Burek D3/294
D876,092 S * 2/2020 Guo D3/295
D891,755 S * 8/2020 Prioleau D3/203.1
D894,180 S * 8/2020 Yang D14/348
2012/0043235 A1* 2/2012 Klement A45C 13/008
206/320

OTHER PUBLICATIONS

Ultra Pre Roll Tin™, posted at safelylock.com, no posting date, retrieved Sep. 11, 2020, online, URL: <https://safelylock.com/ultra-pre-roll-tin/> (Year: 2020).*

* cited by examiner

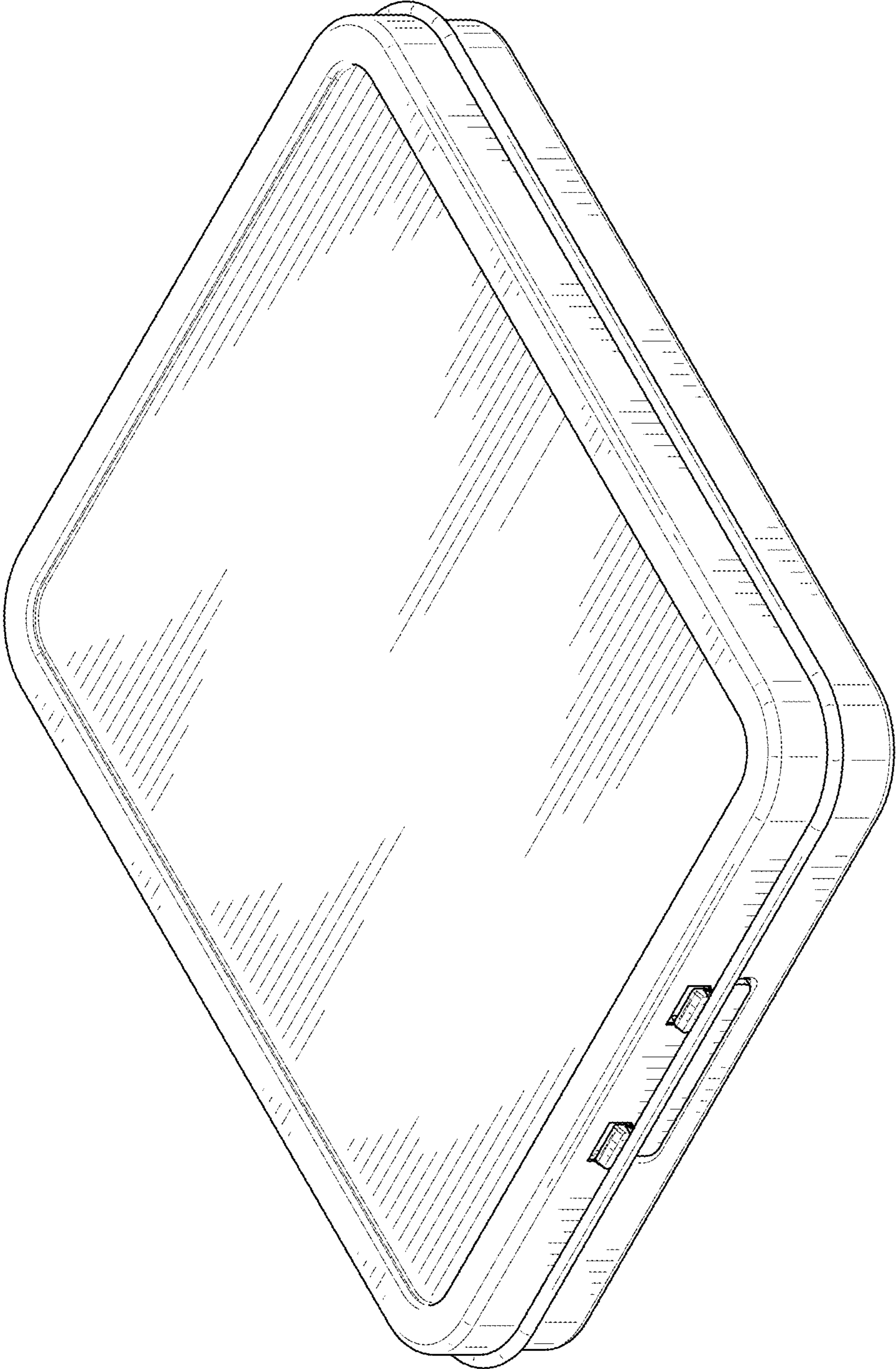


FIG. 1

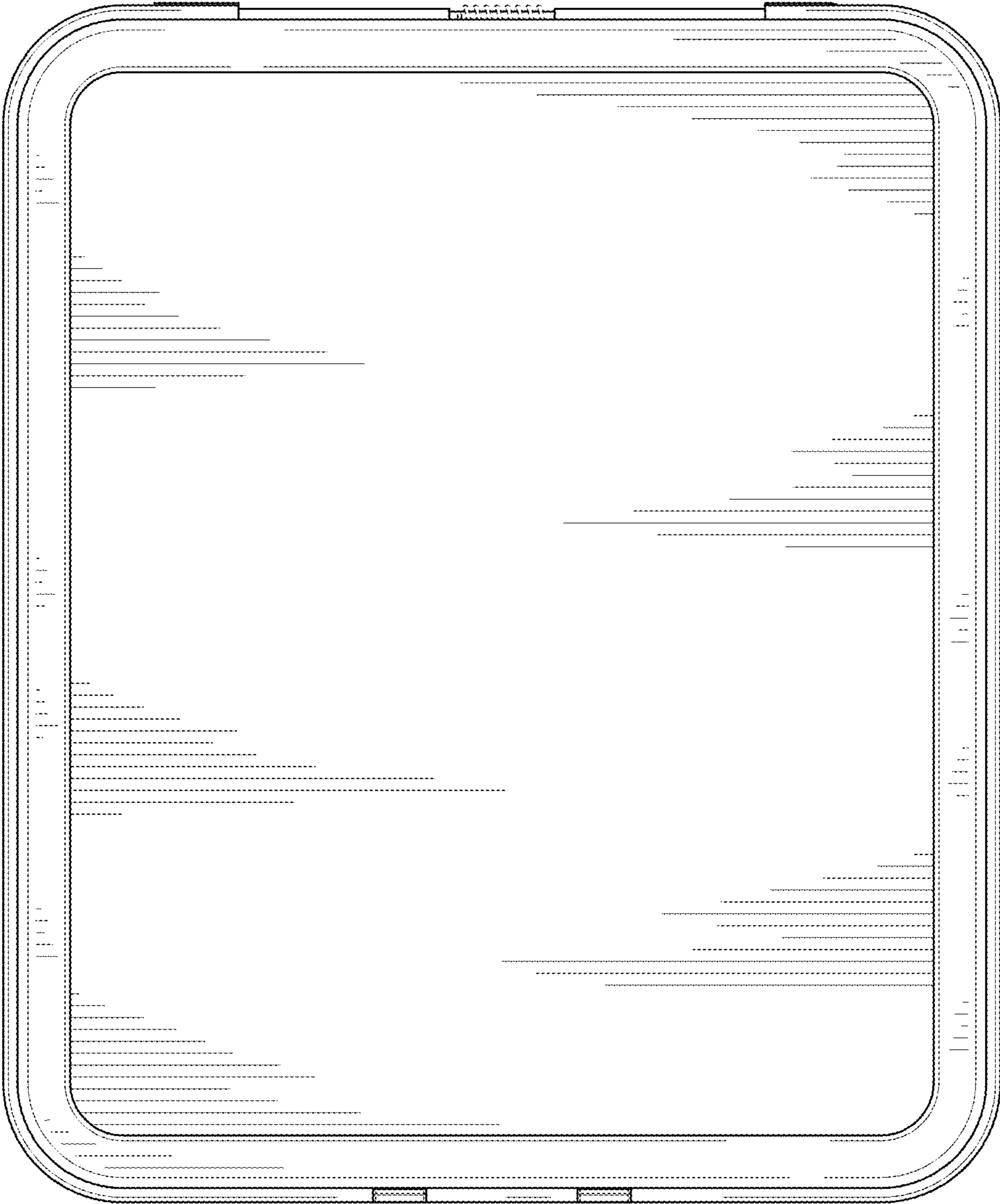


FIG. 2

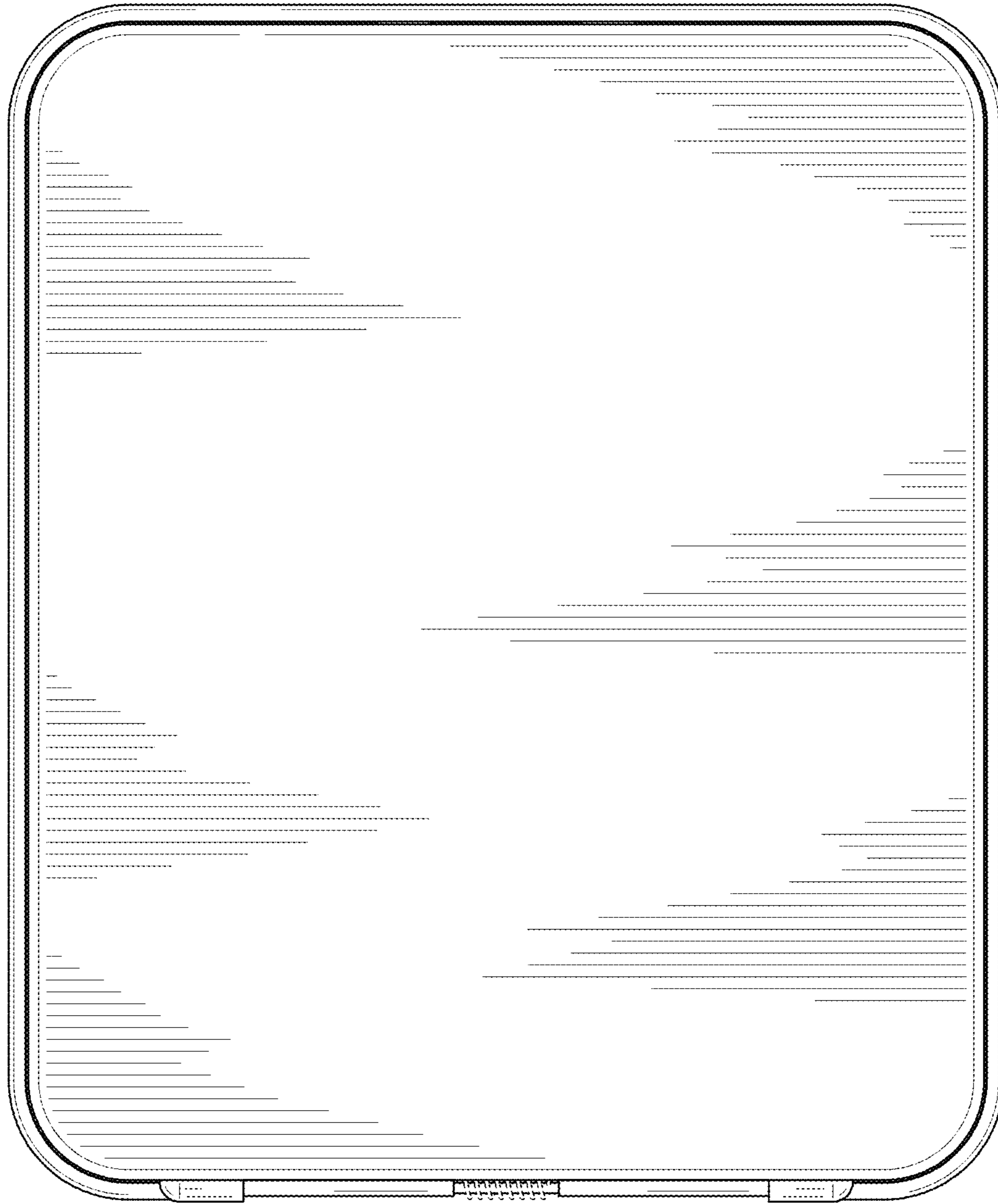


FIG. 3

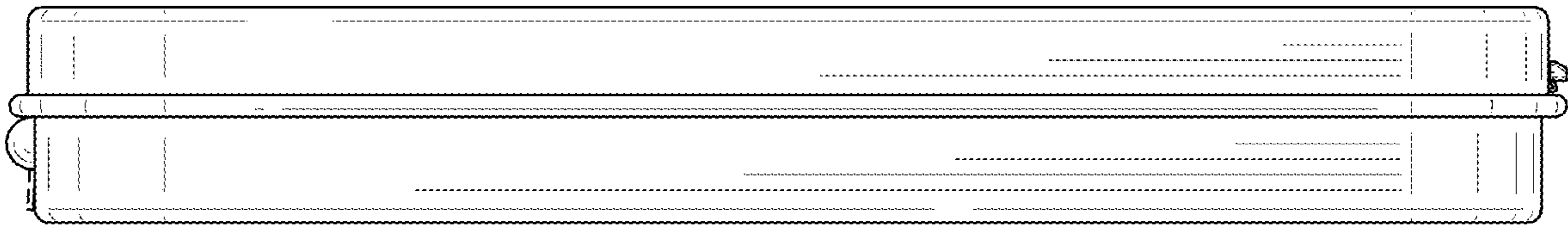


FIG. 4

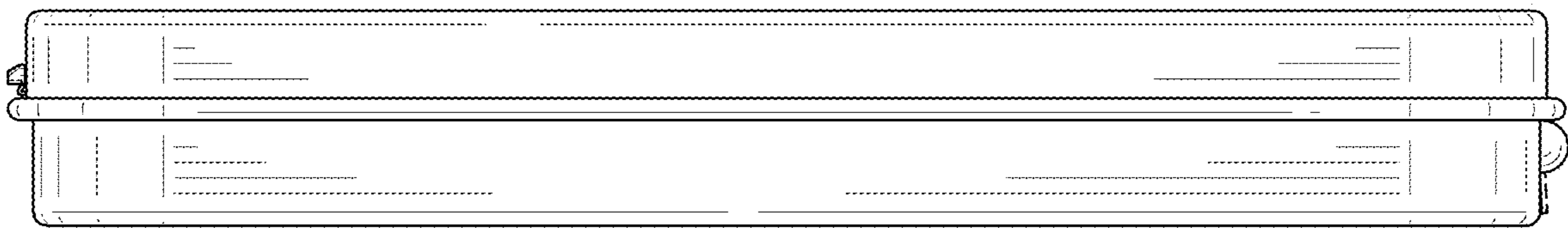


FIG. 5

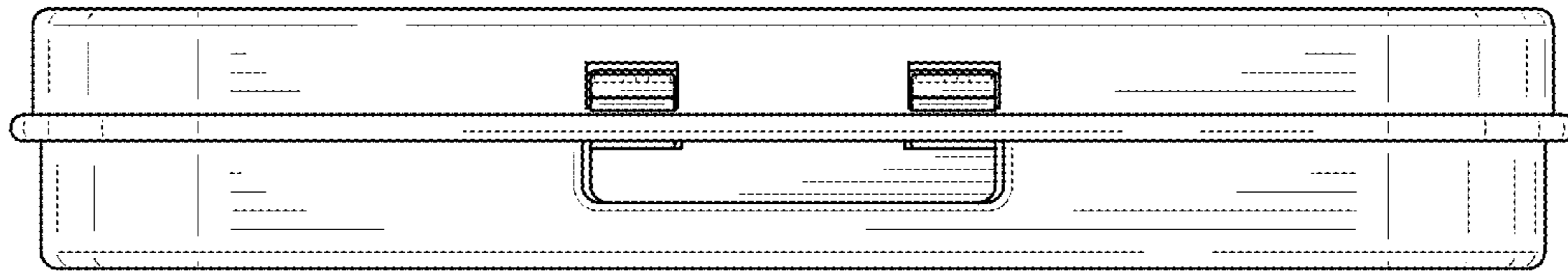


FIG. 6

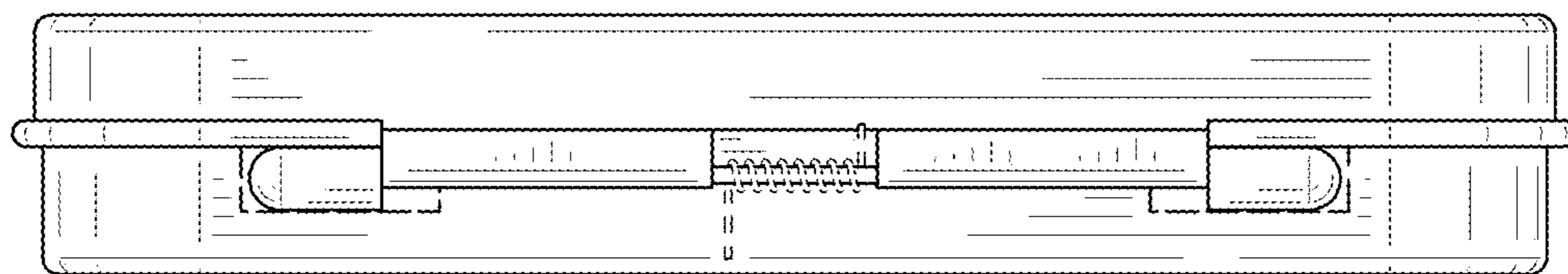


FIG. 7

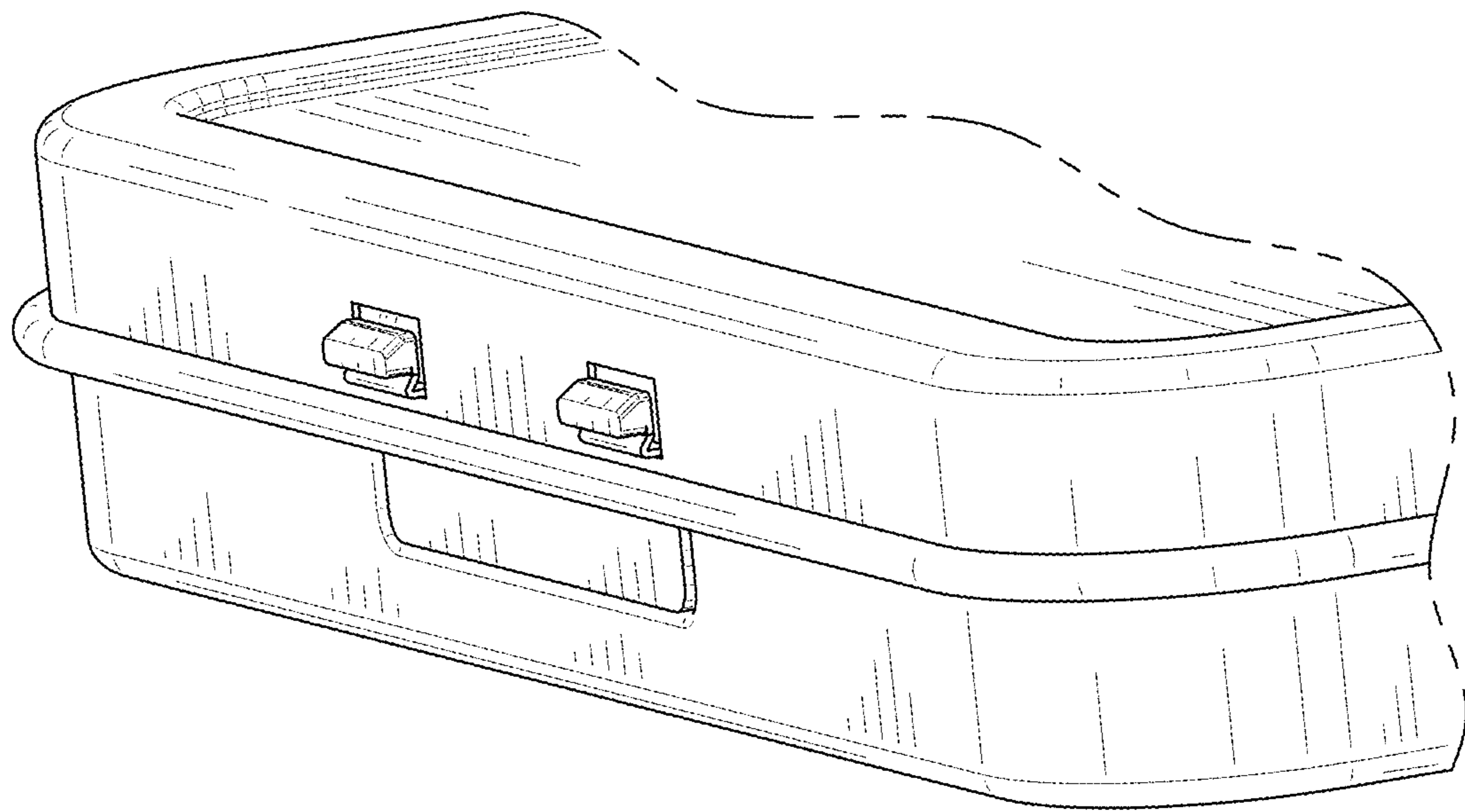


FIG. 8

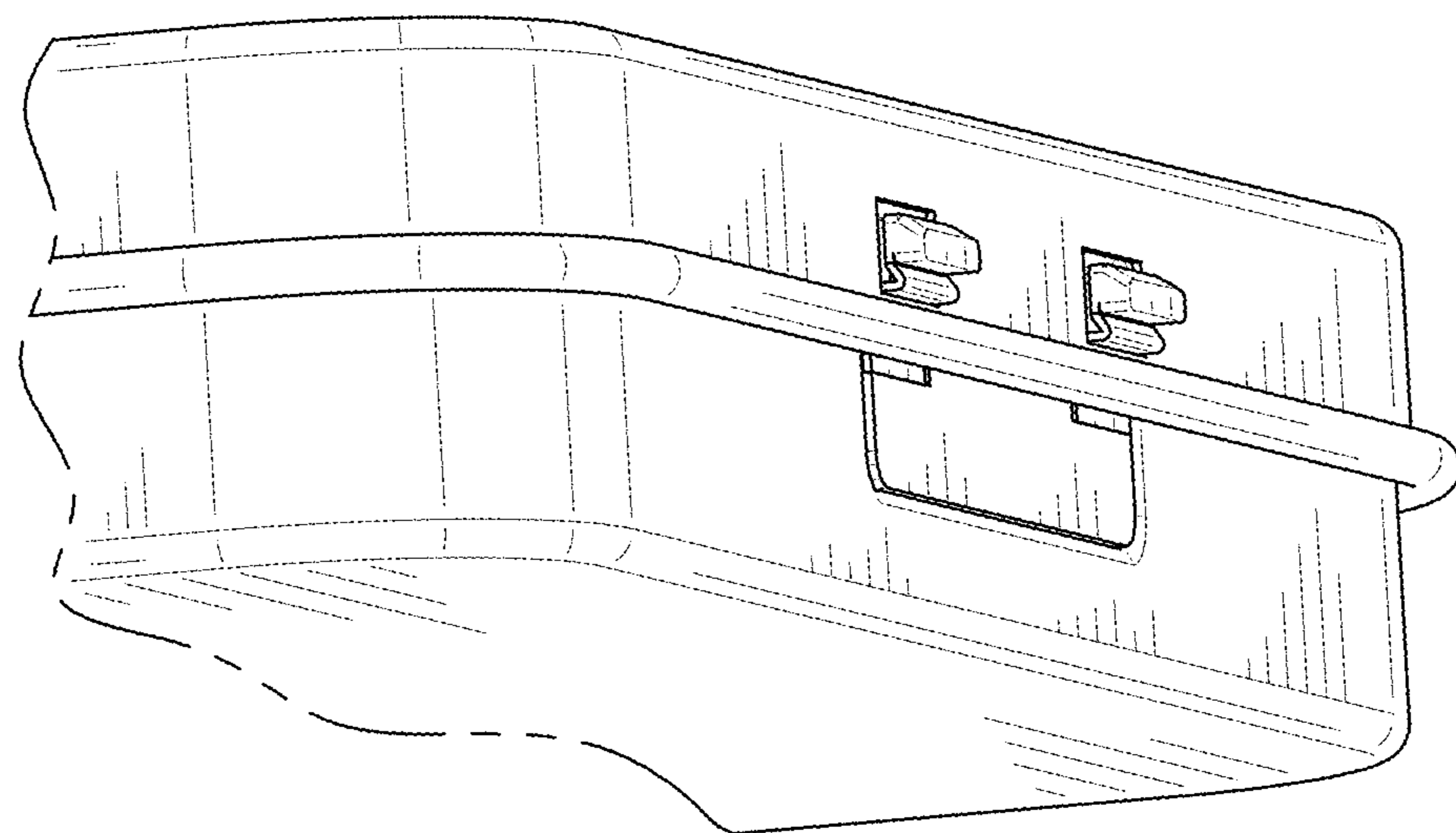


FIG. 9