



US00D912400S

(12) **United States Design Patent** (10) **Patent No.:** **US D912,400 S**  
**Guerdrum et al.** (45) **Date of Patent:** **\*\* Mar. 9, 2021**

- (54) **CONTAINER** 4,560,128 A 12/1985 Willeby et al.  
 4,606,461 A 8/1986 Bolton  
 (71) Applicant: **OTTER PRODUCTS, LLC**, Fort Collins, CO (US) RE32,740 E 8/1988 Steffes  
 4,841,661 A 6/1989 Moore  
 4,964,528 A 10/1990 Wagoner  
 4,988,216 A 1/1991 Lyman  
 5,052,185 A 10/1991 Spahr  
 (72) Inventors: **Jonathan H. Guerdrum**, Fort Collins, CO (US); **Shanshan Li**, Fort Collins, CO (US); **Joshua R. Cornish**, Fort Collins, CO (US); **Jason Sagen**, Fort Collins, CO (US) (Continued)

FOREIGN PATENT DOCUMENTS

- (73) Assignee: **Otter Products, LLC**, Fort Collins, CO (US) EP 3061704 A1 8/2016  
 WO 2004029526 A1 4/2004  
 (Continued)

(\*\*) Term: **15 Years**

OTHER PUBLICATIONS

(21) Appl. No.: **29/679,721**

Liviri, "Liviri Fresh", Accessed Jul. 7, 2020. (<https://liviri.com/liviri-fresh-cold-shipping-box/>) (Year: 2020).\*  
 (Continued)

(22) Filed: **Feb. 8, 2019**

(51) **LOC (13) Cl.** ..... **03-01**

(52) **U.S. Cl.**  
 USPC ..... **D3/294**

(58) **Field of Classification Search**  
 USPC ..... D3/272, 273, 276, 279, 282, 284, 291, D3/294, 302, 900, 905, 903  
 CPC ..... B25H 3/02; B65D 90/24; B65D 81/3813  
 See application file for complete search history.

*Primary Examiner* — April Rivas

(57) **CLAIM**

The ornamental design for a container, as shown and described.

**DESCRIPTION**

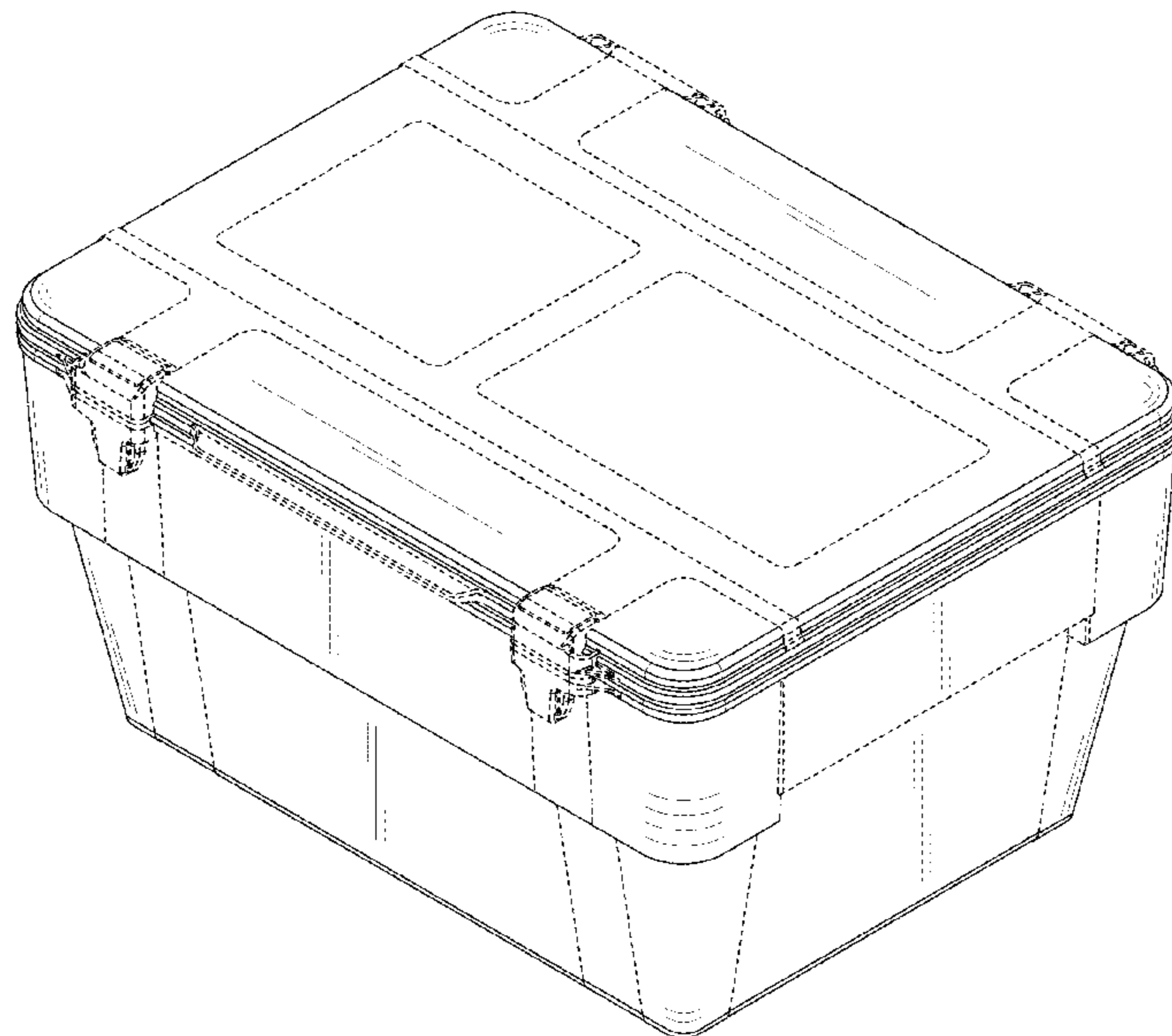
(56) **References Cited**

U.S. PATENT DOCUMENTS

- 1,468,563 A 9/1923 Girard  
 2,627,993 A 2/1953 Hafner  
 3,347,060 A 10/1967 Barkan  
 3,395,550 A 8/1968 Dungan  
 3,850,398 A 11/1974 Kantor  
 3,868,829 A 3/1975 Mann et al.  
 3,939,986 A 2/1976 Pierro  
 4,024,731 A 5/1977 Branscum  
 4,213,310 A 7/1980 Buss  
 D275,822 S 10/1984 Gatland et al.  
 4,515,421 A 5/1985 Steffes

FIG. 1 is a front elevated perspective view of a container showing our new design;  
 FIG. 2 is a rear perspective view thereof;  
 FIG. 3 is a front view thereof;  
 FIG. 4 is a rear view thereof;  
 FIG. 5 is a left view thereof;  
 FIG. 6 is a right view thereof;  
 FIG. 7 is a top view thereof; and,  
 FIG. 8 is a bottom view thereof.  
 The dash-dash broken lines and unshaded surfaces bounded by broken lines form no part of the claimed design.

**1 Claim, 8 Drawing Sheets**



(56)

References Cited

U.S. PATENT DOCUMENTS

D325,323 S	4/1992	Kahl	D649,587 S	11/2011	Nemeth et al.
5,103,884 A	4/1992	Roman	8,065,889 B1	11/2011	Silberman
D327,427 S	6/1992	McCooey	D659,014 S	5/2012	Blythe
D328,389 S	8/1992	Pardo	8,209,995 B2	7/2012	Kieling et al.
D330,488 S	10/1992	Daniels	8,246,190 B2	8/2012	Boiteau et al.
5,181,612 A	1/1993	Liu	8,317,046 B2	11/2012	Vanderberg et al.
5,215,248 A	6/1993	Moser	8,365,944 B2	2/2013	Vanderberg et al.
5,285,656 A	2/1994	Peters	8,403,162 B2	3/2013	Vanderberg et al.
D353,082 S	12/1994	Keven	8,424,699 B2	4/2013	Vanderberg et al.
D354,419 S	1/1995	Kahl et al.	8,430,265 B2	4/2013	Vanderberg et al.
5,403,095 A	4/1995	Melk	8,448,813 B2	5/2013	Vanderberg et al.
5,509,279 A	4/1996	Brown et al.	D697,770 S	1/2014	Khuu
5,562,228 A	10/1996	Ericson	D699,119 S	2/2014	Fukuda et al.
5,605,056 A	2/1997	Brown et al.	D712,720 S	9/2014	Seiders
5,622,276 A	4/1997	Simmons	D712,721 S	9/2014	Seiders
5,669,233 A	9/1997	Cook et al.	D712,722 S	9/2014	Seiders
D387,249 S	12/1997	Mogil	D712,723 S	9/2014	Seiders
D391,121 S	2/1998	Melk	D714,125 S	9/2014	Seiders
5,816,432 A	10/1998	Hammen et al.	8,863,546 B2	10/2014	Oberweis
5,845,515 A	12/1998	Nelson	8,875,964 B1	11/2014	Vanderberg
5,850,915 A	12/1998	Tajima	8,910,819 B2	12/2014	Seiders
5,857,778 A	1/1999	Ells	8,919,082 B1	12/2014	Cataldo
5,913,448 A	6/1999	Mann et al.	8,925,752 B2	1/2015	Smith
D419,297 S	1/2000	Richardson et al.	D722,474 S	2/2015	Seiders
D419,767 S	2/2000	Richardson et al.	D722,475 S	2/2015	Seiders
D419,768 S	2/2000	Richardson et al.	D726,816 S	4/2015	Ehrlich et al.
6,039,202 A	3/2000	Olstad et al.	D730,649 S	6/2015	Thomas
D425,761 S	5/2000	Philipson et al.	D732,348 S	6/2015	Seiders et al.
6,065,873 A	5/2000	Fowler	D732,349 S	6/2015	Seiders et al.
D435,196 S	12/2000	Gregor et al.	D732,350 S	6/2015	Seiders et al.
6,185,860 B1	2/2001	Thibodeaux	D732,899 S	6/2015	Seiders et al.
6,193,097 B1	2/2001	Perianes	9,139,352 B2	9/2015	Seiders et al.
D441,261 S	5/2001	Stein	9,187,232 B2	11/2015	Seiders
6,234,677 B1	5/2001	Mogil	D748,978 S	2/2016	Glass et al.
6,244,458 B1	6/2001	Frysinger et al.	D752,347 S	3/2016	Seiders et al.
D444,683 S	7/2001	Corrion	9,316,428 B2	4/2016	Mech
6,276,579 B1	8/2001	DeLoach	D757,534 S	5/2016	Matsuura
D451,765 S	12/2001	Israel et al.	9,389,010 B1	7/2016	Booker
6,325,281 B1	12/2001	Grogan	9,408,445 B2	8/2016	Mogil et al.
6,328,179 B1	12/2001	Conrado et al.	9,433,200 B2	9/2016	Norman
D455,934 S	4/2002	Culp et al.	9,446,847 B2	9/2016	Richardson et al.
6,409,066 B1	6/2002	Schneider et al.	9,500,400 B2	11/2016	Smith
D465,134 S	11/2002	Joss	D778,614 S	2/2017	Ananian et al.
6,474,095 B1	11/2002	Chan	9,834,342 B2	4/2017	Seiders
D469,012 S	1/2003	Lee	D785,334 S	5/2017	Holt et al.
6,505,479 B2	1/2003	Defelice et al.	D786,559 S	5/2017	Seiders et al.
D472,384 S	4/2003	Richardson	D786,560 S	5/2017	Seiders et al.
6,595,687 B2	7/2003	Godshaw et al.	D786,561 S	5/2017	Seiders et al.
6,736,309 B1	5/2004	Westerman et al.	D786,562 S	5/2017	Seiders et al.
6,751,963 B2	6/2004	Navedo et al.	D787,187 S	5/2017	Seiders et al.
D502,599 S	3/2005	Cabana et al.	D797,454 S	9/2017	Seiders et al.
6,895,778 B1	5/2005	Ackerman	D797,455 S	9/2017	Seiders et al.
D513,122 S *	12/2005	Greene ..... D3/273	D798,670 S	10/2017	Seiders et al.
D513,123 S	12/2005	Richardson et al.	D799,276 S	10/2017	Seiders et al.
D514,808 S	2/2006	Morine et al.	D799,277 S	10/2017	Seiders et al.
6,993,931 B1	2/2006	Hamilton	D799,905 S	10/2017	Seiders et al.
D516,807 S	3/2006	Richardson et al.	D801,123 S	10/2017	Seiders et al.
D527,226 S	8/2006	Maldonado	9,796,517 B2	10/2017	Seiders et al.
D527,953 S	9/2006	Gal	D802,373 S	11/2017	Seiders et al.
7,140,507 B2	11/2006	Maldonado et al.	D803,041 S	11/2017	Patterson
D553,999 S	10/2007	Mason	D804,905 S	12/2017	Seiders et al.
7,296,433 B2	11/2007	Uihlein et al.	D805,851 S	12/2017	Seiders et al.
D558,599 S	1/2008	Tilman et al.	D820,646 S	6/2018	Yockey
D569,902 S	5/2008	Chang et al.	D821,165 S	6/2018	Guerdrum et al.
7,389,608 B1	6/2008	MacKay	D821,825 S	7/2018	Sullivan et al.
7,682,080 B2	3/2010	Mogil	D823,064 S	7/2018	Eichinger et al.
D623,075 S	9/2010	Blythe	D823,065 S	7/2018	Eichinger et al.
D623,947 S	9/2010	Levy	D823,066 S	7/2018	Eichinger et al.
7,791,003 B2	9/2010	Lockhart et al.	10,029,842 B2	7/2018	Seiders et al.
7,900,816 B2	3/2011	Kastanek et al.	D824,730 S	8/2018	Guerdrum et al.
D635,832 S	4/2011	Bergin	D828,029 S *	9/2018	Seiders ..... D3/294
D637,044 S	5/2011	Davis	10,092,137 B1	10/2018	Nelson et al.
D643,629 S *	8/2011	Sofy ..... D3/302	D835,470 S	12/2018	Seiders et al.
8,011,194 B2	9/2011	Dimmitt	D835,471 S	12/2018	Seiders et al.
8,043,004 B2	10/2011	Mogil	D835,472 S	12/2018	Seiders et al.
			D835,946 S	12/2018	Seiders et al.
			D838,983 S	1/2019	Seiders et al.
			D838,984 S	1/2019	Seiders et al.
			D840,150 S	2/2019	Seiders et al.

(56)

References Cited

OTHER PUBLICATIONS

U.S. PATENT DOCUMENTS

10,221,005	B2	3/2019	James
D845,717	S	4/2019	Cavenagh et al.
D850,865	S	6/2019	Smith et al.
D856,673	S *	8/2019	Stirnimann ..... D3/273
2003/0038138	A1	2/2003	Komurke
2003/0106895	A1	6/2003	Kalal
2003/0136702	A1	7/2003	Redzisz et al.
2003/0141424	A1	7/2003	Thomas
2004/0178208	A1	9/2004	Leba et al.
2004/0238543	A1	12/2004	Askew
2004/0262319	A1	12/2004	Fisher
2005/0006268	A1	1/2005	Futernick
2005/0133557	A1	6/2005	McKenzie et al.
2005/0263527	A1	12/2005	Maldonado et al.
2005/0263528	A1	12/2005	Maldonado et al.
2005/0279123	A1	12/2005	Maldonado et al.
2005/0279124	A1	12/2005	Maldonado
2005/0281487	A1	12/2005	Pawloski et al.
2006/0180624	A1	8/2006	Sadow et al.
2007/0137958	A1	6/2007	Hamlin
2007/0278234	A1	12/2007	Mogil
2008/0094853	A1	4/2008	Kim et al.
2008/0260303	A1	10/2008	Lesseux et al.
2009/0159471	A1	6/2009	Koppe
2010/0065466	A1	3/2010	Perkins
2010/0072215	A1	3/2010	Coon
2010/0287976	A1	11/2010	Roof et al.
2011/0056233	A1	3/2011	Flaker et al.
2011/0182532	A1	7/2011	Baltus
2011/0203297	A1	8/2011	Oberweis
2011/0220531	A1	9/2011	Meether et al.
2011/0289958	A1	12/2011	White et al.
2013/0228583	A1	9/2013	Mayer
2013/0264161	A1	10/2013	Thompson
2014/0013789	A1	1/2014	Conrad et al.
2014/0054195	A1	2/2014	Hallman
2014/0131225	A1	5/2014	Couch et al.
2014/0248003	A1	9/2014	Mogil et al.
2015/0158539	A1	6/2015	Jensen et al.
2015/0210444	A1	7/2015	Mercado et al.
2015/0241107	A1	8/2015	Mech
2015/0298886	A1	10/2015	Knight et al.
2015/0369529	A1	12/2015	Monroe
2016/0101924	A1	4/2016	Mitchell et al.
2016/0257471	A1	9/2016	Rud
2016/0257479	A1	9/2016	Seiders et al.
2016/0279840	A1	9/2016	French et al.
2016/0347507	A1	12/2016	Kendrick
2017/0001785	A1	1/2017	Ripley et al.
2017/0023289	A1	1/2017	Anderson
2017/0073146	A1	3/2017	Kuhn et al.
2017/0073147	A1	3/2017	Kuhn
2017/0121059	A1	5/2017	Faris
2017/0233139	A1	8/2017	Averill
2017/0305639	A1	10/2017	Kuhn et al.
2017/0350635	A1	12/2017	Thirumurugavel
2018/0015938	A1	1/2018	DeFrancia
2018/0149400	A1	5/2018	Valencia
2018/0184775	A1	7/2018	Altschul et al.
2018/0186547	A1	7/2018	Morine et al.
2018/0186550	A1	7/2018	Morine et al.
2018/0263346	A1	9/2018	Stephens
2018/0290814	A1	10/2018	Smith
2018/0335241	A1	11/2018	Li et al.
2018/0346229	A1	12/2018	Guerdrum et al.
2018/0353379	A1	12/2018	Chou et al.
2019/0023480	A1	1/2019	Lin

FOREIGN PATENT DOCUMENTS

WO	2006007266	A2	1/2006
WO	2006009537	A1	1/2006
WO	2014105962	A1	7/2014
WO	2016154105	A1	9/2016

Ocean Roto Moulding, "Thermal Insulated Plastic Fish Box", Accessed Jul. 7, 2020, Claims registered Oct. 22, 2007. ([https://oceanroto.en.ec21.com/Thermal-Insulated-Plastic-Fish-Box--2374960\\_2374961.html](https://oceanroto.en.ec21.com/Thermal-Insulated-Plastic-Fish-Box--2374960_2374961.html)) (Year: 2007).\*

Rew Online, "Carlisle XT160008 Food Carrier, Insulated Plastic", Accessed Jul. 7, 2020. (<https://www.rewonline.com/restaurant-equipment-new/Carlisle-XT160008-Food-Carrier-Insulated-Plastic/CAR-XT160008.html>) (Year: 2020).\*

Best Buy, "OtterBox Separator for Venture Coolers—Slate Gray," downloaded from <https://www.bestbuy.com/site/otterbox-separator-for-venture-coolers-slate-gray/5824901.p?skuId=5824901> Nov. 4, 2018, 5 pages.

Best Cooler Reviews, Best Folding and Collapsible Cooler—It's All About Convenience, downloaded from <https://bestcooler.reviews/best-folding-collapsible-cooler/> Jan. 15, 2018, 8 pages.

Clevermade, CleverMade CleverCrates 45 Liter Collapsible Storage Bin/Container; Grated Wall Utility Basket/Tote, Royal Blue, downloaded from [https://www.amazon.com/CleverMade-CleverCrates-Collapsible-Storage-Container/dp/B00UM4D63W/ref=sr\\_1\\_8?ie=UTF8&qid=1516048768&sr=8-8&keywords=collapsible%2Bmilk%2Bcrate&th=1](https://www.amazon.com/CleverMade-CleverCrates-Collapsible-Storage-Container/dp/B00UM4D63W/ref=sr_1_8?ie=UTF8&qid=1516048768&sr=8-8&keywords=collapsible%2Bmilk%2Bcrate&th=1) Jan. 15, 2018, 13 pages.

Coleman, 75 Can Collapsible Sport Cooler, downloaded from <https://www.coleman.com/large-sport-collapsible/2000015225.html> Jan. 15, 2018, 3 pages.

Digital Trends, "The new Venture coolers from Otterbox . . .", Posted May 9, 2017. (<https://www.digitaltrends.com/outdoors/otterbox-venture-coolers/>).

Duluth Trading Co, Folding Milk Crate, downloaded from <https://www.duluthtrading.com/store/product/folding-milk-crate-78536.aspx> on Jan. 15, 2018, 6 pages.

Fulton, Wil, All the Major Meal Delivery Services, Tested and Ranked, dated Oct. 7, 2016, downloaded from <https://www.thrillist.com/eat/nation/best-meal-delivery-services-food-subscription-boxes-ranked> on Jan. 15, 2018, 18 pages.

Ice Chest Guide, "Top 10 Best Soft Cooler Reviews and Buying Guide for 2018", downloaded from <http://www.icechestguide.com/top-10-best-soft-cooler-reviews-and-buying-guide.html> Jan. 25, 2018, 12 pages.

Igloo, Marine Ultra TM Collapse and Cool TM 50, downloaded from <https://www.igloocoolers.com/products/61582-marine-ultra-collapse-and-cool-50-can-cooler-bag-white> Jan. 15, 2018, 4 pages.

Kelty Folding Cooler, downloaded from <https://www.kelty.com/folding-cooler/> Jan. 18, 2018, 6 pages.

Morris, David Z., This box opens up new possibilities for fresh food delivery, dated Aug. 3, 2015, downloaded from <http://fortune.com/2015/08/03/freshrealm-cold-delivery/> Jan. 15, 2018, 4 pages.

NRS, "NRS Big Sky Cooler Divider at nrs.com," downloaded from <https://www.nrs.com/product/4450/nrs-big-sky-cooler-divider> Nov. 4, 2018, 4 pages.

Otterbox, "Cooler Divider OtterBox Venture Cooler Accessory," downloaded from [www.otterbox.com/en-us/venture/separator/otr56-cooler-acc-separator.html#start=1](http://www.otterbox.com/en-us/venture/separator/otr56-cooler-acc-separator.html#start=1) Nov. 4, 2018, 4 pages.

OtterBox, "Rugged Venture Coolers", Accessed Jan. 16, 2018. (<https://www.otterbox.com/en-us/venture-coolers.html>).

Pelican Consumer, Coolers—Hunting, Fishing, Camping, downloaded from <http://www.pelican.com/us/en/products/coolers> May 8, 2017, 2 pages.

Pelican Products, "70QT Cooler", Accessed Jan. 16, 2018. (<http://www.pelican.com/us/en/product/outdoor-heavy-dutycoolers/elite-cooler/cooler/70QT/>).

Picnic at Ascot, 396-RB 60 Can Collapsible Rolling Cooler, downloaded from <http://www.picnicatascot.com/main/default/ProductsDetail.aspx?id=136> Jan. 15, 2018, 2 pages.

Polar Bear Coolers, "24 Pack Eclipse Cooler," downloaded from <http://www.polarbearcoolers.com/product/PB327.html> Jan. 30, 2018, 6 pages.

Polar Bear Coolers, "Eclipse Backpack Cooler," downloaded from <http://www.polarbearcoolers.com/product/PB397.html> Jan. 29, 2018, 4 pages.

(56)

**References Cited**

## OTHER PUBLICATIONS

REI Co-Op, "Soft-sided Coolers", downloaded from <https://www.rei.com/c/soft-sided-coolers?r-c&origin+web&ir=category%3Asoft-sided-coolers?page=1> Jan. 25, 2018, 6 pages.

RTIC, "RTIC Soft Pack Coolers," downloaded from <https://www.rticcoolers.com/shop/coolers/softpak> Jan. 25, 2018, 16 pages.

RTIC, Cooler Accessories, downloaded May 8, 2017 from <http://www.rticcoolers.com/shop/coolers/accessories>, 14 pages.

Stay Cool Hot Stuff, Flip-Box XL Collapsible Cooler and Insulation Box, downloaded from <https://staycoolhotstuff.com/products/flip-box-xl-collapsible-cooler-and-insulation-box> Jan. 18, 2018, 5 pages.

The Cooler Box, "Cordova Coolers vs Yeti —Is This New Cooler Better Than Yeti?", Published Oct. 24, 2016. (<http://thecoolerbox.com/cordova-coolers-vs-yeti/>).

The Good Housekeeping Institute, Thermos Cold N' Fold Cooler, dated Jul. 2007, downloaded from <http://www.goodhousekeeping.com/travel-products/food-cooler-reviews/a28866/thermos-cold-n-fold-cooler-101/> Jan. 18, 2018, 5 pages.

Walmart, ECR4Kids Large Vented Collapsible Crate, 12pk, downloaded from <https://www.walmart.com/ip/ECR4Kids-Large-Vented-Collapsible-Crate-12pk/34702630> on Jan. 15, 2018, 7 pages.

YETI Coolers, "Hopper Soft Sided Portable Coolers," downloaded from <https://www.yeti.com/soft-coolers> Jan. 25, 2018, 6 pages.

YETI Coolers, Tundra Cooler Divider, downloaded from [www.yeti.com/tundra-dividers](http://www.yeti.com/tundra-dividers) May 8, 2017, 4 pages.

Yeti Coolers, Tundra Ice Chests, downloaded from <http://yeti.com/tundra> May 8, 2017, 7 pages.

YETI Coolers, YETI Accessories & Parts, downloaded from <http://yeti.com/accessories> May 8, 2017, 5 pages.

amazon.com, "Farberware 5190590 3-piece cutting board set," dated Jul. 23, 2011, downloaded from [https://www.amazon.com/Farberware-5190590-3-Piece-Plastic-Assorted/dp/80731KDNMP/ref=cm\\_cr\\_ar\\_p\\_d\\_product\\_top?ie=UTF8](https://www.amazon.com/Farberware-5190590-3-Piece-Plastic-Assorted/dp/80731KDNMP/ref=cm_cr_ar_p_d_product_top?ie=UTF8) Mar. 11, 2019, 8 pages.

YETI Coolers, "Tundra Cooler Divider," dated Mar. 11, 2014, downloaded from [https://www.yeti.com/en\\_US/accessories/tundra-dividers/DV.html?cg\\_id=accessories#](https://www.yeti.com/en_US/accessories/tundra-dividers/DV.html?cg_id=accessories#) Mar. 11, 2019, 9 pages.

\* cited by examiner

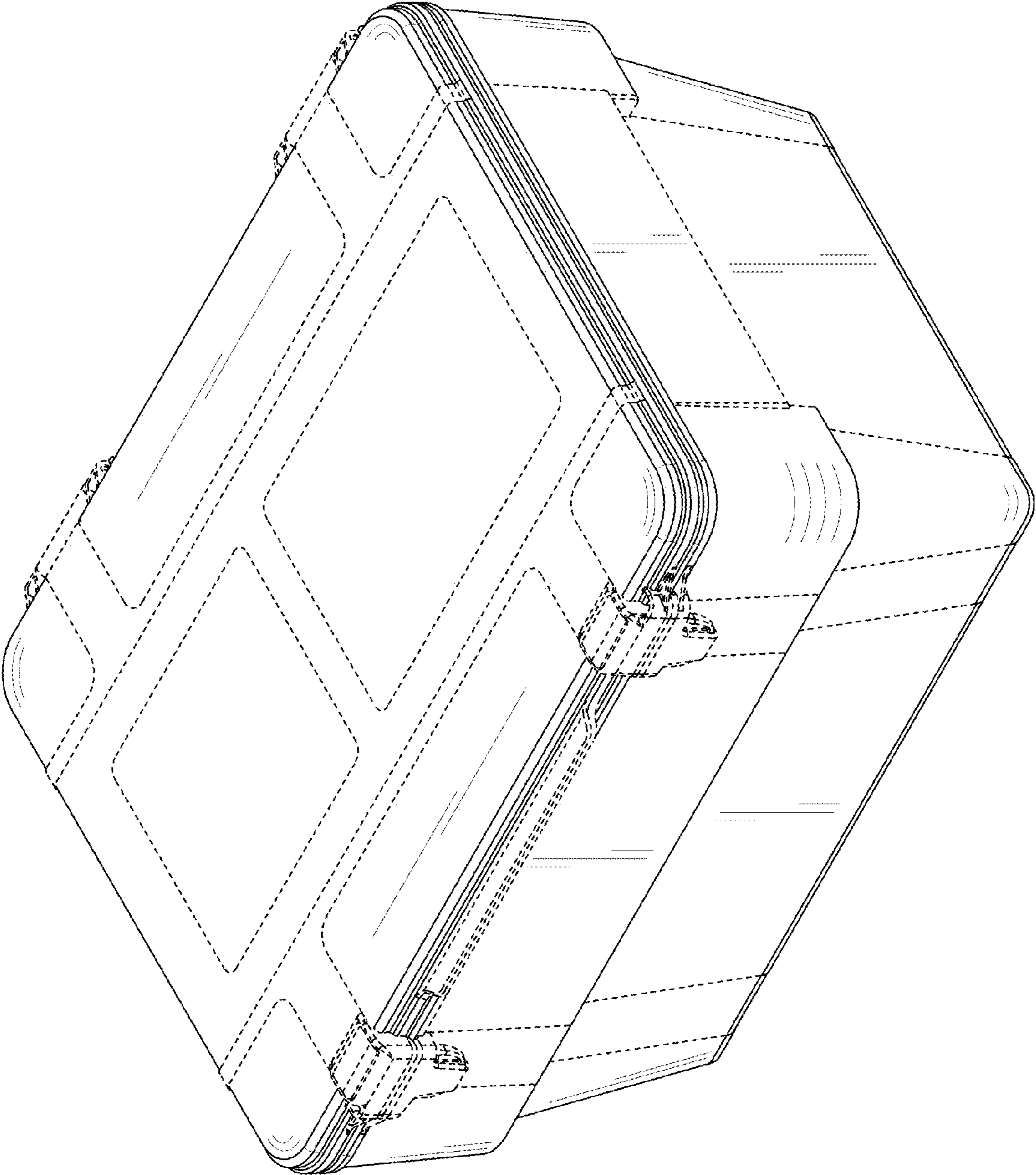


FIG. 1

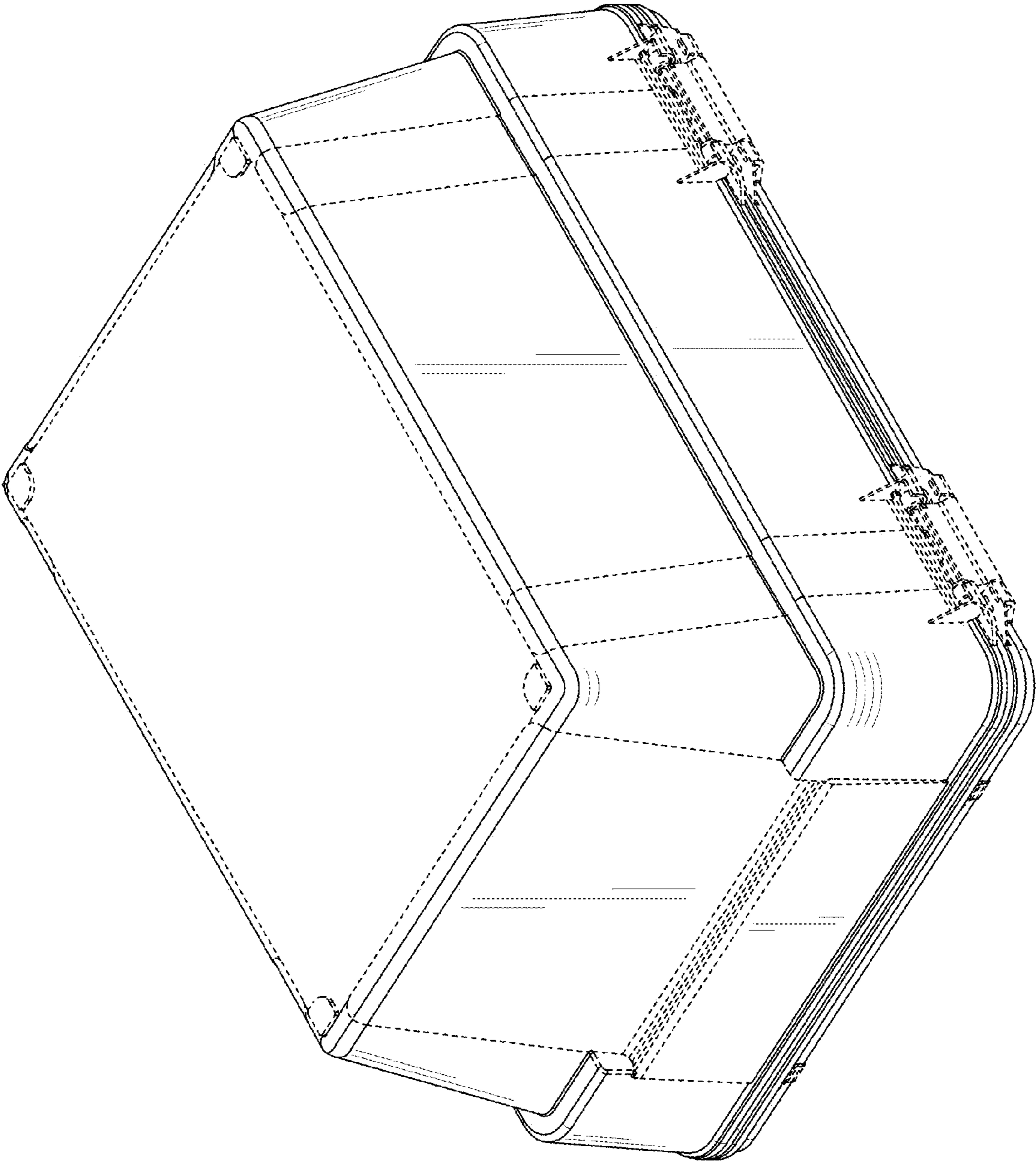


FIG. 2

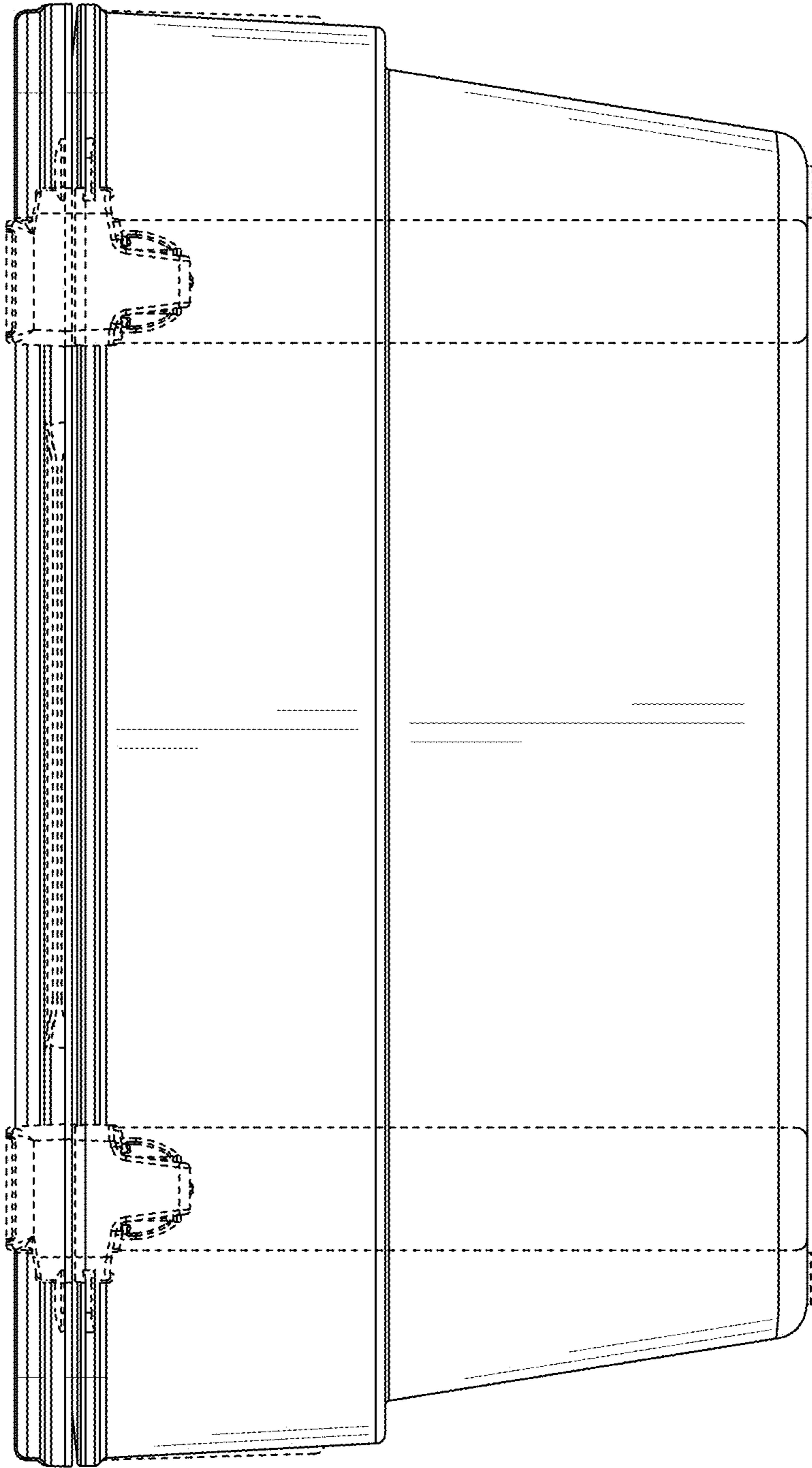


FIG. 3

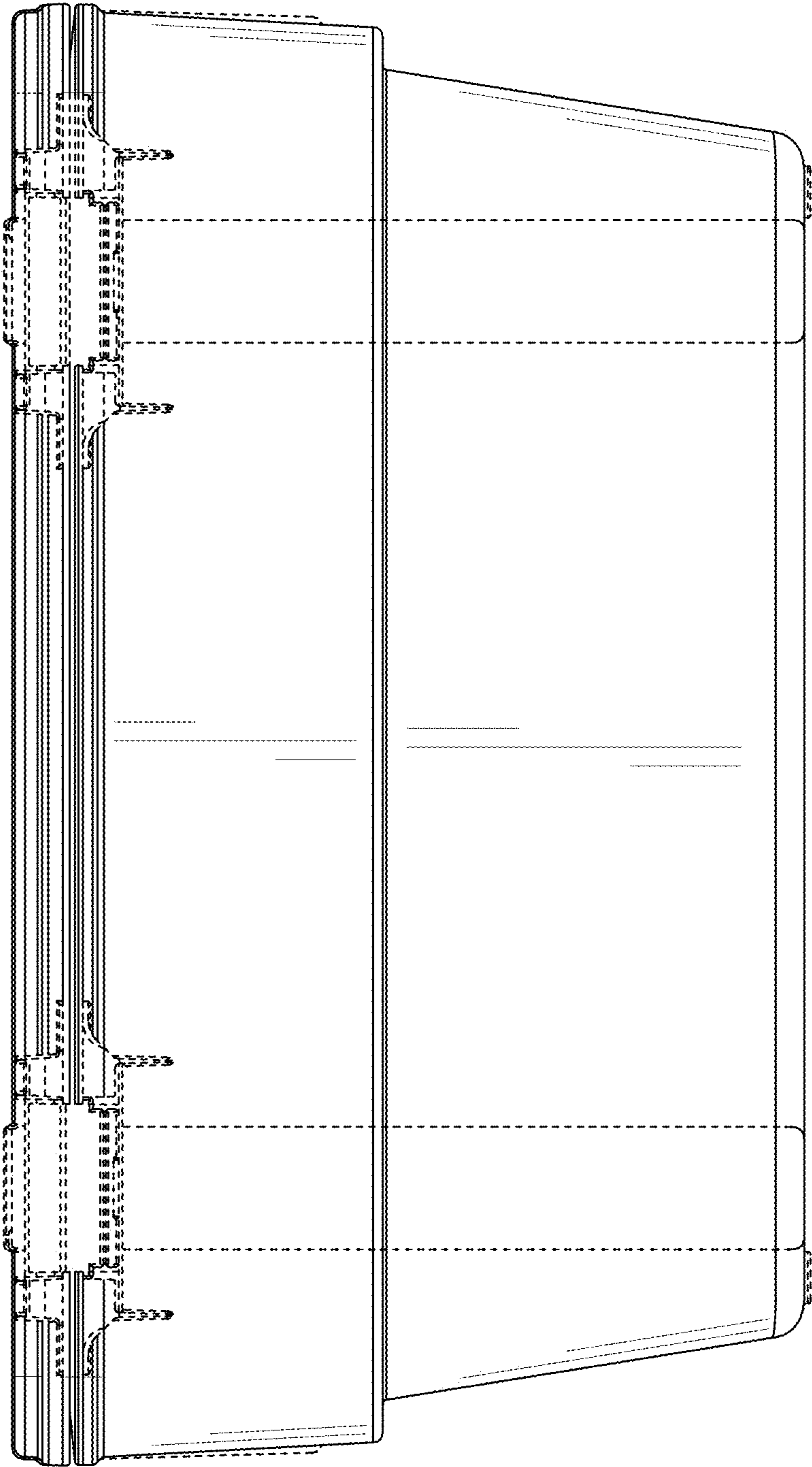


FIG. 4



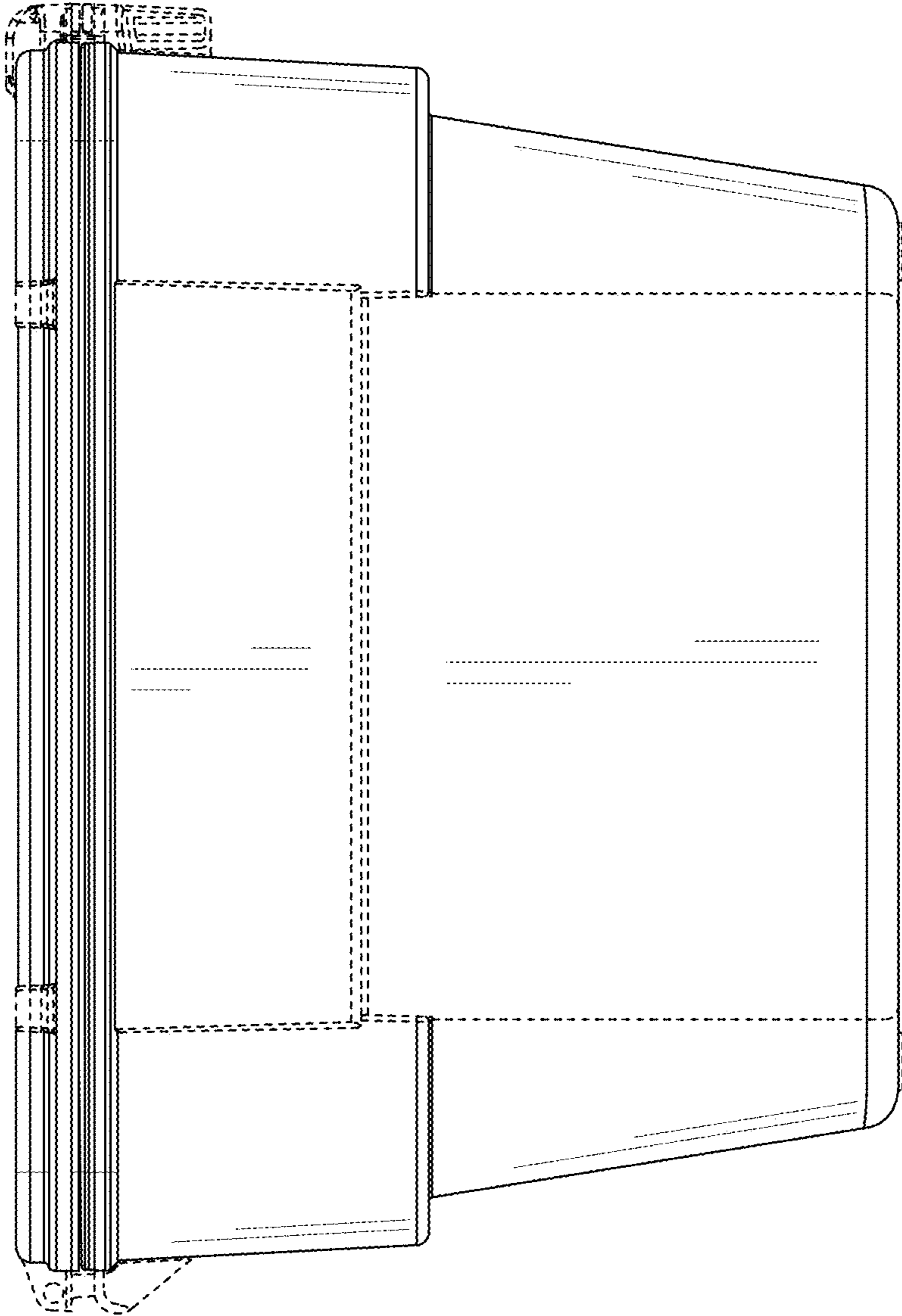


FIG. 5

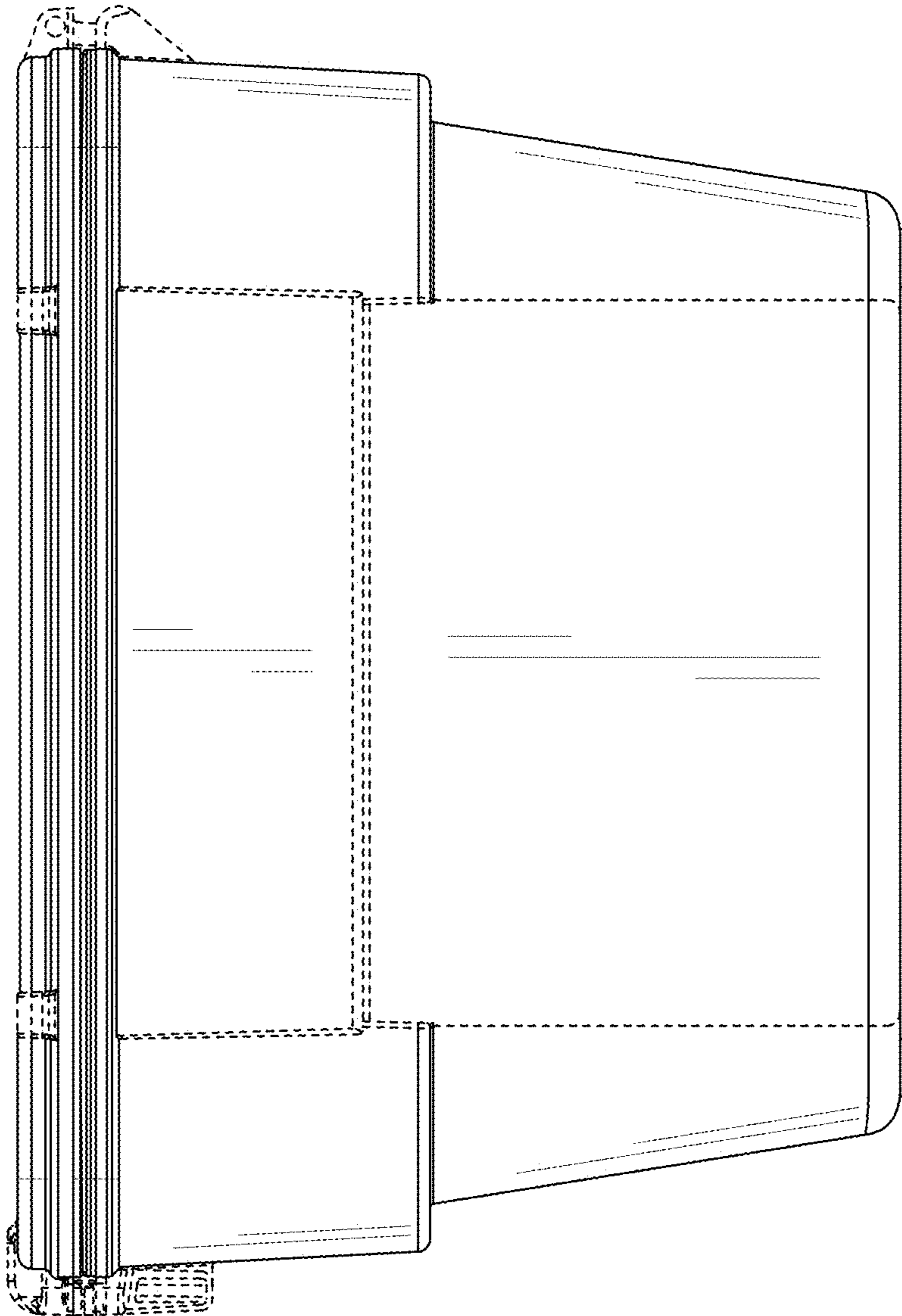


FIG. 6

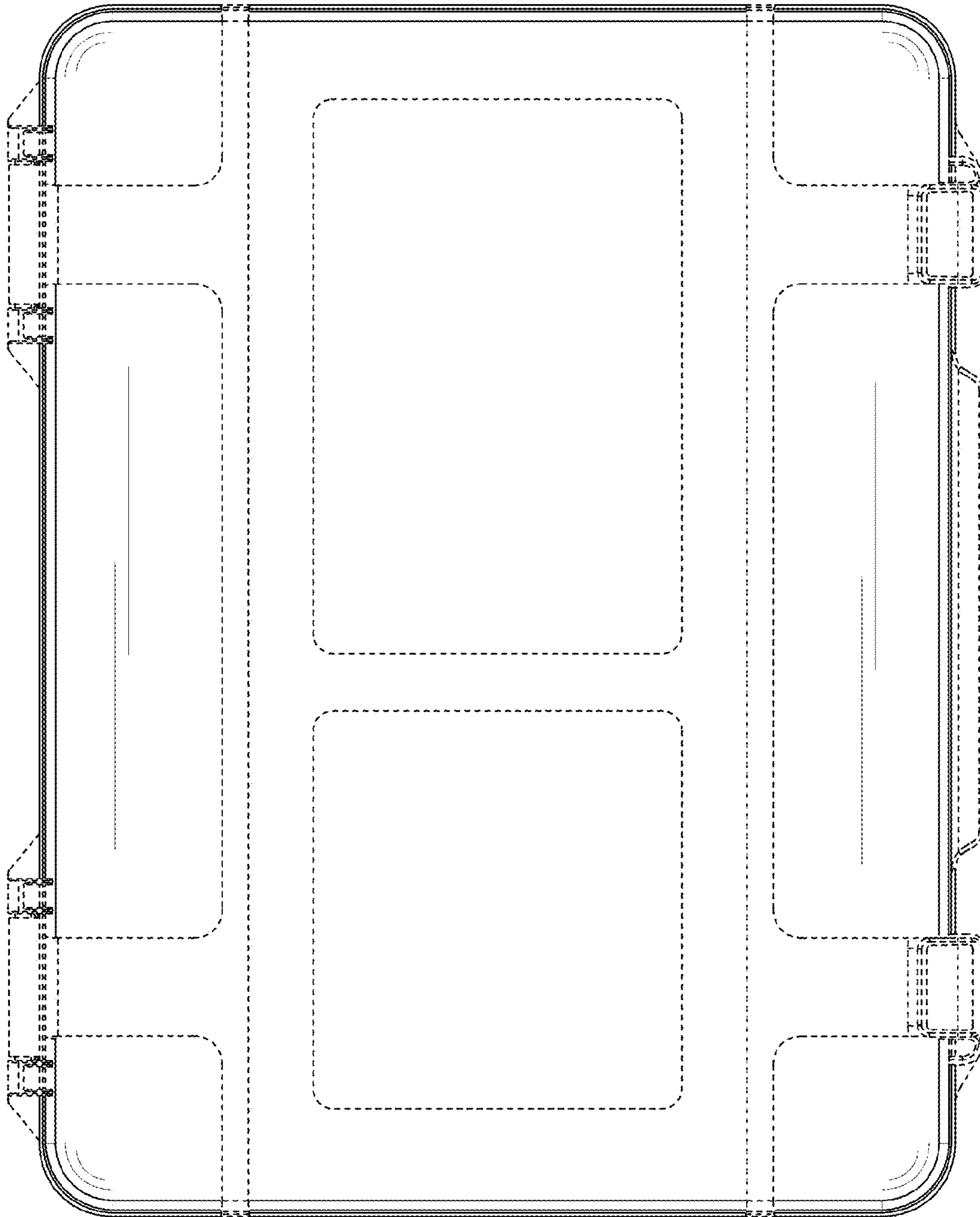


FIG. 7

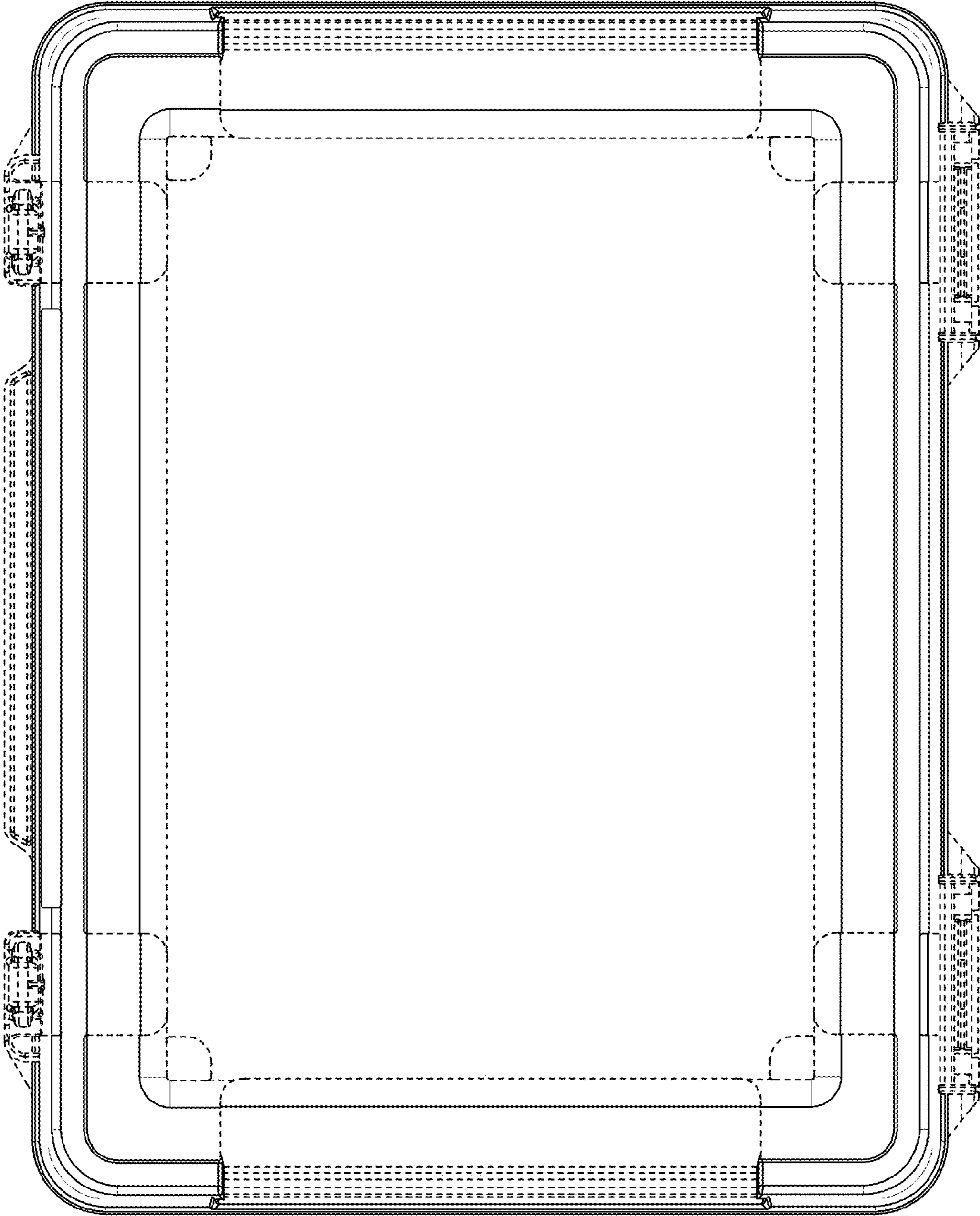


FIG. 8