



US00D912398S

(12) **United States Design Patent**
Bradford

(10) **Patent No.:** **US D912,398 S**

(45) **Date of Patent:** **** Mar. 9, 2021**

(54) **HOLSTER MOUNT**

(71) Applicant: **Richard N. Bradford**, Lake Mary, FL
(US)

(72) Inventor: **Richard N. Bradford**, Lake Mary, FL
(US)

(**) Term: **15 Years**

(21) Appl. No.: **29/599,131**

(22) Filed: **Mar. 31, 2017**

(51) **LOC (13) Cl.** **03-01**

(52) **U.S. Cl.**
USPC **D3/222**

(58) **Field of Classification Search**
USPC D3/215, 222
CPC F41C 33/006; F41C 33/02; F41C 33/041;
F41C 33/008
See application file for complete search history.

(56) **References Cited**

U.S. PATENT DOCUMENTS

4,667,374	A *	5/1987	Bianchi	A41F 9/002 224/667
6,264,079	B1 *	7/2001	Skaggs	F41C 33/0236 224/193
D745,776	S *	12/2015	Perreault	D3/215
9,360,276	B1 *	6/2016	Meek	F41C 33/041
D778,596	S *	2/2017	Swan	D3/222
10,274,296	B2 *	4/2019	Tedder	F42B 39/02
2003/0075574	A1 *	4/2003	Mossman	F41C 33/0227 224/198
2011/0174847	A1 *	7/2011	Crye	F41C 33/0236 224/243

2014/0109345	A1 *	4/2014	Melville	F41C 33/041 24/3.1
2014/0305983	A1 *	10/2014	Ruiz, III	F41C 33/048 224/587
2018/0100720	A1 *	4/2018	Tedder	F41C 33/041
2018/0202765	A1 *	7/2018	Tedder	F41C 33/048
2019/0063870	A1 *	2/2019	Tedder	F41C 33/04

* cited by examiner

Primary Examiner — R. Johnson

(74) *Attorney, Agent, or Firm* — Terry M. Sanks, Esquire;
Beusse Sanks, PLLC

(57) **CLAIM**

The ornamental design for a holster mount, as shown and described.

DESCRIPTION

FIG. 1 is a rear side perspective view of a holster mount showing my new design, comprising a clip and bracket coupled to a holster; the broken lines showing the portions of the design, which form no part of the claim;

FIG. 2 is a rear elevation view thereof;

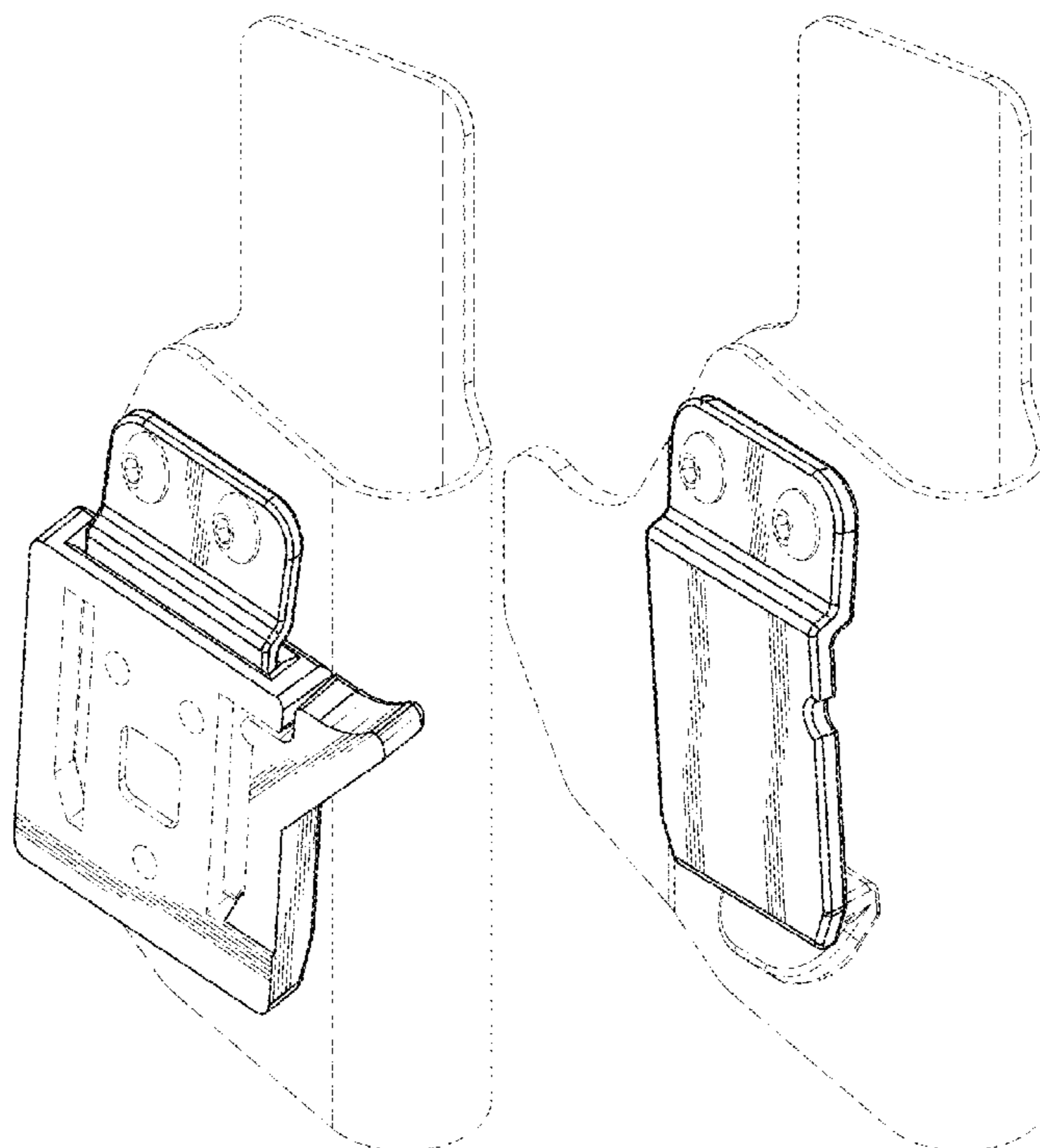
FIG. 3 is a rear perspective view of the clip portion of the holster mount coupled to the holster, the bracket removed for ease of illustration;

FIG. 4 is a rear perspective view of the mounting bracket; the clip and holster removed for ease of illustration; and,

FIG. 5 is a front perspective view of the mounting bracket of FIG. 4.

In FIGS. 1-5, the broken lines represent the portions of the design that form no part of the claim.

1 Claim, 5 Drawing Sheets



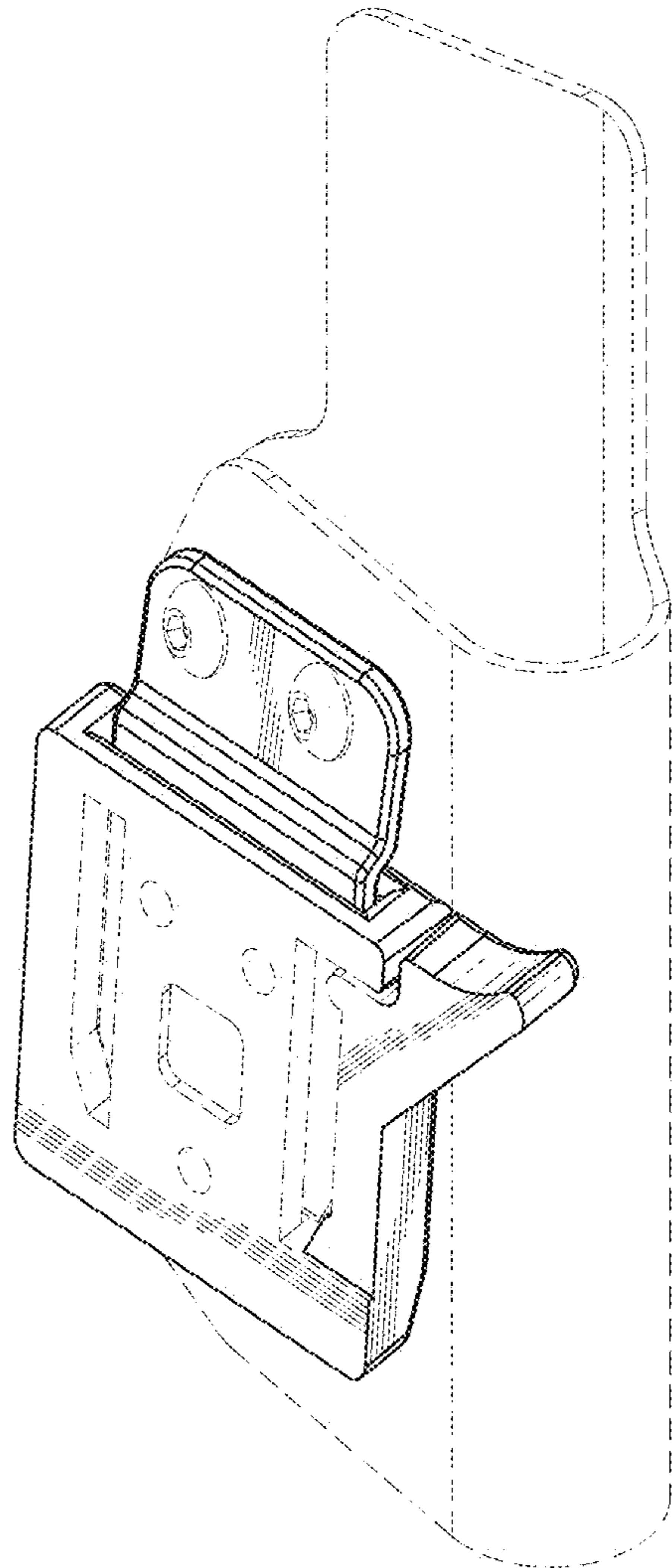


FIG. 1

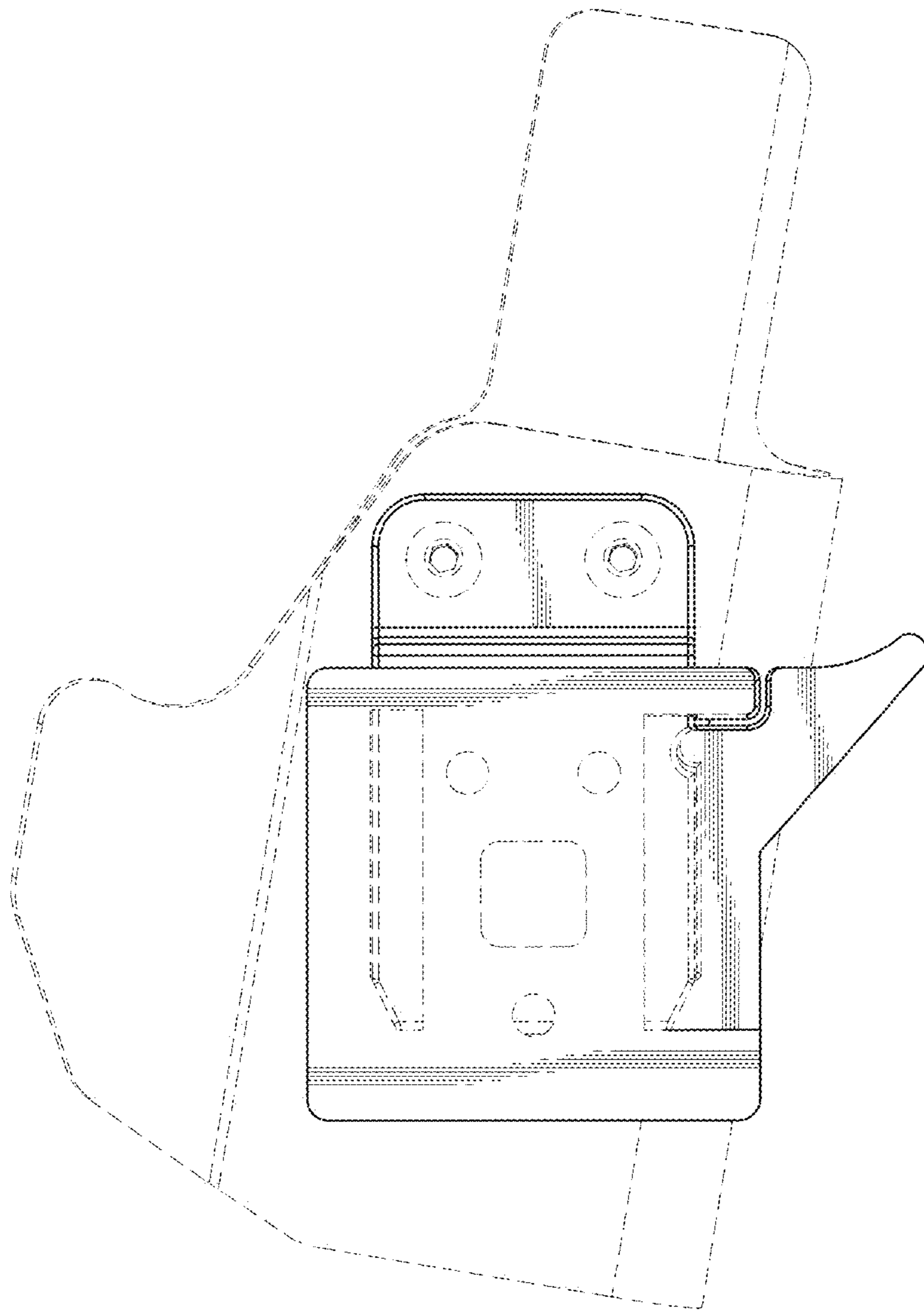


FIG. 2

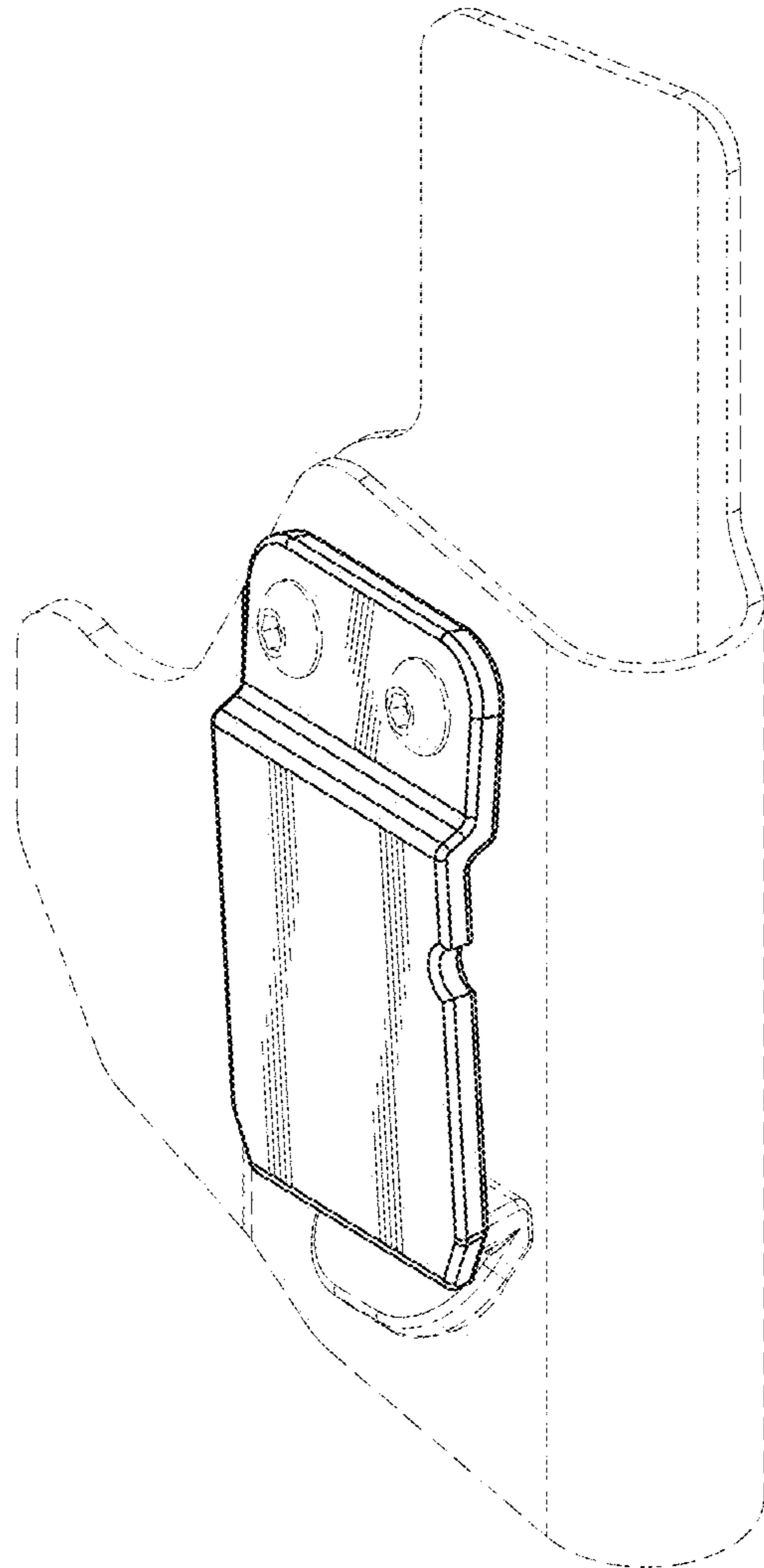


FIG. 3

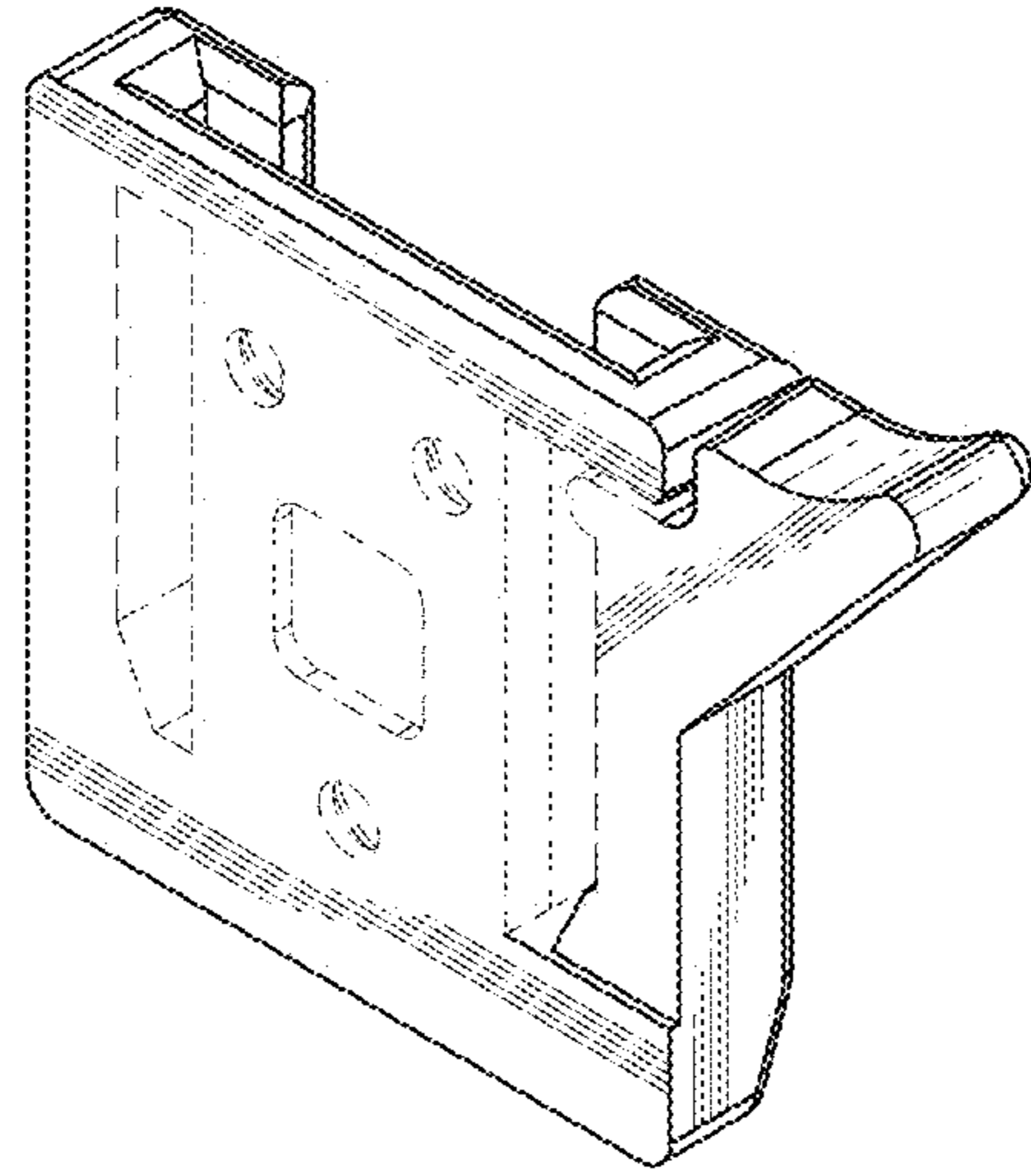


FIG. 4

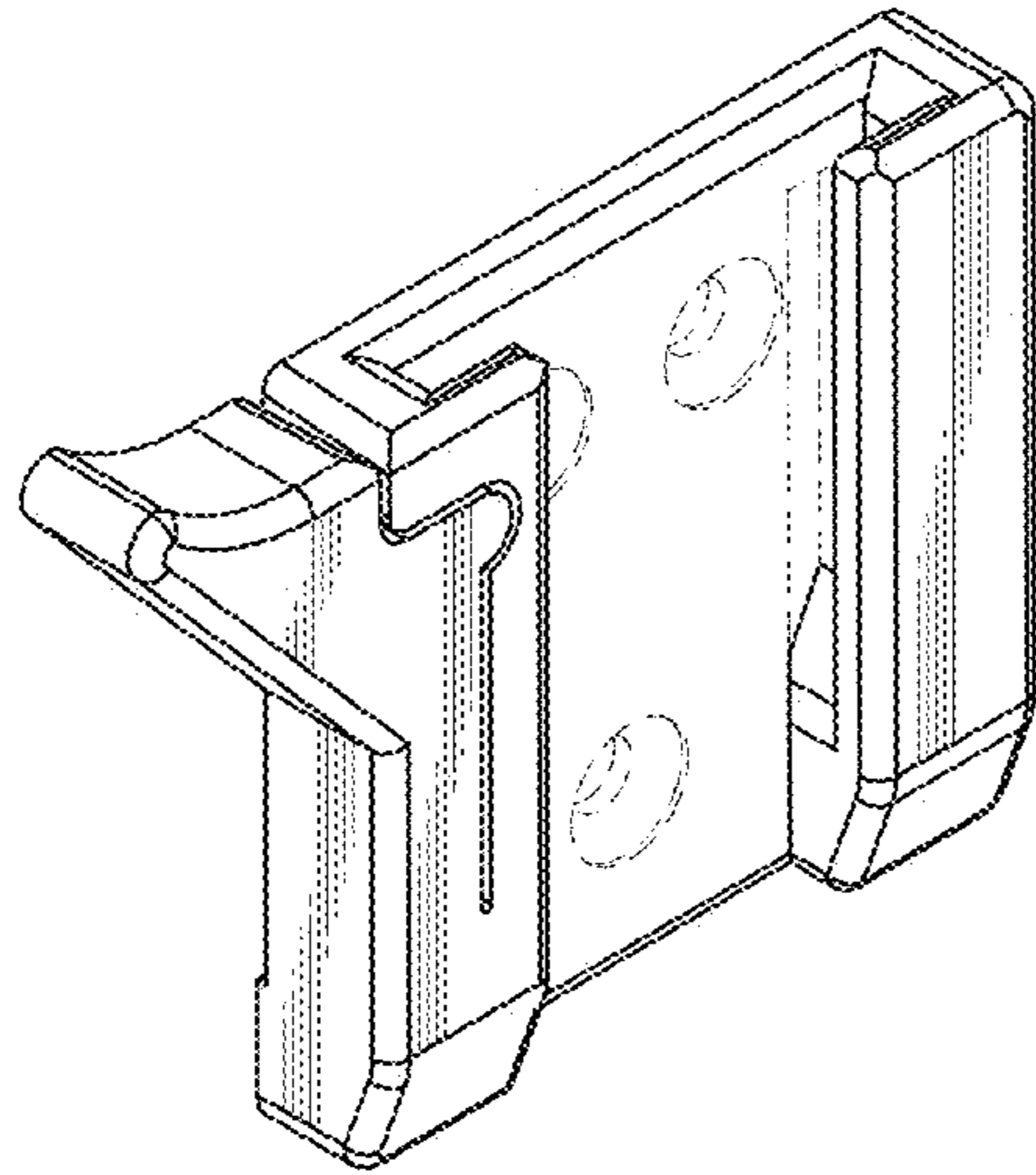


FIG. 5