



US00D912397S

(12) **United States Design Patent**
Rui

(10) **Patent No.:** **US D912,397 S**
(45) **Date of Patent:** **** Mar. 9, 2021**

(54) **SPORT BELT BAG**

(71) Applicant: **SHENZHEN SHENZHOU EGO NETWORK AND TECHNOLOGY CO., LTD**, Shenzhen (CN)

(72) Inventor: **Yudong Rui**, Shenzhen (CN)

(**) Term: **15 Years**

(21) Appl. No.: **29/743,477**

(22) Filed: **Jul. 22, 2020**

(30) **Foreign Application Priority Data**

May 19, 2020 (CN) 202030231471.X

(51) **LOC (13) Cl.** **03-01**

(52) **U.S. Cl.**
USPC **D3/221**

(58) **Field of Classification Search**
USPC D3/221, 224, 226; 224/236, 240, 245, 224/251, 662, 663, 665, 673, 680, 683, 224/901.2, 901.4, 930
CPC A45F 3/14; A45F 5/00; A45F 5/02; A45F 5/021; Y10S 224/93
See application file for complete search history.

(56) **References Cited**

U.S. PATENT DOCUMENTS

D434,897 S * 12/2000 Hillman D3/218
D472,702 S * 4/2003 Hassett D3/218
D497,715 S * 11/2004 Saltarelli D3/226

D611,710 S 3/2010 Paik
D638,948 S 5/2011 Janzon
D663,950 S 7/2012 Willows
D668,862 S * 10/2012 Pomerantz D3/224
D805,766 S * 12/2017 Bogue D3/226
D839,591 S * 2/2019 Yamanaka D3/226
D863,756 S * 10/2019 Chudy D3/226
D880,851 S * 4/2020 Liu D3/224

* cited by examiner

Primary Examiner — Catherine R Oliver-Garcia

(74) *Attorney, Agent, or Firm* — HYIP

(57) **CLAIM**

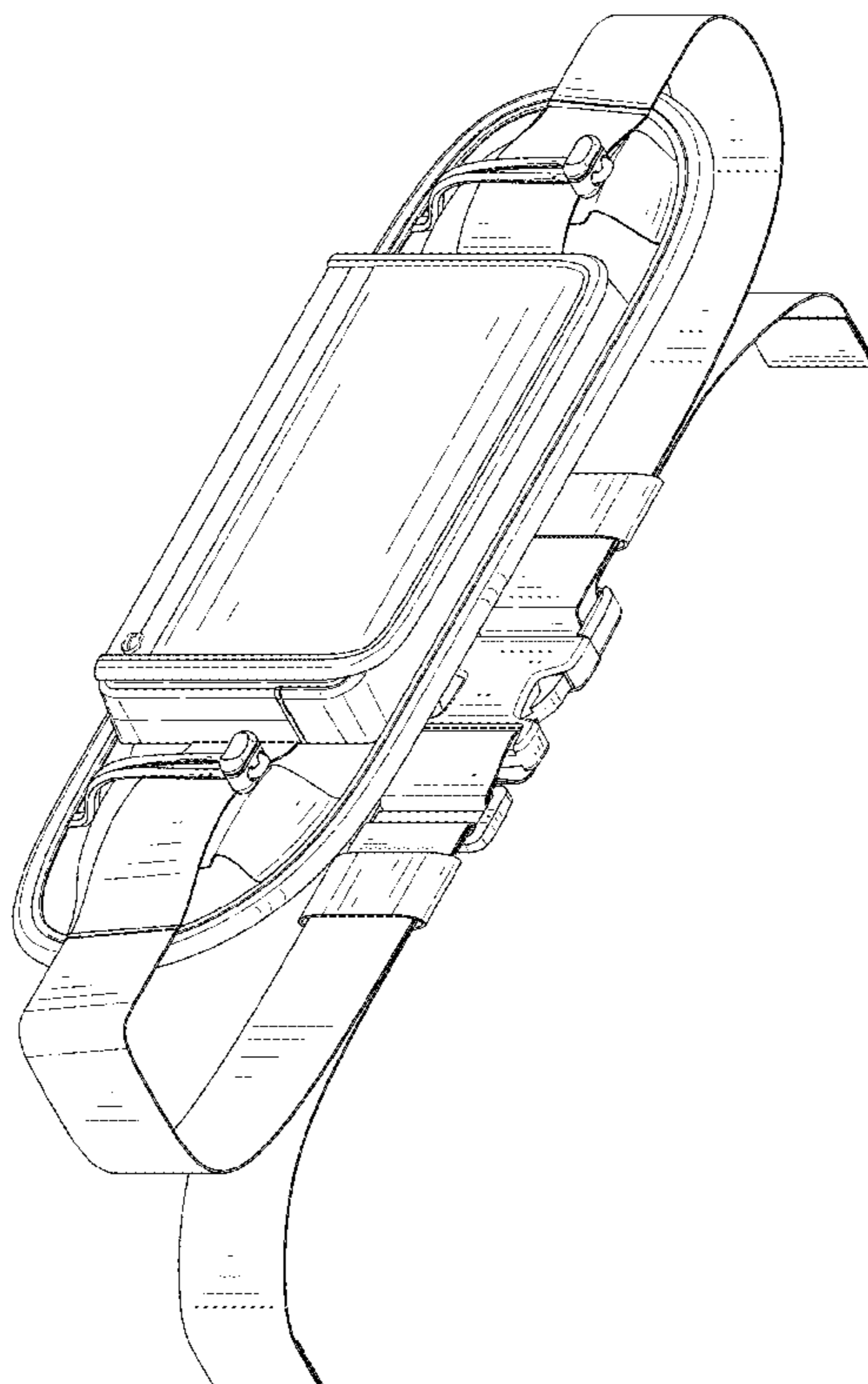
The ornamental design for a sport belt bag, as shown and described.

DESCRIPTION

FIG. 1 is a first perspective view of a sport belt bag showing my design;
FIG. 2 is a second perspective view thereof;
FIG. 3 is a front view thereof;
FIG. 4 is a back view thereof;
FIG. 5 is a left side view thereof;
FIG. 6 is a right side view thereof;
FIG. 7 is a top view thereof;
FIG. 8 is a bottom view thereof; and,
FIG. 9 is a perspective view of another state of the sport belt bag thereof.

The broken lines shown in the drawings depict portions of the sport belt bag in which the design is embodied that form no part of the claimed design.

1 Claim, 9 Drawing Sheets



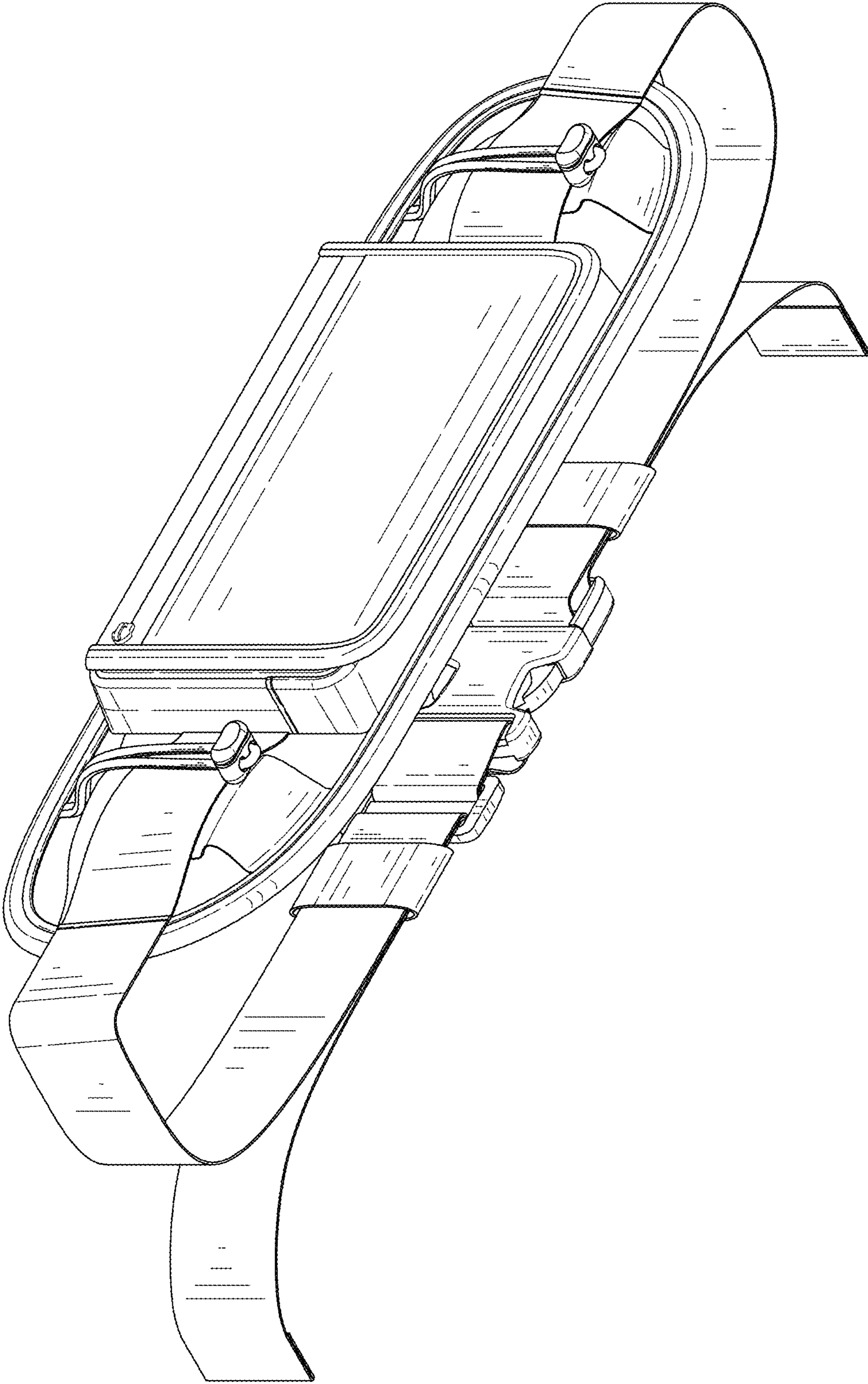


FIG. 1

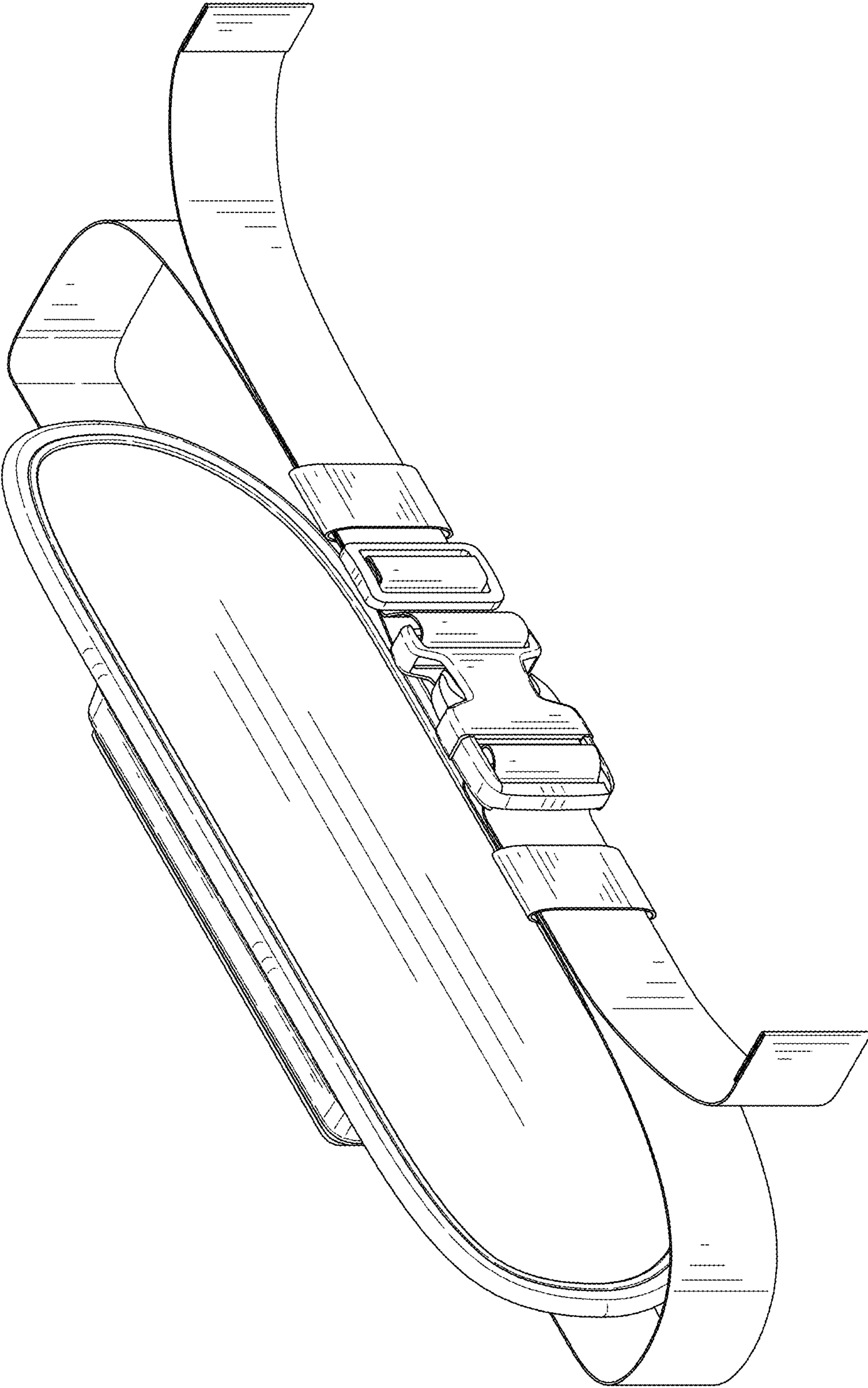


FIG. 2

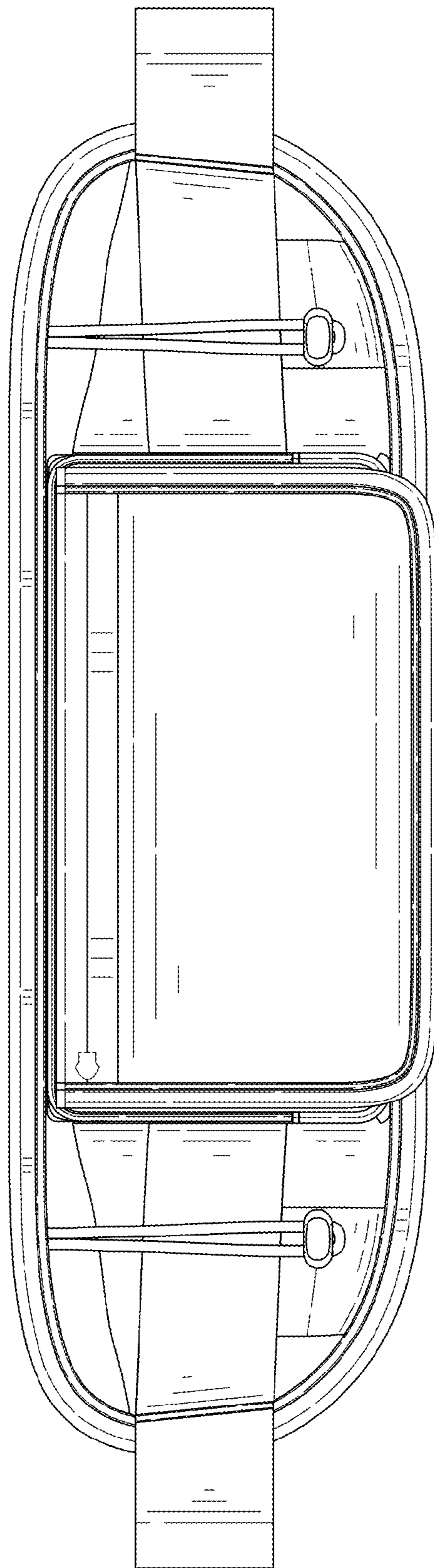


FIG. 3

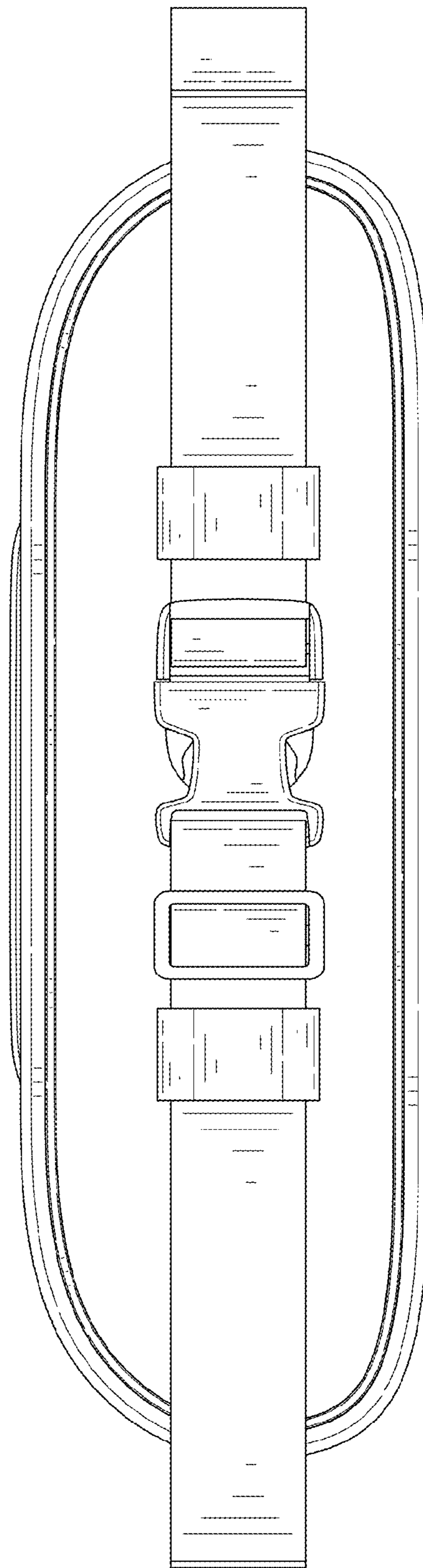


FIG. 4

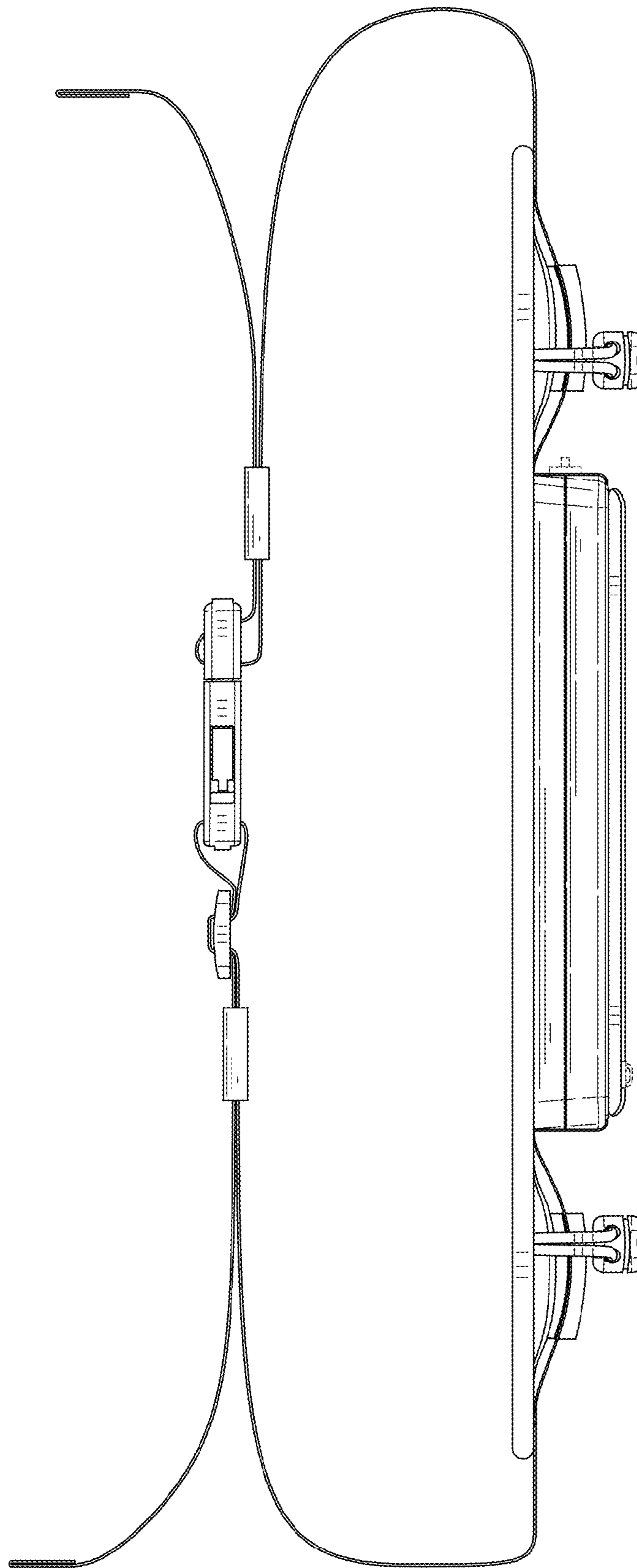


FIG. 5

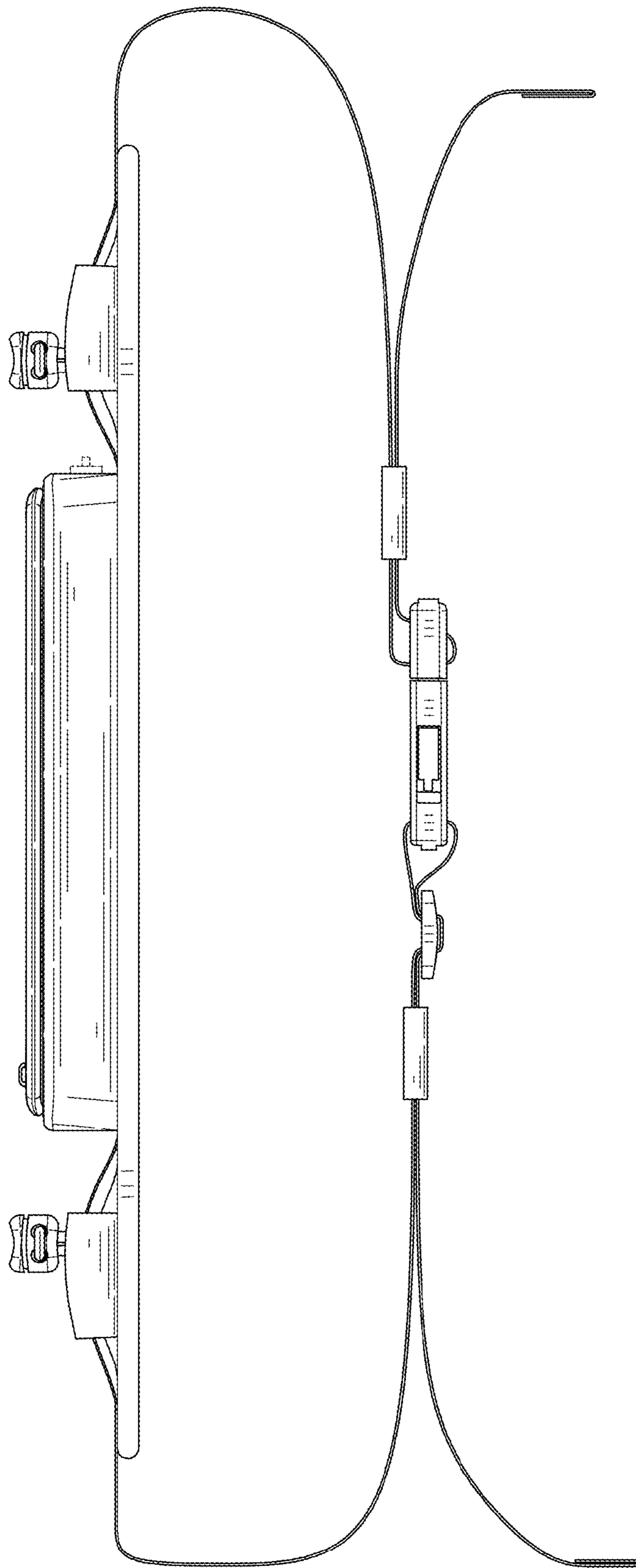


FIG. 6

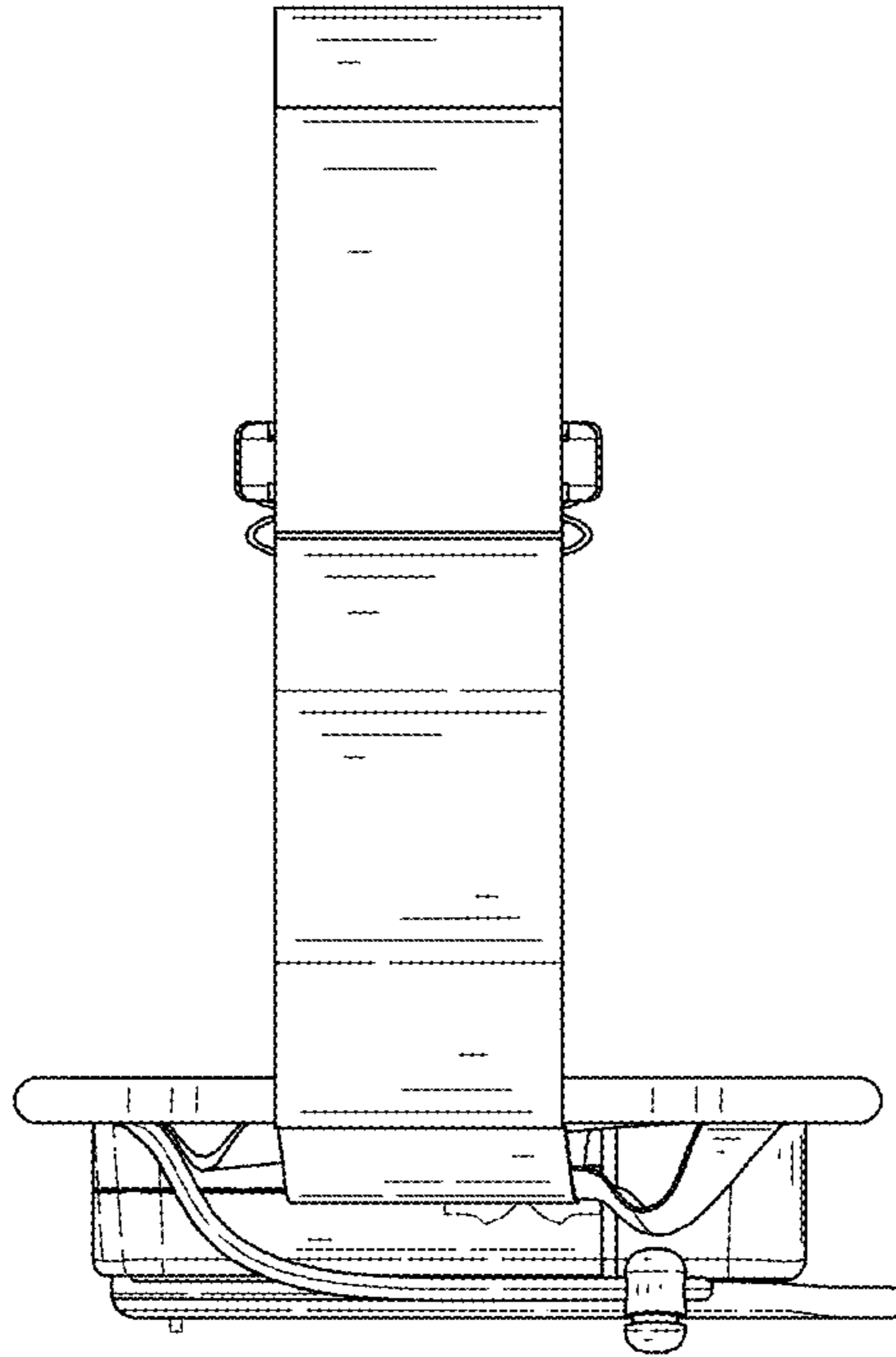


FIG. 7

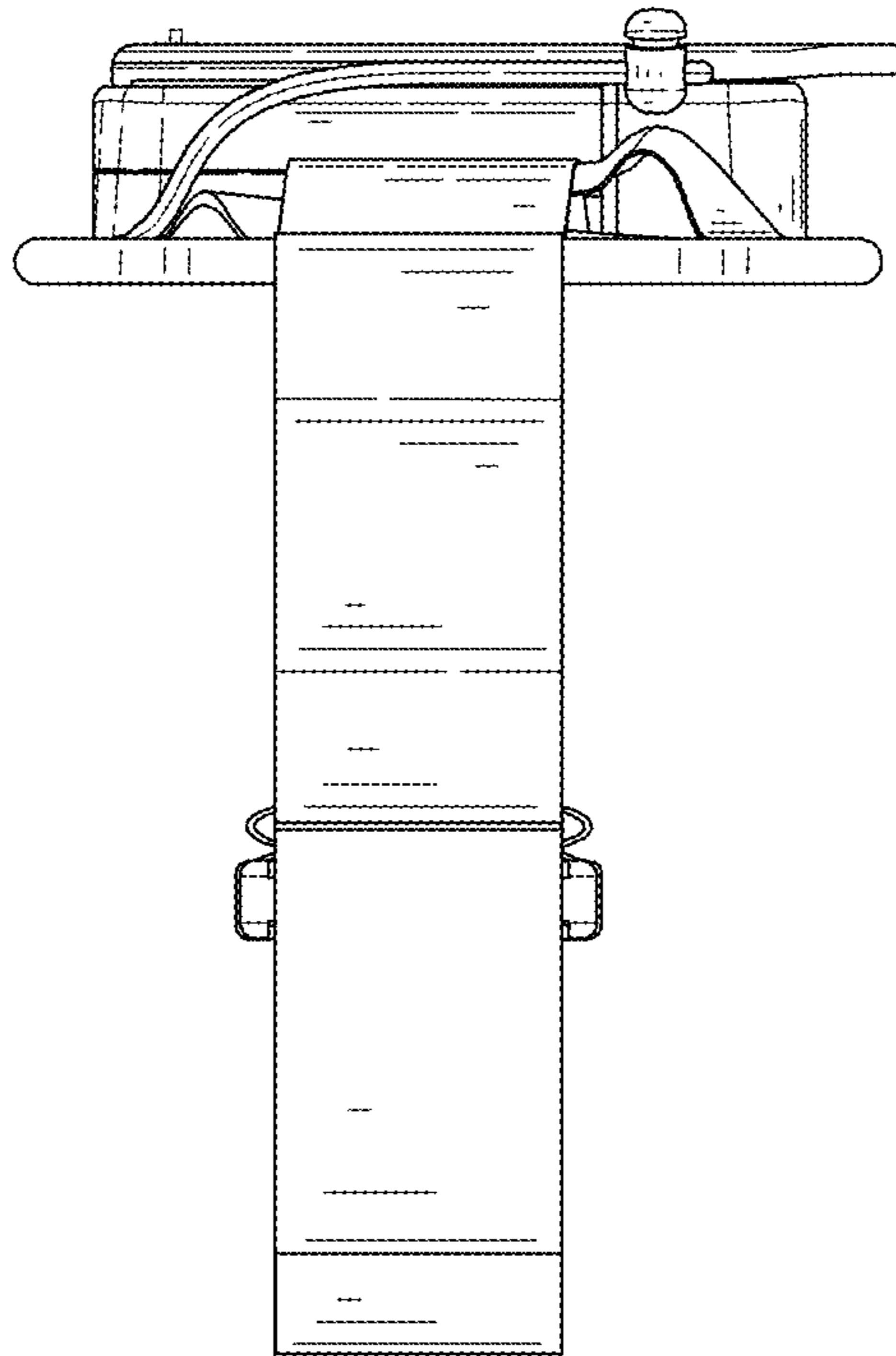


FIG. 8

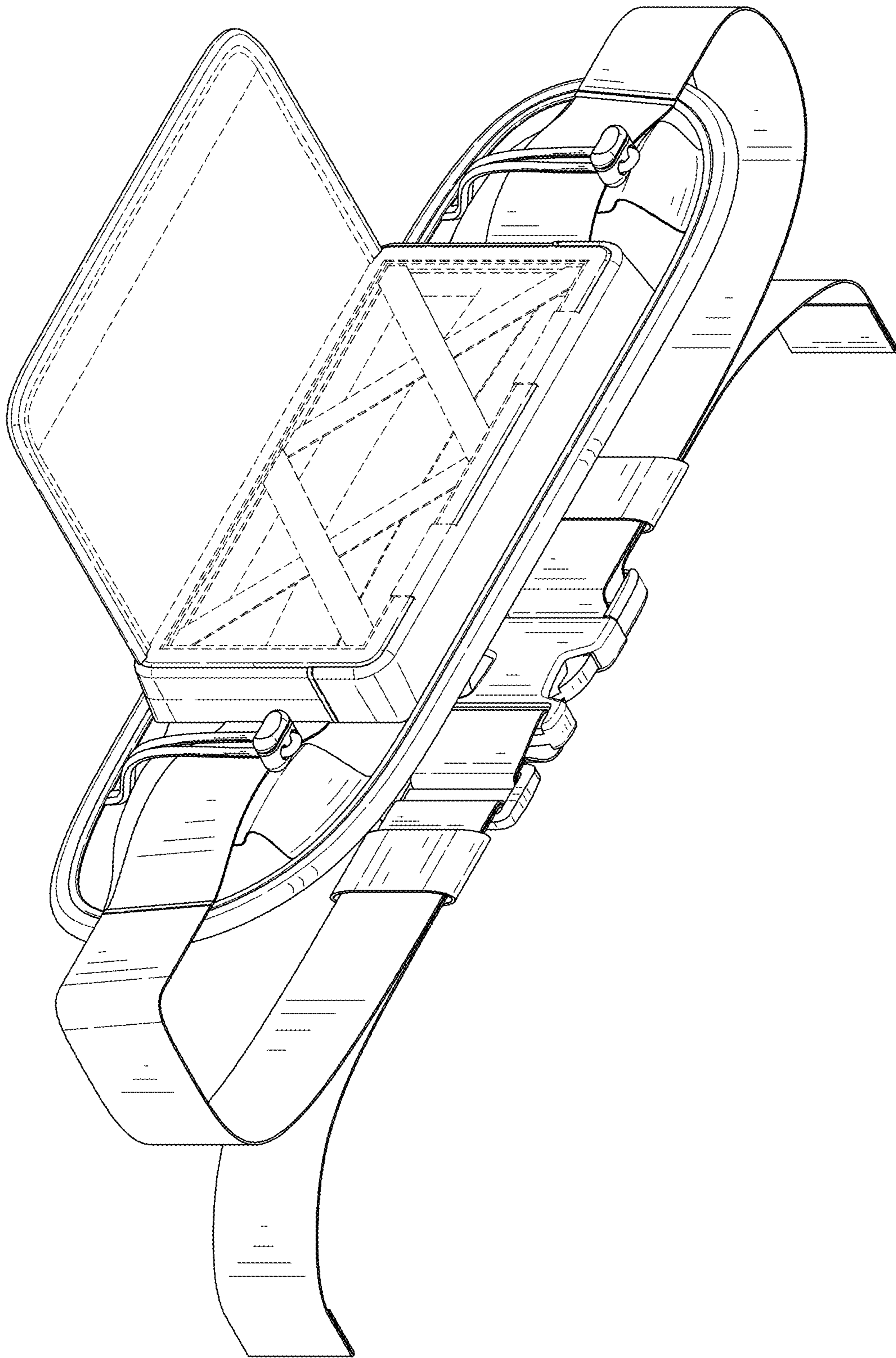


FIG. 9