



US00D912395S

(12) **United States Design Patent** (10) **Patent No.:** **US D912,395 S**  
**Brown** (45) **Date of Patent:** **\*\* Mar. 9, 2021**

(54) **APPARATUS FOR STORING EARPHONES**

(71) Applicant: **Jondarius Brown**, Tchula, MS (US)

(72) Inventor: **Jondarius Brown**, Tchula, MS (US)

(\*\*) Term: **15 Years**

(21) Appl. No.: **29/711,694**

(22) Filed: **Nov. 1, 2019**

(51) **LOC (13) Cl.** ..... **03-01**

(52) **U.S. Cl.**  
USPC ..... **D3/218**

(58) **Field of Classification Search**  
USPC ..... D3/218, 215, 219; D2/865-867, 354;  
D8/354; 24/3.12, 3.1, 326, 336, 10 R,  
24/11 R, 580.1; 514/340; 546/269.4;  
381/370; 455/575.1, 575.6  
CPC ..... A45F 5/02; A42B 1/006; Y10T 24/344;  
Y10T 13/3427; Y10T 1/062; H04R  
1/10008  
See application file for complete search history.

(56) **References Cited**

**U.S. PATENT DOCUMENTS**

637,889	A *	11/1899	Parker	.....	B42D 3/12
					24/11 R
2,832,114	A *	4/1958	Mead	.....	G02C 11/00
					24/10 R
D359,616	S *	6/1995	Ishibashi	.....	D3/218
D384,791	S *	10/1997	Juergens	.....	D2/866
5,829,103	A *	11/1998	Allen	.....	A45F 5/02
					24/11 R
6,481,060	B1 *	11/2002	Tsai	.....	A42B 1/062
					2/10
D506,744	S	6/2005	Andre et al.		
D510,086	S	9/2005	Hirakawa et al.		
D511,769	S	11/2005	Harakawa et al.		
D620,781	S	8/2010	Weckworth		
D623,501	S	9/2010	Blonder		
D623,502	S	9/2010	Blonder		
D637,584	S	5/2011	Peller		

D638,398	S	5/2011	Morison
D676,022	S	2/2013	Stevinson
D676,416	S	2/2013	Stevinson
8,403,135	B2	3/2013	Corry
D682,807	S	5/2013	Stevinson
D685,771	S	7/2013	Bertenthal

(Continued)

**FOREIGN PATENT DOCUMENTS**

WO	2014/133113	9/2014
----	-------------	--------

**OTHER PUBLICATIONS**

Website printout of AirPods Watch Band Holder available from Apple, Jun. 2018.  
Amazon website printout of MICOK AirPods holder, May 23, 2019.

*Primary Examiner* — Catherine R Oliver-Garcia  
(74) *Attorney, Agent, or Firm* — Robinson IP Law, PLLC

(57) **CLAIM**

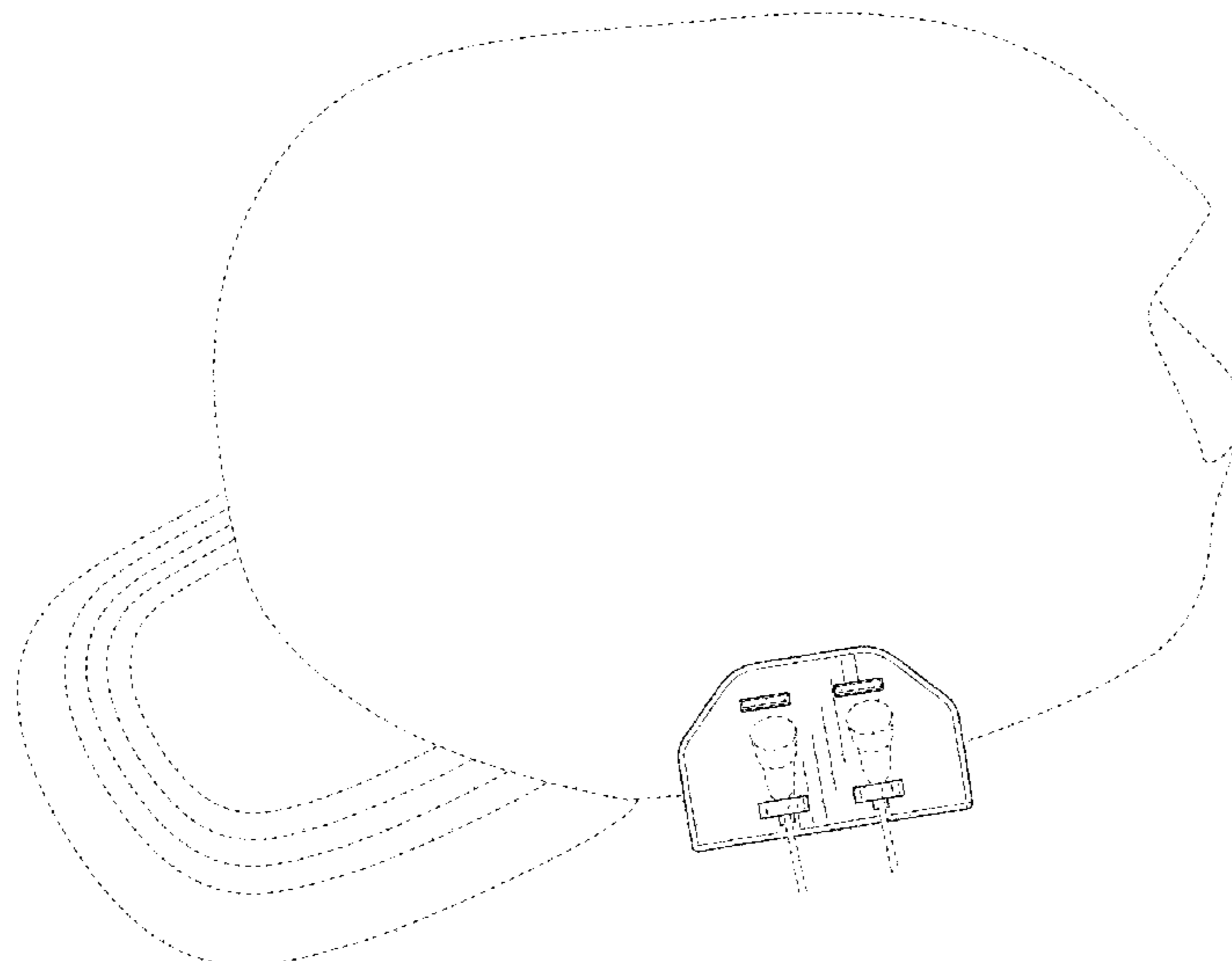
The ornamental design for an apparatus for storing earphones, as shown.

**DESCRIPTION**

FIG. 1 is a top perspective view of the apparatus for storing earphones showing my new design;  
FIG. 2 is a top plan view thereof;  
FIG. 3 is a bottom plan view thereof;  
FIG. 4 is a front elevation view thereof;  
FIG. 5 is a rear elevation view thereof;  
FIG. 6 is a side elevation view thereof;  
FIG. 7 is an opposite side elevation view thereof; and,  
FIG. 8 is a perspective view, shown in use.

Any broken-line illustration in the drawing disclosure is not a part of the design sought to be patented. Similarly, lines indicating shading are included for illustrative purposes to better perceive the three-dimensional structure of the claimed design but are not otherwise meant to be limiting in any manner.

**1 Claim, 8 Drawing Sheets**



(56)

**References Cited**

U.S. PATENT DOCUMENTS

D691,372	S	10/2013	Chun	
8,631,934	B2	1/2014	Chun	
8,655,005	B2	2/2014	Birger et al.	
8,842,872	B2	9/2014	Stevinson	
D720,330	S	12/2014	Stevinson	
D720,718	S	1/2015	Stevinson	
D730,315	S	5/2015	Stevinson	
9,071,903	B1	6/2015	Crockran, Jr.	
9,167,329	B2	10/2015	Honeycutt	
D750,470	S	3/2016	Achenbach et al.	
9,282,809	B2	3/2016	McCurdy	
9,445,180	B1	9/2016	Tite	
D775,818	S	1/2017	Ingraham	
9,578,409	B1	2/2017	Crockran, Jr.	
D784,117	S	4/2017	Ferber et al.	
D802,401	S	11/2017	Harris	
D811,745	S	3/2018	Davi et al.	
D815,067	S	4/2018	Kim	
9,949,011	B2	4/2018	Jen	
D816,994	S	5/2018	Fischer et al.	
D818,993	S	5/2018	Kim	
D830,052	S *	10/2018	Meredith, Sr. ....	D3/215
D835,975	S	12/2018	Putnam, Jr.	
D838,480	S	1/2019	Son et al.	
D849,401	S	5/2019	Akana et al.	
D851,394	S *	6/2019	Li .....	D3/218
D853,116	S	7/2019	Bergman et al.	
2007/0094853	A1 *	5/2007	Ferrari .....	A45F 5/02 24/580.1
2010/0113529	A1 *	5/2010	Learmonth .....	A61P 25/18 514/340
2015/0157078	A1 *	6/2015	Kendis .....	A45F 5/02 24/3.12
2016/0066076	A1	3/2016	Schatt	
2016/0381447	A1	12/2016	Kattine	

\* cited by examiner

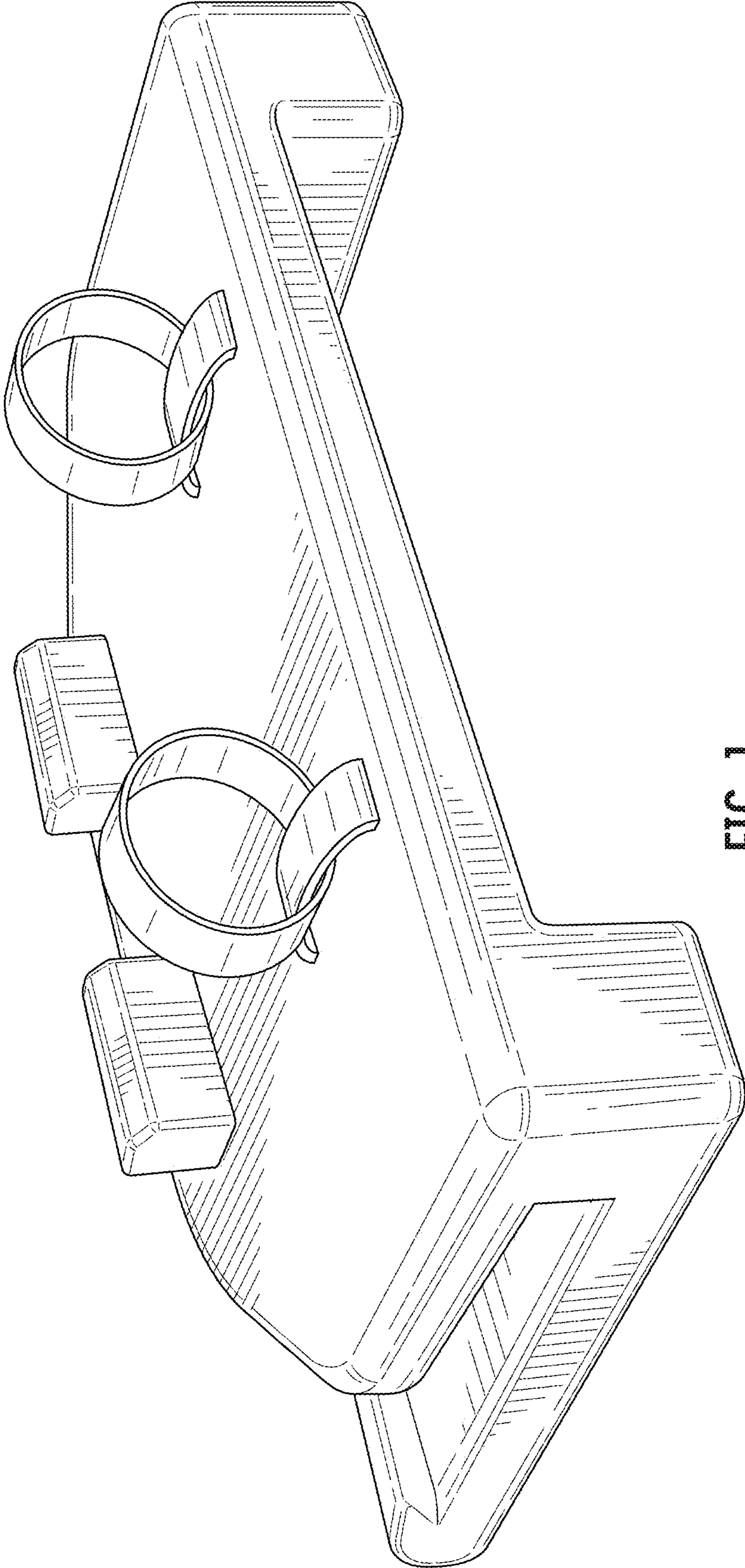


FIG. 1

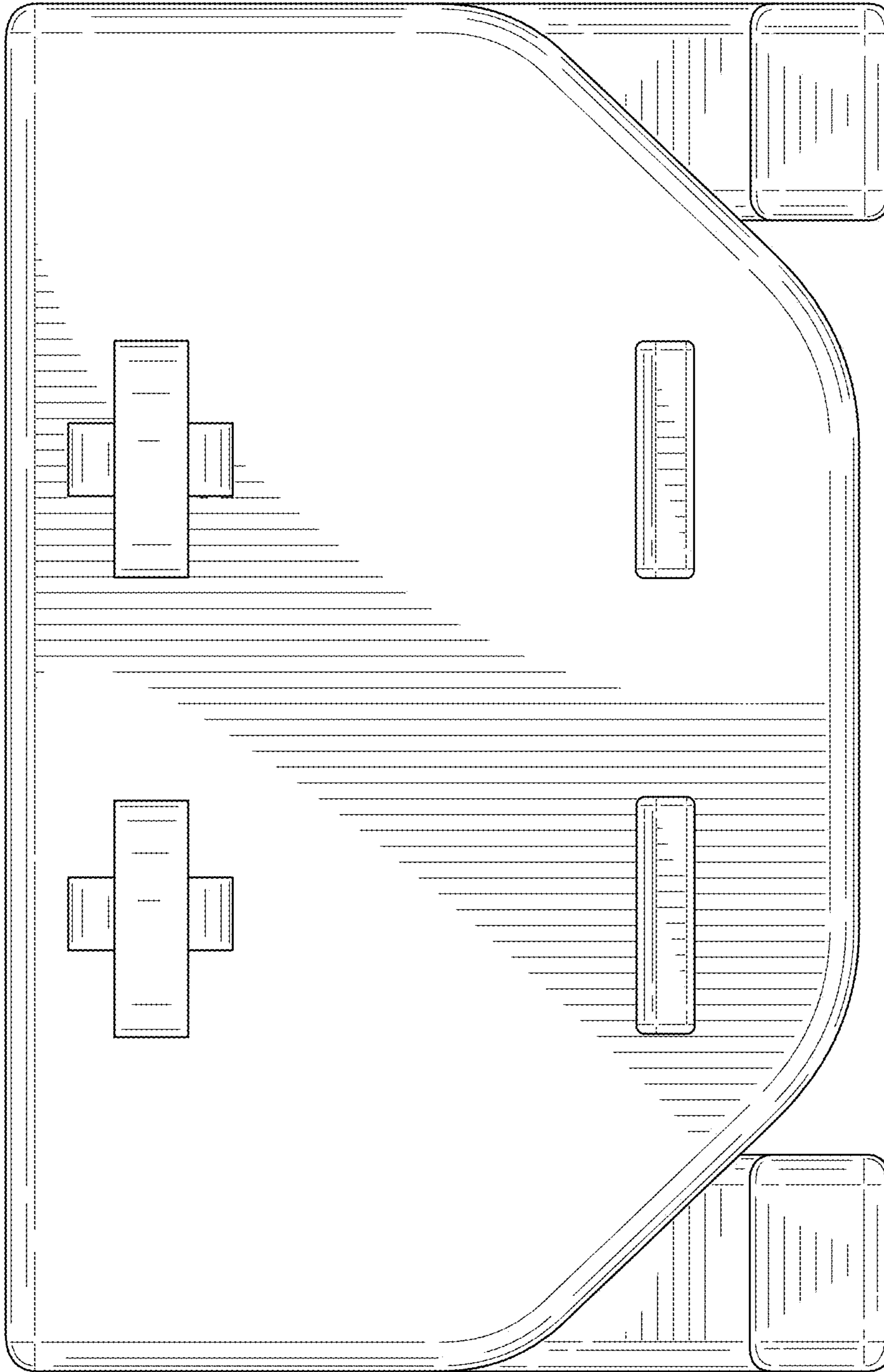


FIG. 2

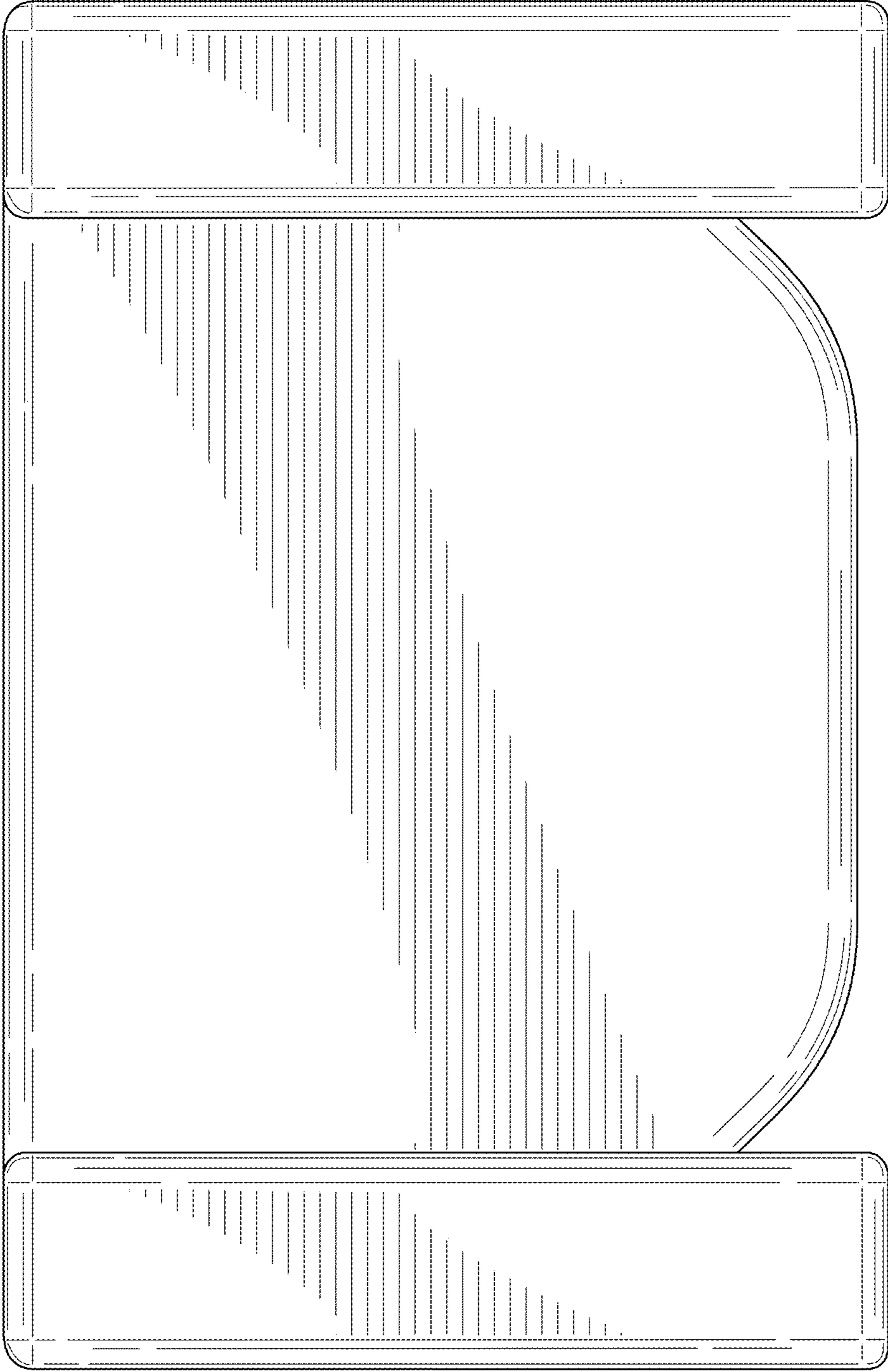


FIG. 3

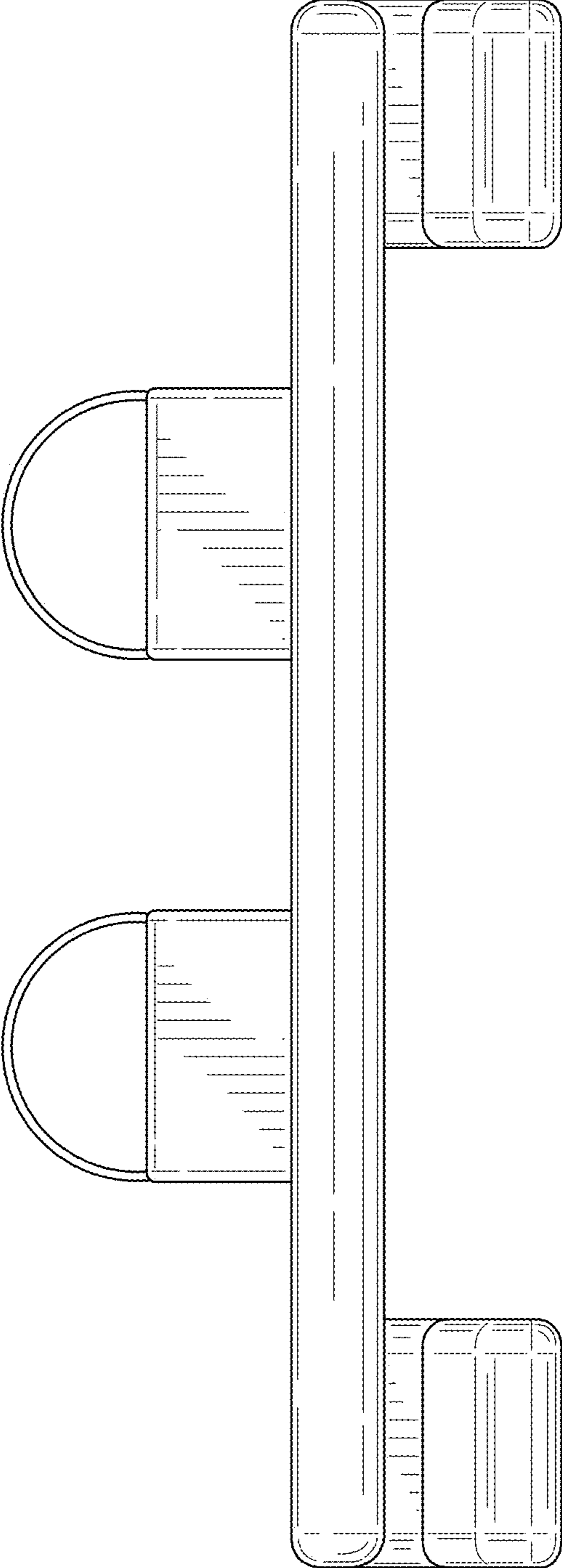


FIG. 4

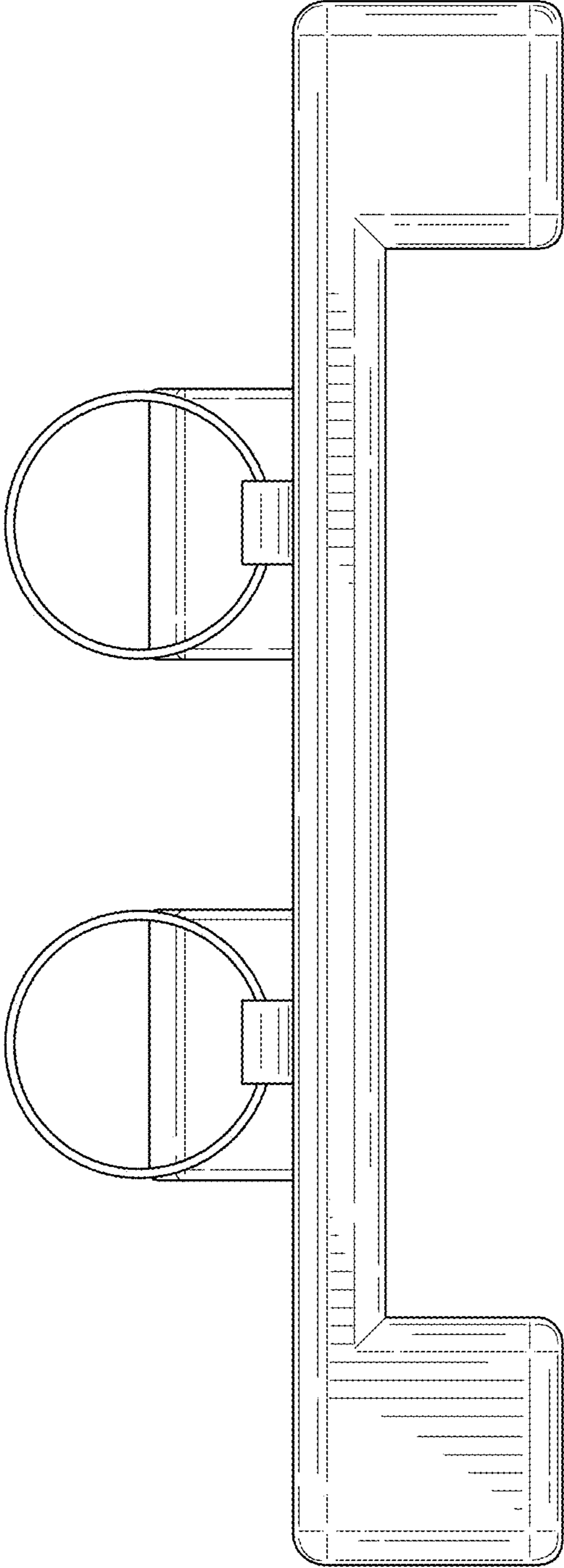


FIG. 5

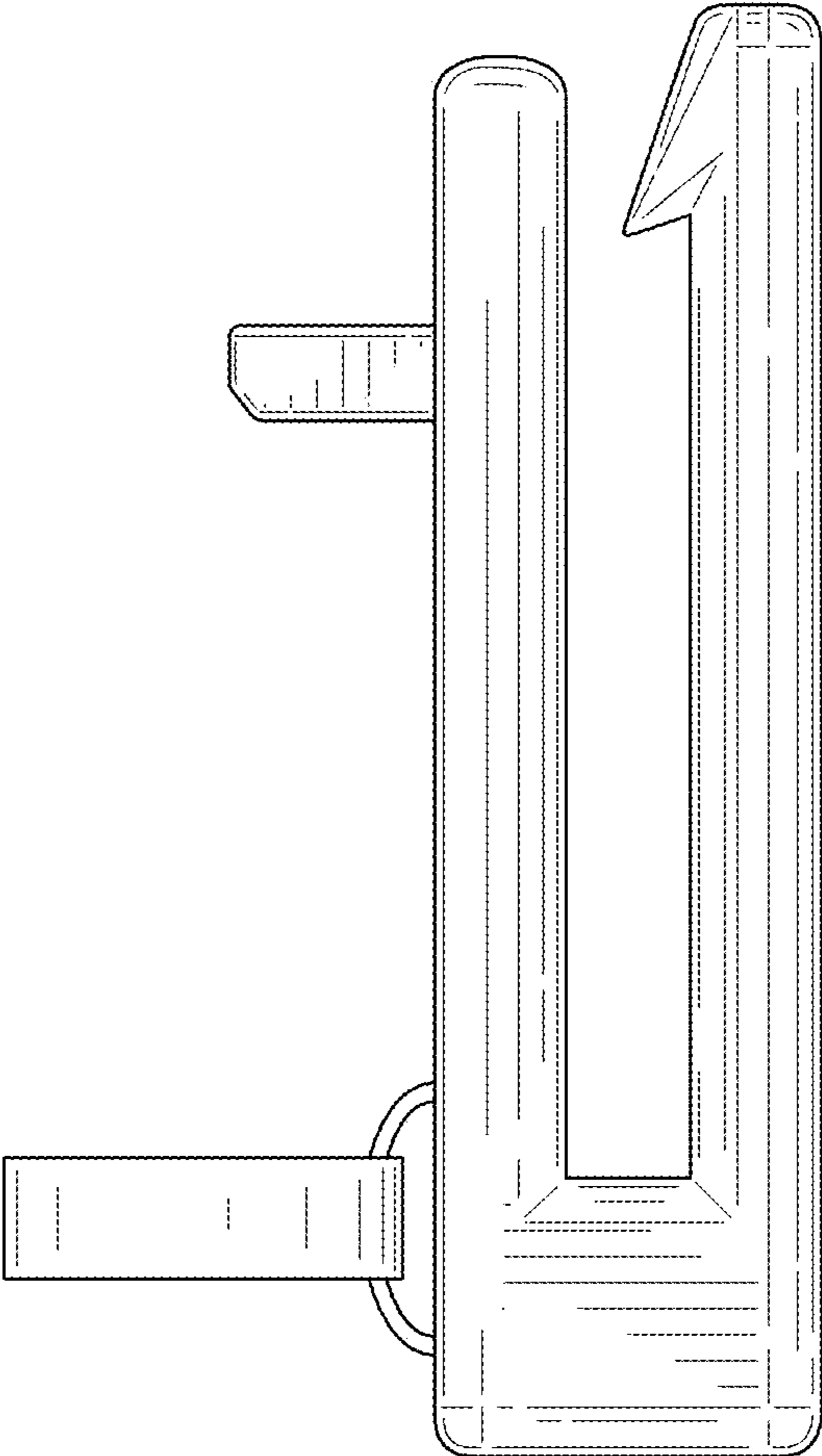


FIG. 6



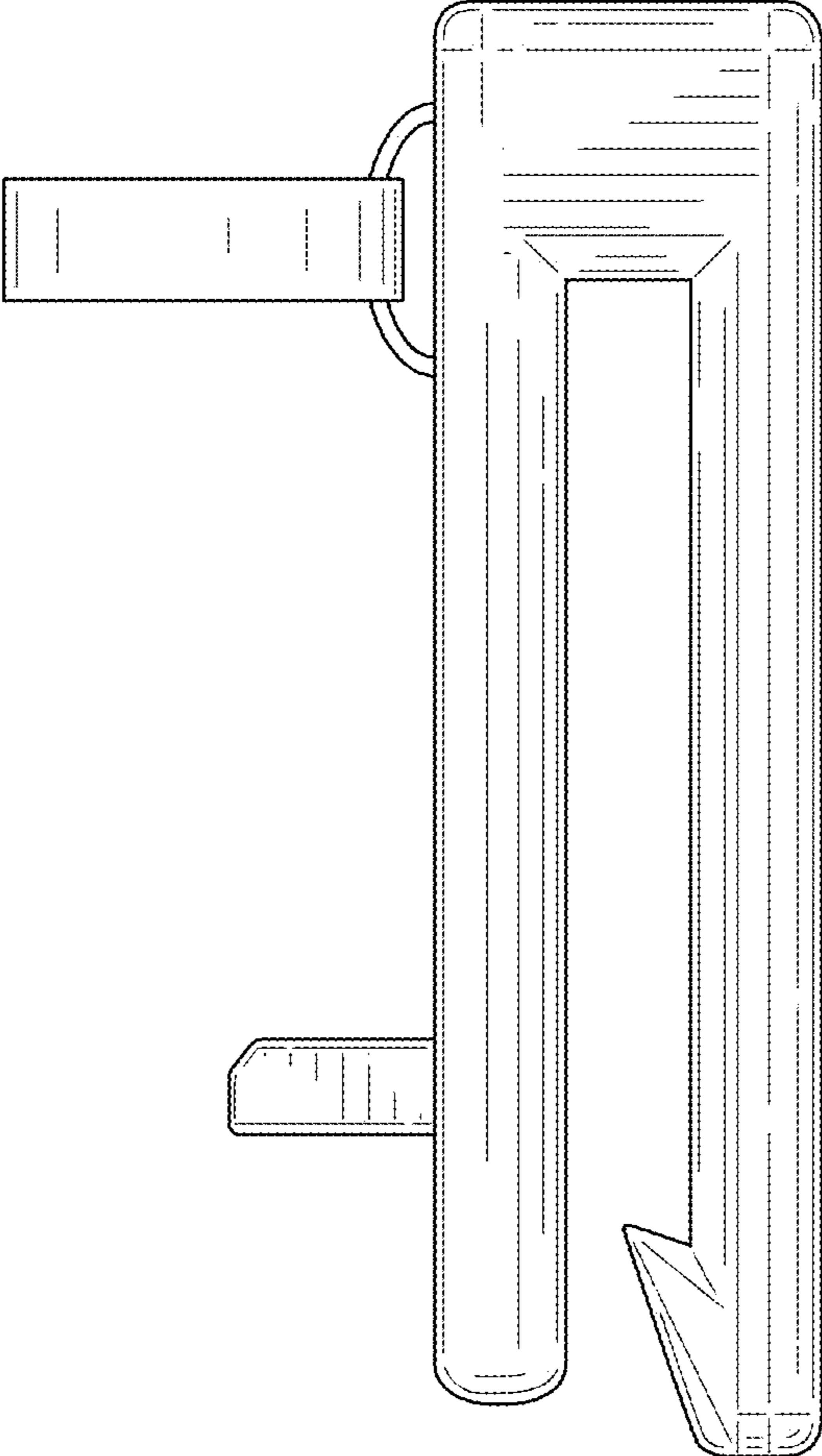


FIG. 7

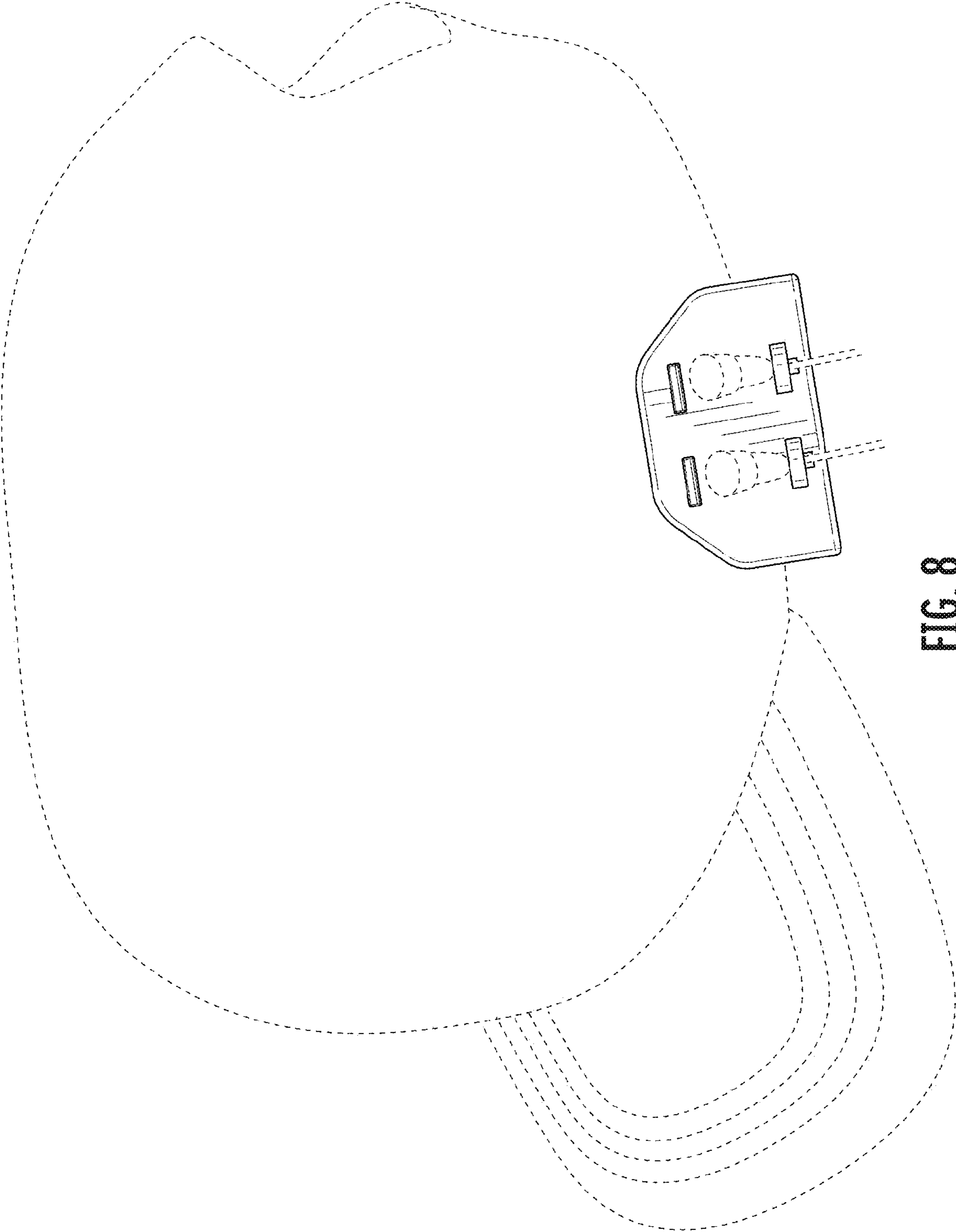


FIG. 8