



US00D912392S

(12) **United States Design Patent**
Yang

(10) **Patent No.:** **US D912,392 S**
(45) **Date of Patent:** **** Mar. 9, 2021**

(54) **PEN BAG**

(71) Applicant: **Chongshan Yang**, Huangpi (CN)

(72) Inventor: **Chongshan Yang**, Huangpi (CN)

(**) Term: **15 Years**

(21) Appl. No.: **29/699,864**

(22) Filed: **Jul. 30, 2019**

(51) **LOC (13) Cl.** **03-01**

(52) **U.S. Cl.**
USPC **D3/206**

(58) **Field of Classification Search**
USPC D19/75, 77-85, 95, 135; D3/206, 301;
D14/432, 252
CPC A45C 11/34; A45C 11/36; B43K 23/016;
B43K 23/06; B43M 99/00; B43M 99/001;
B43M 99/006; B43M 99/008
See application file for complete search history.

(56) **References Cited**

U.S. PATENT DOCUMENTS

D273,533 S *	4/1984	Weinreb	D3/268
D276,400 S *	11/1984	Daenen	D7/614
D328,184 S *	7/1992	Krugman	D3/285
D330,996 S *	11/1992	Smith	D7/629
D340,387 S *	10/1993	Melk	D3/289
D351,729 S *	10/1994	Weber-Unger	D3/202
D355,568 S *	2/1995	Paulin	D3/301
5,403,095 A *	4/1995	Melk	A45C 11/20 220/23.87
5,421,172 A *	6/1995	Jones	F25D 3/08 62/457.5
D373,514 S *	9/1996	Melk	D3/287
D373,515 S *	9/1996	Melk	D3/287
D389,738 S *	1/1998	Hlobil	D9/432
D391,074 S *	2/1998	Bean	D3/201
D406,013 S *	2/1999	Yousko	D7/607

D436,805 S *	1/2001	Haskins	D7/607
6,427,475 B1 *	8/2002	DeFelice	F25D 3/08 62/457.2
D471,013 S *	3/2003	Peterson	D3/254
D565,252 S *	3/2008	Fick	D30/121
D603,565 S *	11/2009	Fick	D30/121
D684,364 S *	6/2013	Leblanc	D3/289
D756,647 S *	5/2016	Leblanc	D3/289
D756,648 S *	5/2016	Leblanc	D3/289
D763,072 S *	8/2016	Morgan	D9/428
D763,681 S *	8/2016	Morgan	D9/428
D811,723 S *	3/2018	Chen	D3/206
D840,684 S *	2/2019	Luburic	D3/294
D870,552 S *	12/2019	Chong	D9/420
D872,470 S *	1/2020	Beilman	D3/274
D876,216 S *	2/2020	Holka	D9/423

(Continued)

FOREIGN PATENT DOCUMENTS

CN 305453757 * 6/2019

Primary Examiner — Elizabeth A. Albert

(74) *Attorney, Agent, or Firm* — Runit Ranjit Kanakia

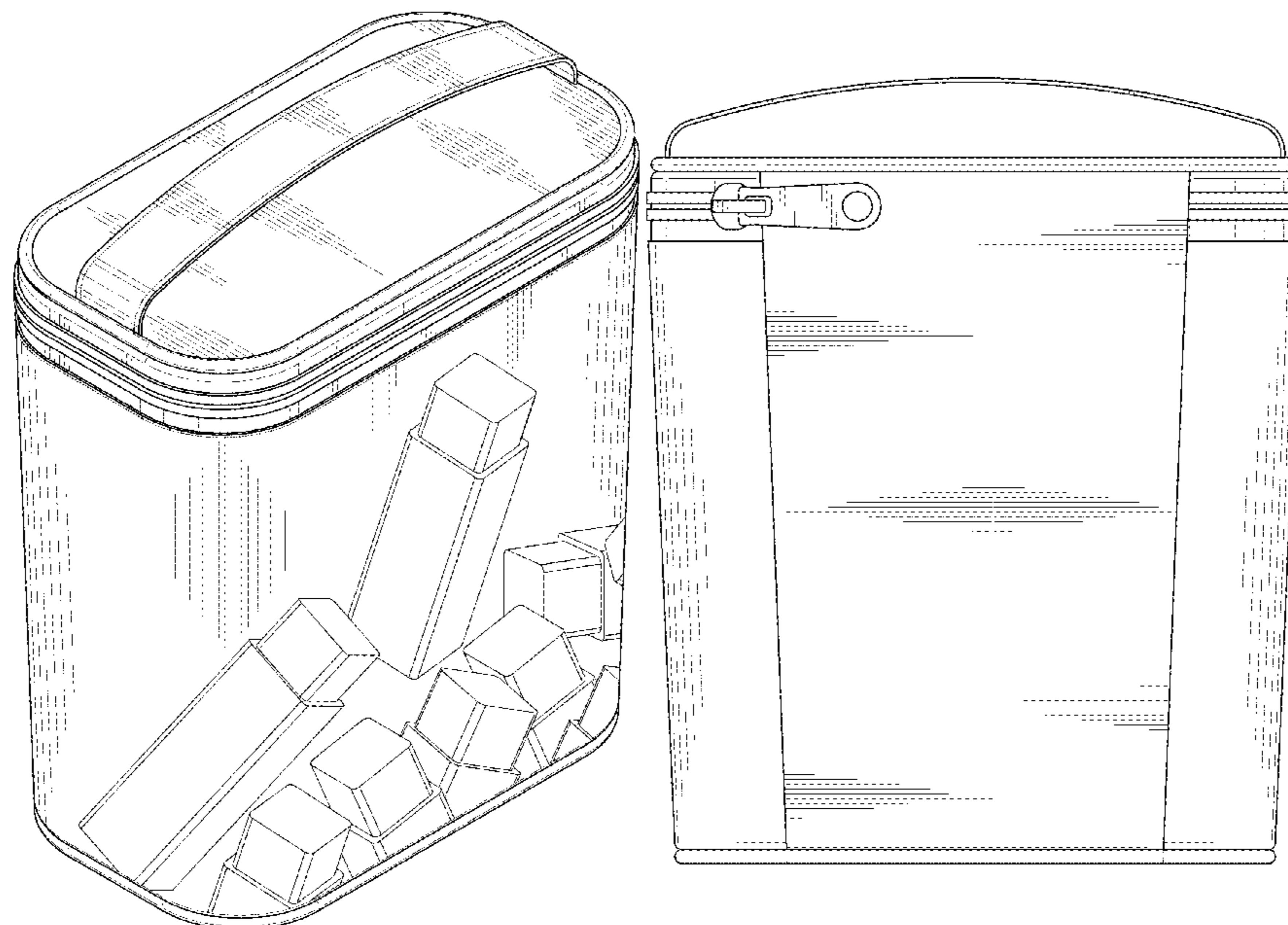
(57) **CLAIM**

I claim the ornamental design for a pen bag, as shown and described.

DESCRIPTION

FIG. 1 is a Perspective view of a pen bag showing my new design;
FIG. 2 is a Front view of the pen bag as shown in FIG. 1;
FIG. 3 is a Back view of the pen bag as shown in FIG. 1;
FIG. 4 is a Left-side view of the pen bag as shown in FIG. 1;
FIG. 5 is a Right-side view of the pen bag as shown in FIG. 1;
FIG. 6 is a Top view of the pen bag as shown in FIG. 1; and,
FIG. 7 is Bottom view of the pen bag as shown in FIG. 1.

1 Claim, 7 Drawing Sheets



(56)

References Cited

U.S. PATENT DOCUMENTS

2003/0178428 A1* 9/2003 Chang B65D 53/02
220/378
2012/0111751 A1* 5/2012 Kryshak A47K 10/3818
206/389

* cited by examiner

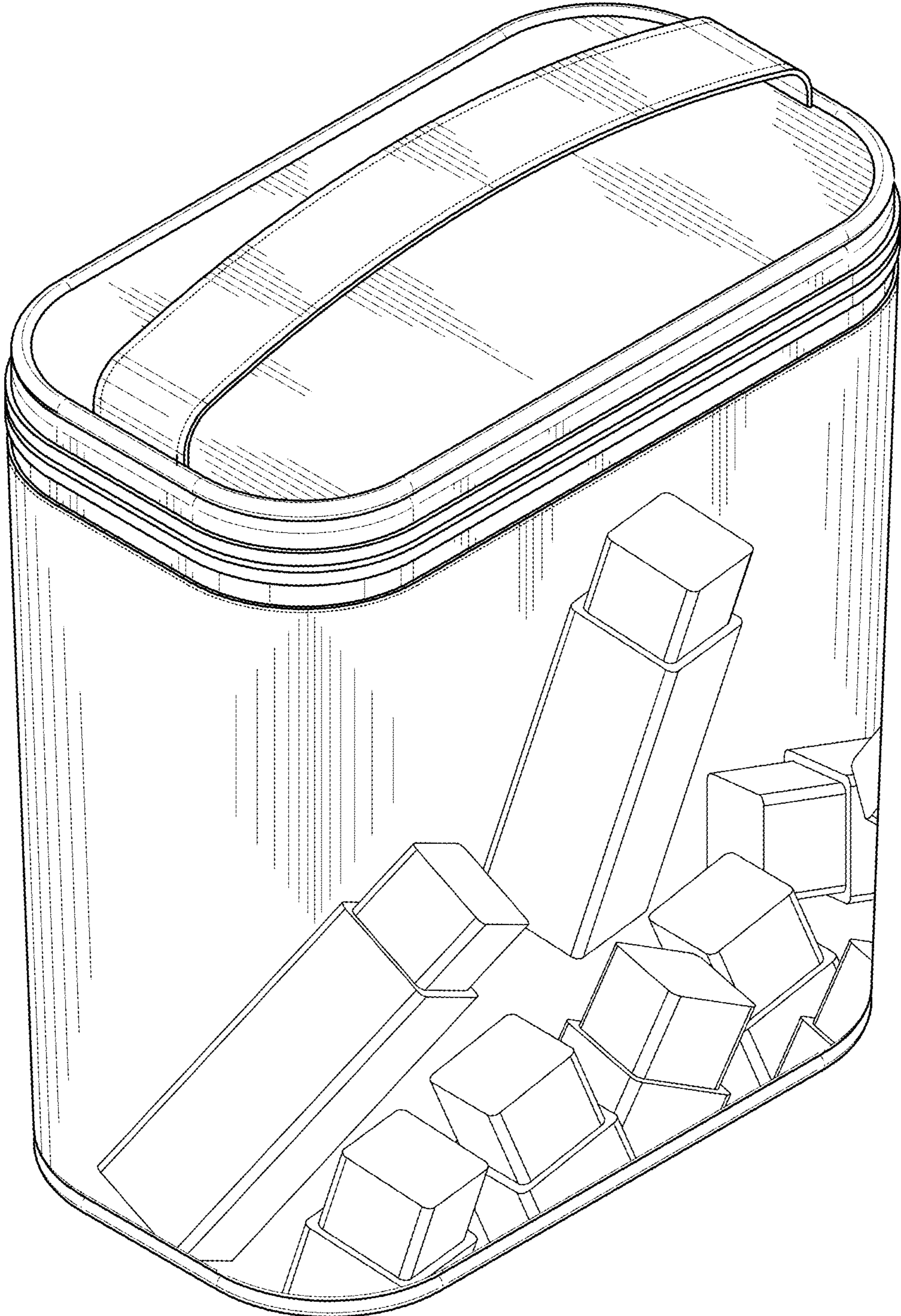


FIG. 1

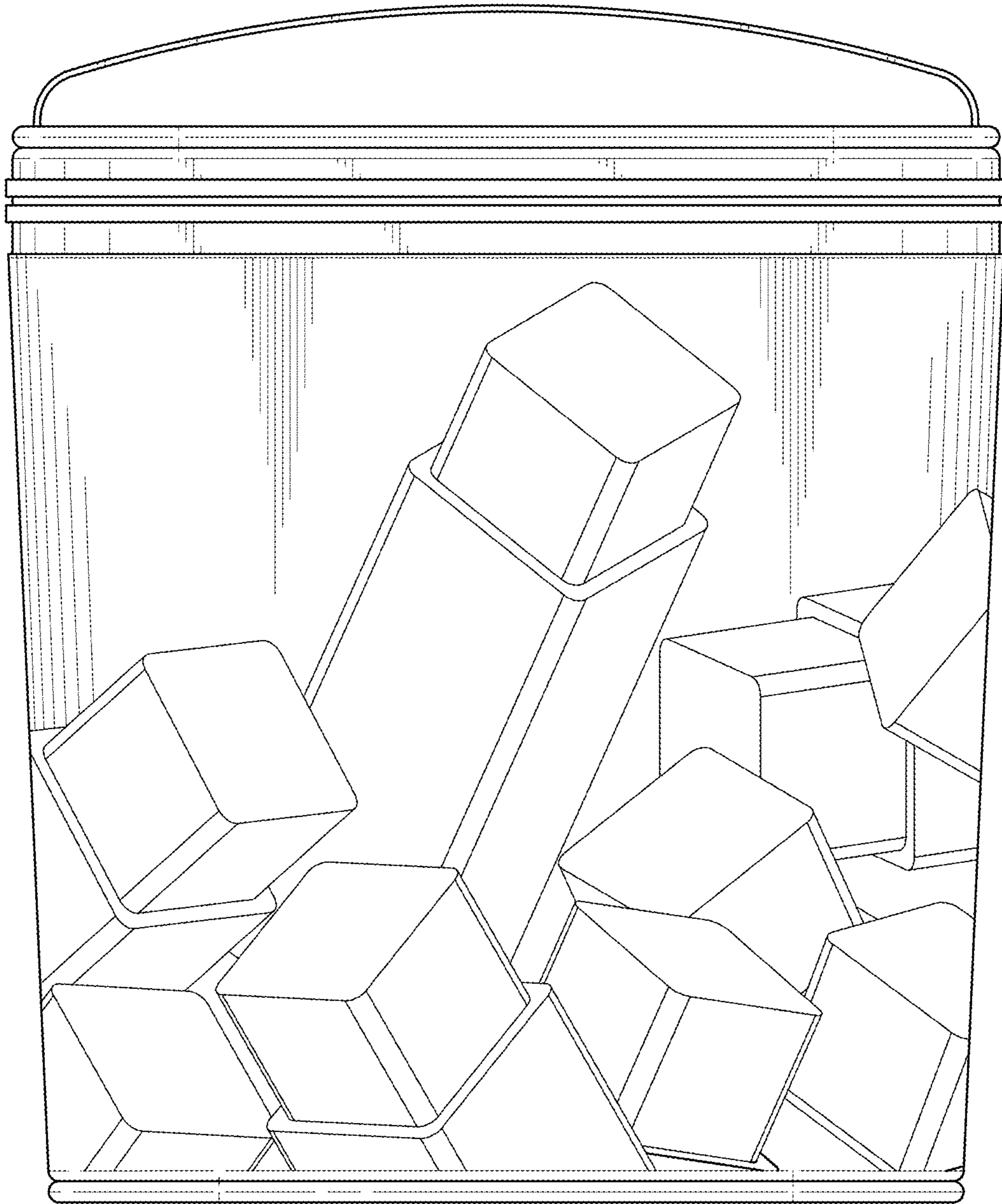


FIG. 2

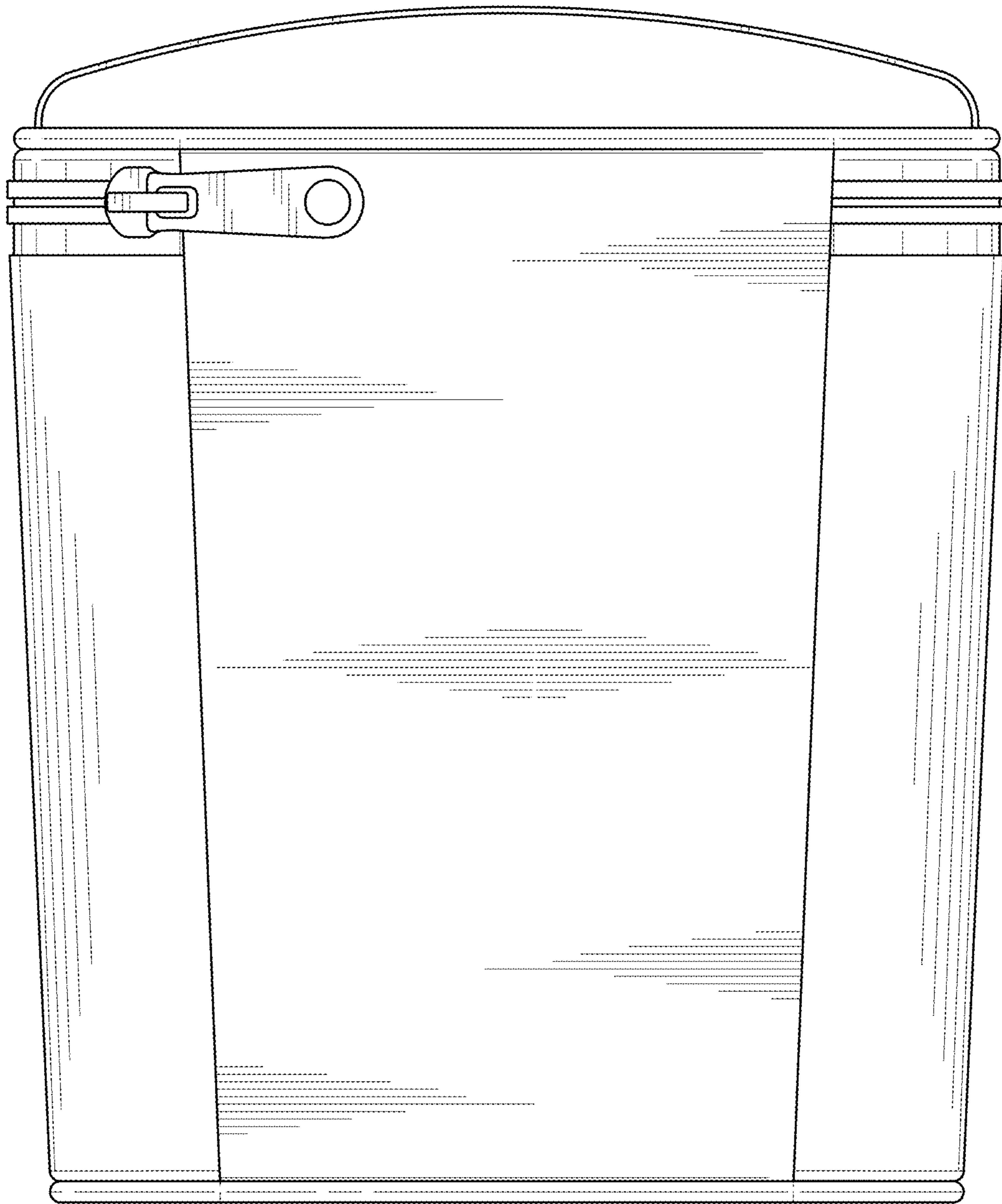


FIG. 3

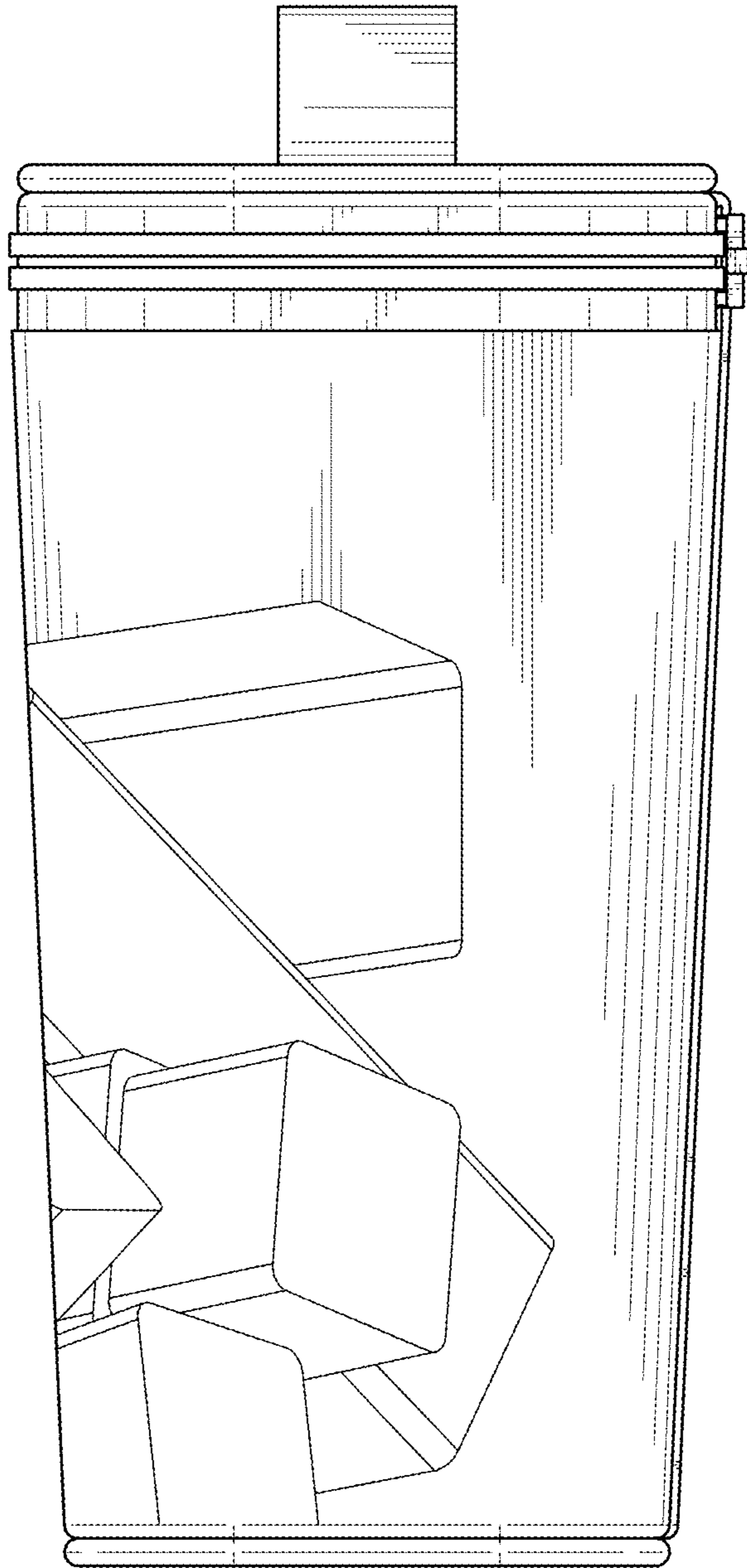


FIG. 4

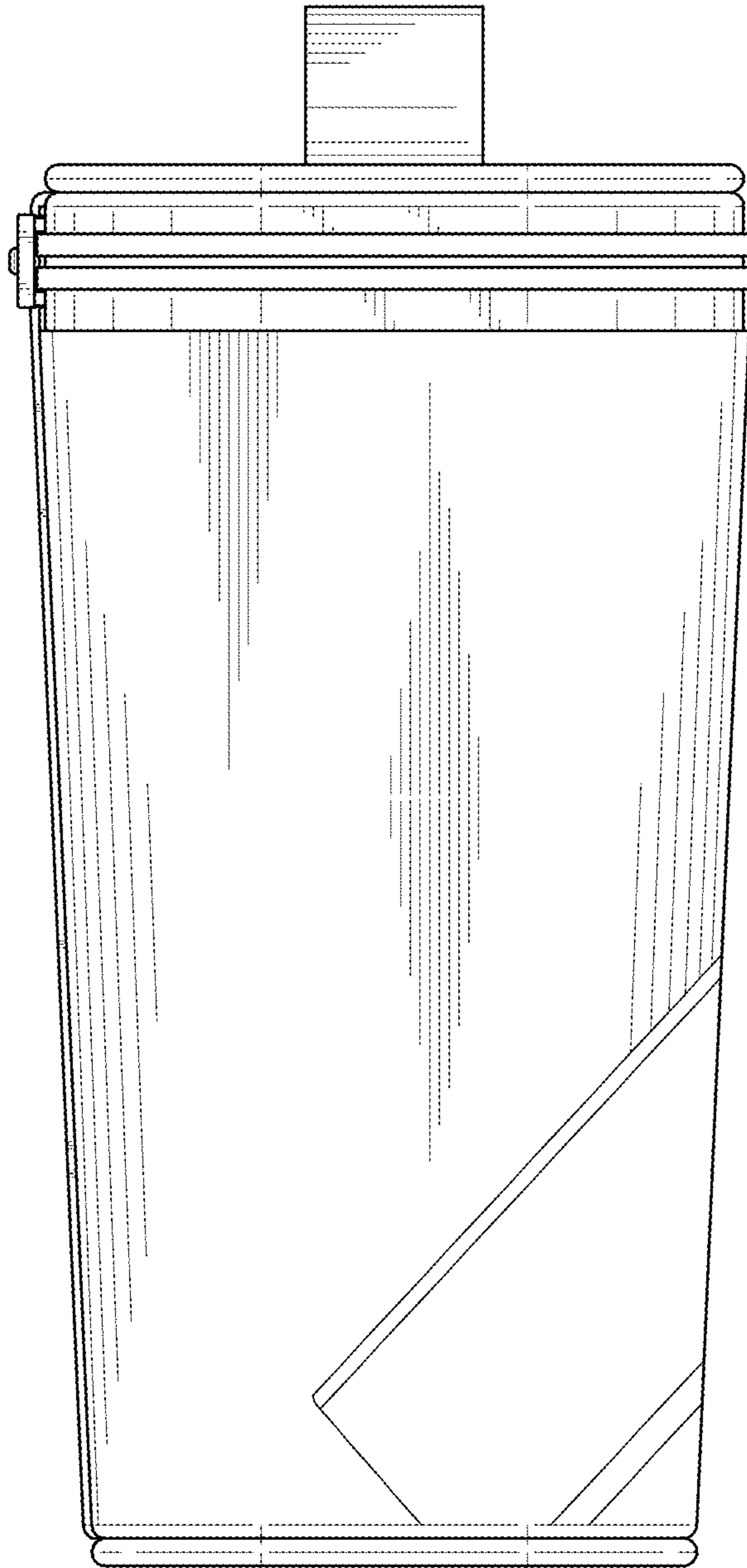


FIG. 5

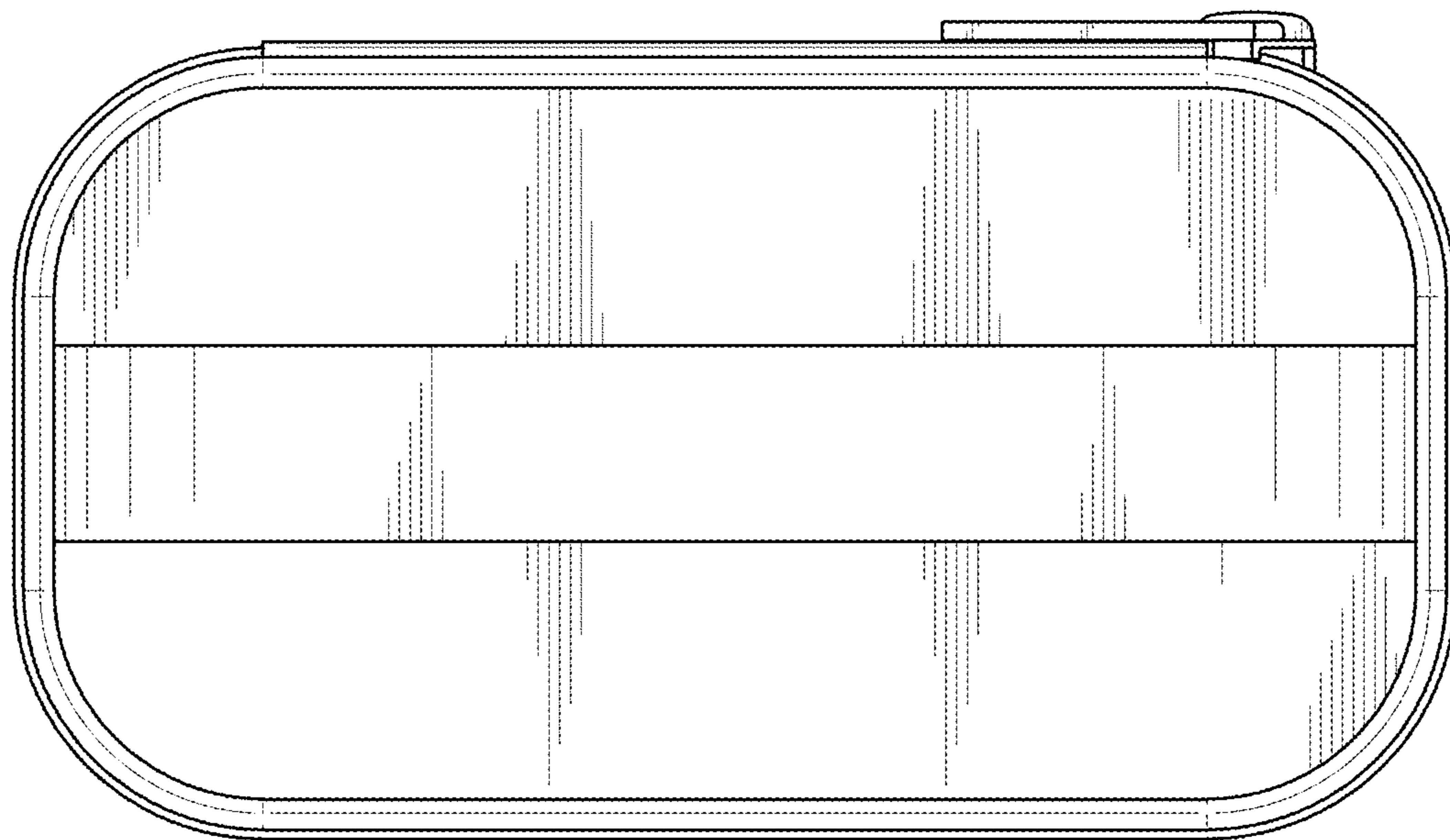


FIG. 6

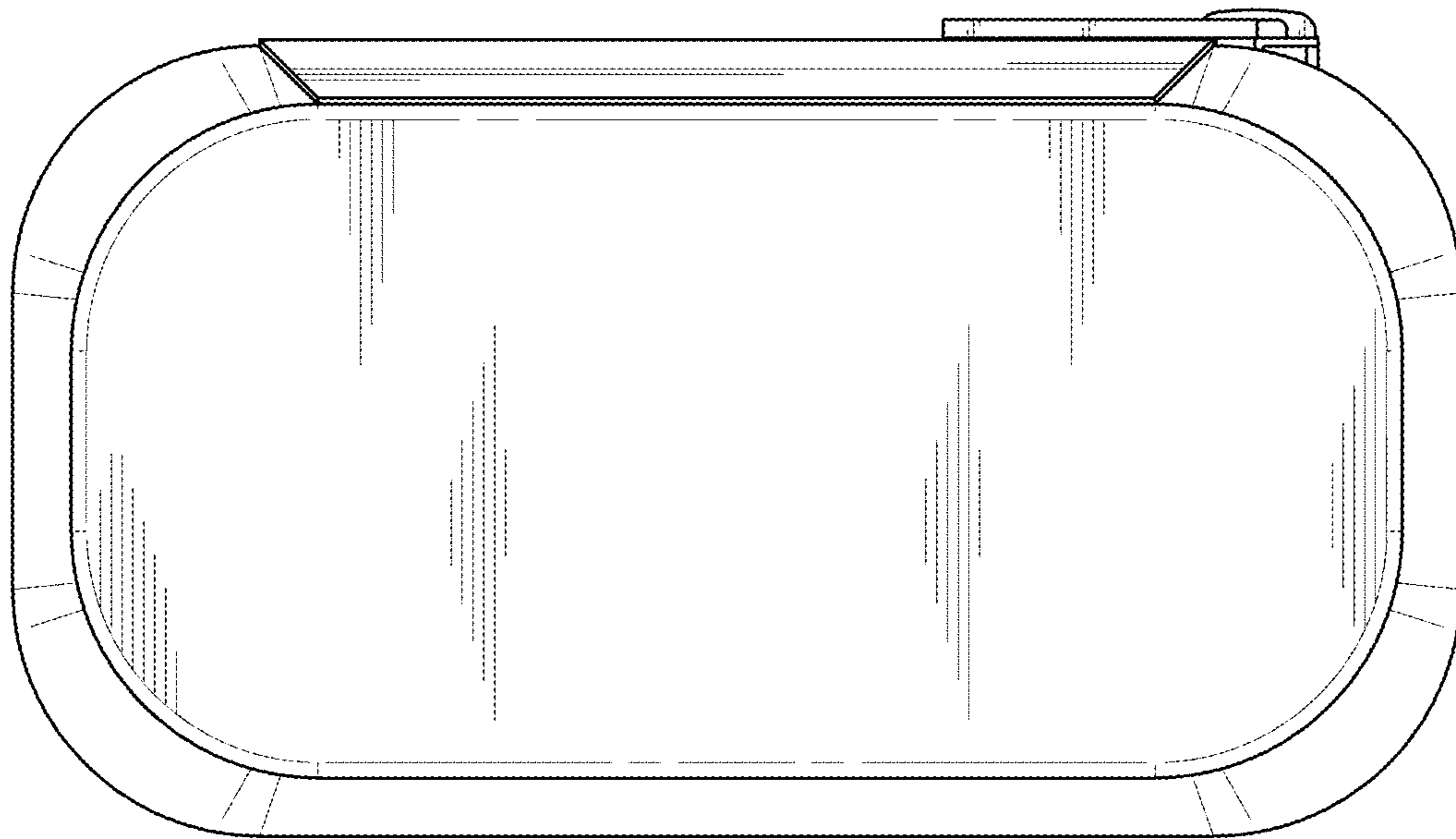


FIG. 7