



US00D912390S

(12) **United States Design Patent** (10) **Patent No.:** **US D912,390 S**
Hyun (45) **Date of Patent:** **** Mar. 9, 2021**

- (54) **CASE FOR EARPHONES**
- (71) Applicant: **SPIGEN KOREA CO., LTD.**, Seoul (KR)
- (72) Inventor: **Young Kwang Hyun**, Seoul (KR)
- (73) Assignee: **SPIGEN KOREA CO., LTD.**, Seoul (KR)
- (**) Term: **15 Years**
- (21) Appl. No.: **29/652,161**
- (22) Filed: **May 27, 2020**

Related U.S. Application Data

- (63) Continuation of application No. 29/719,952, filed on Jan. 18, 2020, now Pat. No. Des. 886,445.
- (51) **LOC (13) Cl.** **03-01**
- (52) **U.S. Cl.**
USPC **D3/201; D3/218; D3/273**
- (58) **Field of Classification Search**
USPC D3/201, 218, 215, 219, 205, 207-212, D3/269, 272-273, 294-295, 301, 303; 206/37-38, 305, 320, 536, 565, 702; 224/219, 222, 267, 269, 182, 666, 64; 455/575.1, 575.8; D9/420, 426, 428
CPC A45F 5/00; A45F 5/02; A45F 5/021; A45F 2200/0516; A45F 2005/008; A45F 2005/006; A45F 2003/142; B65D 25/10; B65D 43/16; B65D 65/04; B65D 2313/04; B65D 2585/6835; B65D 85/00
See application file for complete search history.

- (56) **References Cited**
- U.S. PATENT DOCUMENTS
- D449,931 S * 11/2001 Snider D3/294
- D524,046 S * 7/2006 Pangerc D3/273
- D793,074 S * 8/2017 Tollefsbol D3/201
- D873,019 S * 1/2020 Seibert D3/294

OTHER PUBLICATIONS

KZ ABS Hard-Sided Multifunction Protective Case for Earphones, in-ear Monitors, Eartips (Black), Amazon.com (Year: 2018).*

* cited by examiner

Primary Examiner — Catherine R Oliver-Garcia
(74) *Attorney, Agent, or Firm* — Paul Chung

- (57) **CLAIM**
- The ornamental design of a case for earphones, as shown and described.

DESCRIPTION

FIG. 1 is a front perspective view of the case for earphones showing my new design;
FIG. 2 is a rear perspective view thereof;
FIG. 3 is a front elevational view thereof;
FIG. 4 is a rear elevational view thereof;
FIG. 5 is a left side elevational view thereof;
FIG. 6 is a right side elevational view thereof;
FIG. 7 is a top plan view thereof; and,
FIG. 8 is a bottom plan view thereof.
The broken lines throughout the drawing figures depict portions of the case for earphones that form no part of the claimed design.

1 Claim, 8 Drawing Sheets

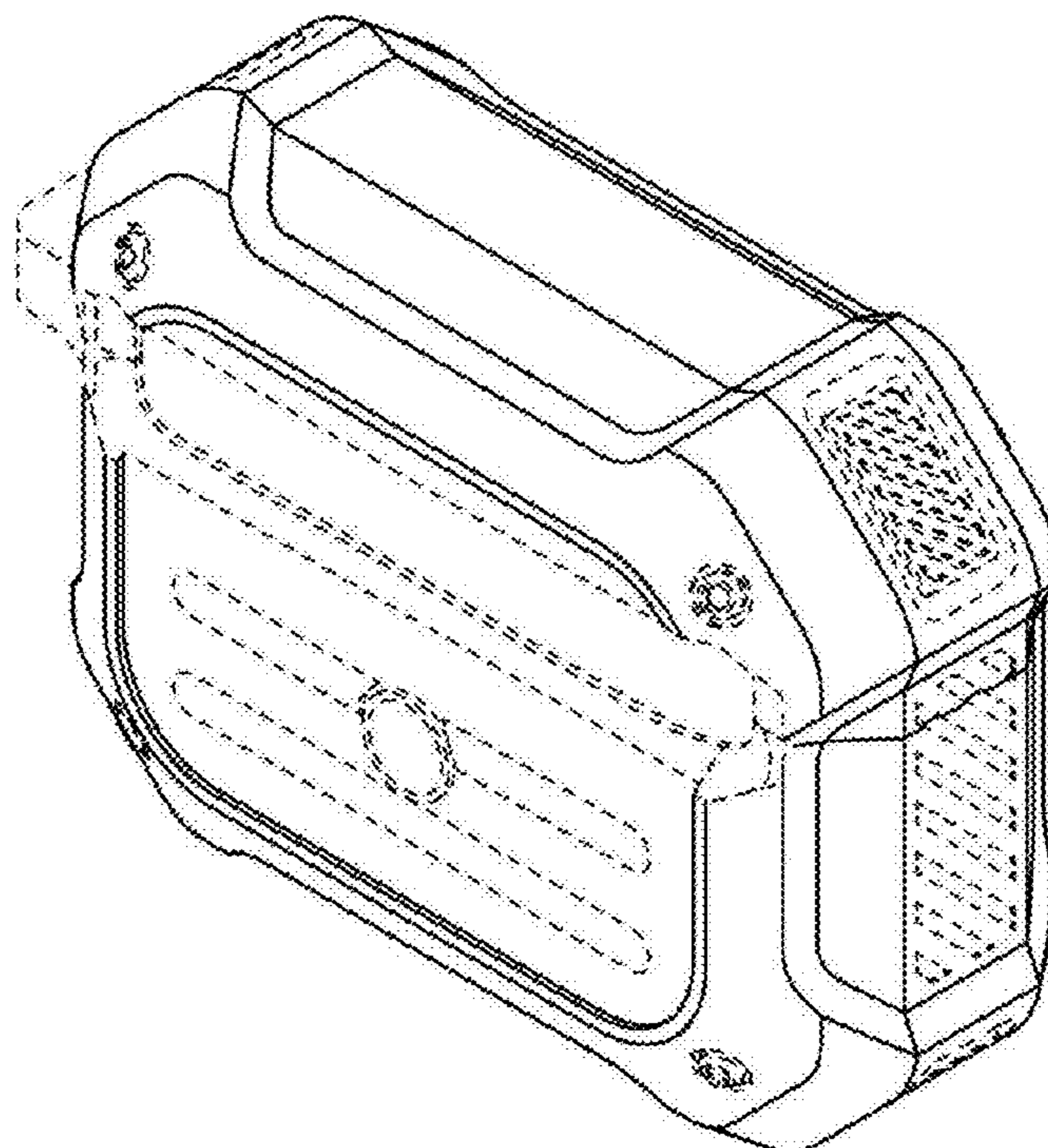


FIG. 1

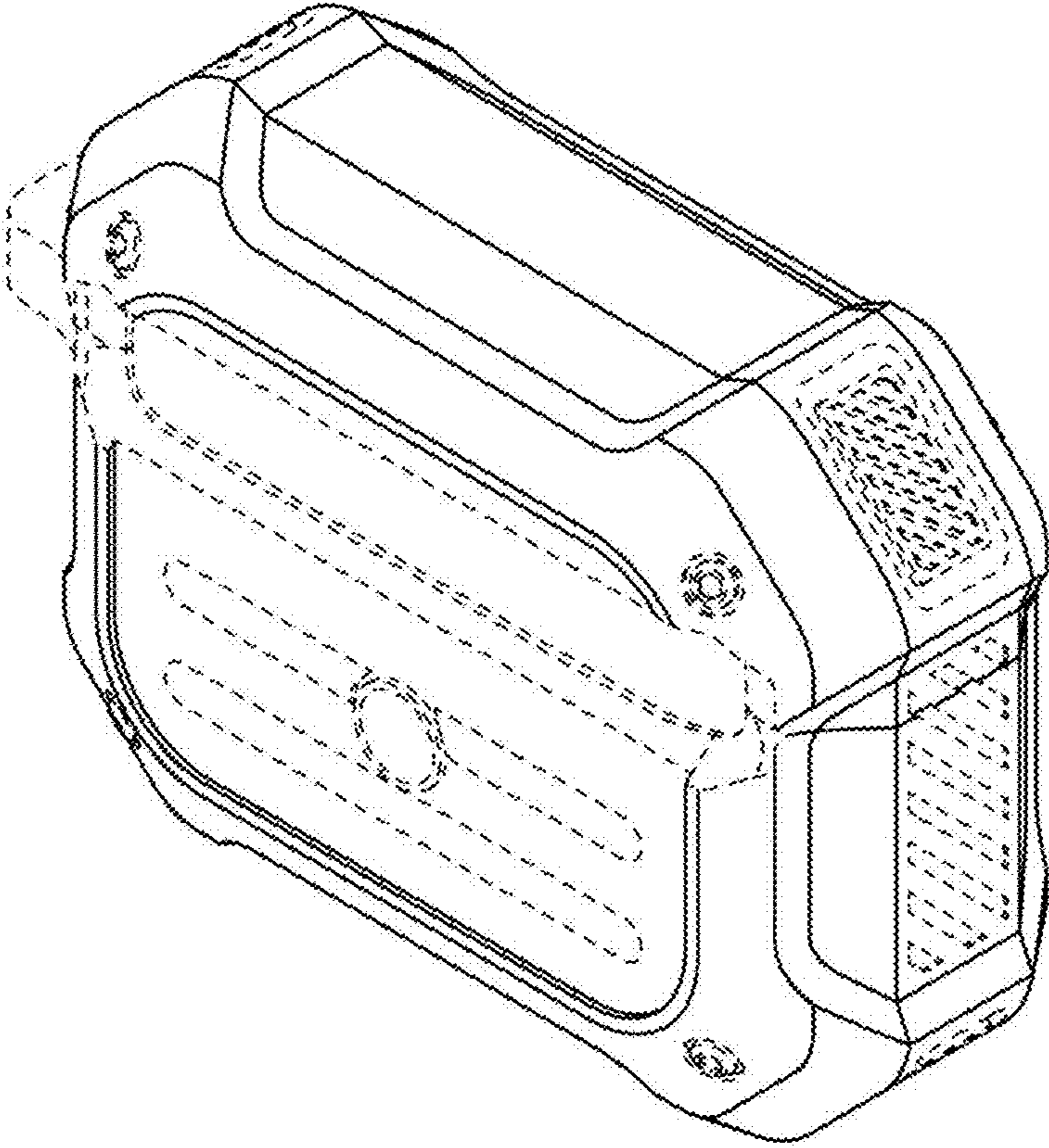


FIG. 2

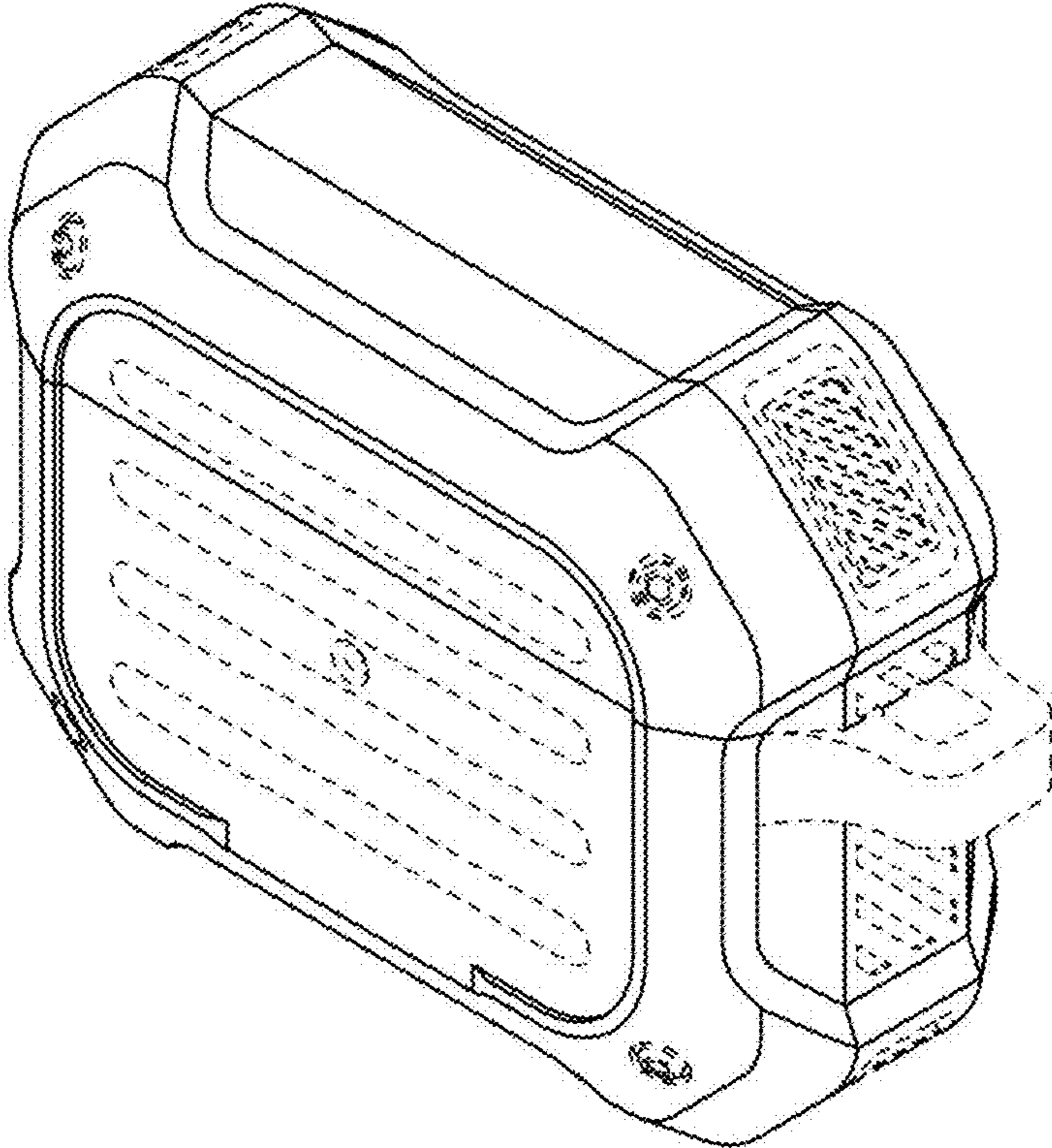


FIG. 3

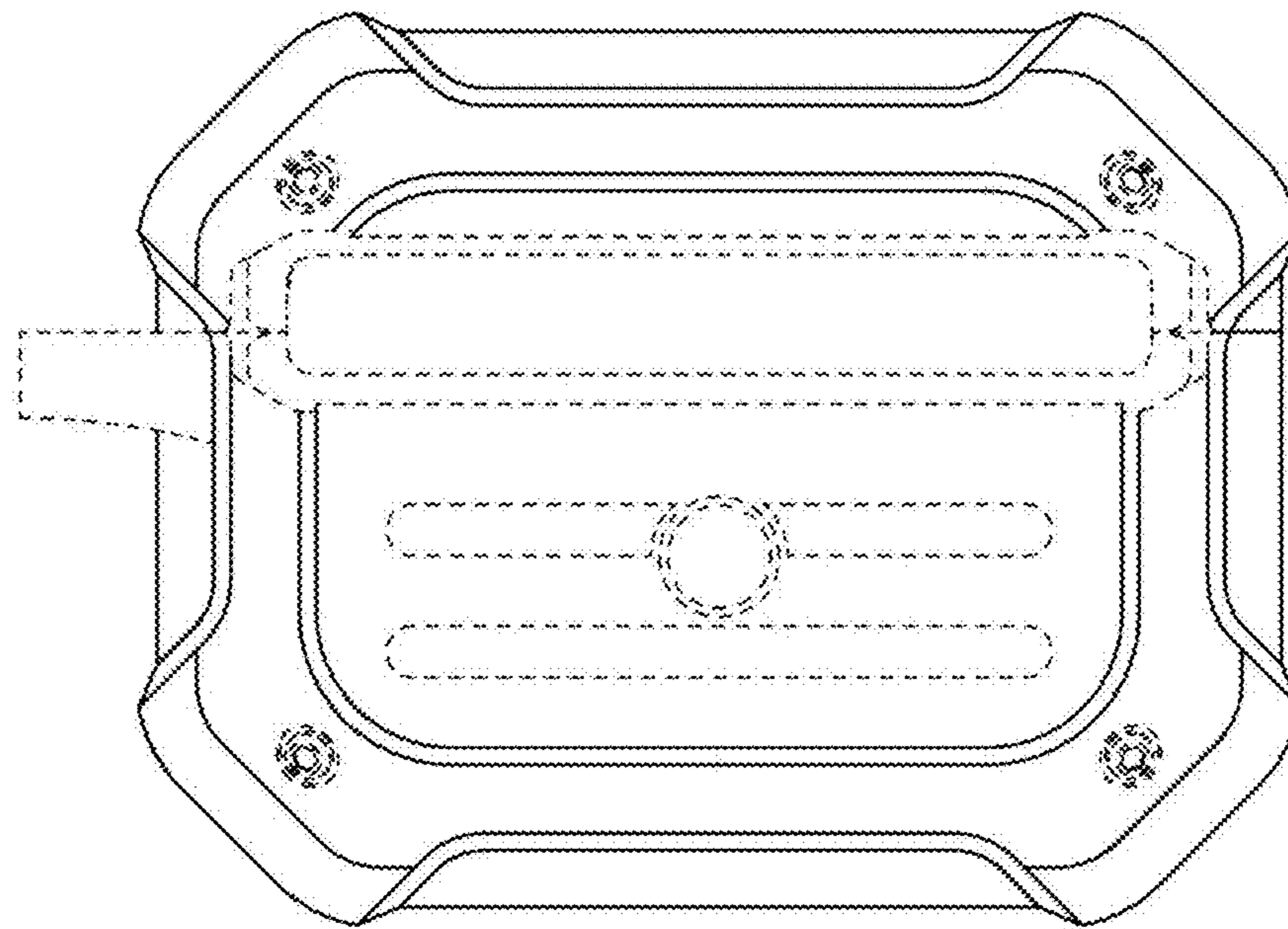


FIG. 4

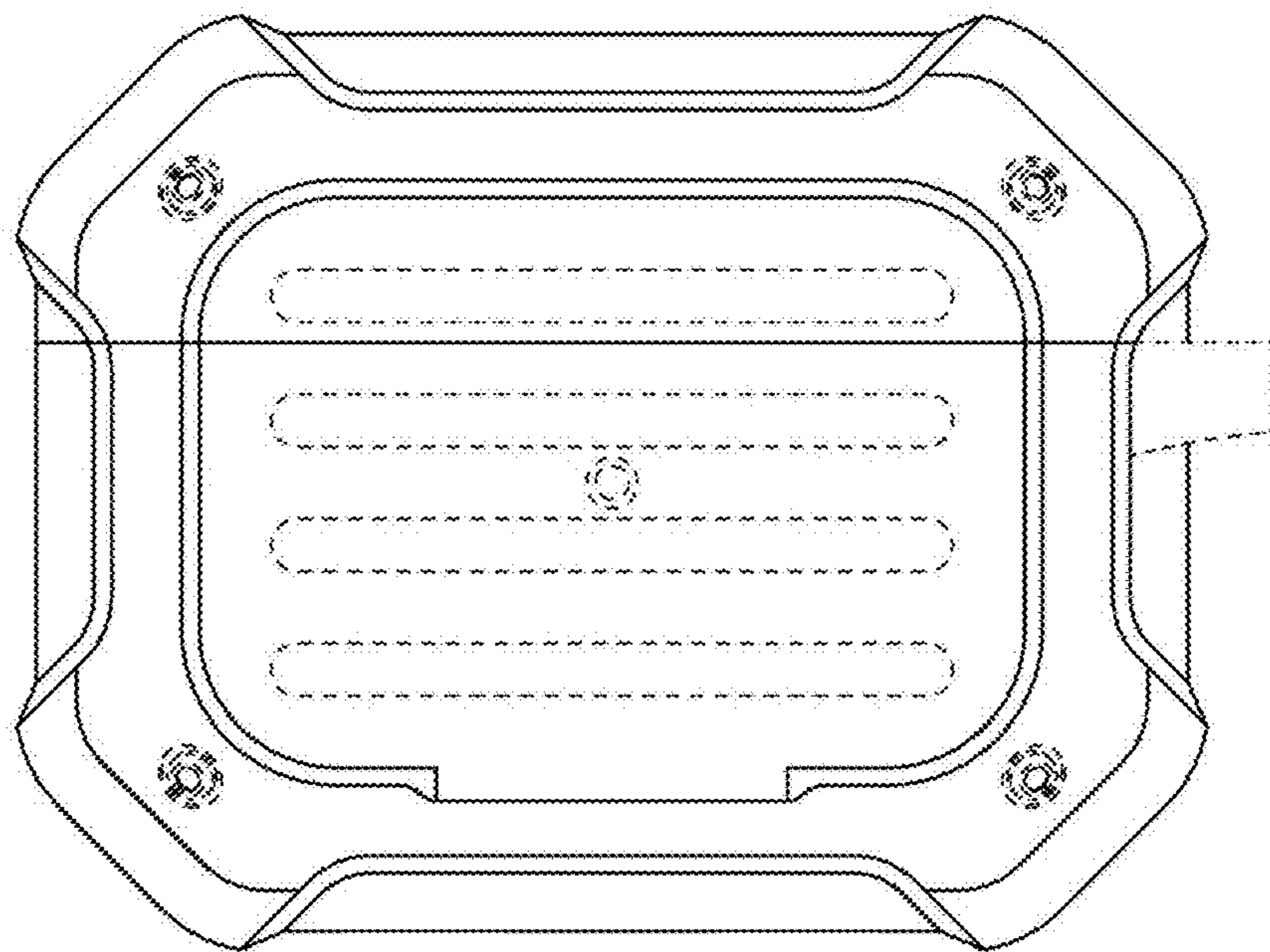


FIG. 5

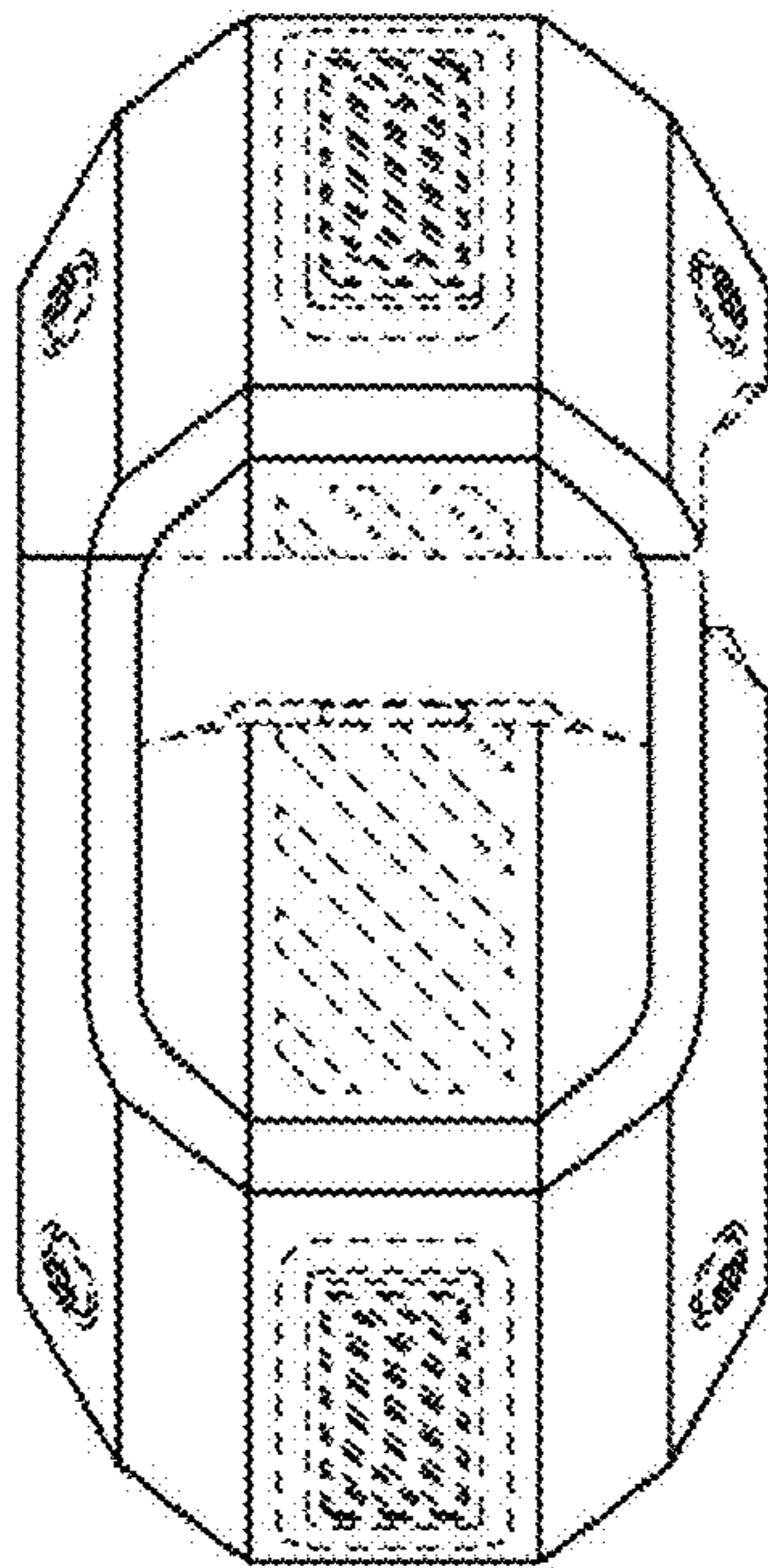


FIG. 6

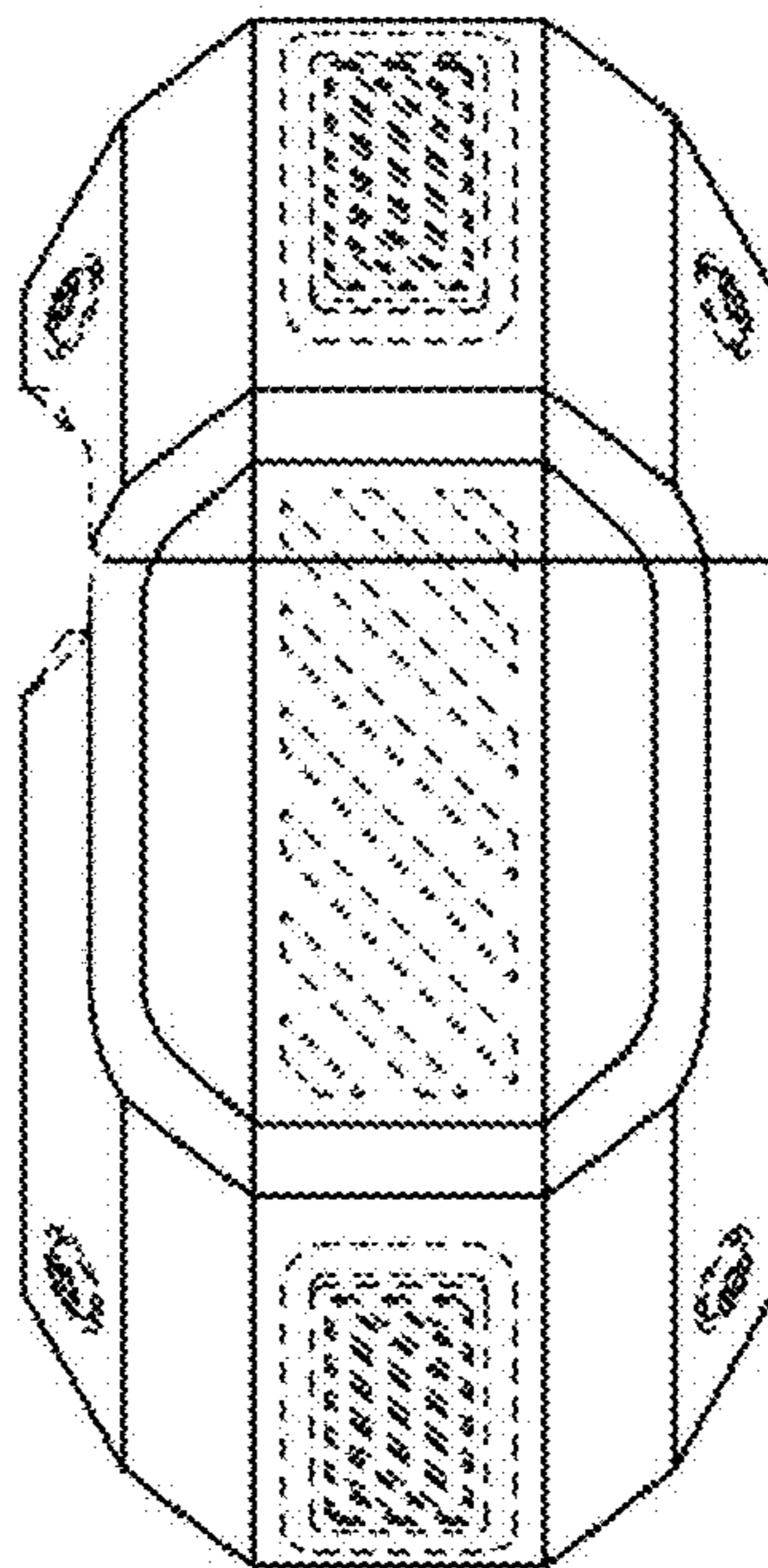


FIG. 7

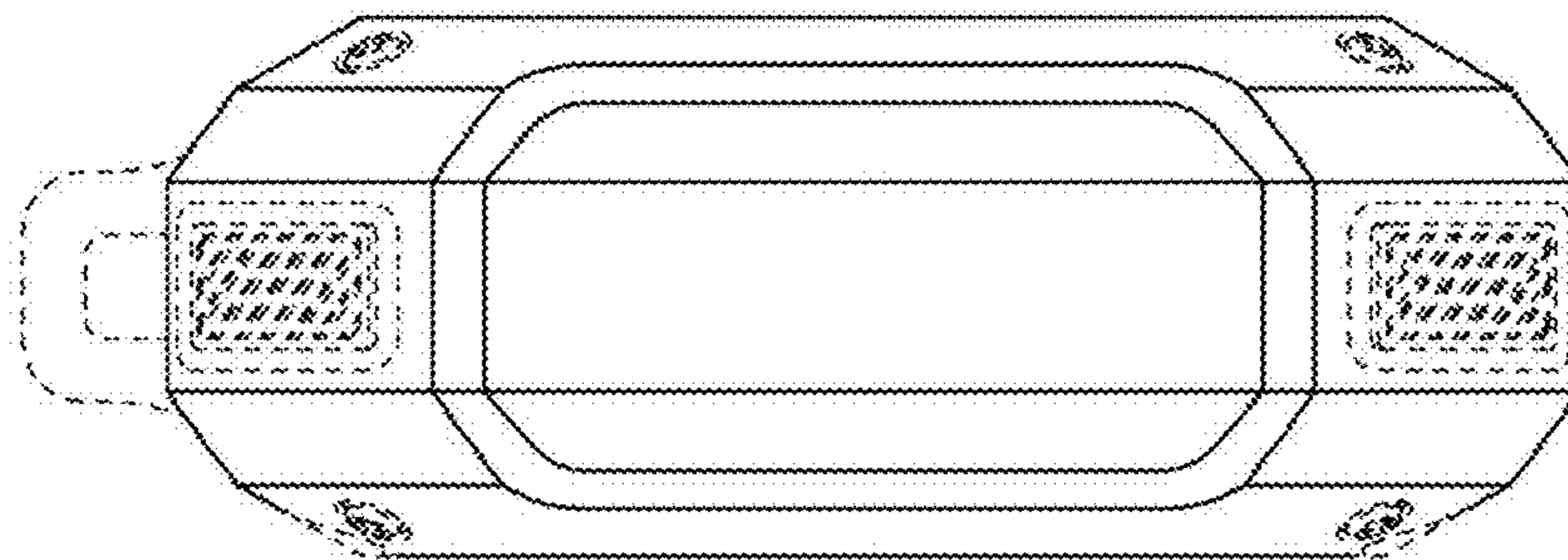


FIG. 8

