



US00D912389S

(12) **United States Design Patent** (10) **Patent No.:** **US D912,389 S**
Park (45) **Date of Patent:** **** Mar. 9, 2021**

(54) **UMBRELLA STAND**

(71) Applicant: **BKNEST**, Seoul (KR)

(72) Inventor: **Tae Shin Park**, Gyeonggi-do (KR)

(73) Assignee: **BKNEST**, Seongdong-gu (KR)

(**) Term: **15 Years**

(21) Appl. No.: **29/705,015**

(22) Filed: **Sep. 9, 2019**

(51) **LOC (13) Cl.** **03-03**

(52) **U.S. Cl.**
USPC **D3/10**

(58) **Field of Classification Search**
USPC D3/10; D6/672, 677, 677.5, 681, 681.1,
D6/681.2, 681.3, 682, 682.1, 683; D34/5,
D34/6
CPC A47G 25/00; A47G 25/12; B65F 1/141;
B65F 1/1415
See application file for complete search history.

(56) **References Cited**

U.S. PATENT DOCUMENTS

- 616,555 A * 12/1898 Paddock et al. A47G 25/12
211/62
- 1,413,432 A * 4/1922 Romer A47G 25/12
211/63
- D137,862 S * 5/1944 Conant et al. D6/677.2
- 2,506,321 A * 5/1950 Vosburgh A47G 23/0225
248/153
- 2,646,955 A * 7/1953 Russell B65F 1/141
248/149
- 3,614,041 A * 10/1971 Koger B65B 67/12
248/97
- D245,391 S * 8/1977 Thorpe D34/6
- D260,475 S * 9/1981 Hall D34/6
- D269,214 S * 5/1983 Martinez, Sr. D34/6
- D272,783 S * 2/1984 Gelles D6/681.3
- 4,700,847 A * 10/1987 Shieh A47G 25/12
206/763

- D294,994 S * 3/1988 Burgett D34/6
- 4,844,399 A * 7/1989 Harm A63B 55/60
248/311.2
- D319,715 S * 9/1991 Omdahl D34/5
- D330,630 S * 11/1992 Loden D3/10
- D332,710 S * 1/1993 Magnusson D6/680.2
- D357,824 S * 5/1995 Chan D6/682
- D361,449 S * 8/1995 Rittenberg D6/566
- D368,811 S * 4/1996 Reese D6/682.1
- D390,379 S * 2/1998 Vairo D6/681.3
- D403,881 S * 1/1999 Lucas D3/10
- D405,292 S * 2/1999 Reese D6/682.1

(Continued)

OTHER PUBLICATIONS

Ponti Umbrella Stand, schonbuch, www.ambientedirect.com, https://www.ambientedirect.com/en/schoenbuch/ponti-umbrella-stand_pid_1311920.html (Year: 2020).*

(Continued)

Primary Examiner — Steven J Czyz

(74) *Attorney, Agent, or Firm* — Lewis Roca Rothgerber Christie LLP

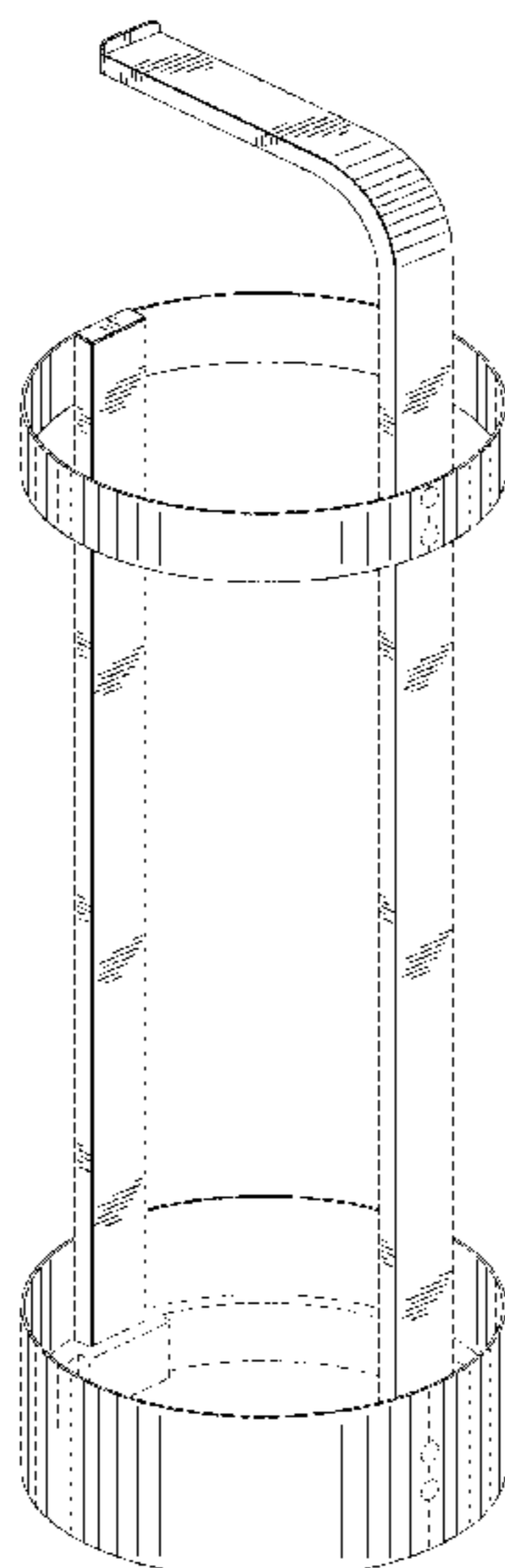
(57) **CLAIM**

The ornamental design for an umbrella stand, as shown and described.

DESCRIPTION

FIG. 1 is a perspective view of the umbrella stand; FIG. 2 is a front view of the umbrella stand, the rear view being a mirror image thereof; FIG. 3 is a left side view of the umbrella stand; FIG. 4 is a right side view of the umbrella stand; FIG. 5 a top view of the umbrella stand; and, FIG. 6 is a bottom view of the umbrella stand. The broken lines in the drawings depict portions of the article that form no part of the claimed design.

1 Claim, 5 Drawing Sheets



(56)

References Cited

U.S. PATENT DOCUMENTS

5,938,049 A * 8/1999 Susholz A45B 25/28
211/62
D422,390 S * 4/2000 Chipman D34/6
D431,735 S * 10/2000 Sullivan D6/515
6,138,965 A * 10/2000 Iorio D05C 1/04
248/148
D436,706 S * 1/2001 Clinton D34/6
D447,885 S * 9/2001 Dowding D6/677.5
6,598,753 B2 * 7/2003 Ming A47G 25/12
211/104
6,655,399 B1 * 12/2003 Williams A45B 25/24
135/34.2
D613,961 S * 4/2010 Lin D6/682.1
D650,543 S * 12/2011 Smart D34/6
D670,102 S * 11/2012 Duncan D6/683
D802,910 S * 11/2017 Chau D3/10
D813,581 S * 3/2018 Denby D6/683
D840,672 S * 2/2019 Nichols D3/10
D841,309 S * 2/2019 Pelletier D3/10
D850,828 S * 6/2019 Tingvall D6/681.1
10,351,338 B1 * 7/2019 Tyle B65F 1/141
D882,201 S * 4/2020 Low D34/6

OTHER PUBLICATIONS

Umbra Hub Umbrella Stand, lowes.com, <https://www.lowes.com/pd/Umbra-Hub-Umbrella-Stand-Black-Walnut/1002751974> (Year: 2020).*

* cited by examiner

FIG. 1

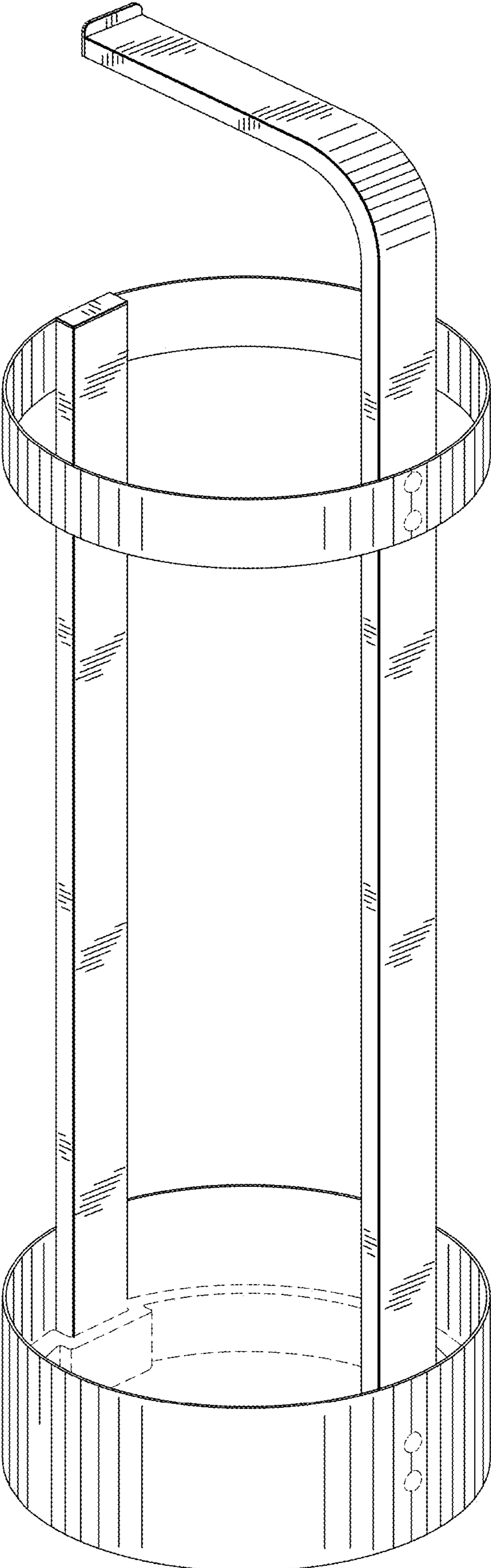


FIG. 2

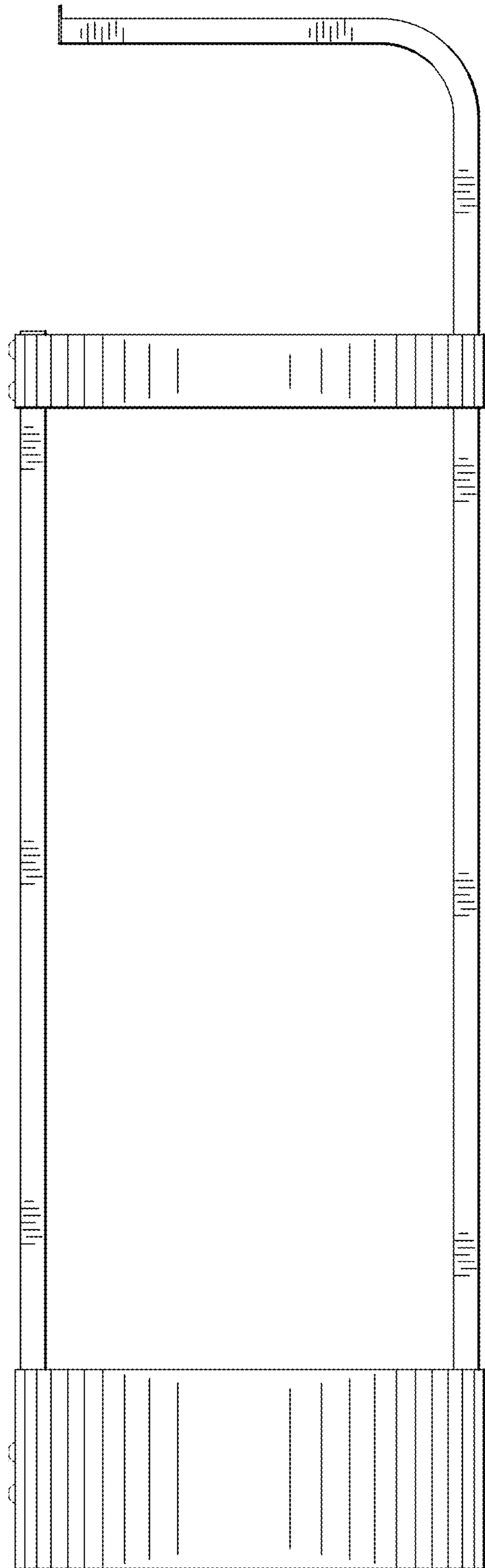


FIG. 3

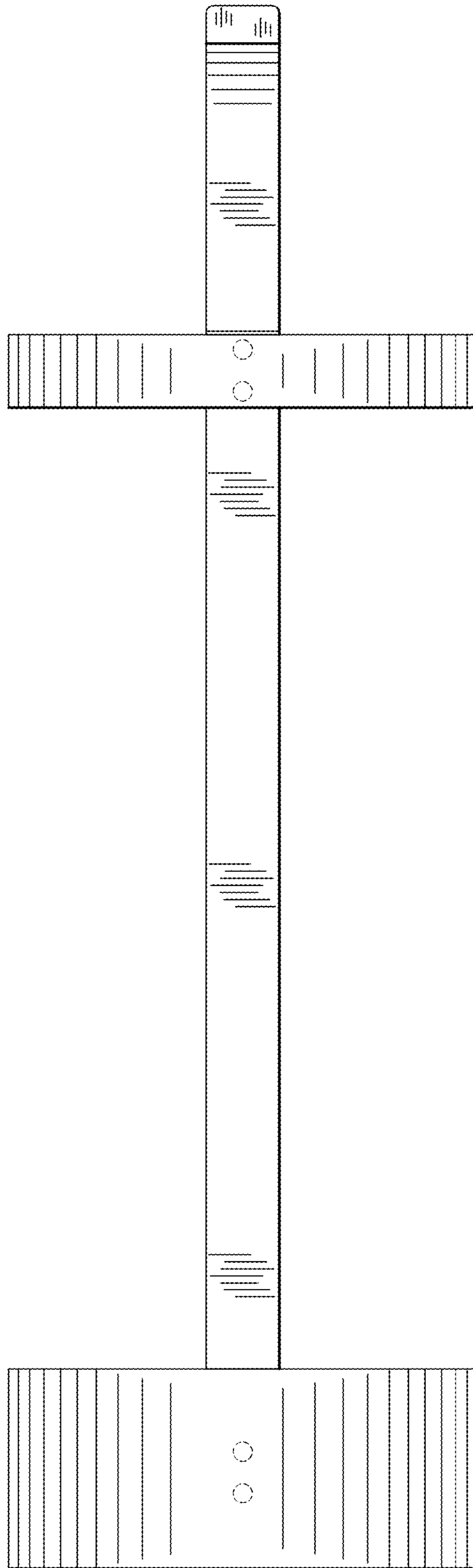


FIG. 4

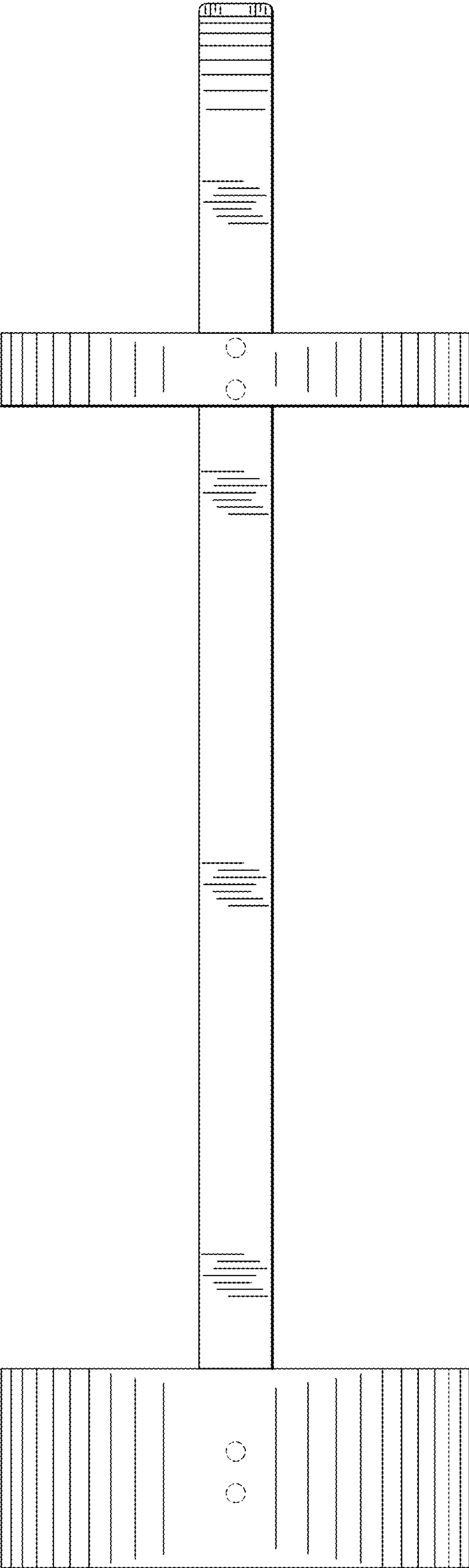


FIG. 5

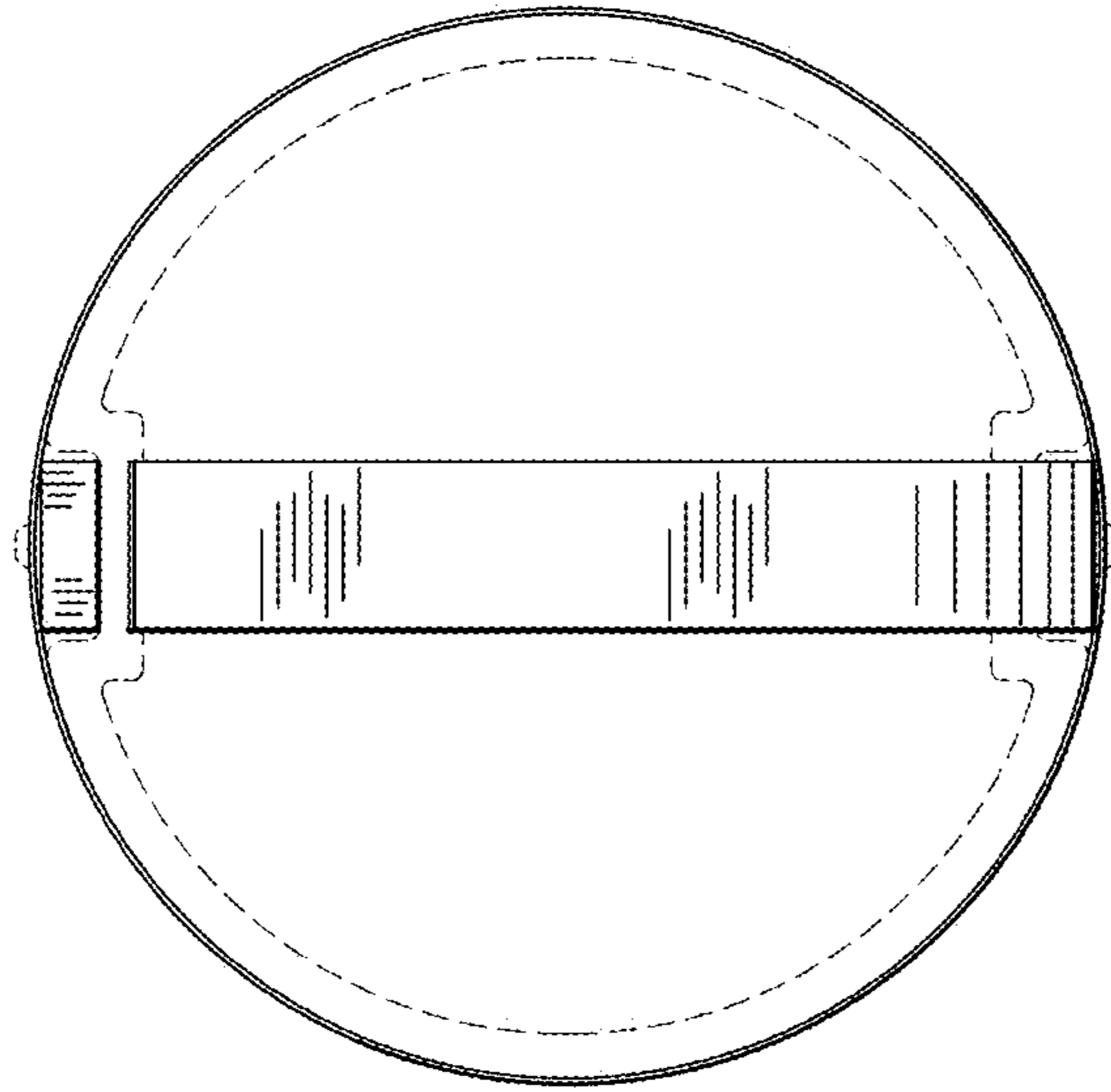


FIG. 6

