



US00D912384S

(12) **United States Design Patent**
Beaver

(10) **Patent No.:** **US D912,384 S**

(45) **Date of Patent:** **** *Mar. 9, 2021**

(54) **SHOE**

(71) Applicant: **Cole Haan LLC**, New York, NY (US)

(72) Inventor: **Bryan Beaver**, Greenland, NH (US)

(73) Assignee: **COLE HAAN LLC**, New York, NY (US)

(*) Notice: This patent is subject to a terminal disclaimer.

(**) Term: **15 Years**

(21) Appl. No.: **29/686,848**

(22) Filed: **Apr. 8, 2019**

(51) **LOC (13) Cl.** **02-04**

(52) **U.S. Cl.**
USPC **D2/960**; D2/947; D2/951

(58) **Field of Classification Search**
USPC D2/902, 906, 908, 916, 918, 925,
D2/946-962, 972, 977; 36/3 B, 22 R,
36/24.5, 25 R, 28, 32 R, 34 R, 59 C,
36/67 A, 103

CPC A43B 13/00; A43B 13/02; A43B 13/023;
A43B 13/026; A43B 13/04; A43B 13/08;
A43B 13/10; A43B 13/12; A43B 13/14;
A43B 13/141; A43B 13/143; A43B
13/16; A43B 13/18; A43B 13/181; A43B
13/187; A43B 13/189; A43B 13/20; A43B
13/22; A43B 13/223; A43B 13/24; A43B
13/28; A43B 13/30; A43B 13/32; A43B
13/34; A43B 13/36

See application file for complete search history.

(56) **References Cited**

U.S. PATENT DOCUMENTS

D273,246 S 4/1984 Tonkel
4,785,557 A * 11/1988 Kelley A43B 13/12
36/30 R

D301,936 S 7/1989 Swett
D368,796 S * 4/1996 Fabio D2/951
D415,610 S 10/1999 Cahill
D429,410 S 8/2000 Wright
D446,636 S 8/2001 McClaskie
D511,610 S 11/2005 Della Valle
D532,585 S 11/2006 McDonald
D565,286 S 4/2008 McClaskie
D611,692 S * 3/2010 Bizzo D2/960

(Continued)

OTHER PUBLICATIONS

Cole Haan Men's Zerogrand Wing Oxford, Amazon.com, Date first listed on Amazon: Sep. 16, 2014, [online], [site visited Sep. 13, 2019]. <URL: <https://www.amazon.com/Cole-Haan-Zerogrand-Wing-Oxford/dp/B00OUVBI06>> (Year: 2014).

(Continued)

Primary Examiner — T Chase Nelson

(74) *Attorney, Agent, or Firm* — Thompson Coburn LLP

(57) **CLAIM**

The ornamental design for a shoe, as shown and described.

DESCRIPTION

FIG. 1 is a first perspective view of a shoe showing my new design;

FIG. 2 is a second perspective view thereof;

FIG. 3 is a front view thereof;

FIG. 4 is a rear view thereof;

FIG. 5 is a left side view thereof;

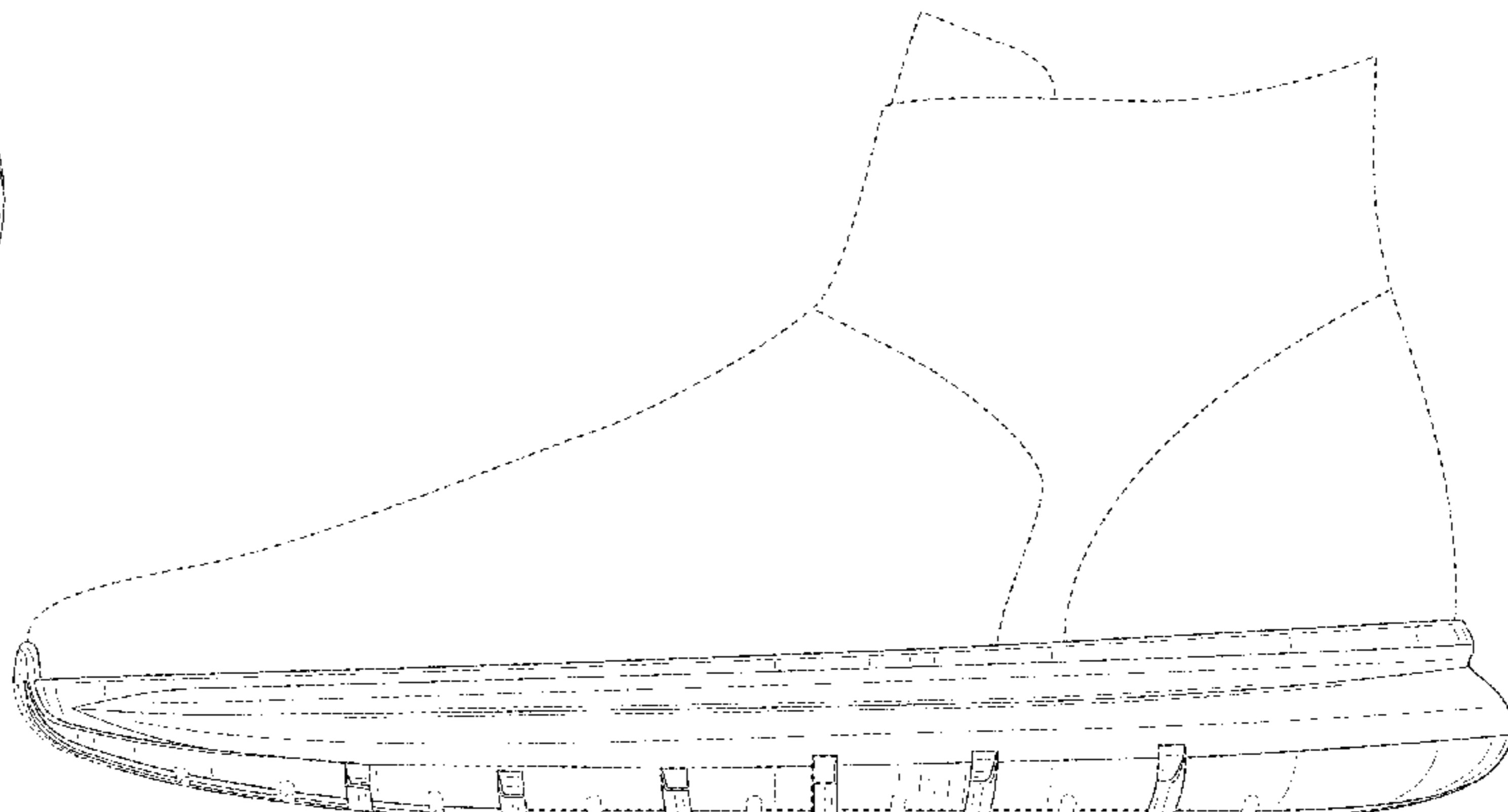
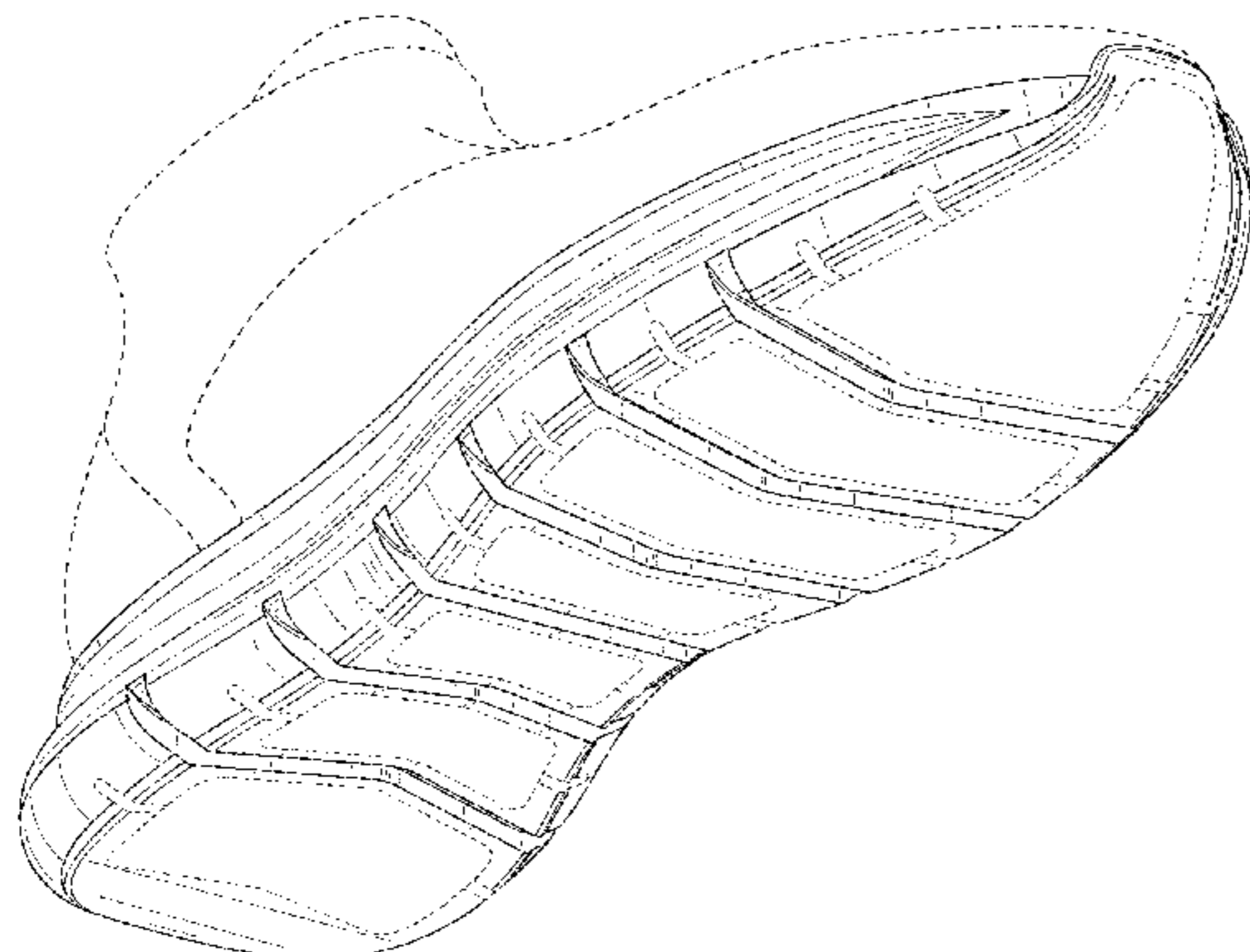
FIG. 6 is a right side view thereof;

FIG. 7 is a top view thereof; and,

FIG. 8 is a bottom view thereof.

The broken lines immediately adjacent the shaded areas represent the bounds of the claimed design while all other broken lines are directed to environment and are for illustrative purposes only; the broken lines form no part of the claimed design.

1 Claim, 8 Drawing Sheets



(56)

References Cited

U.S. PATENT DOCUMENTS

D616,640 S * 6/2010 Werman D2/959
 D639,540 S 6/2011 Raysse
 D643,197 S 8/2011 Teteriatnikov
 D661,477 S 6/2012 Kubis et al.
 D662,292 S 6/2012 Meynard
 D671,305 S 11/2012 Escobar
 D671,306 S 11/2012 Tzenos
 D690,090 S * 9/2013 Chang D2/960
 D717,527 S * 11/2014 Truelsen D2/951
 D730,035 S 5/2015 Henderson
 D747,859 S * 1/2016 Henderson D2/947
 D747,860 S 1/2016 de Costa Pereira Machado
 D748,386 S 2/2016 Henderson et al.
 D753,381 S * 4/2016 Ostapenko A43B 13/125
 D2/960
 D756,620 S * 5/2016 Boys A43B 5/10
 D2/960
 D768,367 S * 10/2016 Henderson D2/947
 D800,433 S 10/2017 Kuerbis
 D802,899 S 11/2017 Bischoff et al.
 D804,159 S 12/2017 Allemann et al.
 D806,995 S 1/2018 Tæstensen et al.
 D809,758 S 2/2018 Tæstensen et al.
 D813,509 S * 3/2018 O'Connor A43B 13/125
 D2/953
 D816,308 S * 5/2018 Boys A43B 13/02
 D2/945
 D817,609 S * 5/2018 Boys D2/945
 D822,966 S 7/2018 Thompson et al.
 D840,653 S 2/2019 Carmi et al.
 D843,098 S 3/2019 Natowich McPhee et al.
 D845,595 S 4/2019 Swegle et al.
 D845,598 S 4/2019 Loveder et al.
 D845,600 S 4/2019 Evans
 10,327,511 B2 * 6/2019 Boys A43B 1/0081

D852,485 S 7/2019 Gress et al.
 D876,782 S * 3/2020 Fontaine A43B 13/181
 D2/960
 D878,014 S * 3/2020 Chen D2/919
 D880,819 S * 4/2020 Verfl D2/908
 D889,085 S * 7/2020 Verfl D2/947
 D889,092 S * 7/2020 Verfl D2/954
 D889,093 S * 7/2020 Verfl D2/954
 D889,798 S * 7/2020 Vella D2/960
 2002/0054970 A1 * 5/2002 Umezawa A43B 13/02
 428/36.8
 2005/0217140 A1 * 10/2005 Melis A43B 13/203
 36/3 B
 2007/0113426 A1 * 5/2007 Abadjian A43B 13/125
 36/29
 2010/0031533 A1 * 2/2010 Keenan A43B 21/28
 36/100
 2010/0287792 A1 * 11/2010 Hide A43B 5/10
 36/114
 2015/0101215 A1 * 4/2015 Henderson A43B 3/0057
 36/103
 2016/0227878 A1 8/2016 Lan
 2018/0289105 A1 * 10/2018 Hatfield A43B 13/125
 2019/0125031 A1 * 5/2019 Schoenborn A43B 13/186
 2020/0170339 A1 * 6/2020 Verfl A43B 13/181

OTHER PUBLICATIONS

Generation ZEROGRAND, ColeHaan.com, [online], [site visited Sep. 13, 2019]. <URL: <https://www.colehaan.com/generation-zerogrand-optic-white-stitchlite/C30533.html>> (Year: 2019).
 ZEROGRAND Wingtip Oxford, ColeHaan.com, [online], [site visited Sep. 13, 2019]. <URL: <https://www.colehaan.com/generation-zerogrand-wingtip-oxford-burnished-wine-leather/C30279.html>> (Year: 2019).

* cited by examiner

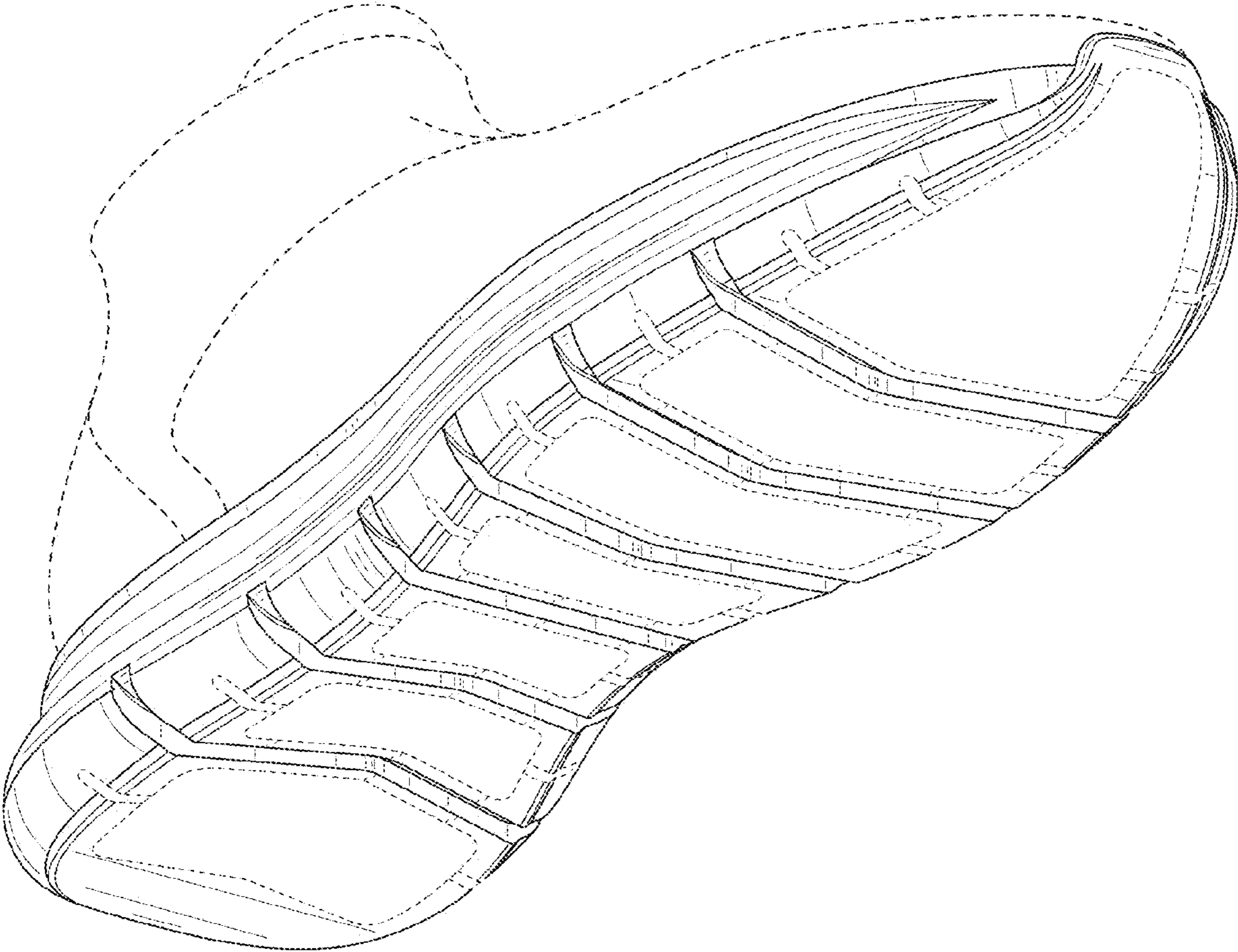


FIG. 1

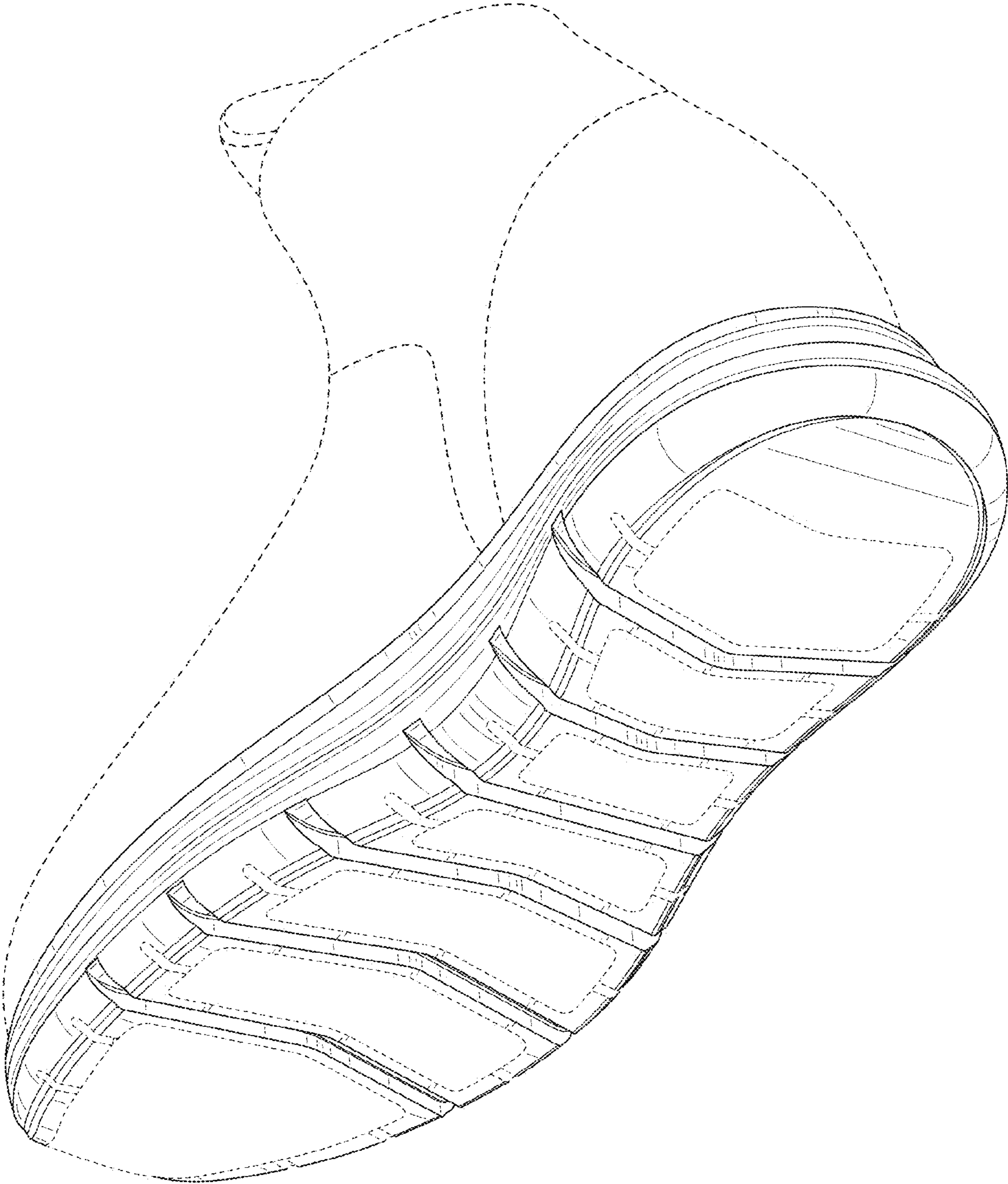


FIG. 2

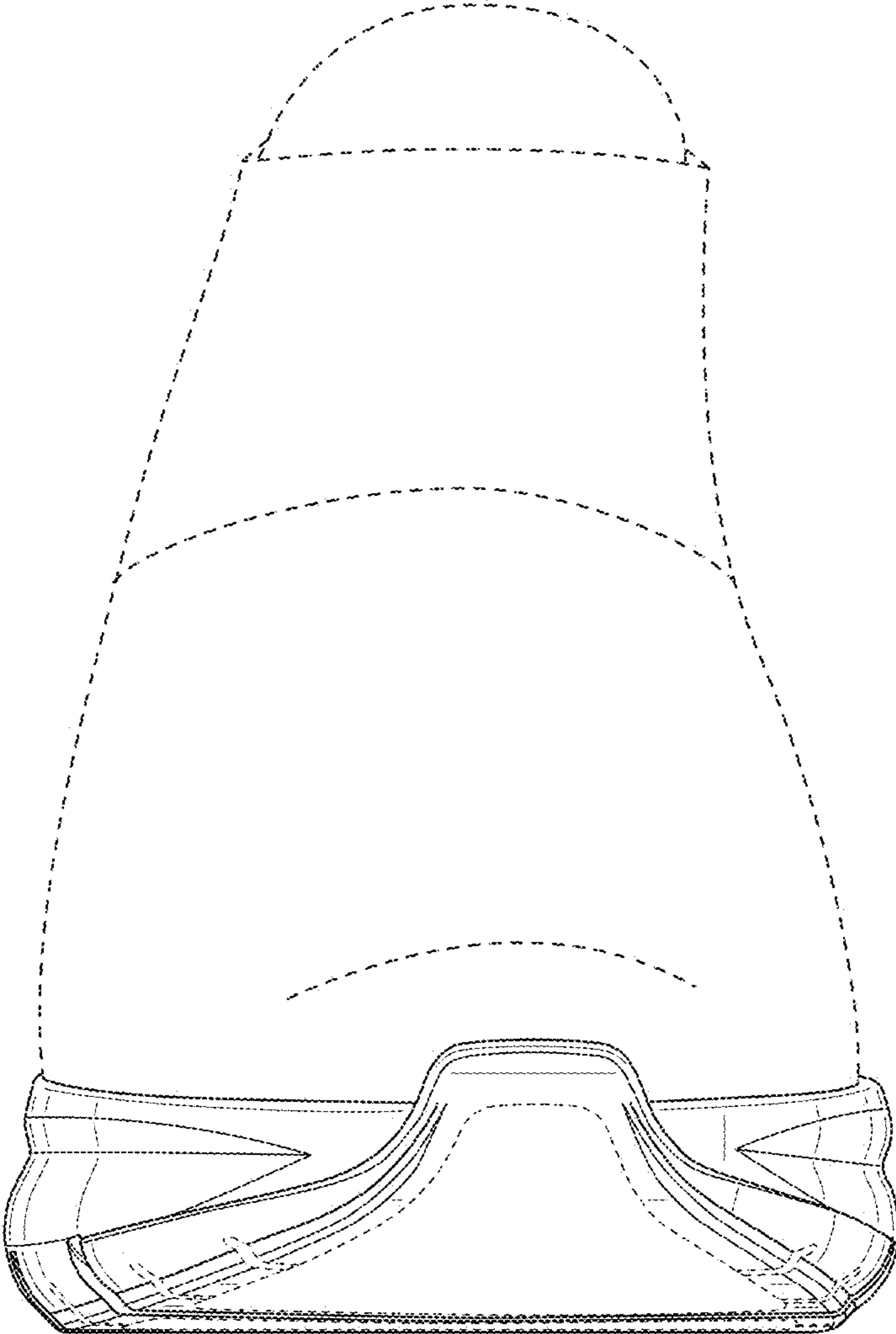


FIG. 3

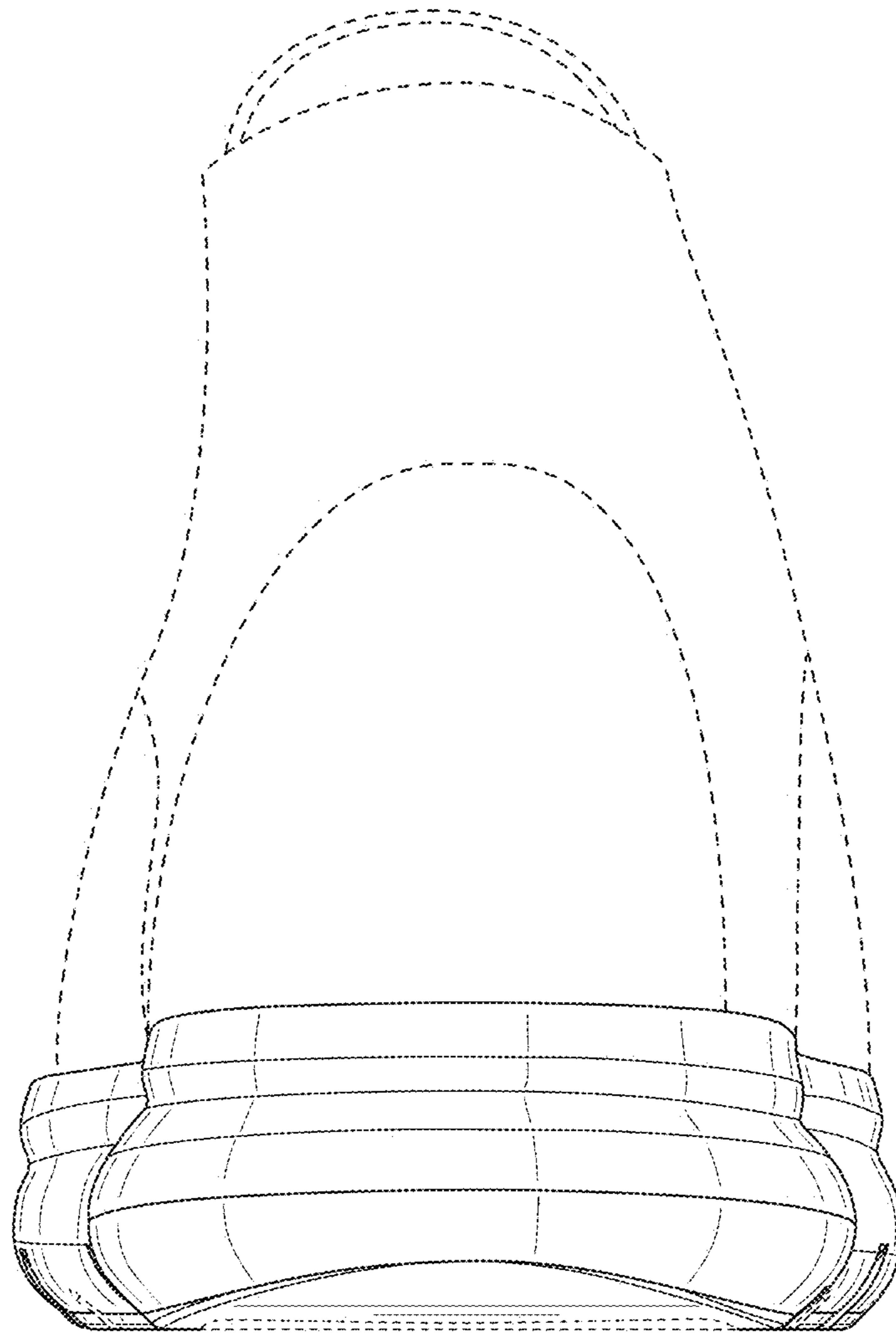


FIG. 4

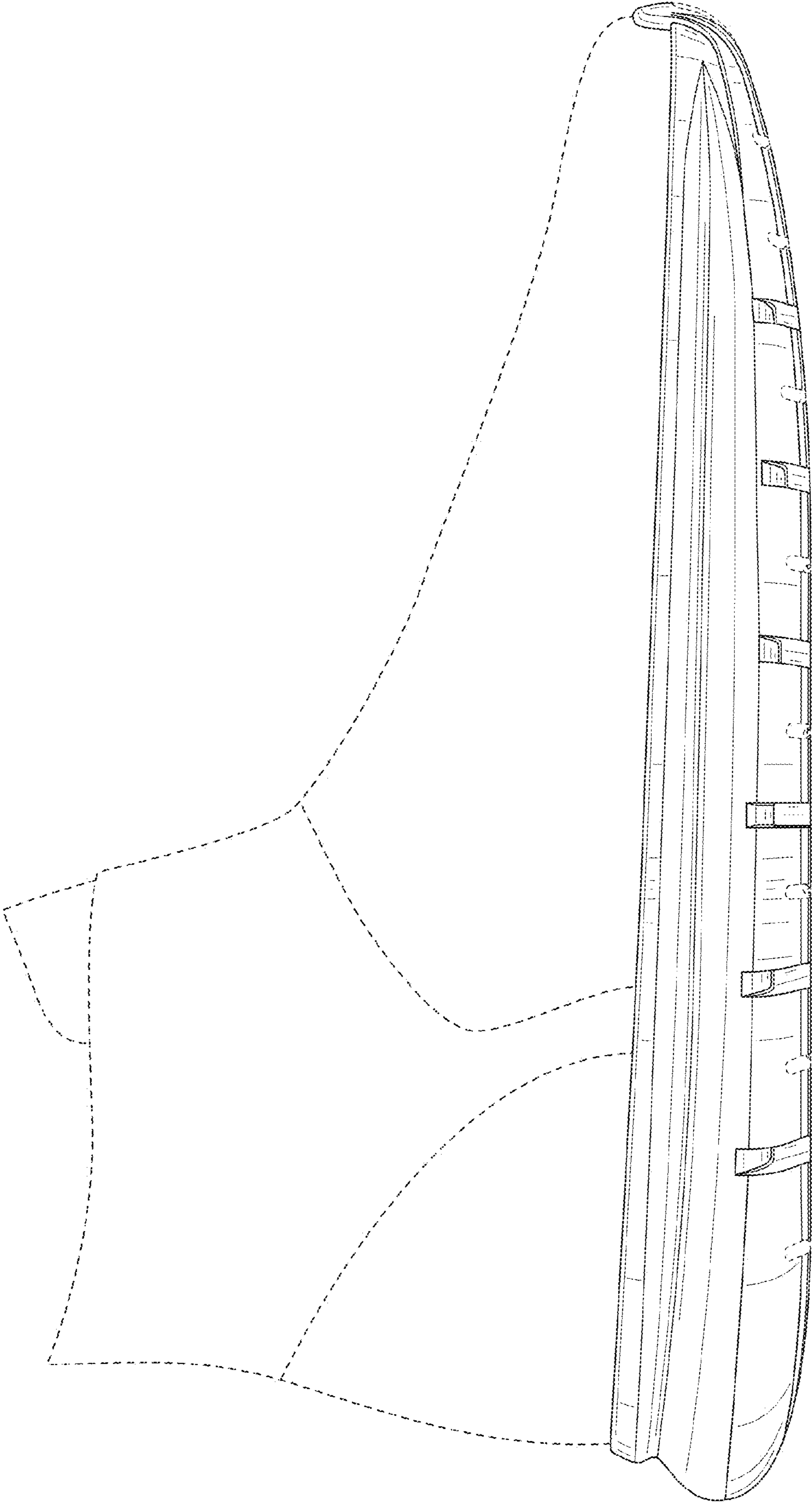


FIG. 5



FIG. 6

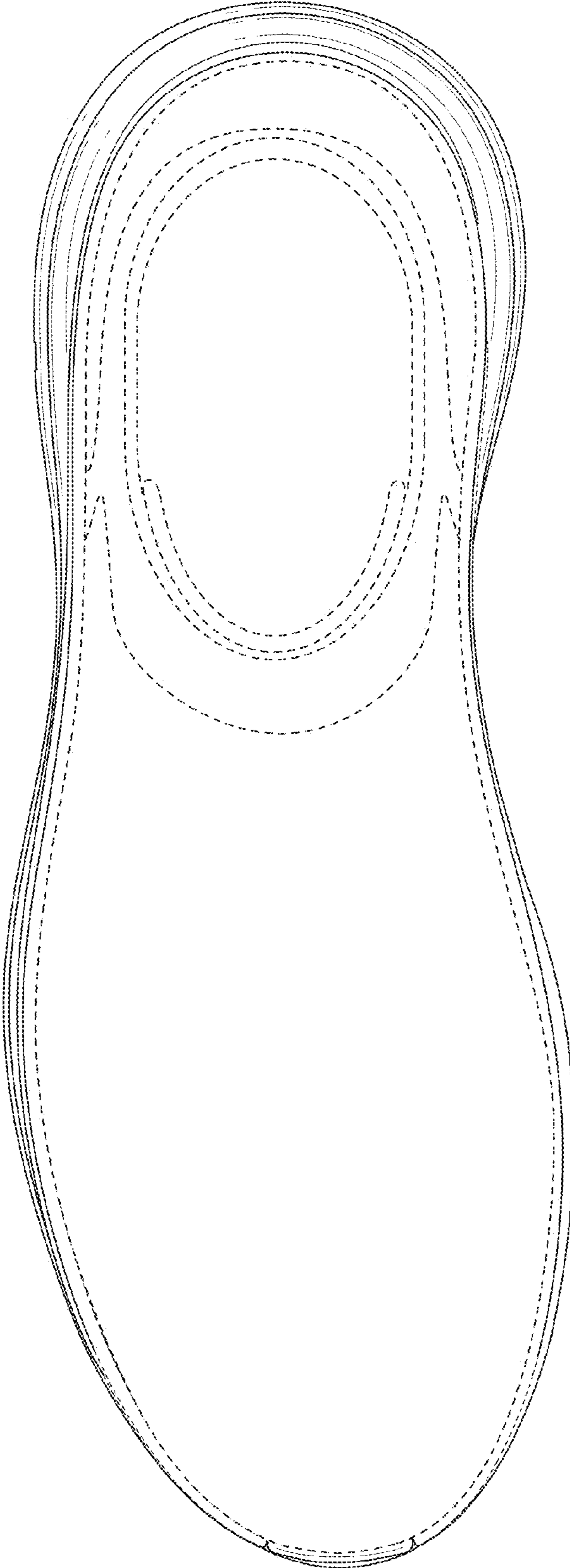


FIG. 7

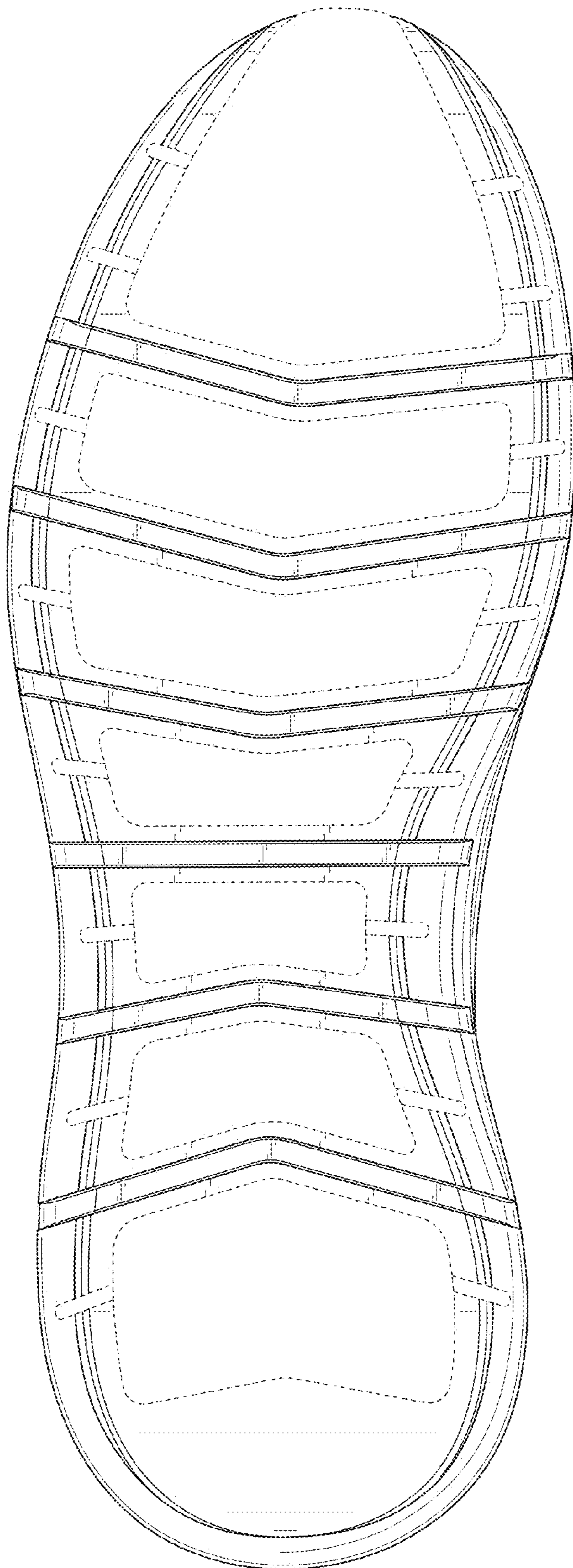


FIG. 8