



US00D912375S

(12) **United States Design Patent** (10) **Patent No.:** **US D912,375 S**
Ransan (45) **Date of Patent:** **** Mar. 9, 2021**

(54) **FOOTWEAR COMPONENT**
(71) Applicant: **Lisias Ransan**, Boca Raton, FL (US)
(72) Inventor: **Lisias Ransan**, Boca Raton, FL (US)
(**) Term: **15 Years**
(21) Appl. No.: **29/668,677**
(22) Filed: **Nov. 1, 2018**
(51) **LOC (13) Cl.** **02-02**
(52) **U.S. Cl.**
USPC **D2/946**
(58) **Field of Classification Search**
USPC D2/896, 902, 906-909, 943-945, 962,
D2/969, 970, 972-974, 977
CPC A43B 5/06; A43B 5/10
See application file for complete search history.

5,220,735 A 6/1993 Raoul-Duval
5,331,751 A 7/1994 Harwood
5,469,641 A 11/1995 Subotic
D388,592 S 1/1998 Minden
5,740,618 A 4/1998 Minden
6,705,026 B1 3/2004 Arbour
6,810,603 B1 11/2004 Cosentino
6,857,203 B2 2/2005 Minden
6,895,693 B2 5/2005 Baruck
7,096,605 B1 8/2006 Kozo et al.
7,124,519 B2 10/2006 Issler
D535,461 S 1/2007 Wilkenfeld et al.
7,254,904 B2 8/2007 Nye
D559,504 S 1/2008 Wilkenfeld et al.
D591,487 S 5/2009 Corneau
7,707,673 B2 5/2010 Durbin

(Continued)

Primary Examiner — Kevin K Rudzinski
Assistant Examiner — Clare Ann Gannon
(74) *Attorney, Agent, or Firm* — Donald S. Showalter;
GrayRobinson, P.A.

(56) **References Cited**
U.S. PATENT DOCUMENTS

1,689,535 A 10/1928 Rovik
1,927,211 A 9/1933 Harris
1,934,591 A 11/1933 Churchill et al.
2,118,835 A 5/1938 Capezio
2,467,388 A * 4/1949 Kamborian A43B 23/081
12/146 D
3,191,321 A 6/1965 Brutting
3,797,137 A * 3/1974 Harkness A43B 5/12
36/113
4,026,046 A 5/1977 Clark et al.
4,133,117 A 1/1979 Bradley
4,162,583 A 7/1979 Darrin
4,199,878 A 4/1980 Wossner
4,453,996 A 6/1984 Terlizzi, Jr. et al.
4,656,761 A 4/1987 Lord
4,735,003 A 4/1988 Dykeman
5,035,069 A * 7/1991 Minden A43B 5/12
36/113
5,129,165 A 7/1992 Woodle
5,191,726 A 3/1993 Vallee

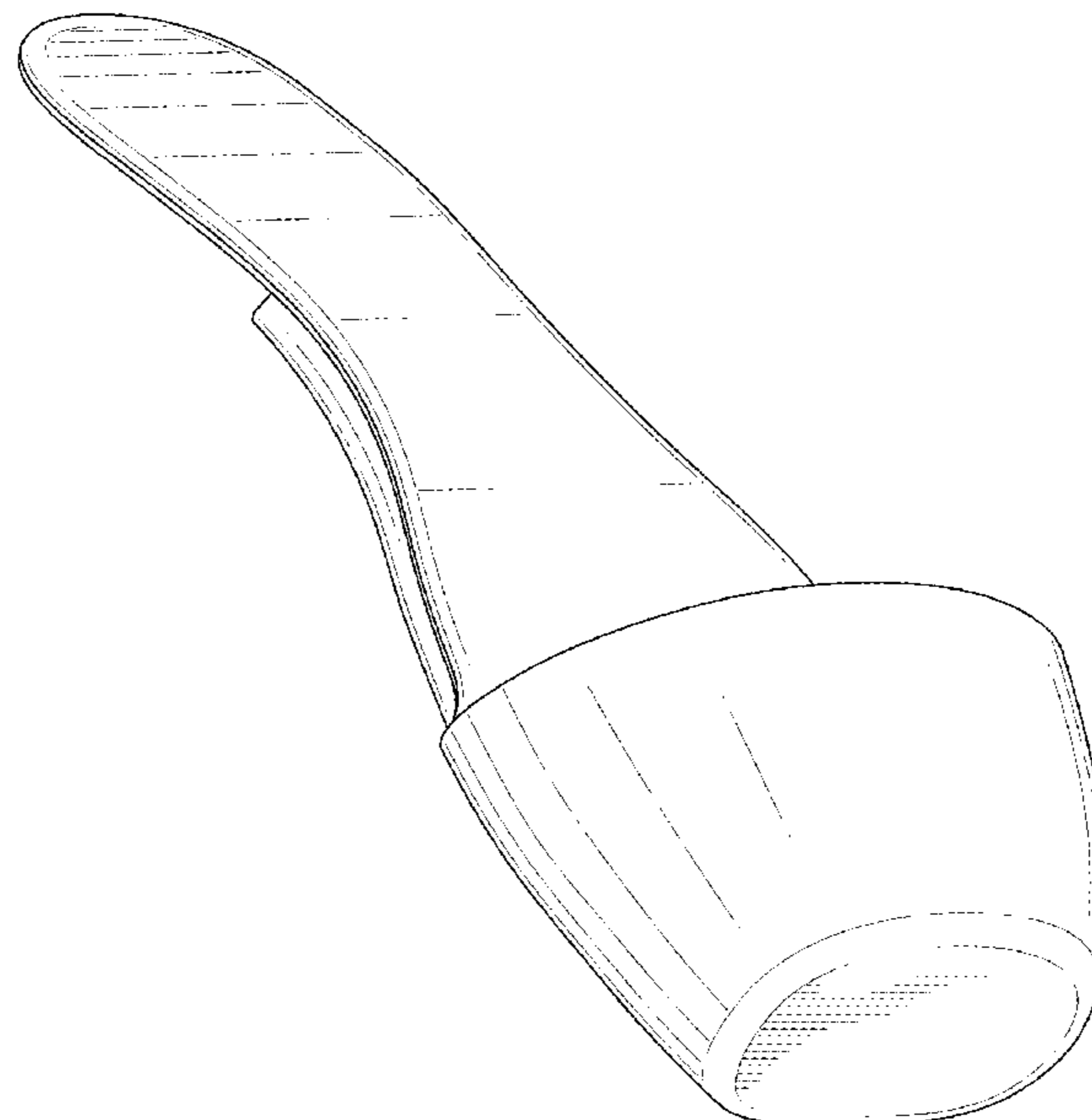
(57) **CLAIM**

The ornamental design for a footwear component, as shown and described.

DESCRIPTION

FIG. 1 is a front perspective view of my ornamental design for a footwear component;
FIG. 2 is a rear perspective view thereof;
FIG. 3 is a front elevational view thereof;
FIG. 4 is a rear elevational view thereof;
FIG. 5 is a left side elevational view thereof;
FIG. 6 is a right side elevational view thereof;
FIG. 7 is a bottom plan view thereof;
FIG. 8 is a top plan view thereof; and,
FIG. 9 is a bottom perspective view thereof.
The broken lines depict portions of the footwear component that form no part of the claimed design.

1 Claim, 8 Drawing Sheets



(56)

References Cited

U.S. PATENT DOCUMENTS

7,765,718 B2	8/2010	Wilkenfeld		D781,035 S	3/2017	Gavrieli et al.
D630,827 S *	1/2011	Mauck	A43B 5/12	D812,864 S	3/2018	Abramowitz
			D2/909	D841,973 S	3/2019	Small
D630,829 S	1/2011	Weisner		2002/0014023 A1	2/2002	Tolwin et al.
7,900,375 B2	3/2011	Thoraval		2002/0108270 A1	8/2002	Williams
7,926,203 B2	4/2011	Wilkenfeld		2004/0226191 A1	11/2004	Hsieh
D646,472 S *	10/2011	Chen	A43B 5/12	2005/0022421 A1	2/2005	Bruckner
			D2/909	2008/0034612 A1	2/2008	Palattella
8,186,080 B2	5/2012	Favreau et al.		2009/0151200 A1	6/2009	Niedermeyer et al.
8,191,285 B2	6/2012	Perron, Jr.		2009/0199434 A1 *	8/2009	Perron, Jr. A43B 5/025
8,479,416 B2	7/2013	Auger et al.				36/107
D707,927 S	7/2014	Nataadiningrat et al.		2010/0126042 A1	5/2010	Wyon
D730,025 S	5/2015	Minden		2010/0146822 A1	6/2010	MacGregor
9,314,068 B2	4/2016	Schmutte		2010/0281715 A1	11/2010	Cayol et al.
9,414,639 B2	8/2016	Heathcote		2014/0259774 A1	9/2014	Minden
9,491,981 B2	11/2016	Suffolk et al.		2015/0007454 A1	1/2015	Swift
D781,032 S	3/2017	Gavrieli et al.		2015/0173454 A1	6/2015	Perez et al.
				2015/0342293 A1	12/2015	Hazzouri
				2017/0215519 A1	8/2017	McHugh
				2019/0269199 A1 *	9/2019	Freed A43B 17/003

* cited by examiner

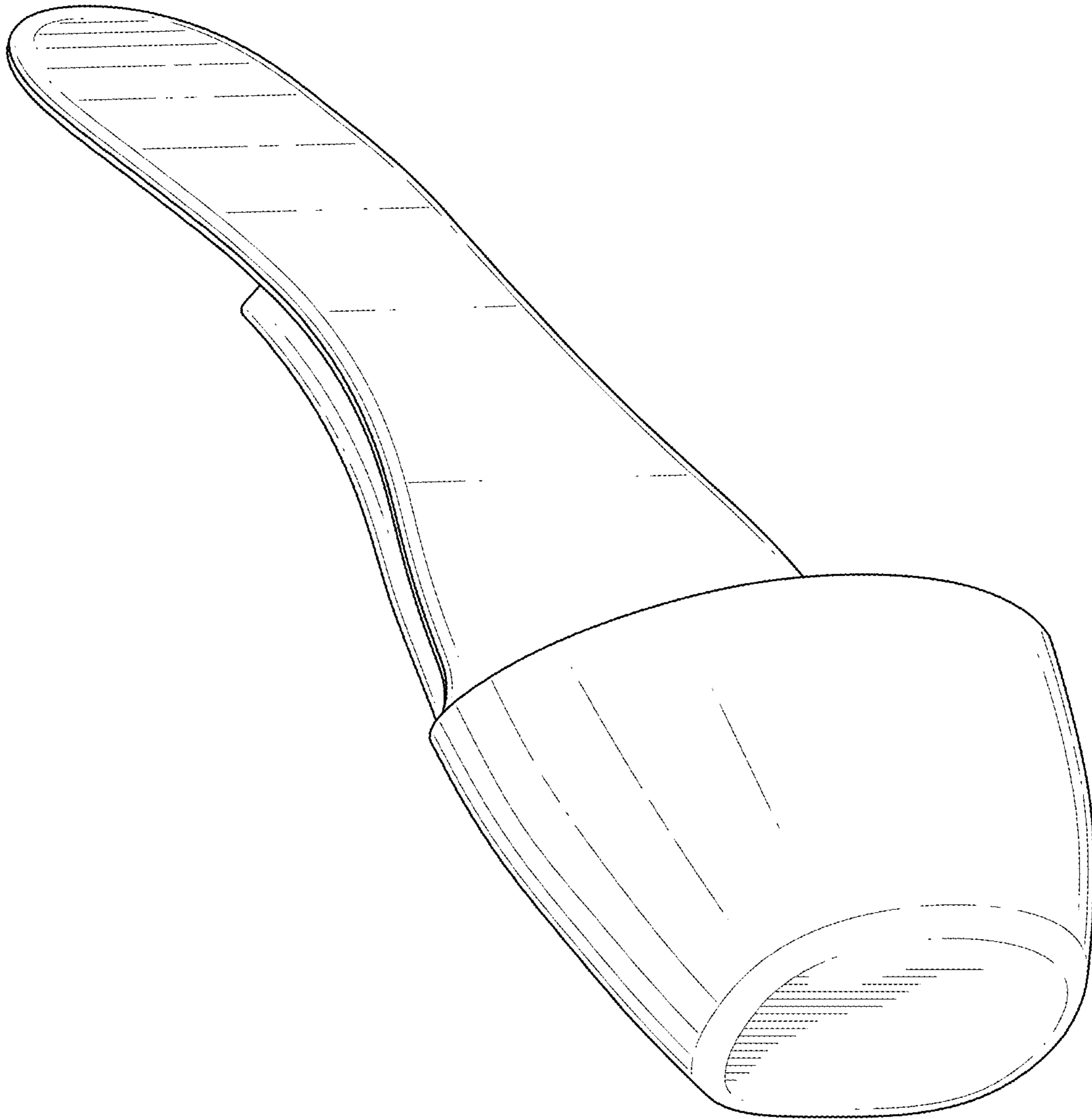


FIG. 1

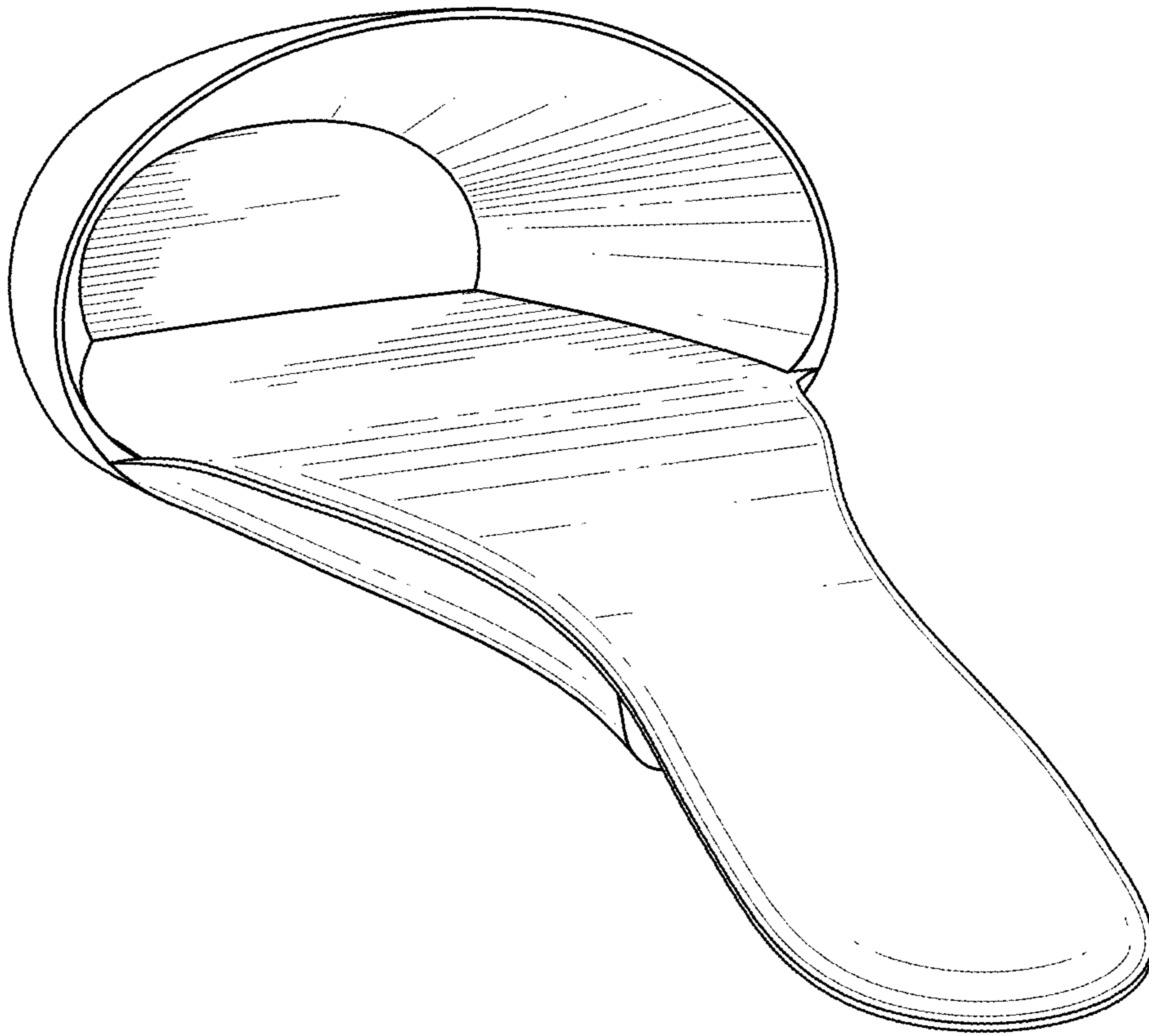


FIG.2

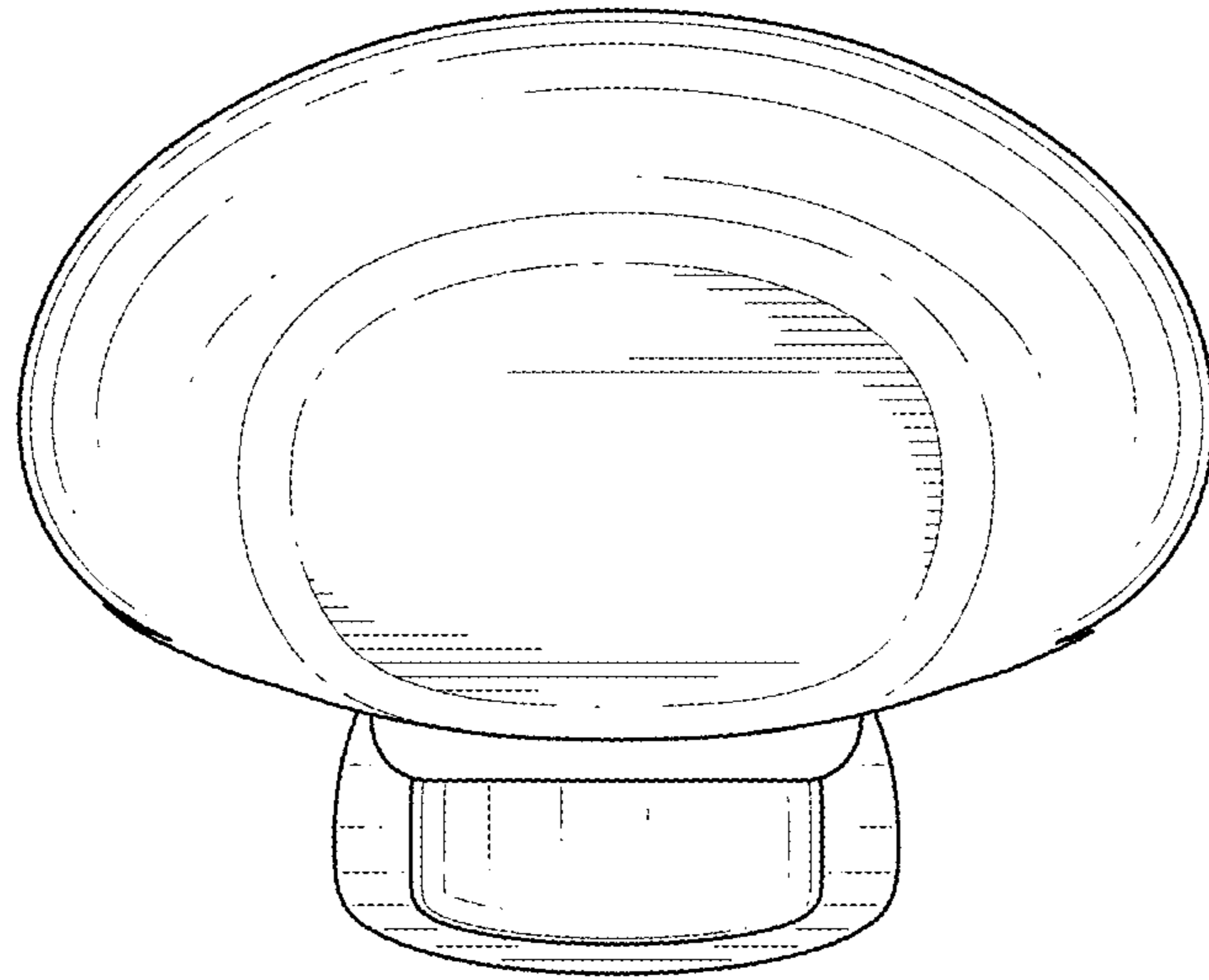


FIG. 3

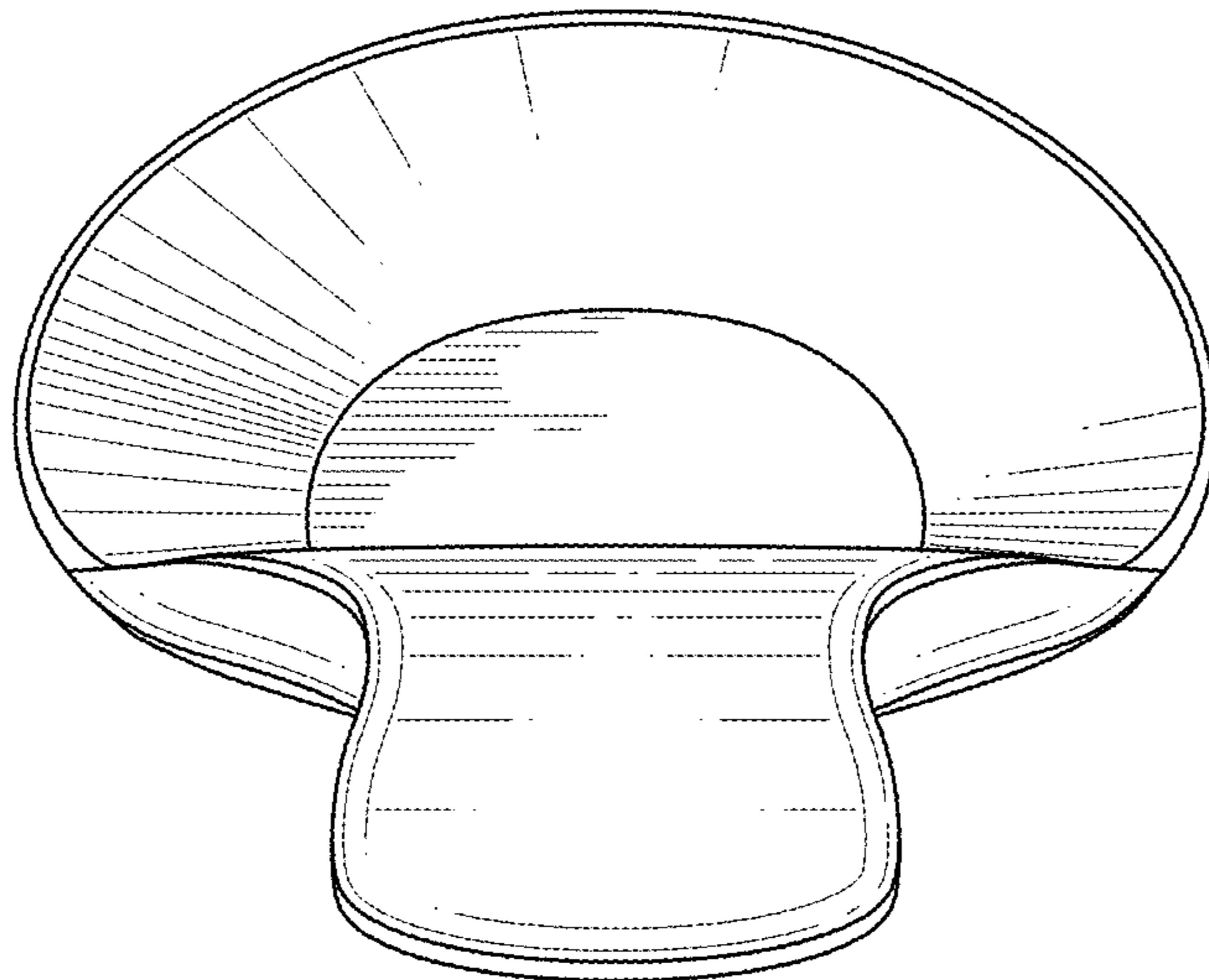


FIG. 4

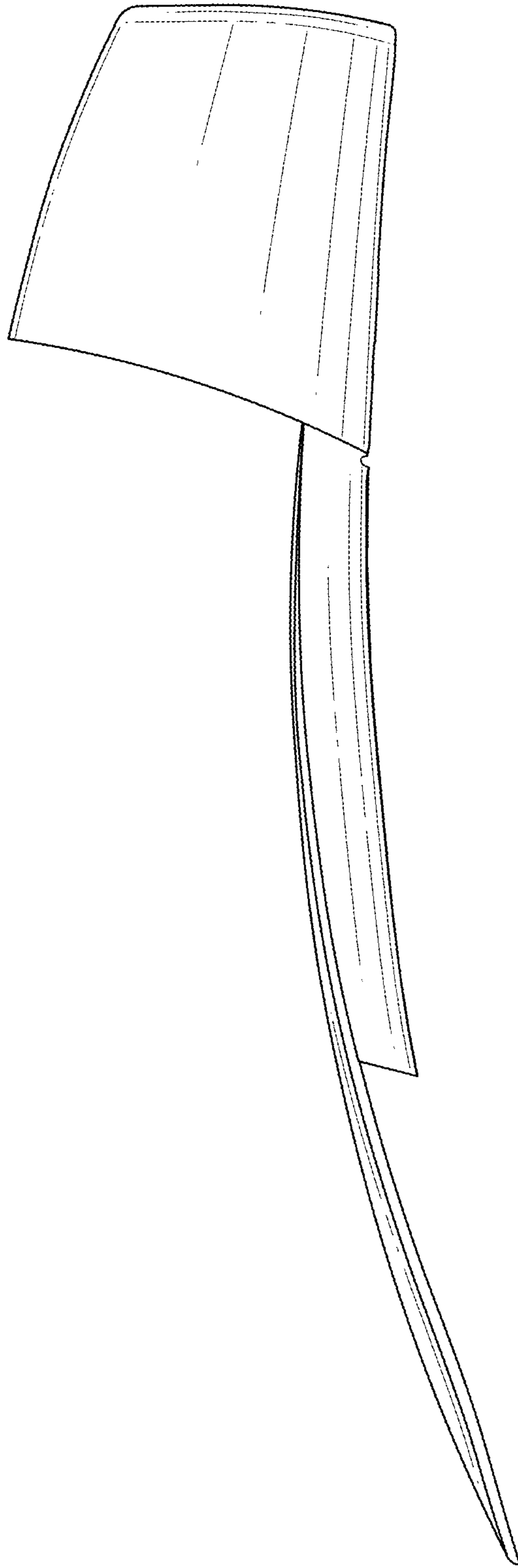


FIG. 5

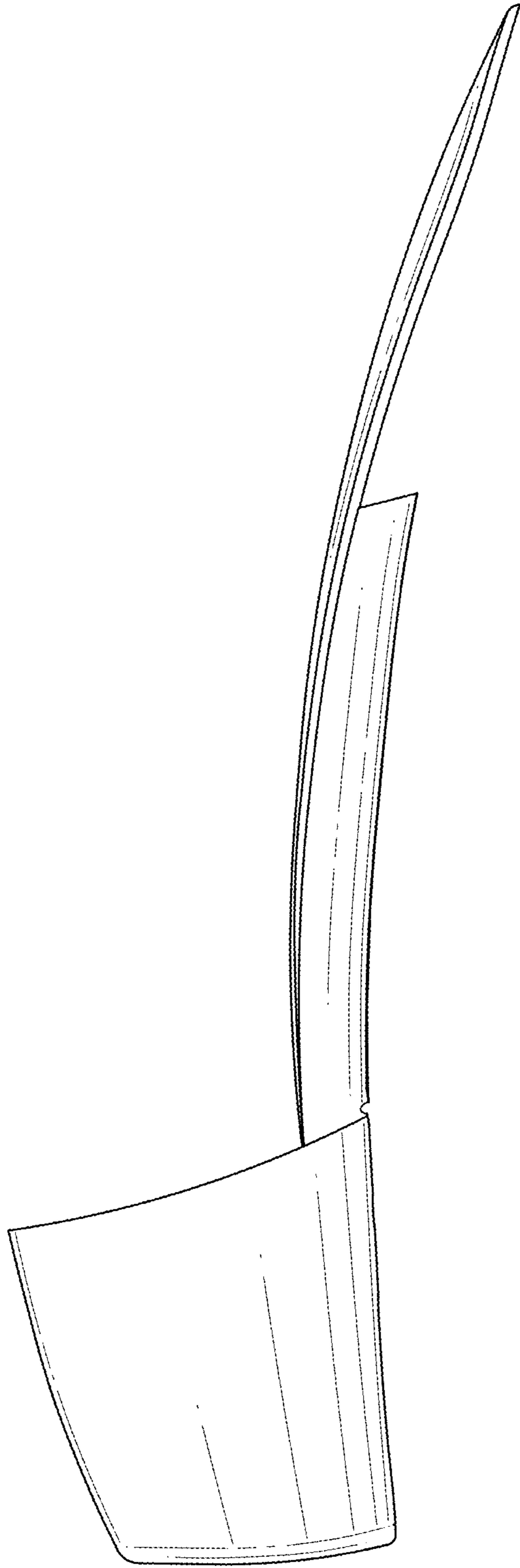


FIG. 6

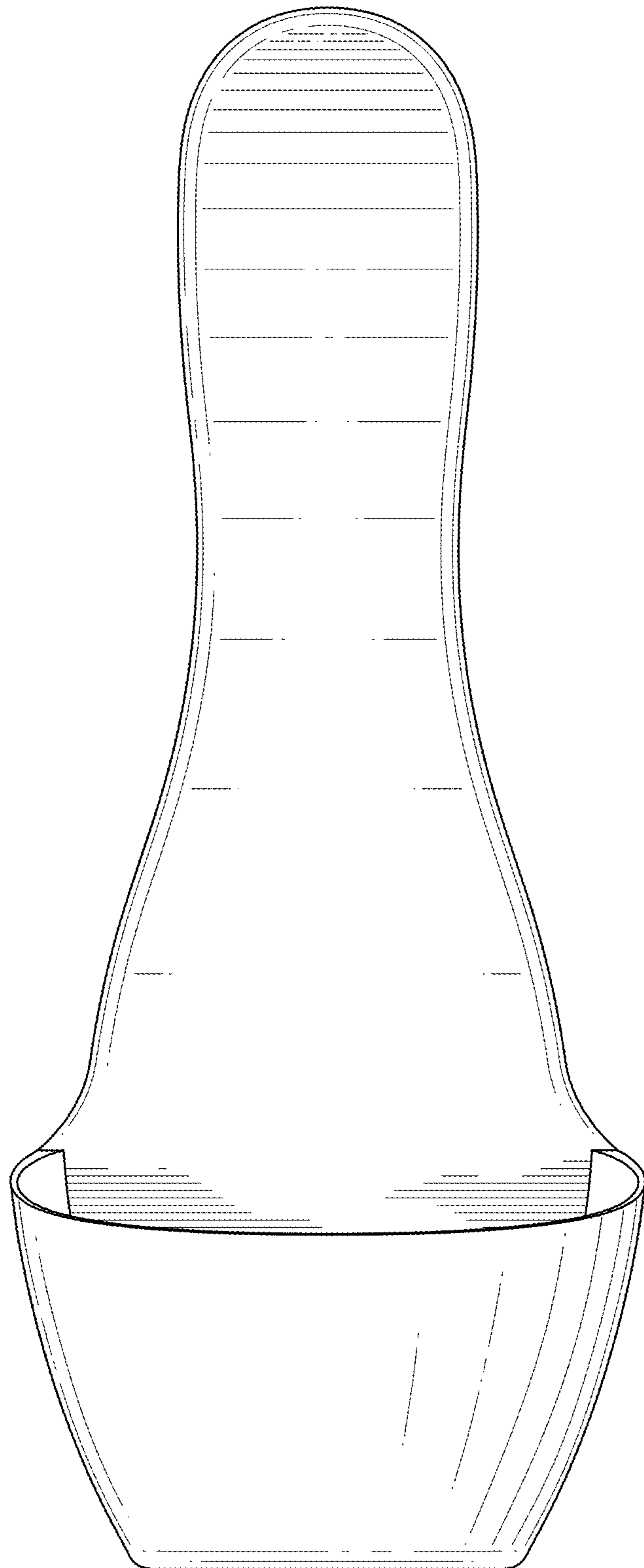


FIG. 7

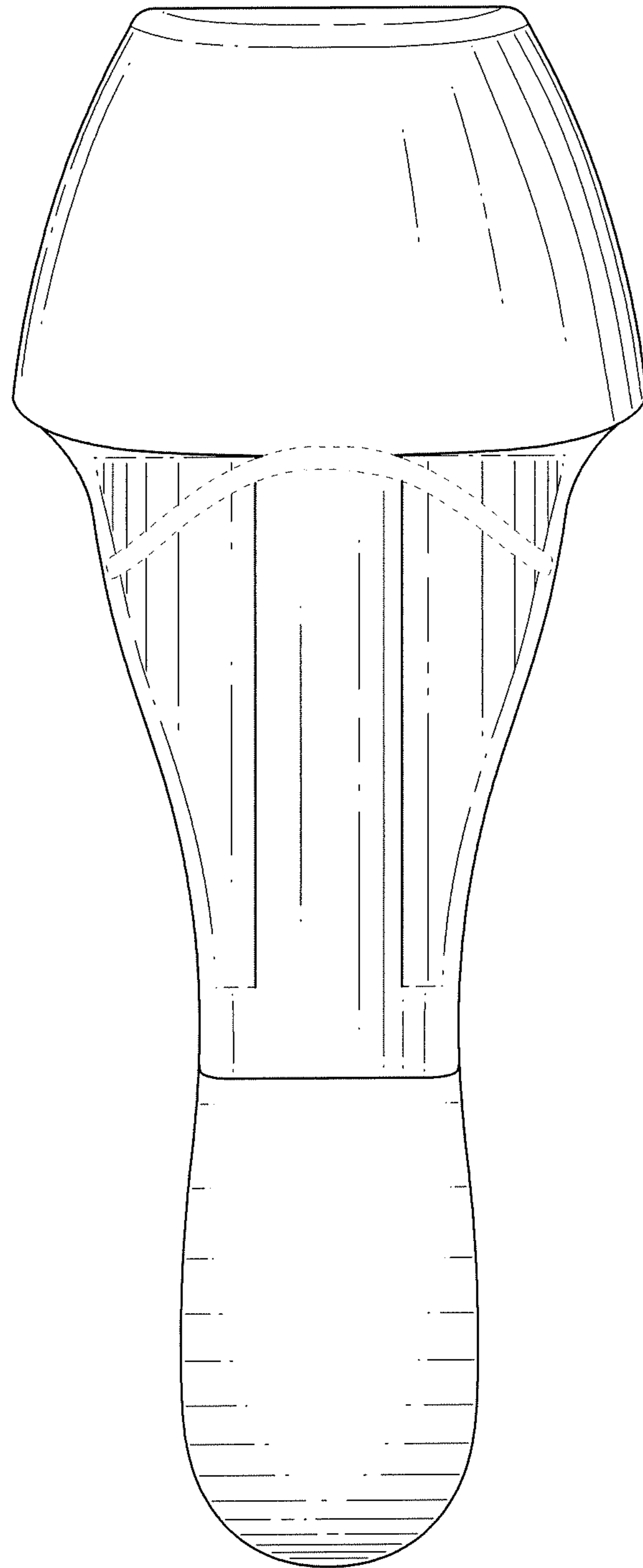


FIG. 8

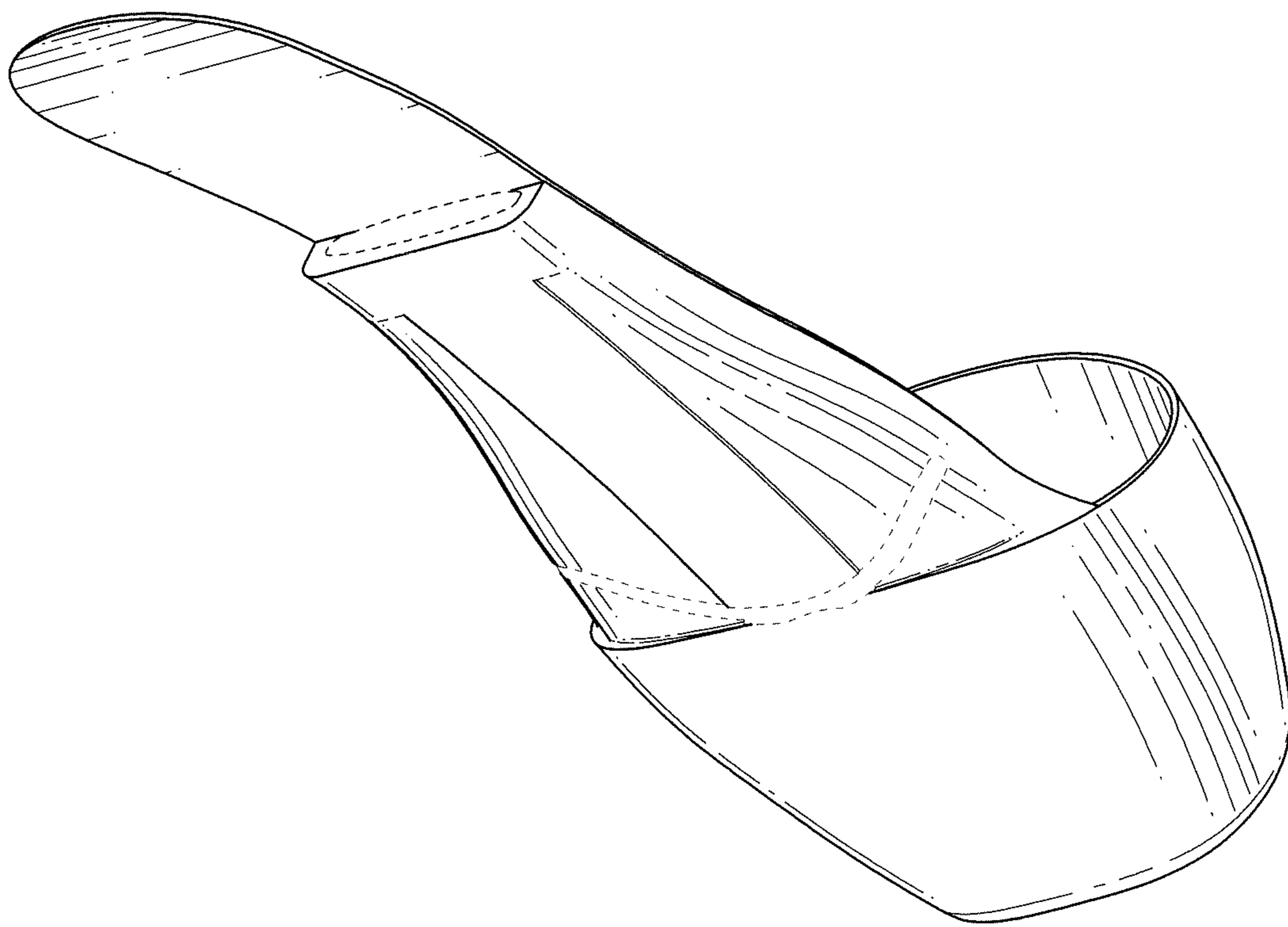


FIG.9