



US00D912365S

(12) **United States Design Patent** (10) **Patent No.:** **US D912,365 S**
Shen (45) **Date of Patent:** **** Mar. 2, 2021**

(54) **SAFETY BOX FOR PISTOL**
(71) Applicant: **Shaodong Shen**, Fujian (CN)
(72) Inventor: **Shaodong Shen**, Fujian (CN)
(**) Term: **15 Years**
(21) Appl. No.: **29/751,767**
(22) Filed: **Sep. 23, 2020**
(51) **LOC (13) Cl.** **99-00**
(52) **U.S. Cl.**
USPC **D99/28; D3/254**
(58) **Field of Classification Search**
USPC D3/201, 221-223, 254, 262, 273;
D99/28, 34, 35, 36, 43
CPC F41C 33/02-06; E05B 37/00-20; E05B
65/0014; E05B 65/0075
See application file for complete search history.

(56) **References Cited**

U.S. PATENT DOCUMENTS

5,161,396 A * 11/1992 Loeff E05B 47/0002
109/59 T
5,172,575 A * 12/1992 Fisher E05B 37/20
206/317
5,769,006 A * 6/1998 Allaer E05G 1/00
109/51
D399,632 S * 10/1998 Davis D99/28
D541,045 S * 4/2007 Peart D3/291
D542,529 S * 5/2007 Peart D3/276
D558,977 S * 1/2008 Peart D3/294
D561,994 S * 2/2008 Peart D3/291
7,546,920 B1 * 6/2009 Horn F41C 33/06
206/317
D719,344 S * 12/2014 Miller D3/203.1
D724,811 S 3/2015 Reitingner
D732,265 S * 6/2015 Osiecki D99/28
D748,365 S * 1/2016 Nelson D99/28
D758,690 S * 6/2016 Miller D99/28
D803,508 S * 11/2017 Horn D99/28

D817,589 S * 5/2018 Culbreth D99/28
10,161,165 B2 * 12/2018 Yuan E05B 65/52
10,253,529 B1 * 4/2019 McGinn E05B 47/0001
D855,984 S * 8/2019 Cavazos D3/254
D860,579 S * 9/2019 McCabe E05G 1/005
D99/28
D866,913 S * 11/2019 Xu D99/28
D893,123 S * 8/2020 Yu D99/28
2009/0071208 A1 * 3/2009 Wang E05B 47/0603
70/277
2012/0042703 A1 * 2/2012 Chang E05B 19/0005
70/63
2012/0042704 A1 * 2/2012 Chang A45C 13/10
70/63
2012/0222589 A1 * 9/2012 Miyashita E05G 1/005
109/40

(Continued)

Primary Examiner — Mitchell I. Siegel
(74) *Attorney, Agent, or Firm* — ScienBiziP, P.C.

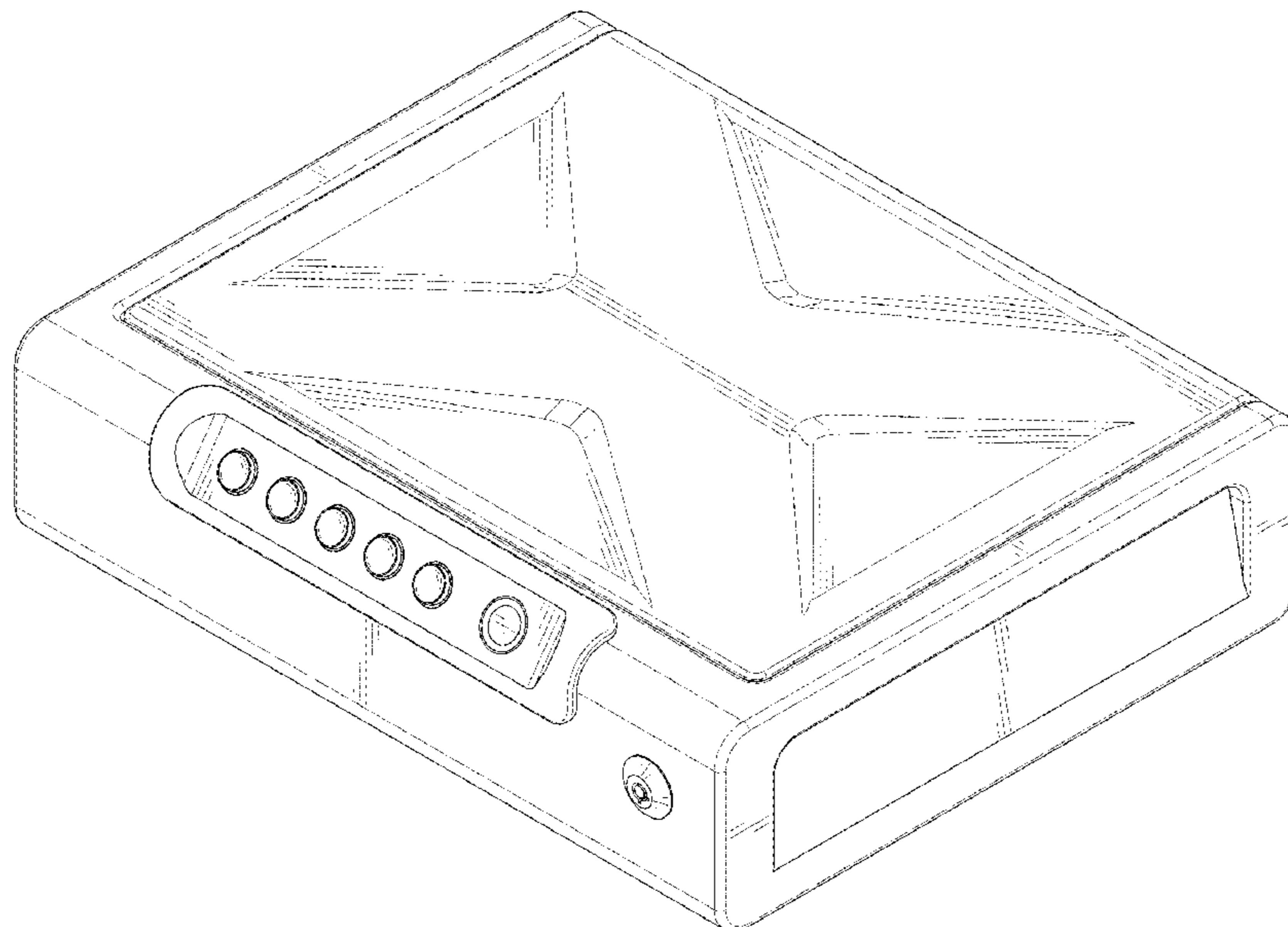
(57) **CLAIM**

The ornamental design for a safety box for pistol, as shown and described.

DESCRIPTION

FIG. 1 is a top perspective view of a safety box for pistol, showing my design.
FIG. 2 is a front elevation view of the safety box for pistol of FIG. 1.
FIG. 3 is a rear elevation view of the safety box for pistol of FIG. 1.
FIG. 4 is a left side elevation of the safety box for pistol of FIG. 1.
FIG. 5 is a right side elevation of the safety box for pistol of FIG. 1.
FIG. 6 is a top plan view of the safety box for pistol of FIG. 1; and,
FIG. 7 is a bottom plan view of the safety box for pistol of FIG. 1.

1 Claim, 7 Drawing Sheets



(56)

References Cited

U.S. PATENT DOCUMENTS

2012/0305428 A1* 12/2012 Bouhraoua B65D 55/14
206/438
2013/0025511 A1* 1/2013 Maxwell E05G 1/04
109/59 R
2016/0018186 A1* 1/2016 Pikielny F41A 17/44
206/317
2016/0377374 A1* 12/2016 Pikielny H02J 7/0027
206/216
2018/0334228 A1* 11/2018 Cavazos B63B 32/70
2019/0368260 A1* 12/2019 Gilbert E05G 1/10

* cited by examiner

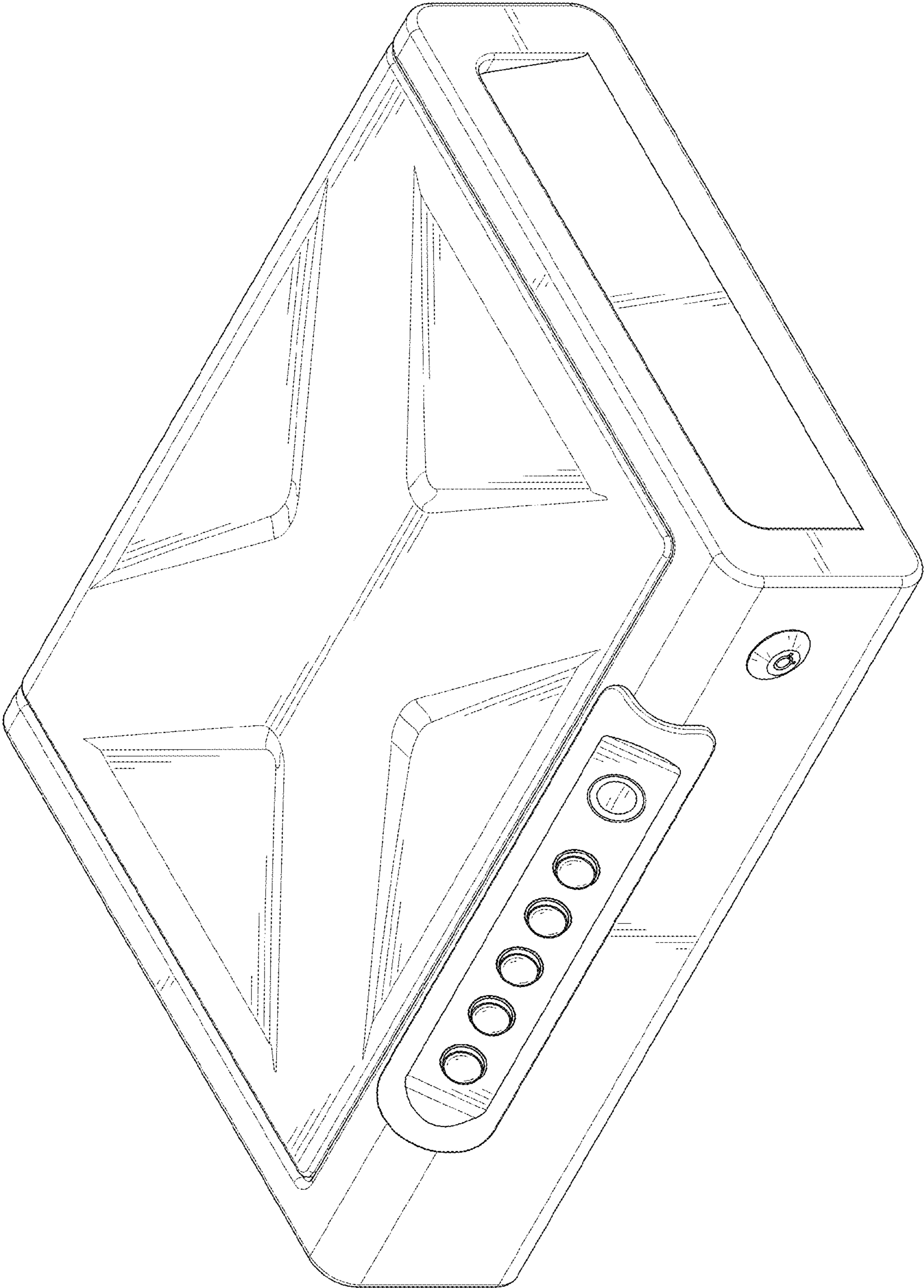


FIG.1

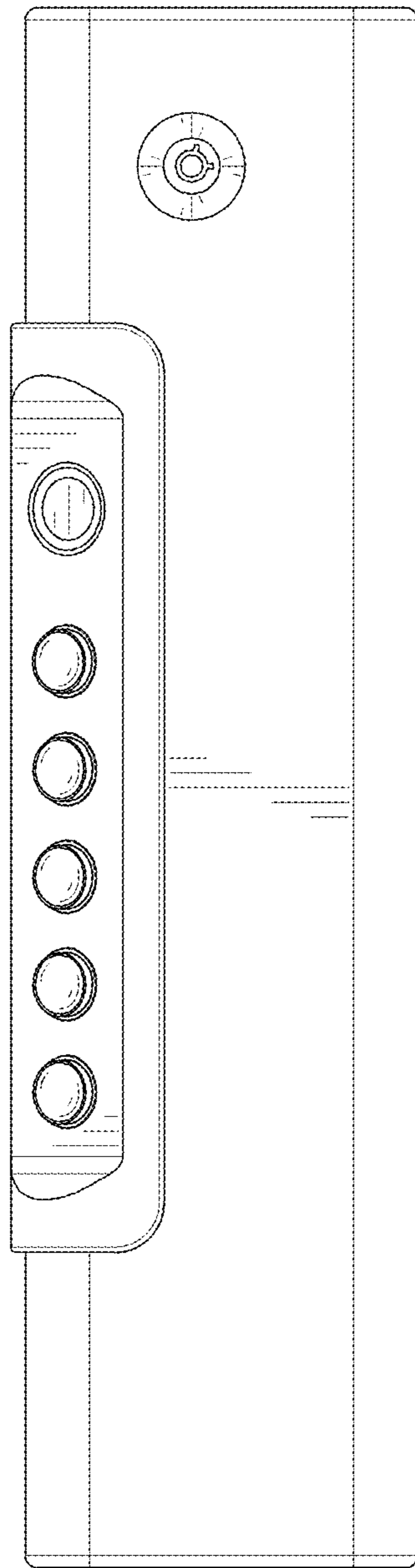


FIG.2

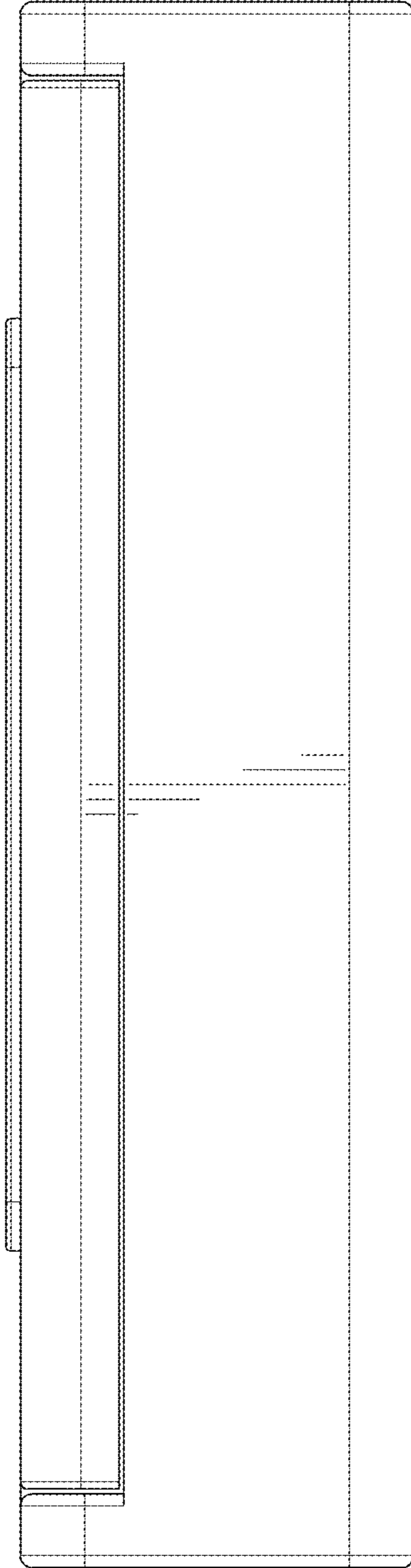


FIG. 3

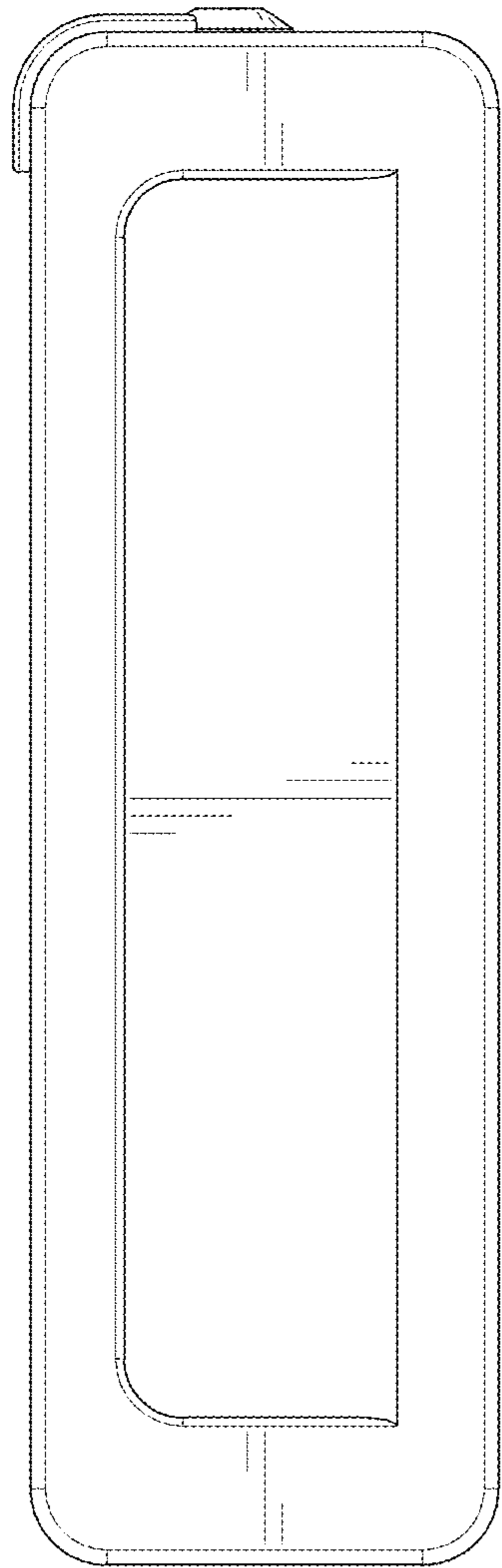


FIG. 4

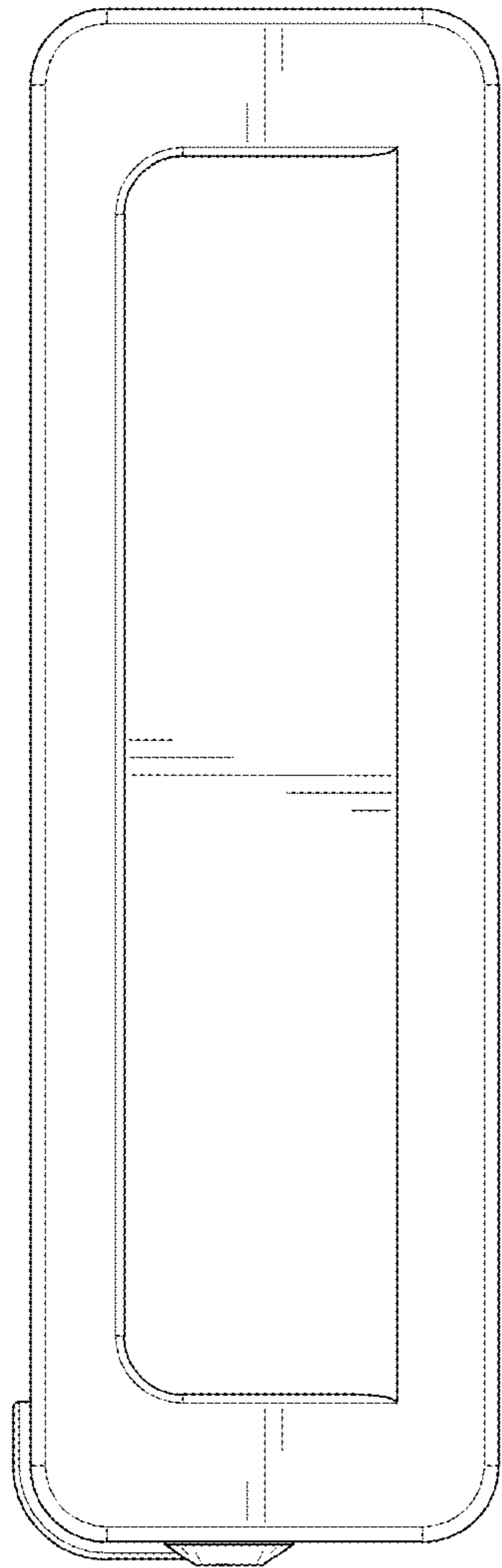


FIG. 5

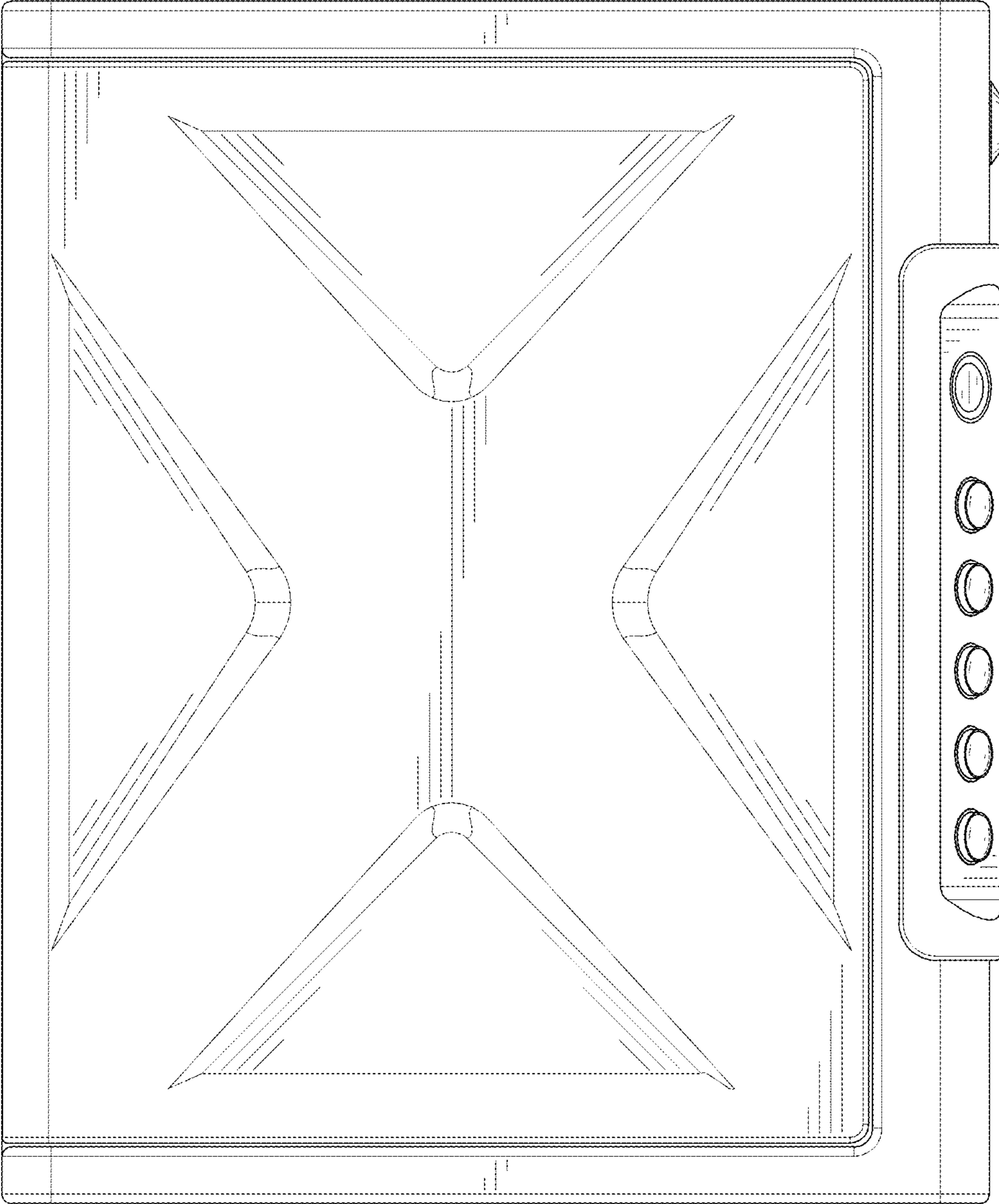


FIG.6

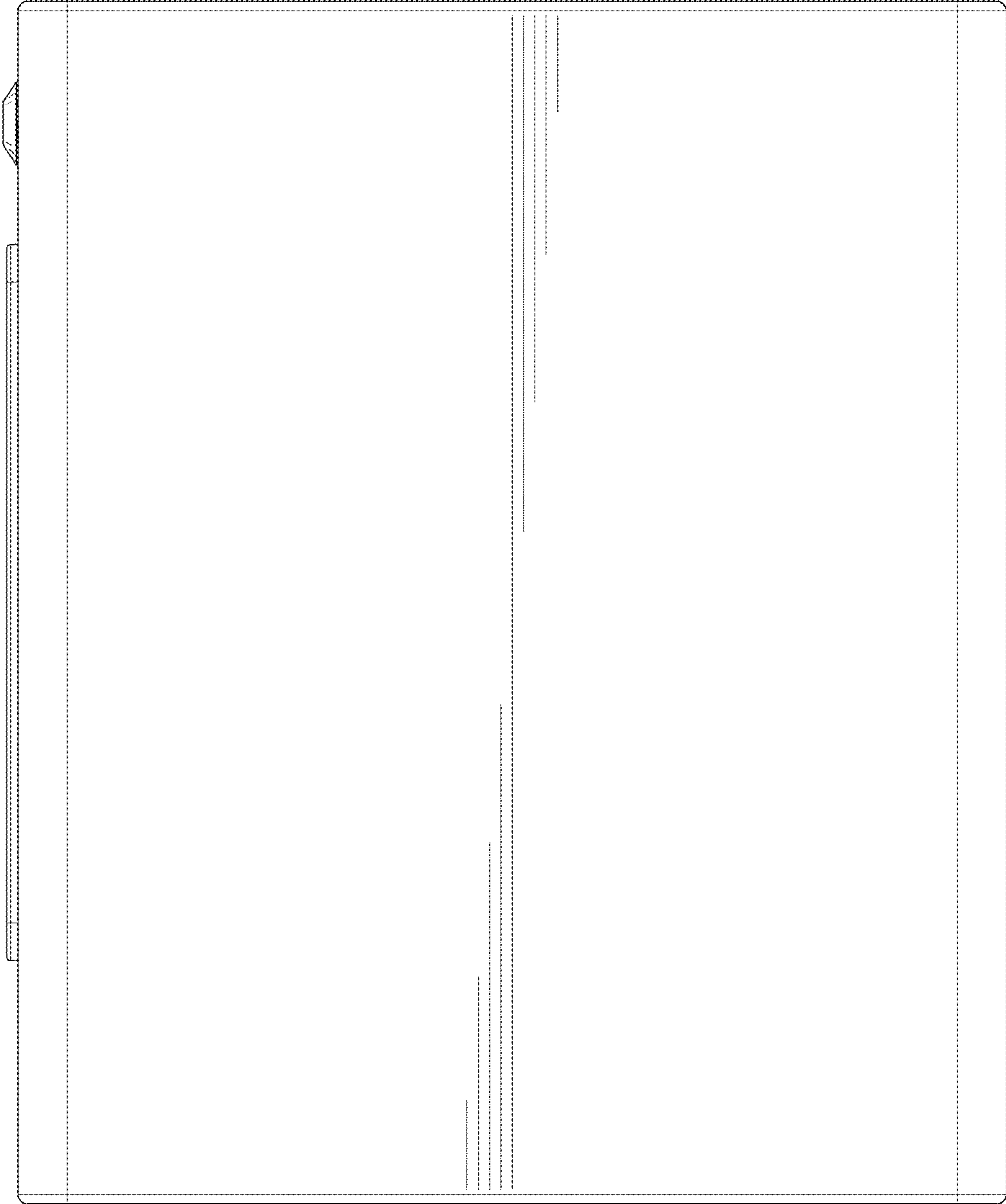


FIG. 7