



US00D912364S

(12) **United States Design Patent** (10) **Patent No.:** **US D912,364 S**
Hogan et al. (45) **Date of Patent:** **** Mar. 2, 2021**

(54) **ROLLER CHAIN OUTER PLATE LINK**

5,193,660 A 3/1993 McKeman et al.

(71) Applicant: **FMH Conveyors LLC**, Jonesboro, AR (US)

5,203,745 A 4/1993 Wang
7,240,477 B1 7/2007 Dunfee et al.

(Continued)

(72) Inventors: **William Mark Hogan**, Virginia Beach, VA (US); **Jamshid Naderi**, Henrico, VA (US)

FOREIGN PATENT DOCUMENTS

GB 445527 A 4/1936

(73) Assignee: **FMH Conveyors LLC**, Jonesboro, AR (US)

OTHER PUBLICATIONS

Tsubaki, Small Size Conveyor Chains & Sprockets, Tsubakimoto Chain Co., Catalog No. ME 1311, (c) 2014, 168pgs.

(**) Term: **15 Years**

(Continued)

(21) Appl. No.: **29/665,279**

Primary Examiner — Gino Colan

(22) Filed: **Oct. 2, 2018**

(74) *Attorney, Agent, or Firm* — Michael Best and Friedrich LLP

Related U.S. Application Data

(62) Division of application No. 29/590,255, filed on Jan. 9, 2017, now Pat. No. Des. 833,702.

(57) **CLAIM**

The ornamental design for a roller chain outer plate link, as shown and described.

(51) **LOC (13) Cl.** **12-05**

DESCRIPTION

(52) **U.S. Cl.**
USPC **D34/35**

(58) **Field of Classification Search**
USPC D34/29, 35; 74/89.2; 474/232, 231, 230, 474/228, 227, 226, 224, 213, 212, 206, 474/111; 59/85, 84, 5, 4, 1; 198/853, 198/834
CPC F16G 13/06; F16G 13/04; F16G 15/12; F16G 13/07; F16G 13/08
See application file for complete search history.

FIG. 1 is a front perspective view of an embodiment of an outer plate link.

FIG. 2 is a rear perspective view of the outer plate link in FIG. 1.

FIG. 3 is a front view of the outer plate link in FIG. 1.

FIG. 4 is a rear view of the outer plate link in FIG. 1.

FIG. 5 is a right end view of the outer plate link in FIG. 1.

FIG. 6 is a left end view of the outer plate link in FIG. 1.

FIG. 7 is a top view of the outer plate link in FIG. 1; and, FIG. 8 is a bottom view of the outer plate link in FIG. 1.

The broken lines shown in the figures are for the purpose of illustrating portions of the roller chain outer plate link and form no part of the claimed design.

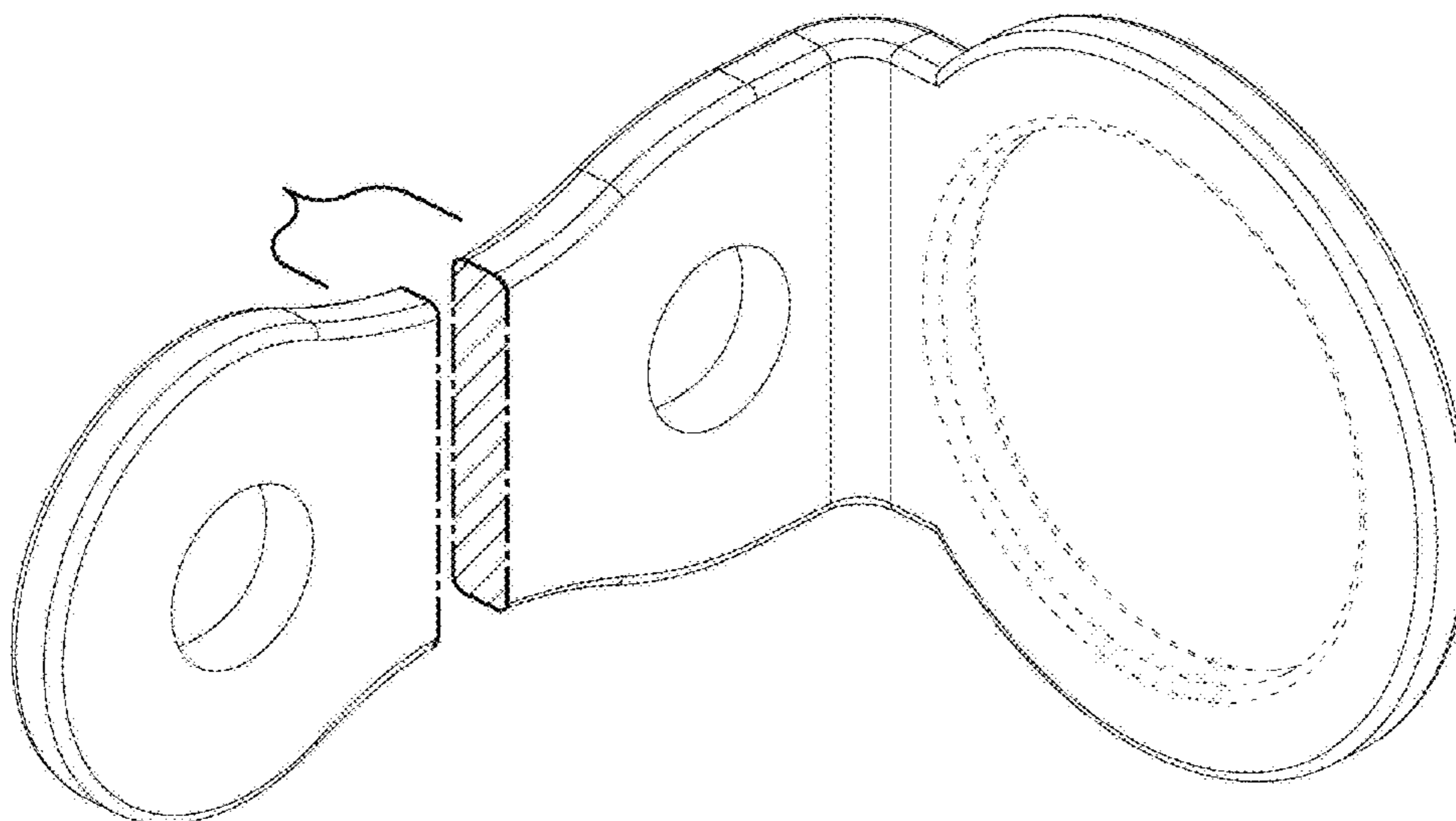
The roller chain outer plate link is shown with symbolic breaks in its length. The appearance of any portion of the article between the break lines forms no part of the claimed design.

(56) **References Cited**

U.S. PATENT DOCUMENTS

2,432,411 A 12/1947 Guerin et al.
2,452,242 A 10/1948 Johnson
2,620,676 A 12/1952 Raddings
2,972,857 A 2/1961 Bodman
3,231,069 A 1/1966 Lanham
D289,497 S 4/1987 Schroeder et al.

1 Claim, 5 Drawing Sheets



(56)

References Cited

U.S. PATENT DOCUMENTS

D734,590 S 7/2015 Evers
2002/0165057 A1 11/2002 Barton et al.
2006/0194664 A1 8/2006 Wang
2016/0040753 A1 2/2016 Wang

OTHER PUBLICATIONS

U.S. Appl. No. 15/401,613, filed Jan. 9, 2017, 29pgs.
European Search Report dated Jun. 19, 2018 for corresponding
European Application No. 18150893.8.
Design U.S. Appl. No. 29/590,255, filed Jan. 9, 2017.

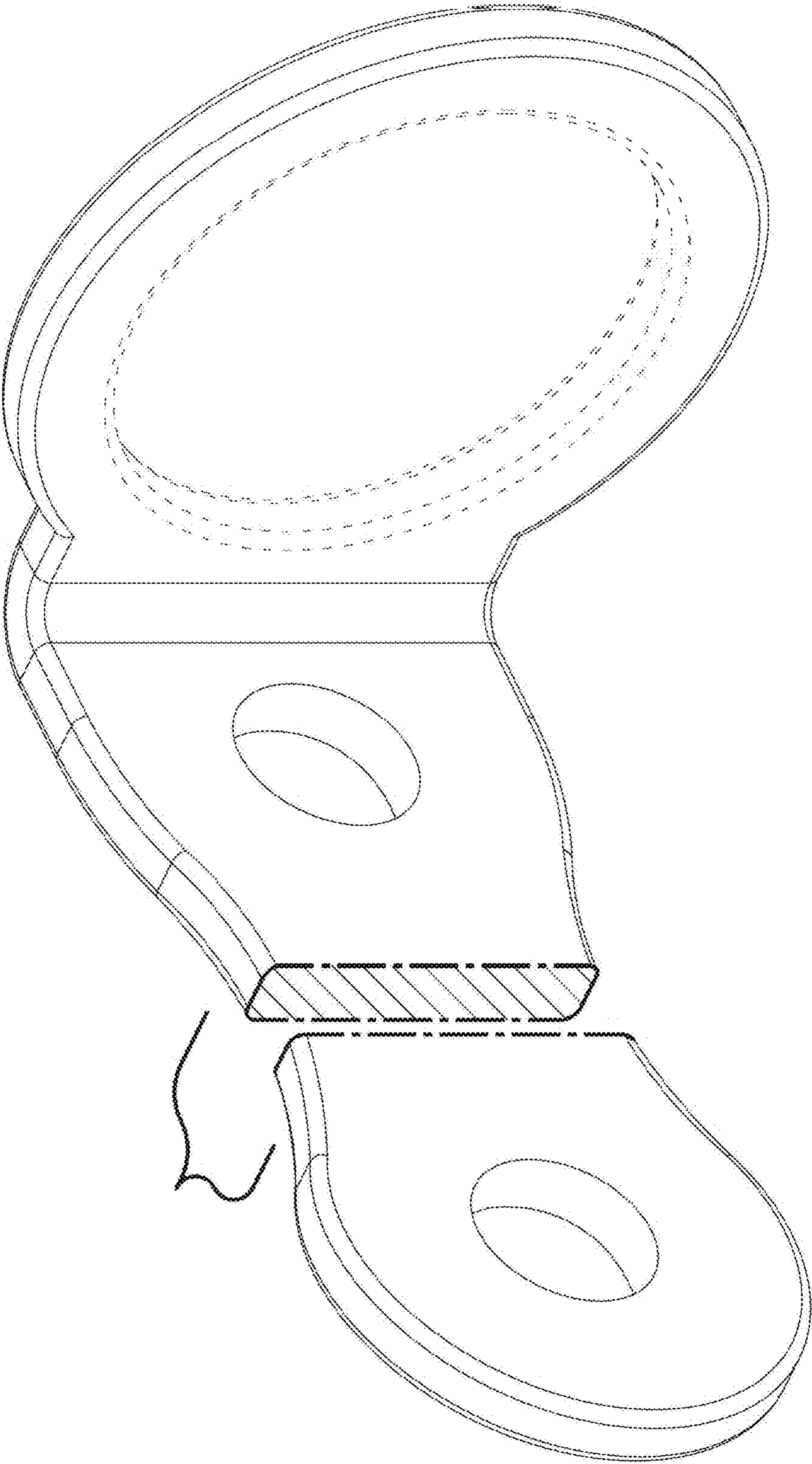


FIG. 1

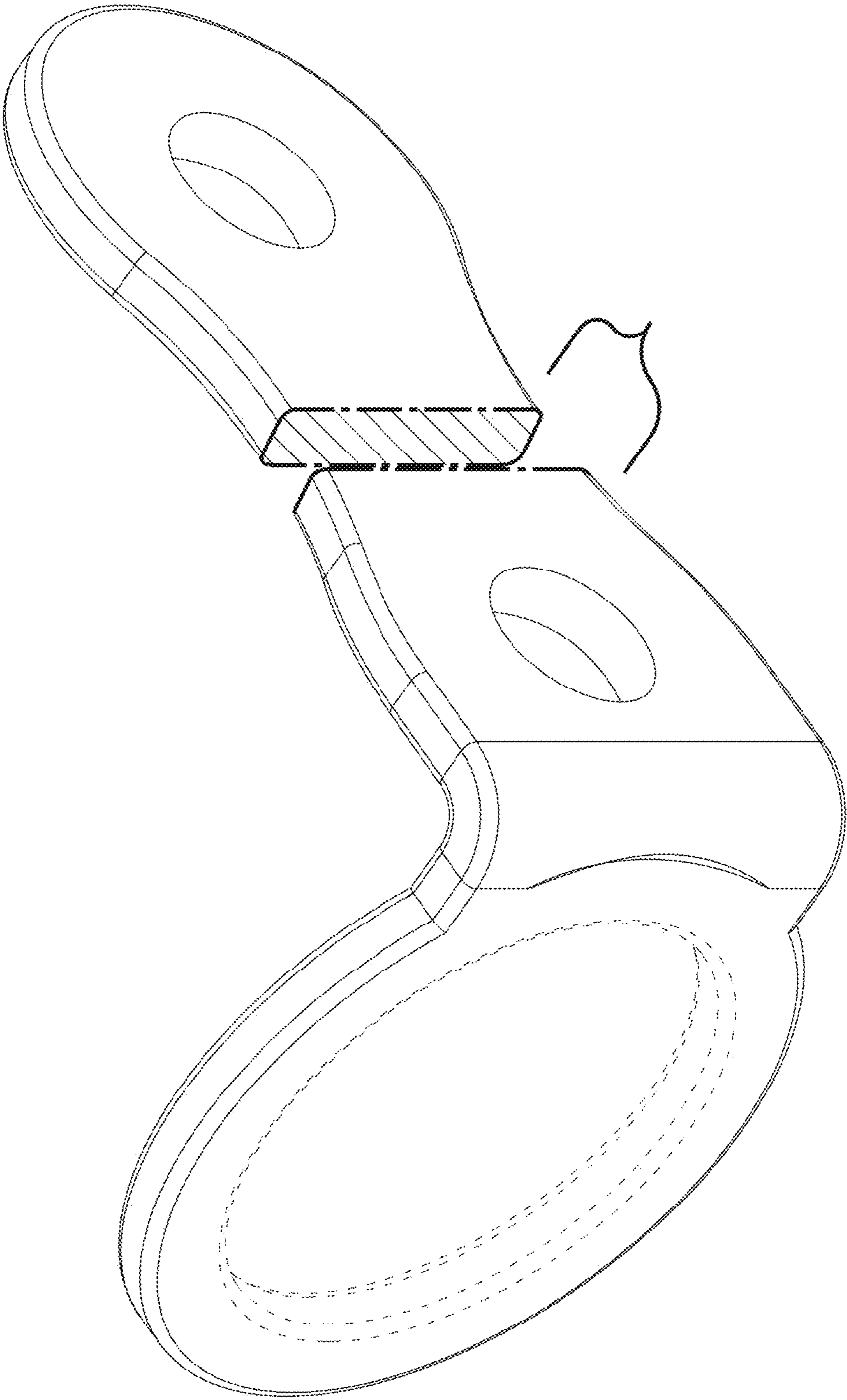


FIG. 2

FIG. 3

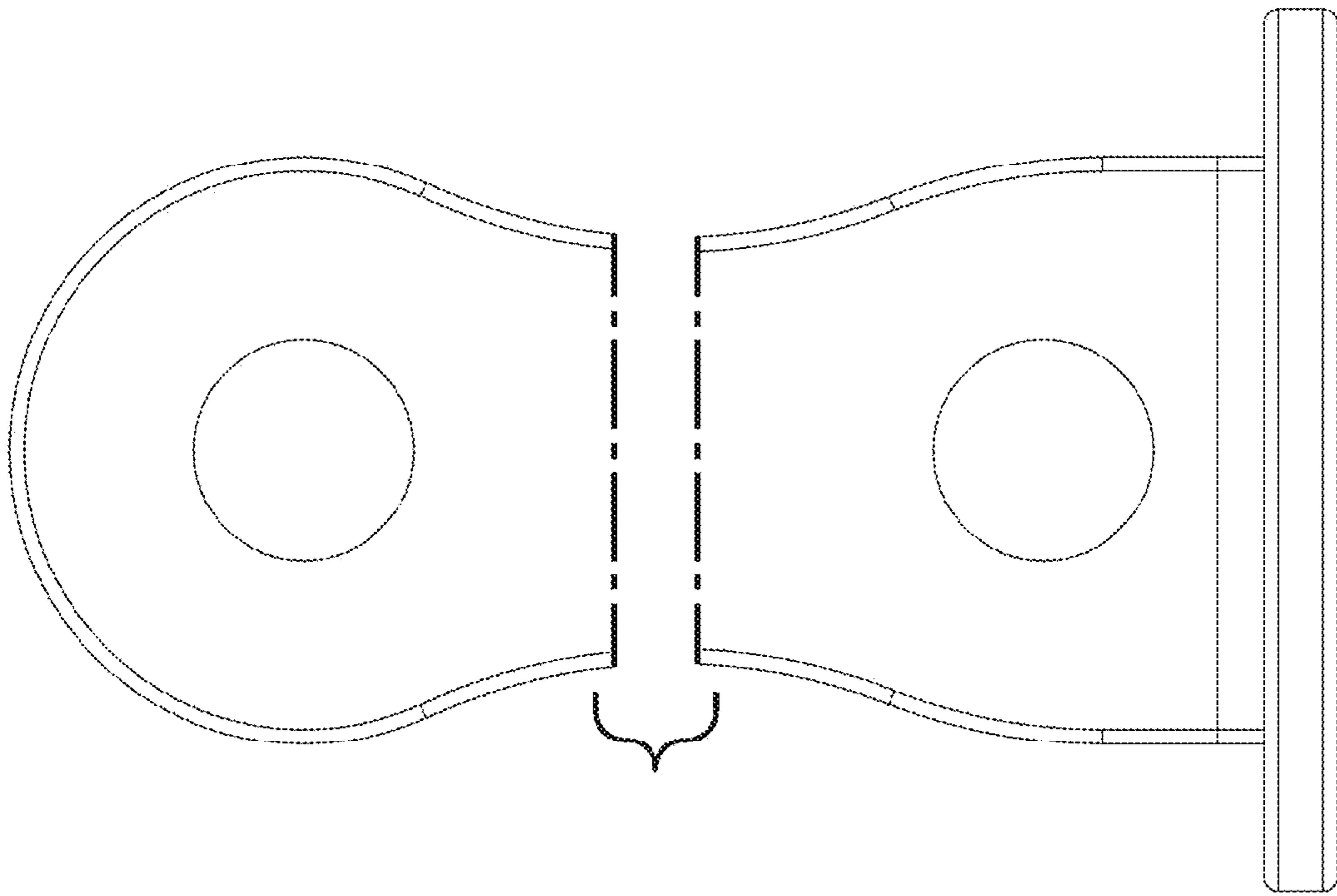


FIG. 4

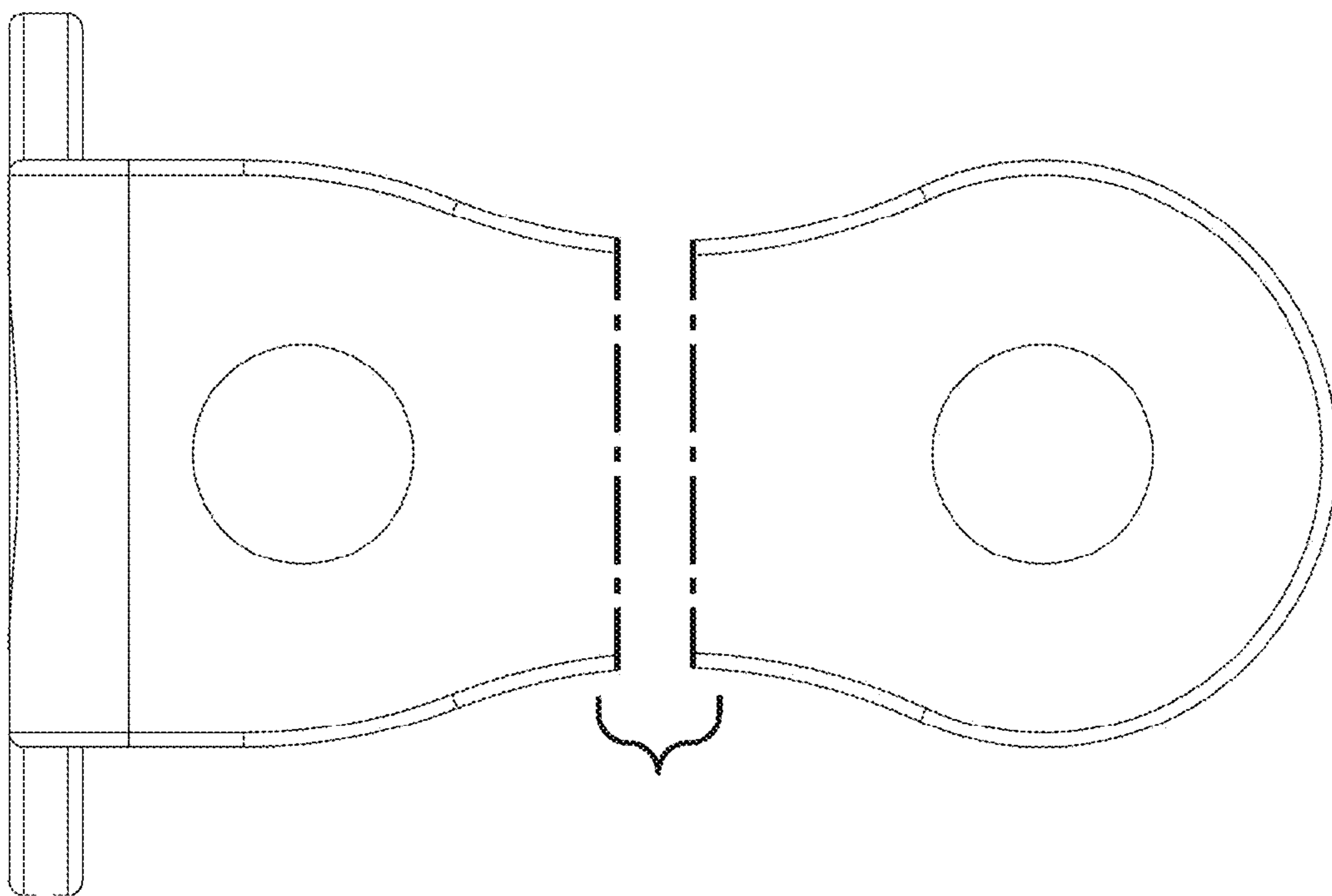


FIG. 5

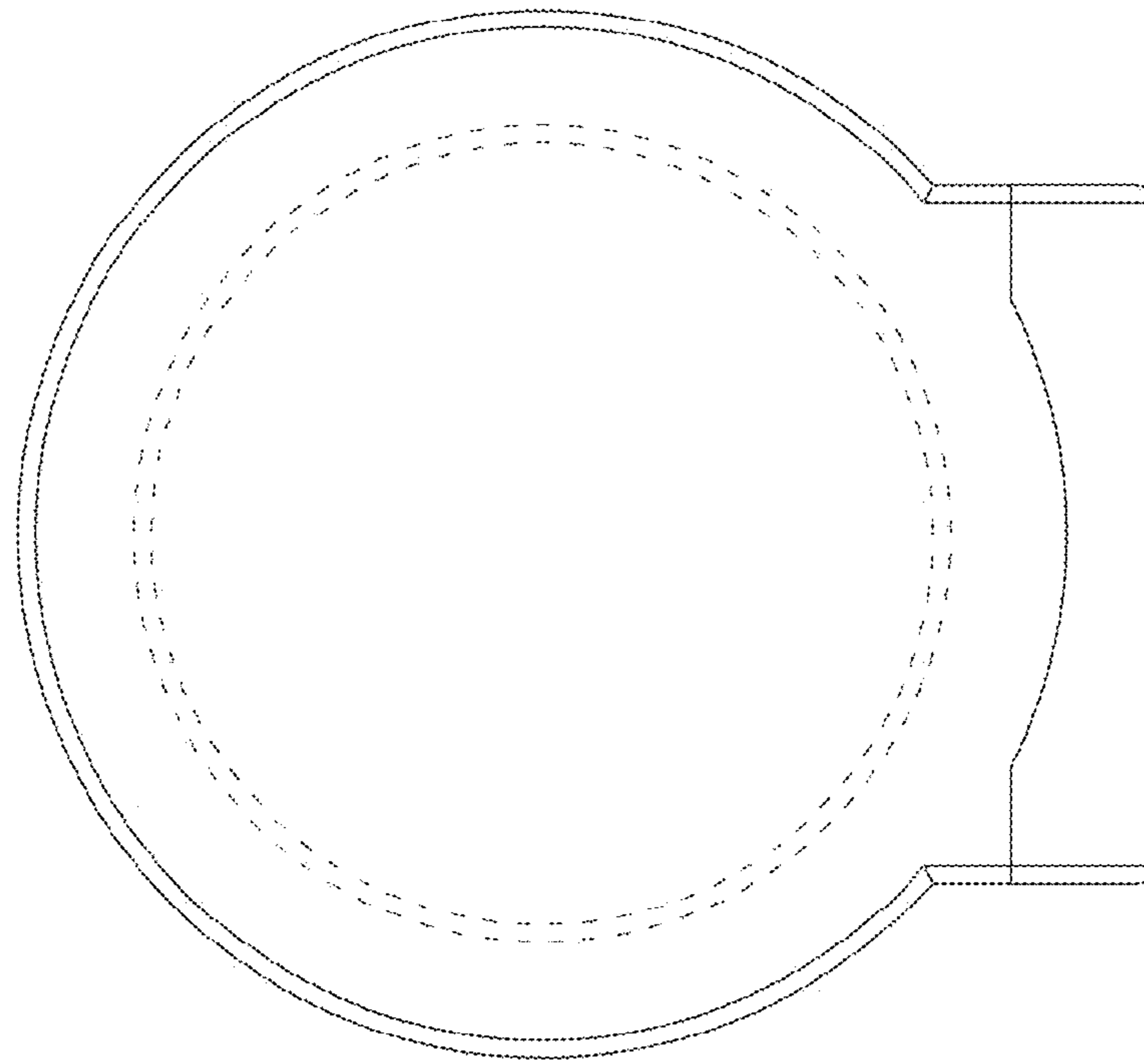


FIG. 6

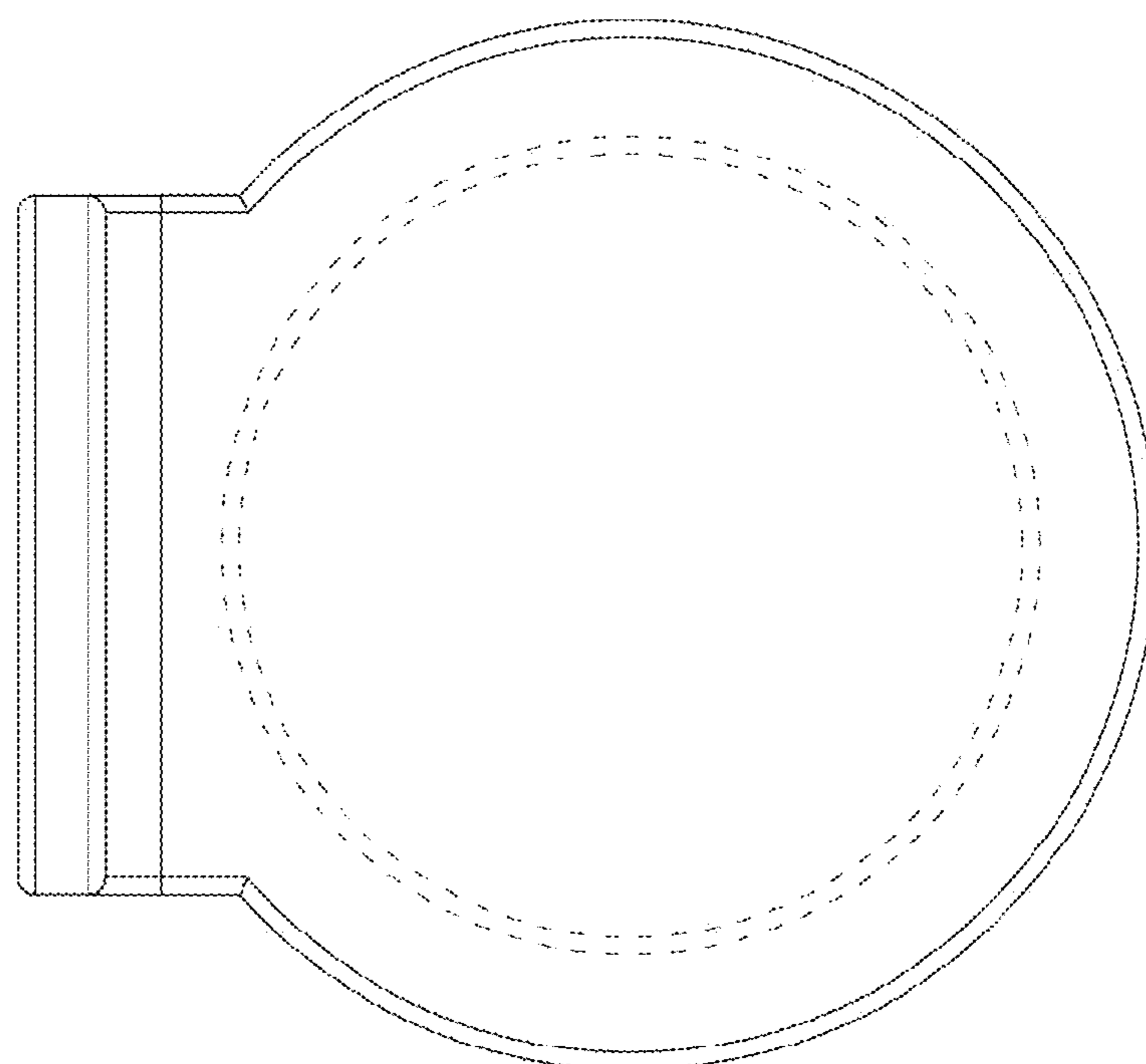


FIG. 7

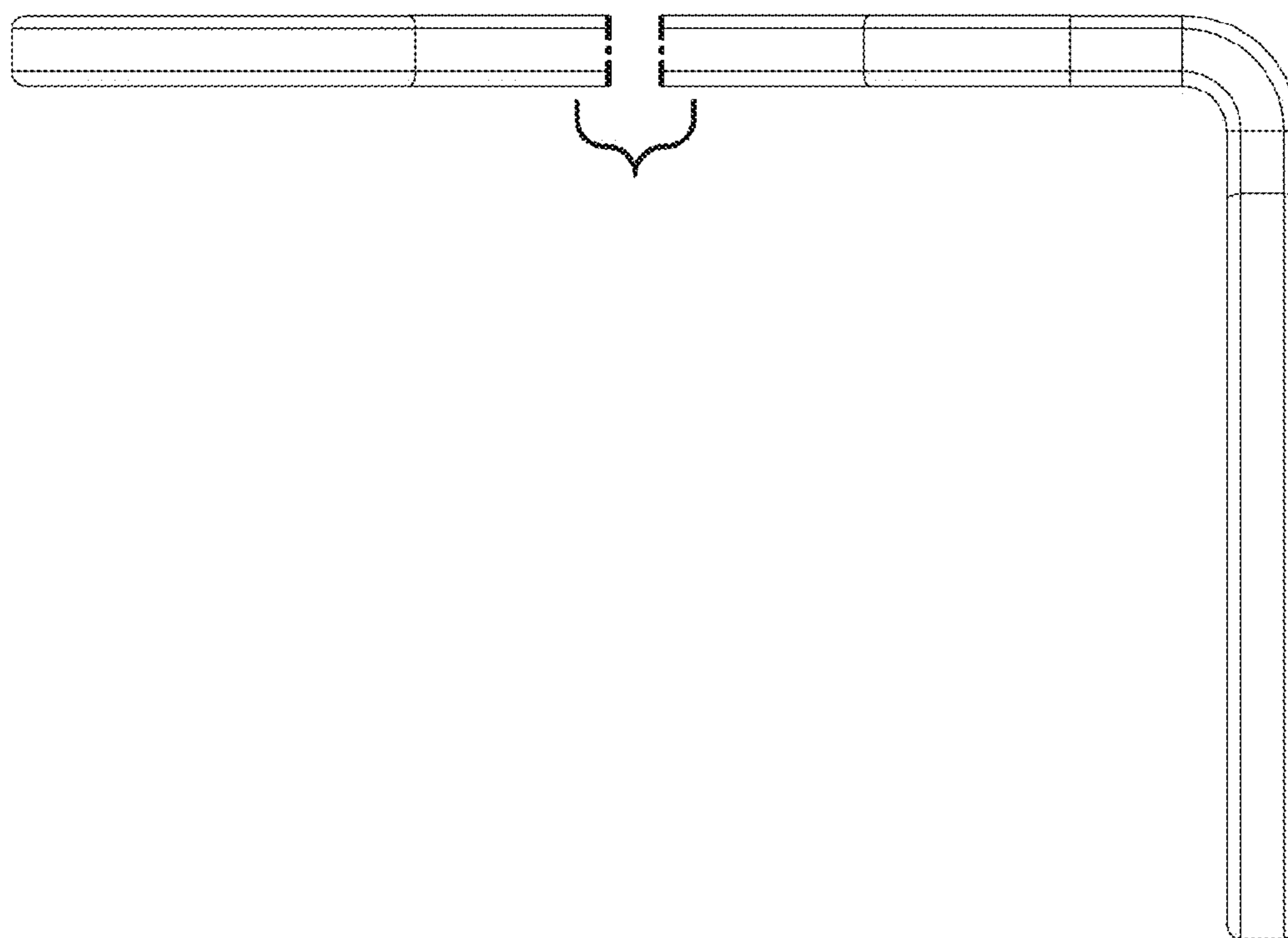


FIG. 8

