



US00D912362S

(12) **United States Design Patent**  
**Foster**

(10) **Patent No.:** **US D912,362 S**  
(45) **Date of Patent:** **\*\* Mar. 2, 2021**

(54) **LIFT MECHANISM**

(71) Applicant: **Portway Design LLP**, Salisbury (GB)

(72) Inventor: **John Gerard Foster**, Salisbury (GB)

(73) Assignee: **Portway Design LLP**, Salisbury (GB)

(\*\*) Term: **15 Years**

(21) Appl. No.: **29/698,974**

(22) Filed: **Jul. 22, 2019**

(51) **LOC (13) Cl.** ..... **12-05**

(52) **U.S. Cl.**  
USPC ..... **D34/28**

(58) **Field of Classification Search**

USPC ..... D8/333, 358, 359, 360; D34/1, 2, 3, 4,  
D34/5, 6, 7, 8, 9, 10, 11

CPC ..... B66F 1/00; B66F 3/24; B66F 3/44; B66F  
3/42; B66F 5/00; B66F 5/02; B66F 5/04

See application file for complete search history.

(56) **References Cited**

**U.S. PATENT DOCUMENTS**

D303,349 S *	9/1989	Weinerman	.....	D8/331
D672,523 S *	12/2012	Taylor	.....	D34/28
D710,671 S *	8/2014	Gonzalez	.....	D8/105
10,450,020 B2 *	10/2019	Shankman	.....	B62H 5/006
2010/0144213 A1 *	6/2010	Lin	.....	H01R 12/707 439/744
2010/0202730 A1 *	8/2010	Farnan	.....	G02B 6/32 385/25
2012/0061502 A1 *	3/2012	Chen	.....	E06B 9/322 242/372

\* cited by examiner

*Primary Examiner* — George A Bugg

*Assistant Examiner* — Tamara L Hahn

(74) *Attorney, Agent, or Firm* — Pitts & Lake, P.C.

(57) **CLAIM**

I claim the ornamental design for a lift mechanism, as shown and described.

**DESCRIPTION**

FIG. 1 is a perspective view of the design of the present invention for a lift mechanism, shown in a first configuration;

FIG. 2 is a lower perspective view of the lift mechanism of FIG. 1;

FIG. 3 is a top elevation view of the lift mechanism of FIG. 1;

FIG. 4 is a bottom elevation view of the lift mechanism of FIG. 1;

FIG. 5 is a left elevation view of the lift mechanism of FIG. 1;

FIG. 6 is a front elevation view of the lift mechanism of FIG. 1;

FIG. 7 is a rear elevation view of the lift mechanism of FIG. 1;

FIG. 8 is a right elevation view of the lift mechanism of FIG. 1;

FIG. 9 is a perspective view of the design of the lift mechanism of FIG. 1, showing the lift mechanism in a second configuration;

FIG. 10 is a lower perspective view of the lift mechanism of FIG. 9;

FIG. 11 is a top elevation view of the lift mechanism of FIG. 9;

FIG. 12 is a bottom elevation view of the lift mechanism of FIG. 9;

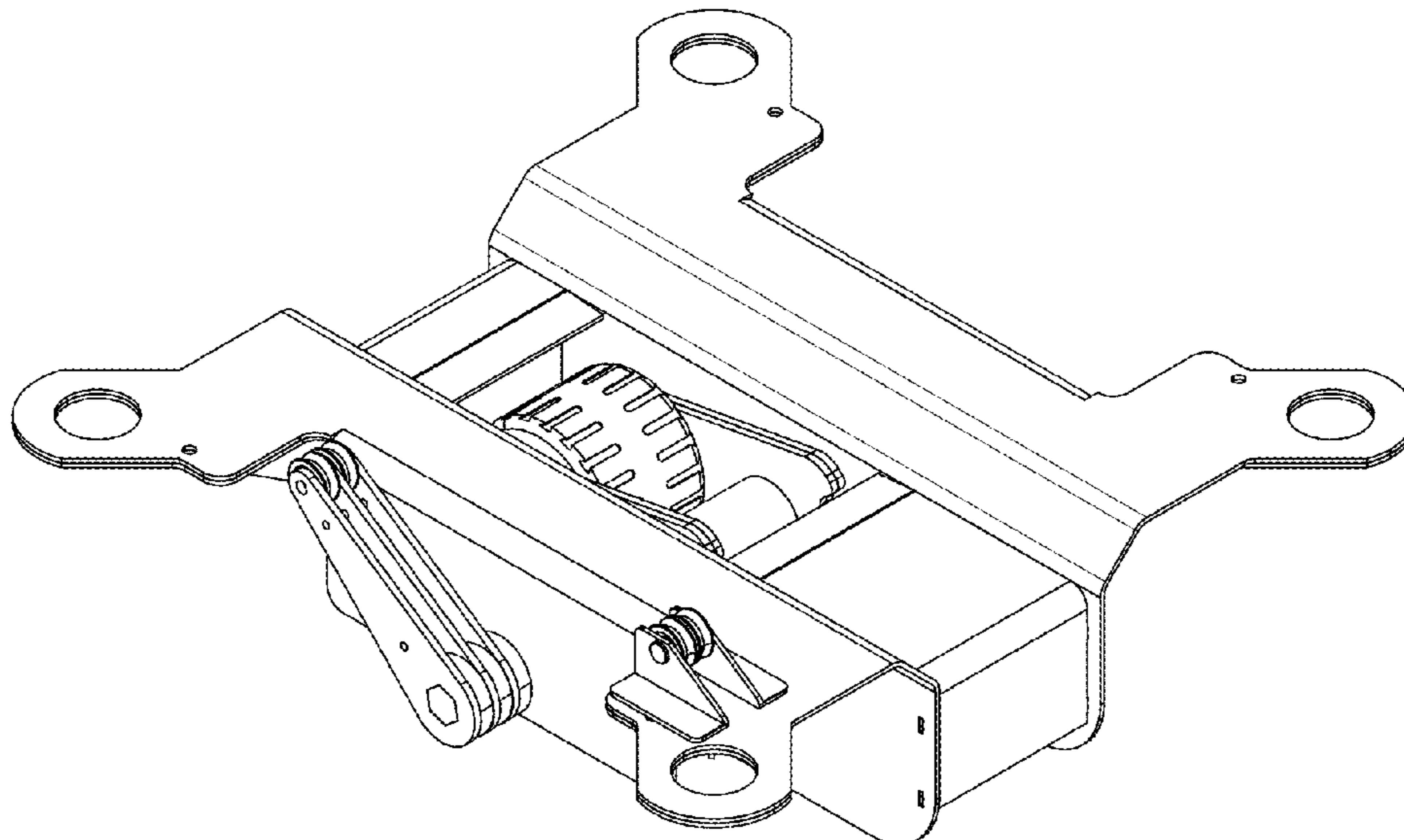
FIG. 13 is a left elevation view of the lift mechanism of FIG. 9;

FIG. 14 is a front elevation view of the lift mechanism of FIG. 9;

FIG. 15 is a rear elevation view of the lift mechanism of FIG. 9; and,

FIG. 16 is a right elevation view of the lift mechanism of FIG. 9.

**1 Claim, 6 Drawing Sheets**



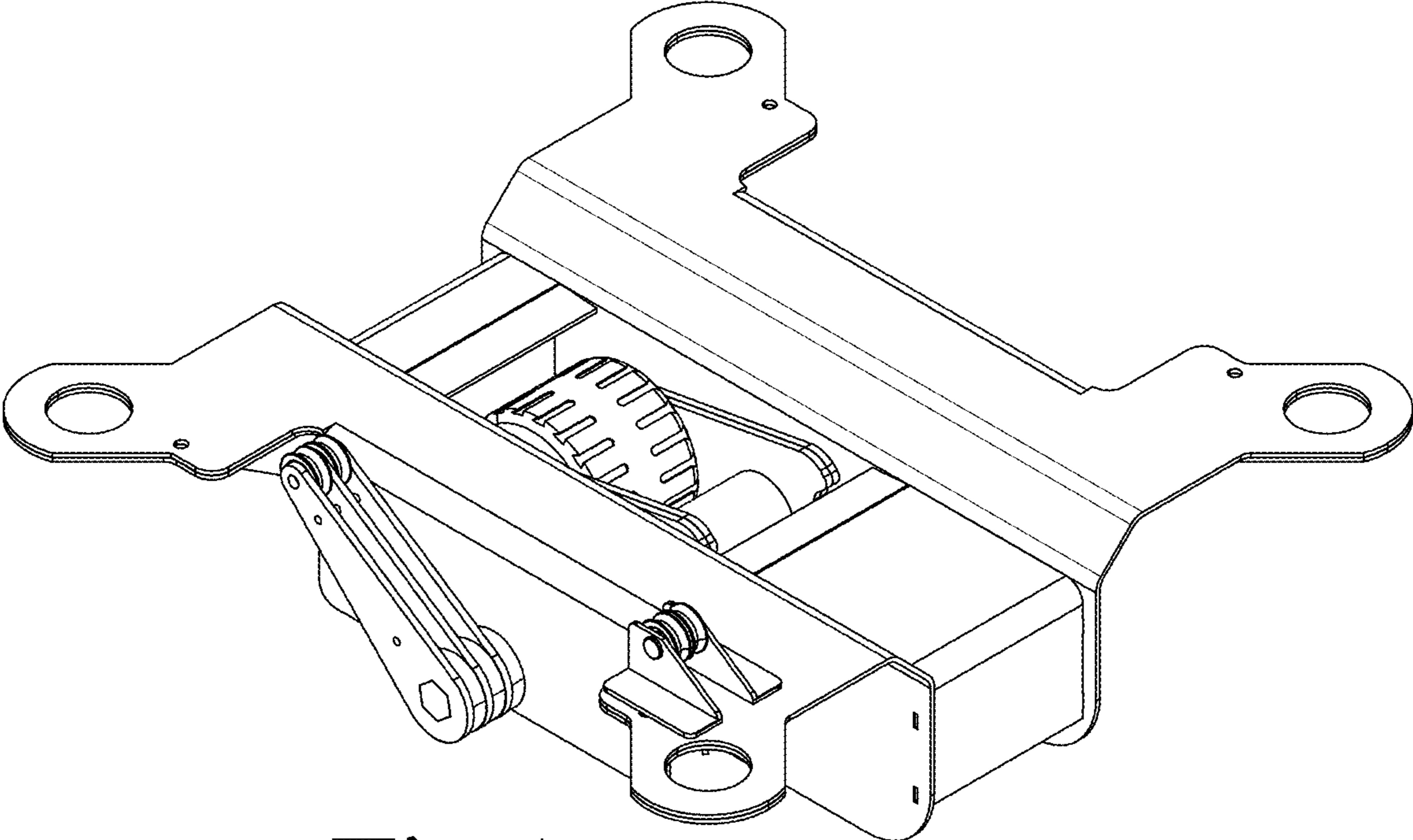


Fig. 1

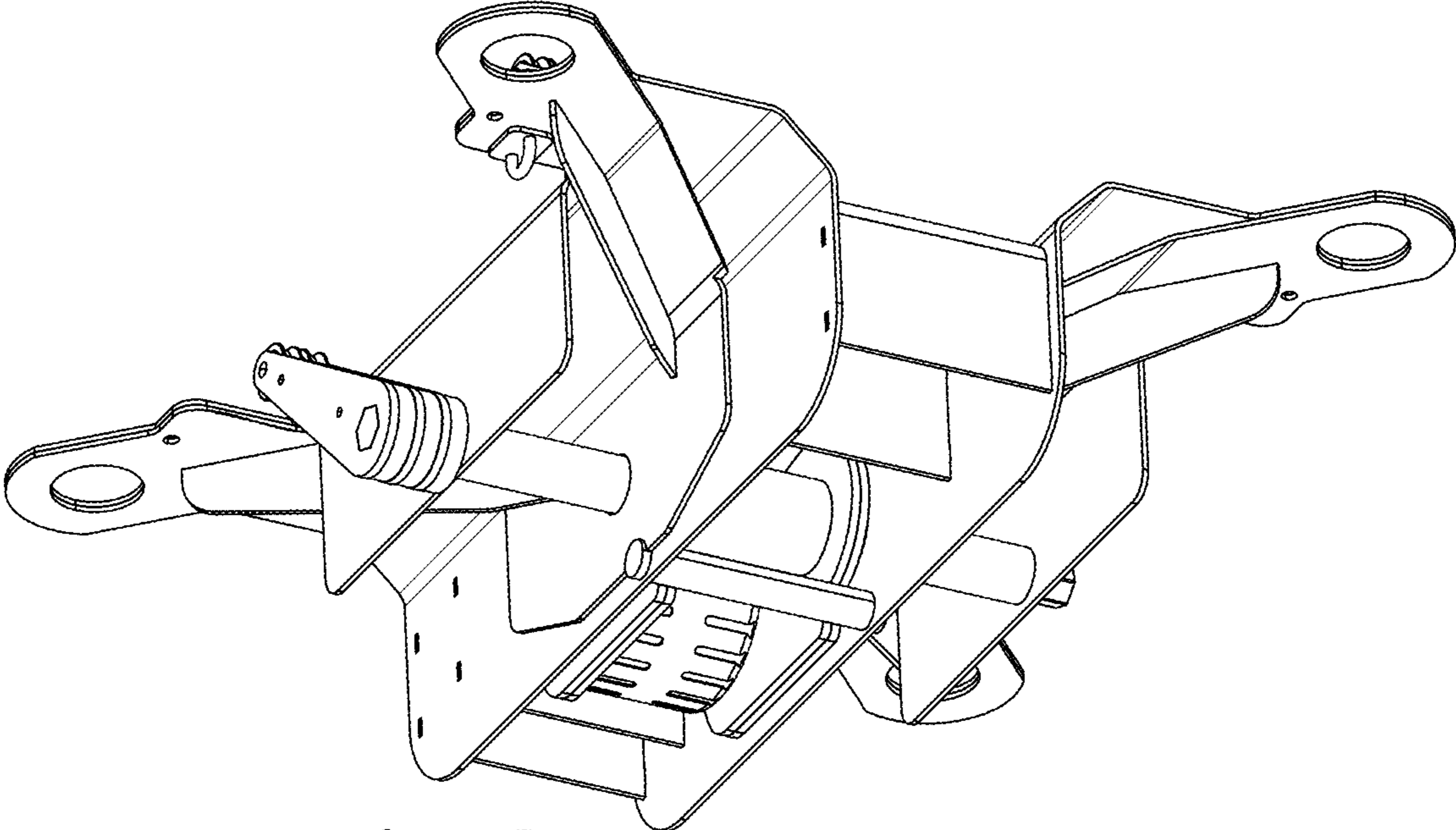


Fig. 2

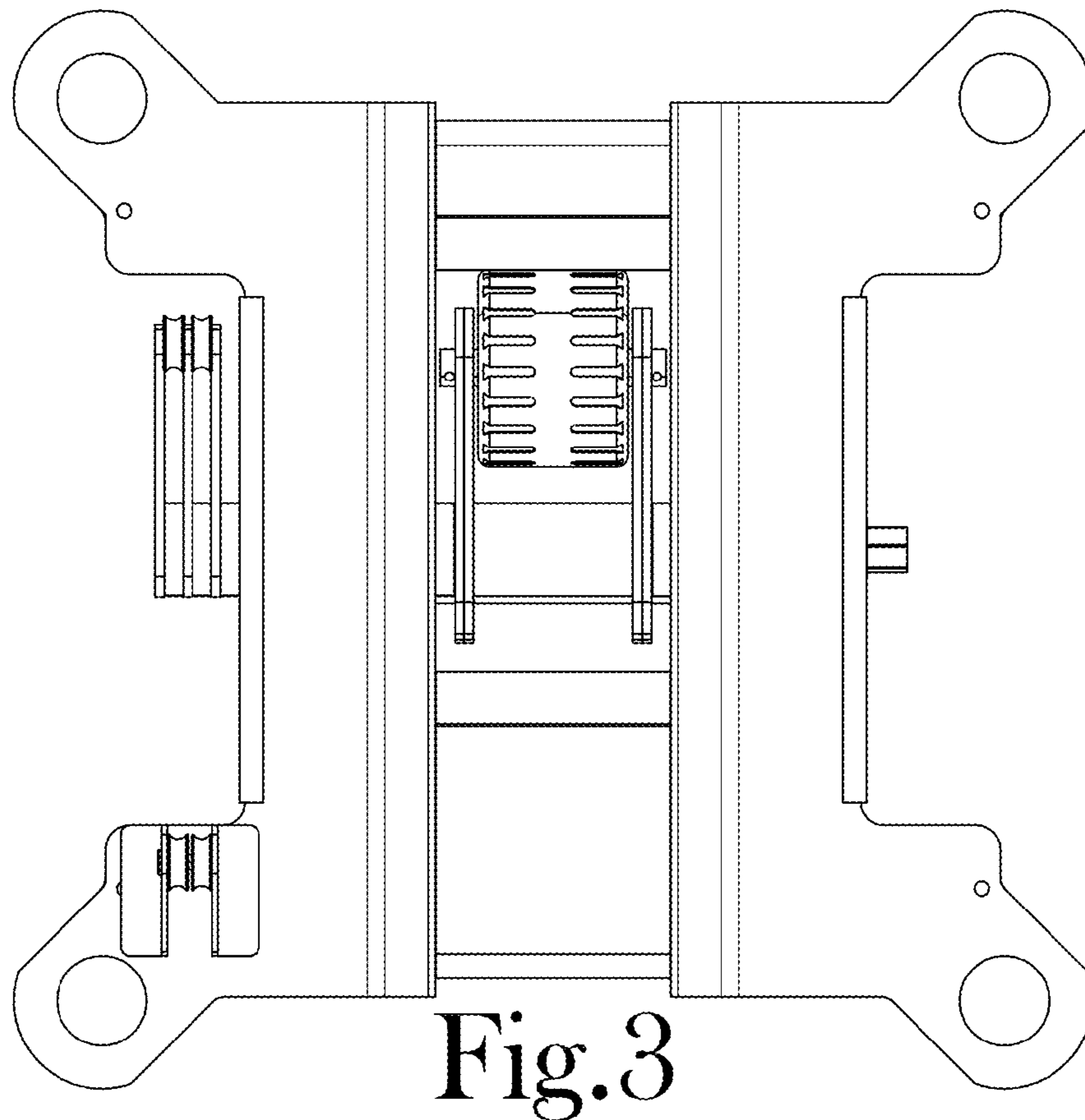


Fig. 3

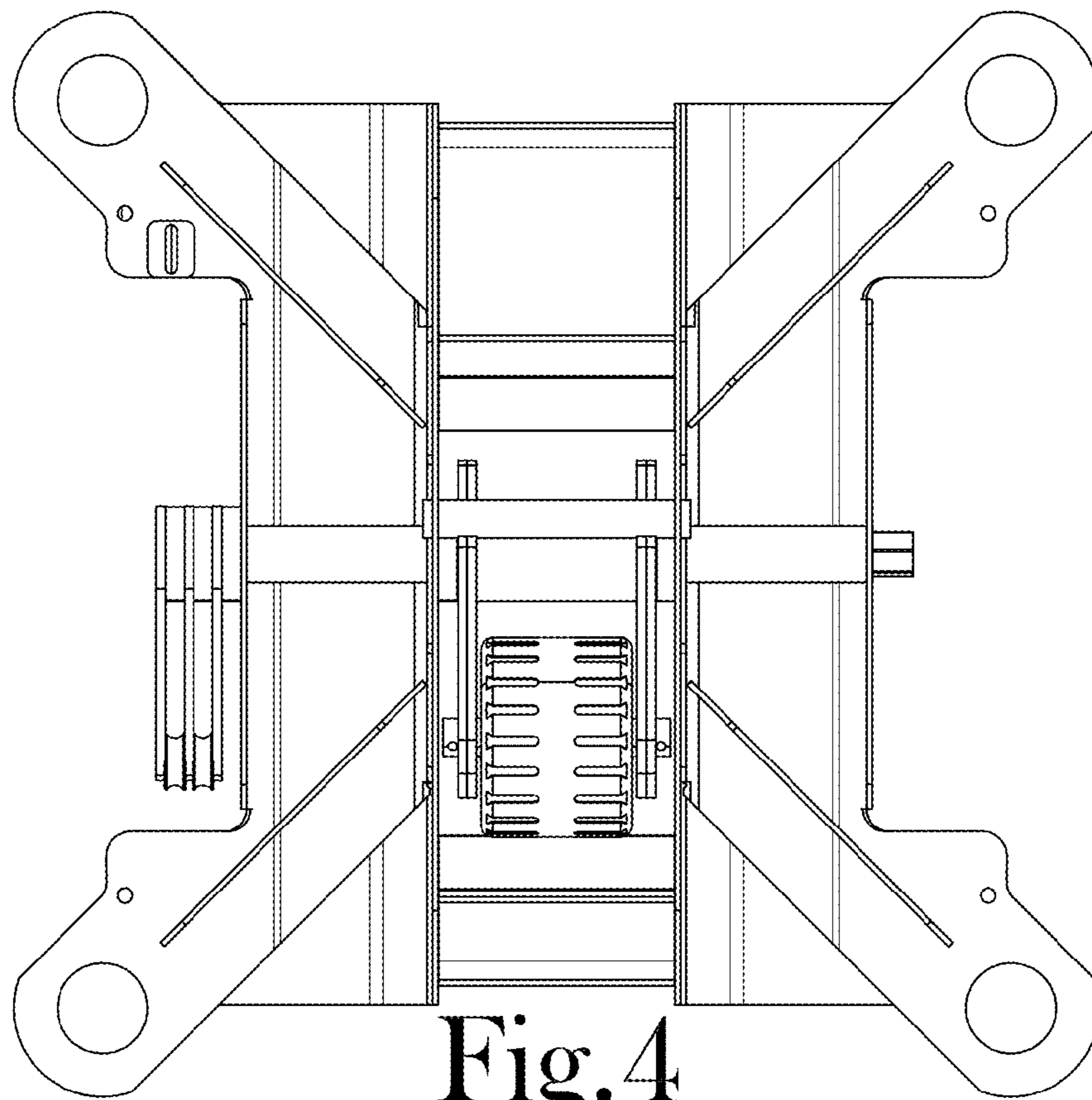


Fig. 4

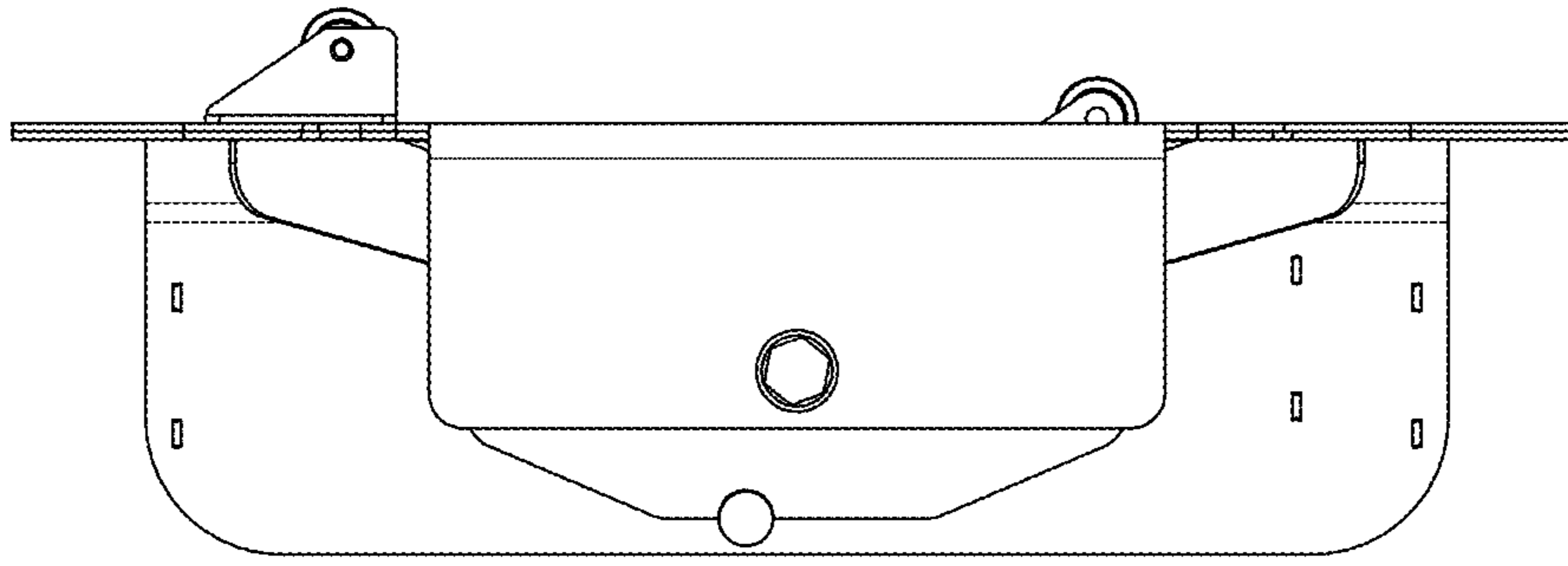


Fig. 5

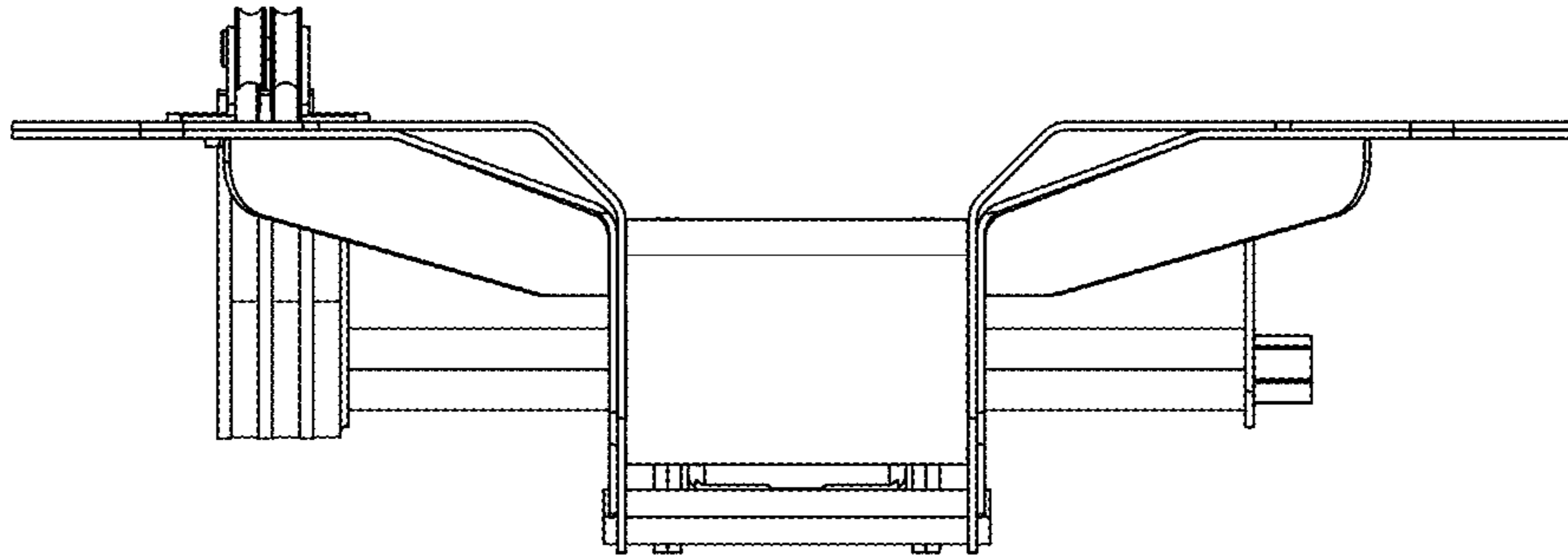


Fig. 6

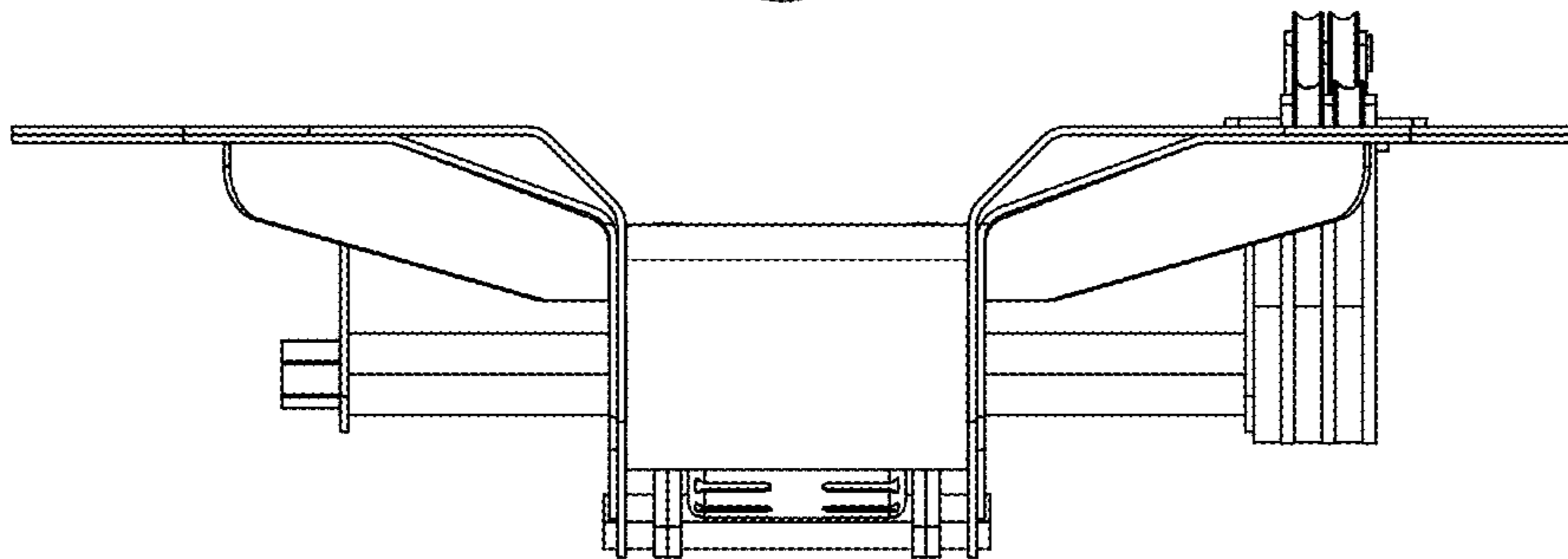


Fig. 7

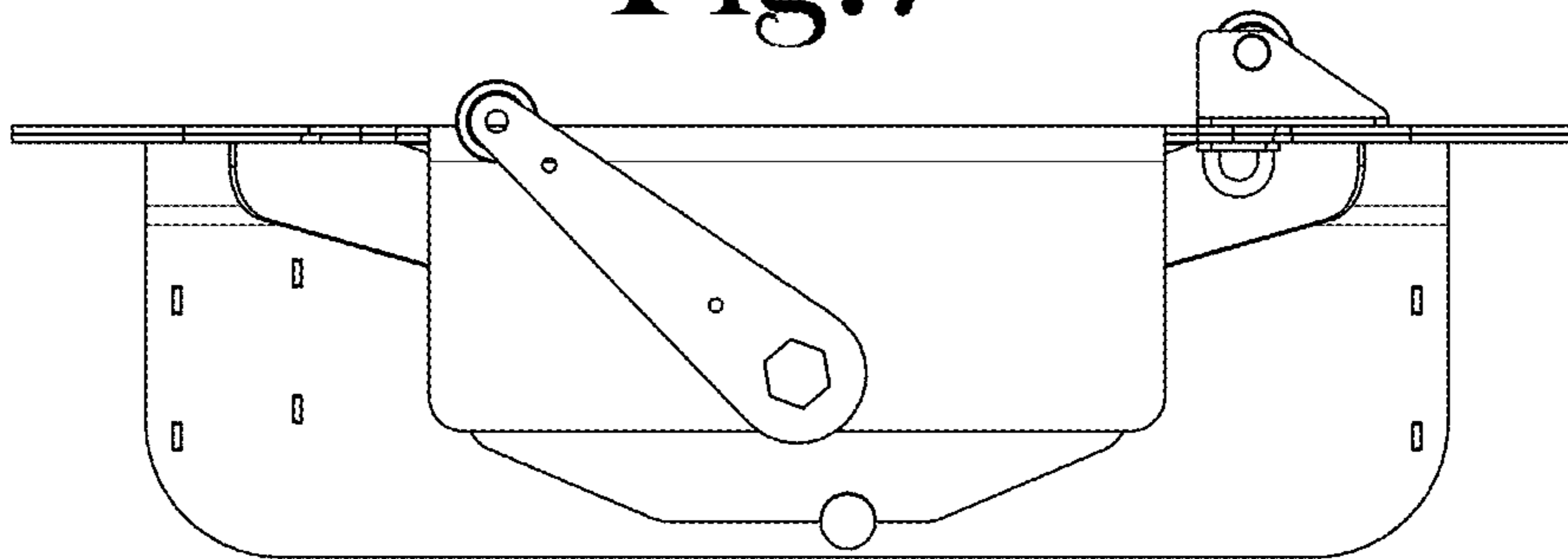


Fig. 8

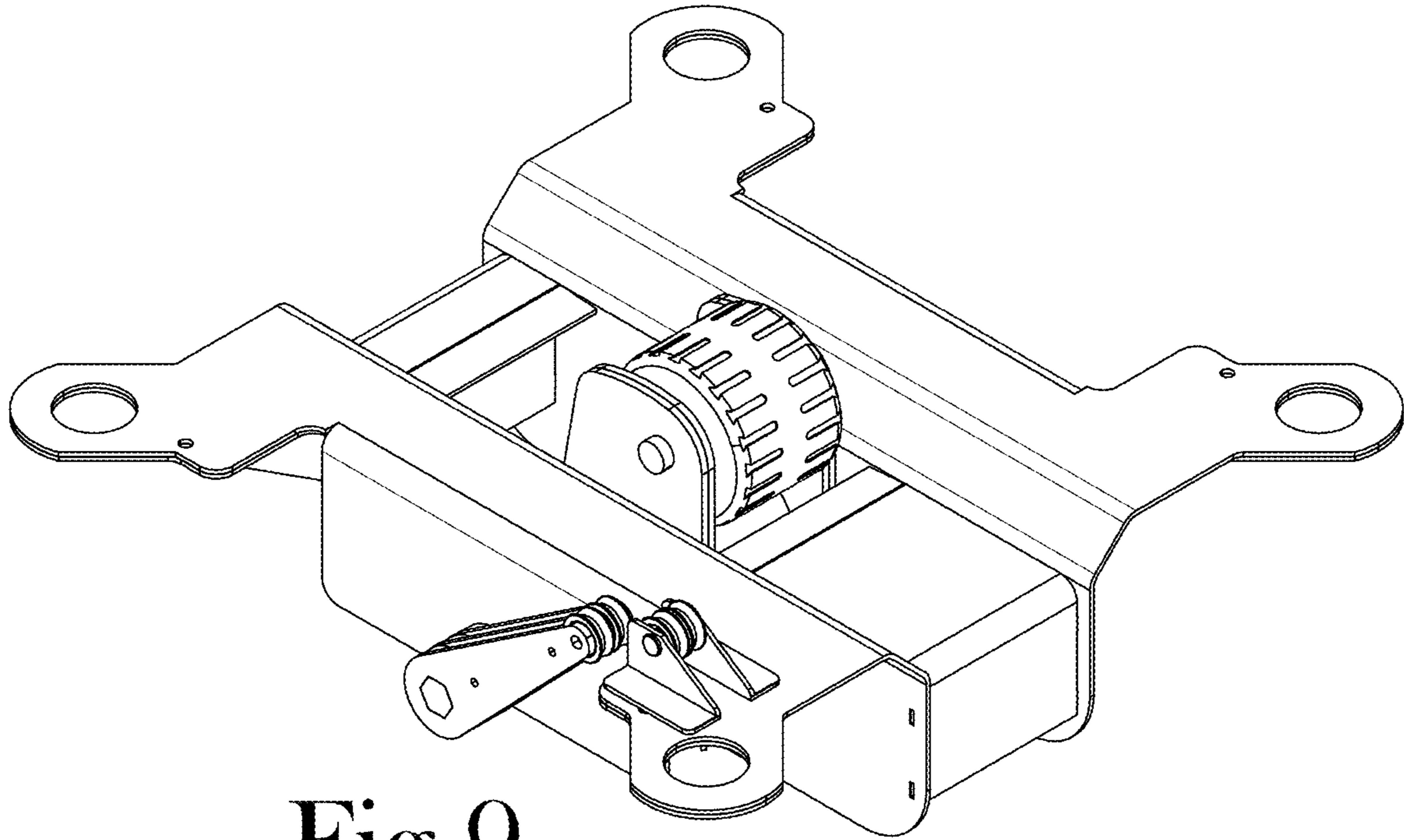


Fig. 9

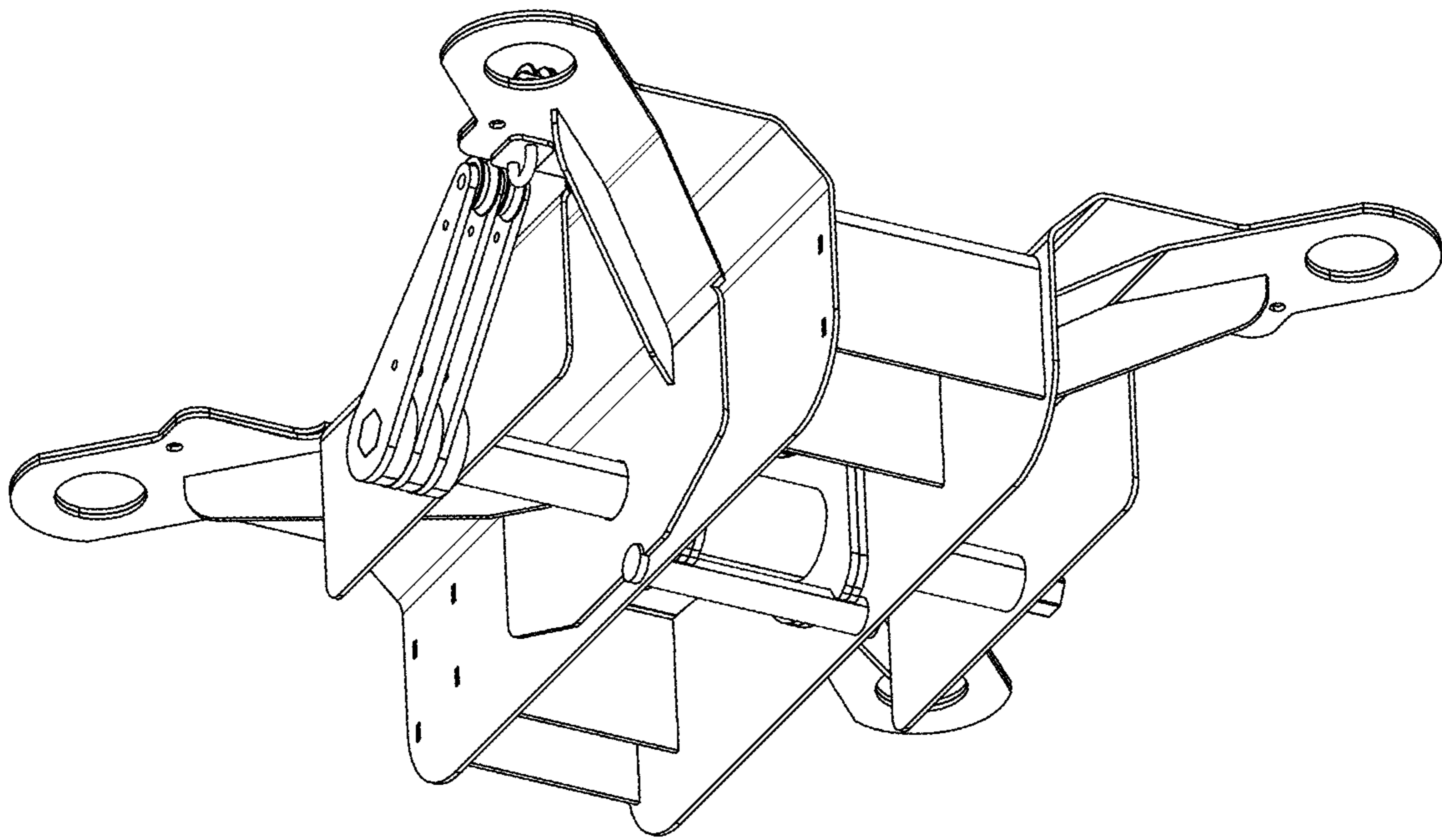


Fig. 10

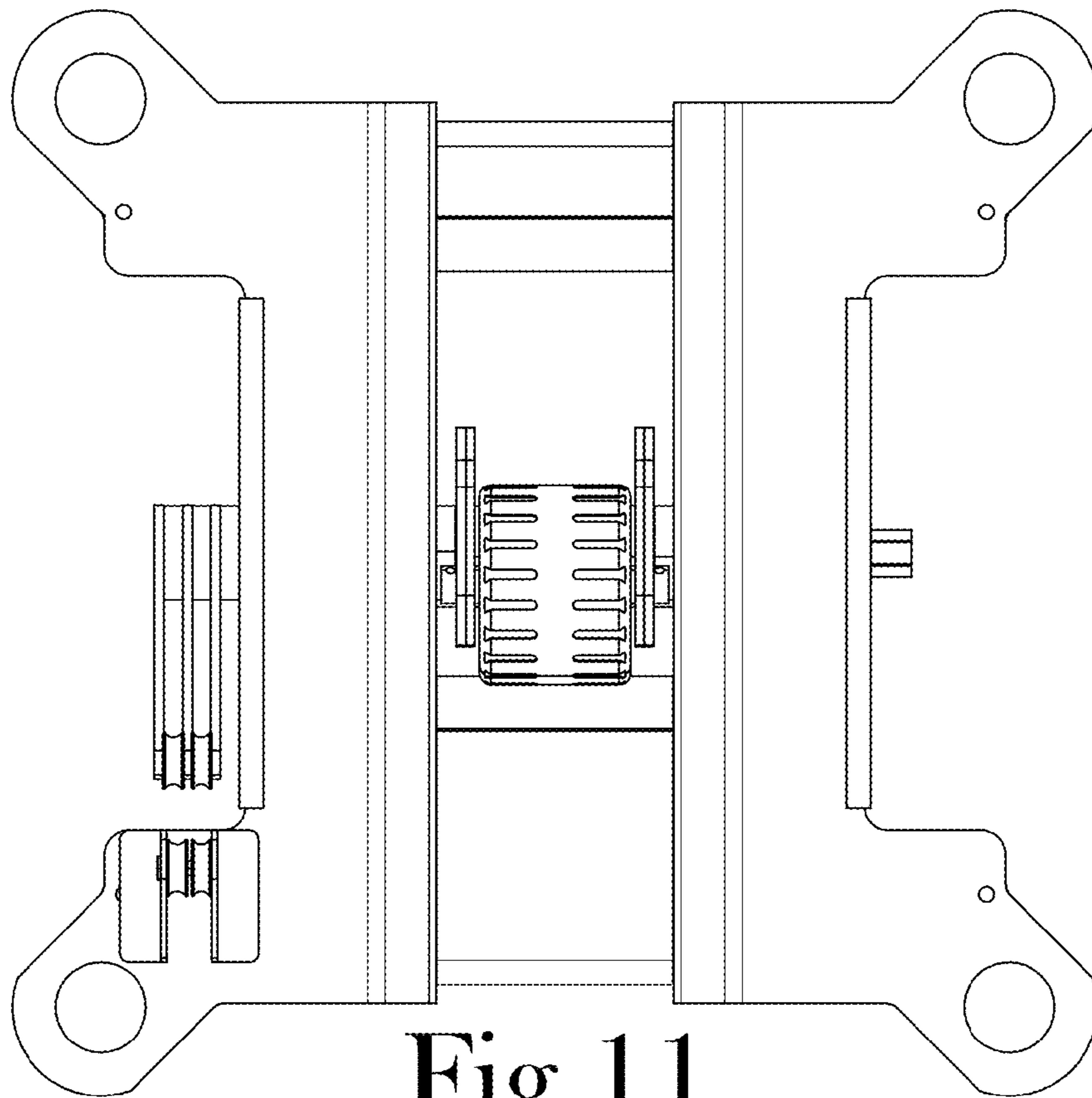


Fig. 11

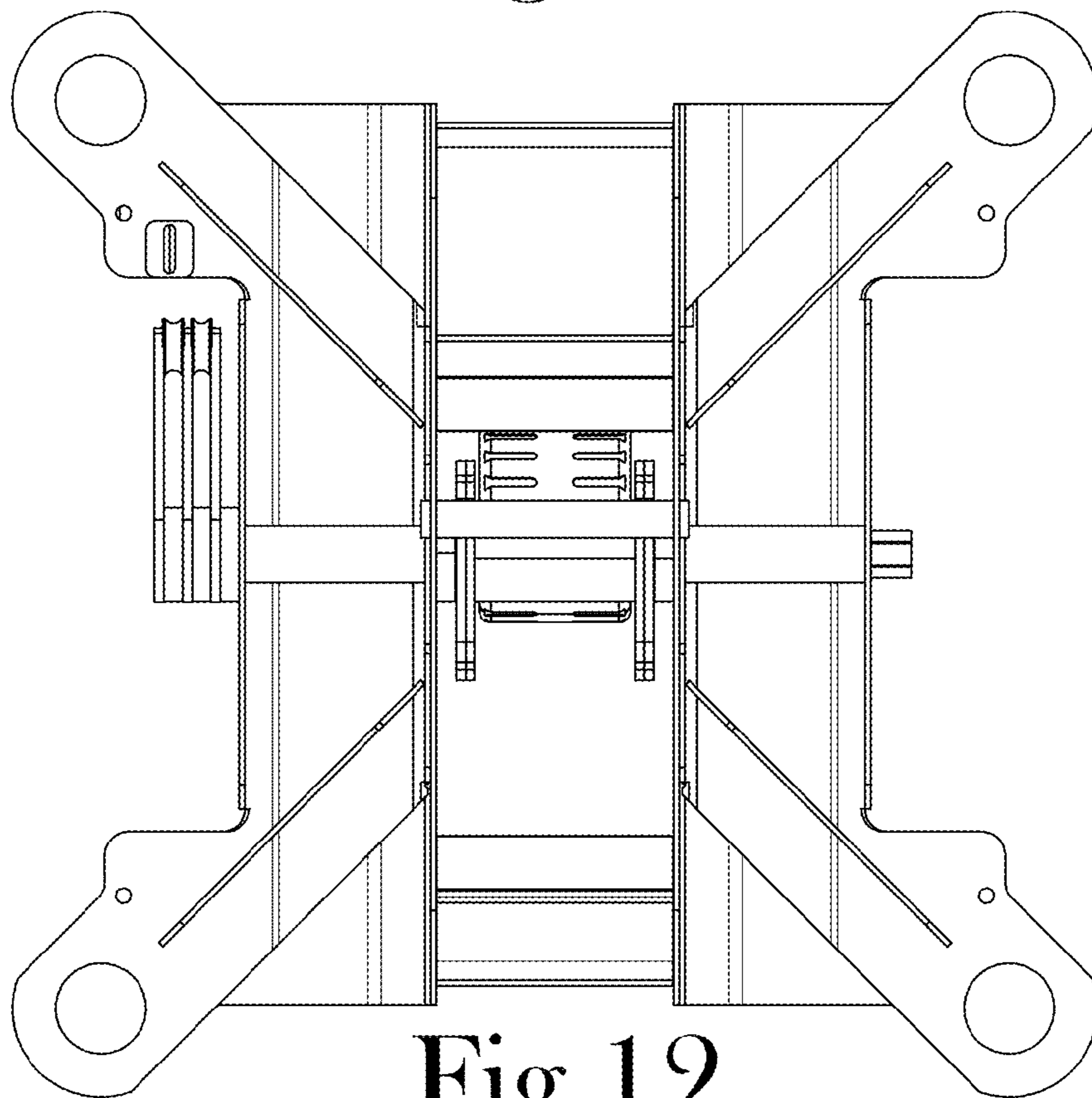


Fig. 12

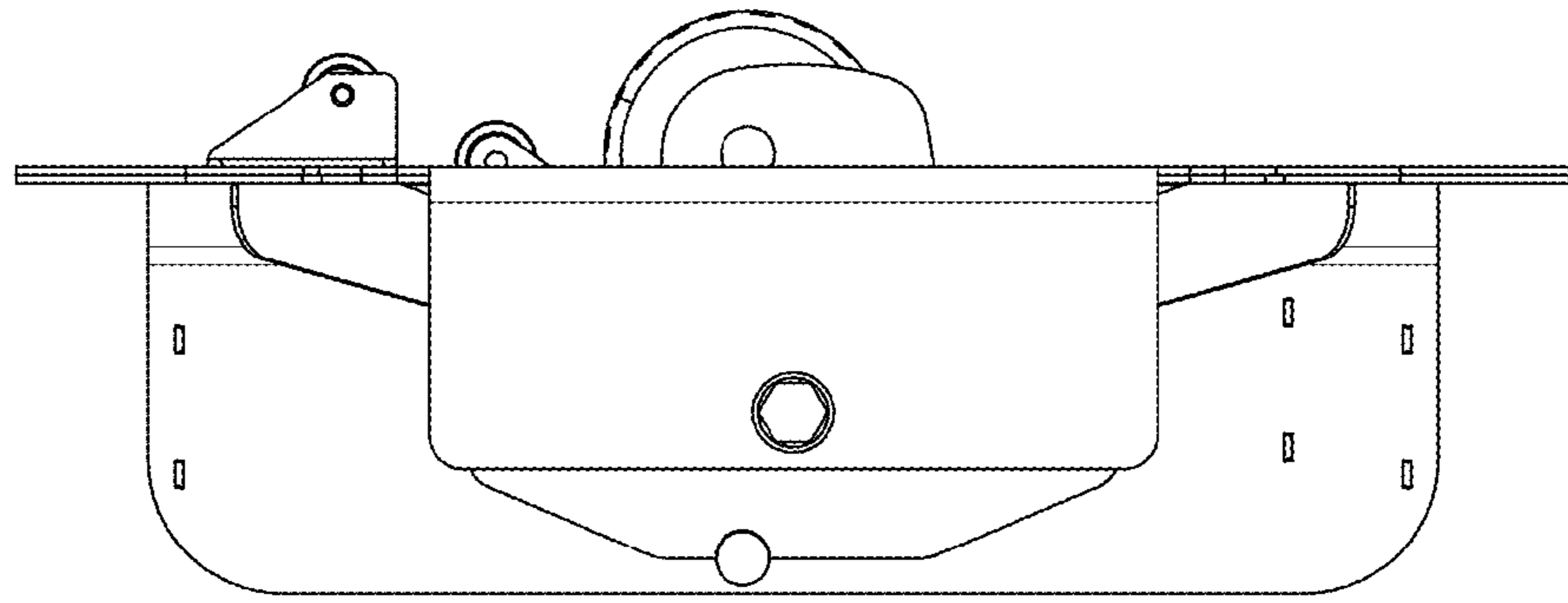


Fig. 13

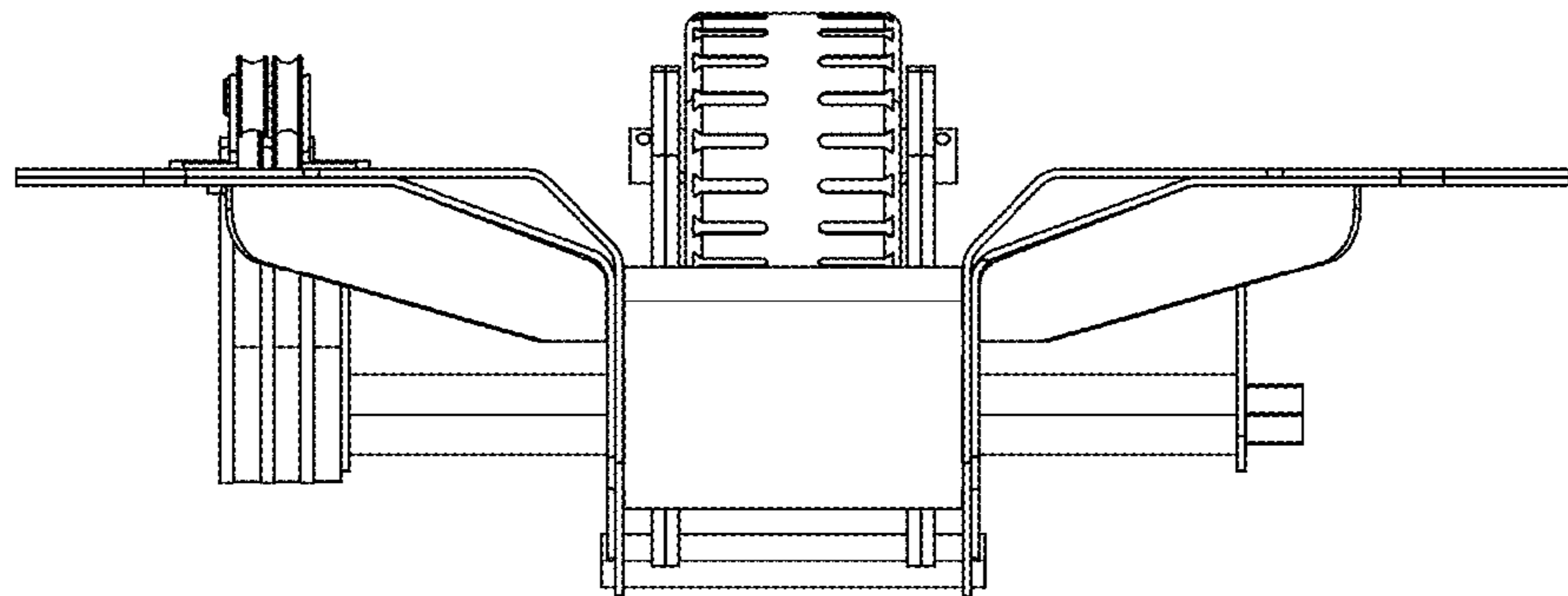


Fig. 14

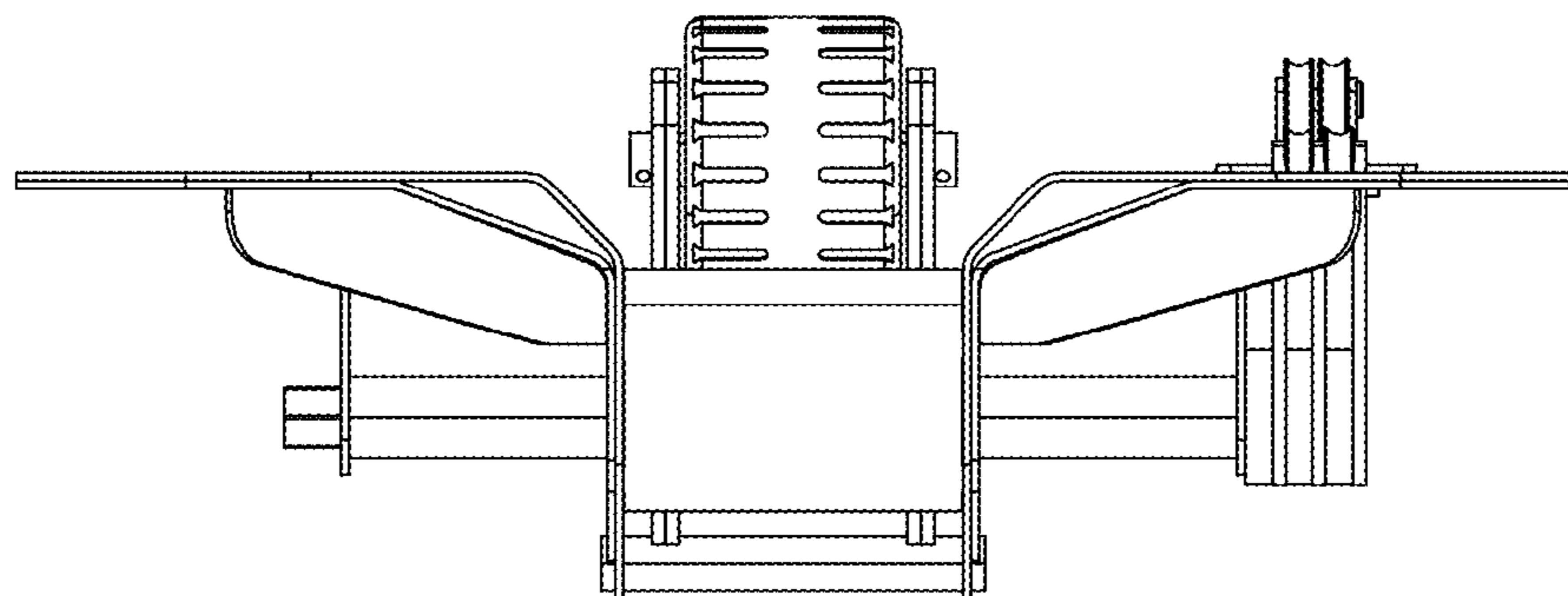


Fig. 15

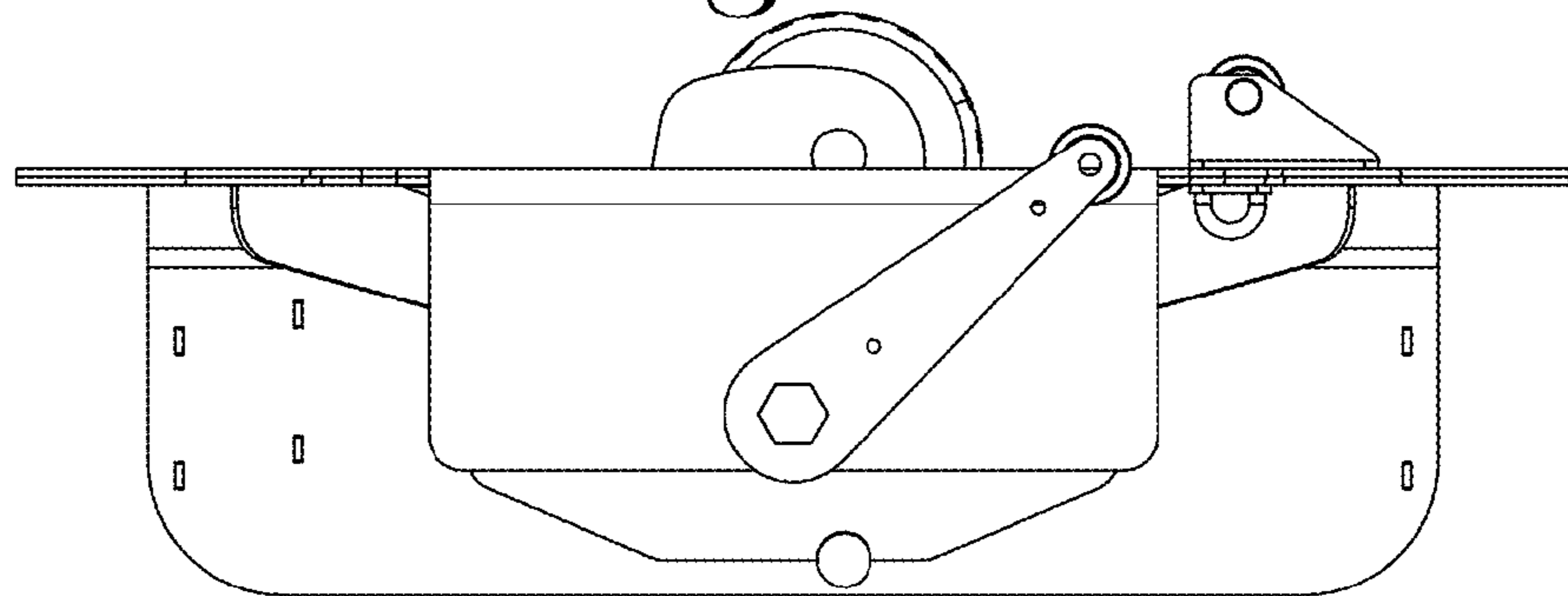


Fig. 16