



US00D912361S

(12) **United States Design Patent**
Jorgensen

(10) **Patent No.:** **US D912,361 S**
(45) **Date of Patent:** **** Mar. 2, 2021**

(54) **DIESEL PARTICULATE FILTER LIFT**

FOREIGN PATENT DOCUMENTS

(71) Applicant: **Shinn Fu Company of America, Inc.**,
Kansas City, MO (US)

CN 305877037 * 10/2019

(72) Inventor: **Ryan A. Jorgensen**, Blue Springs, MO
(US)

OTHER PUBLICATIONS

(73) Assignee: **Shinn Fu Company of America, Inc.**,
Kansas, MO (US)

DPF Handler, announced 2020 [online], [site visited Oct. 28, 2020].
Available from internet, URL: <https://www.aftermarket.com.au/dpf-step-housing-handler/> (Year: 2020).*

(Continued)

(**) Term: **15 Years**

Primary Examiner — George A Bugg

(21) Appl. No.: **29/688,983**

Assistant Examiner — Tamara L Hahn

(22) Filed: **Apr. 25, 2019**

(74) *Attorney, Agent, or Firm* — Christensen O'Connor
Johnson Kindness, PLLC

(51) **LOC (13) Cl.** **12-05**

(57) **CLAIM**

(52) **U.S. Cl.**

The ornamental design for the diesel particulate filter lift, as
shown.

USPC **D34/28**

(58) **Field of Classification Search**

DESCRIPTION

USPC D34/28, 29, 30, 31, 32, 33, 34, 35, 36,
D34/37, 38; D25/119, 120, 122, 123,
D25/124, 125, 126

CPC B66F 1/00; B66F 3/24; B66F 3/44; B66F
3/42; B66F 5/00; B66F 5/02; B66F 5/04

See application file for complete search history.

FIG. 1 is a front, upper, right side view of a diesel particulate
filter lift in accordance with the present design;
FIG. 2 is a back, lower, right side view of the diesel
particulate filter lift shown in FIG. 1;
FIG. 3 is a back, upper, right side view of the diesel
particulate filter lift shown in FIG. 1;
FIG. 4 is a front, lower, right side view of the diesel
particulate filter lift shown in FIG. 1;
FIG. 5 is a top plan view of the diesel particulate filter lift
shown in FIG. 1;
FIG. 6 is a bottom plan view of the diesel particulate filter
lift shown in FIG. 1;
FIG. 7 is a front view of the diesel particulate filter lift
shown in FIG. 1;
FIG. 8 is a back view of the diesel particulate filter lift shown
in FIG. 1; and,
FIG. 9 is a right side view of the diesel particulate filter lift
shown in FIG. 1.

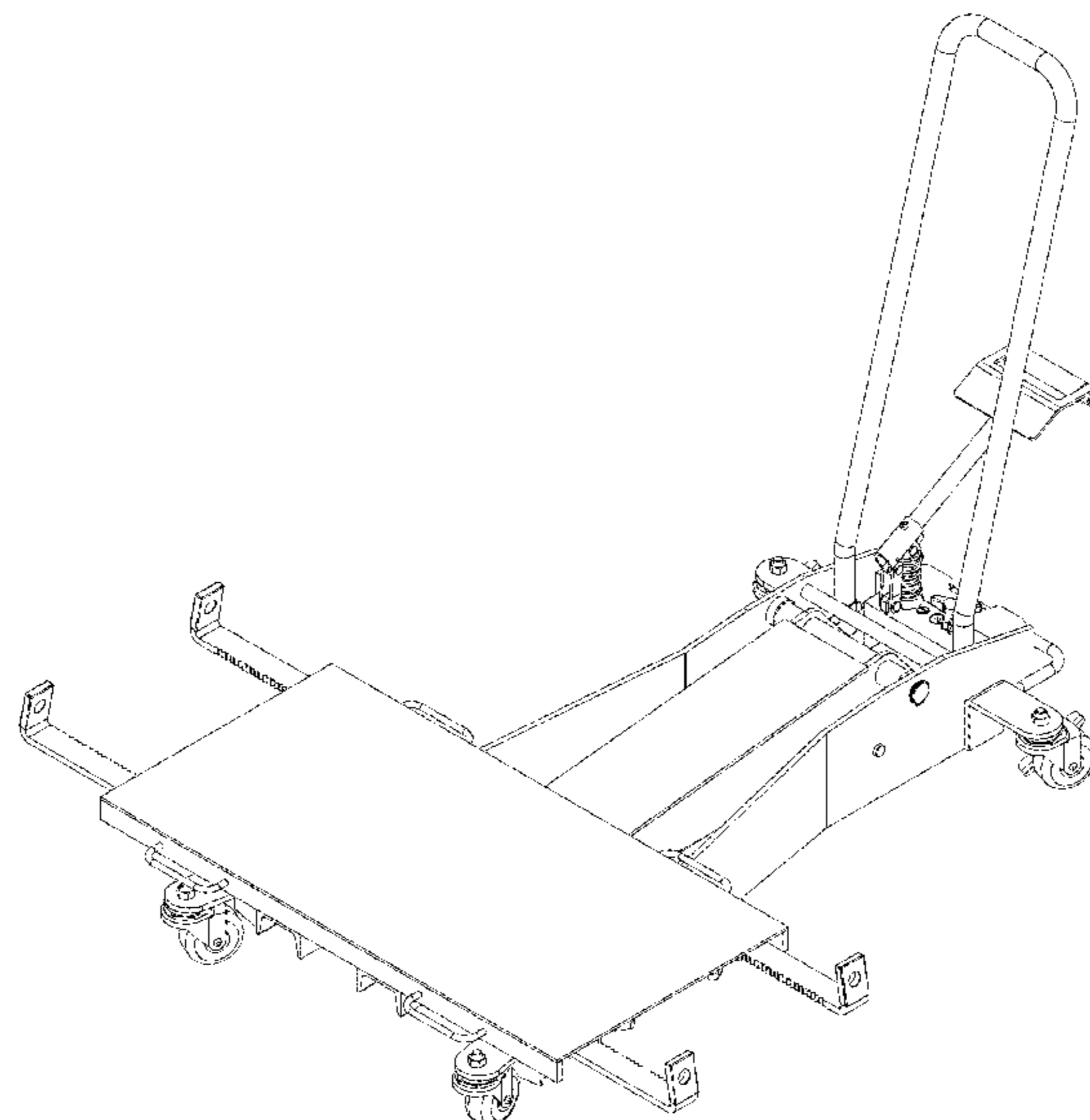
(56) **References Cited**

U.S. PATENT DOCUMENTS

D307,346 S *	4/1990	Kawana	D34/31
D307,498 S *	4/1990	Kawana	D34/31
6,347,786 B1	2/2002	Lai		
7,137,615 B2 *	11/2006	Ray, Jr.	B66F 5/04 254/10 B
D625,073 S	10/2010	Hernandez		
D665,553 S	8/2012	Zhou		
D672,523 S *	12/2012	Taylor	D34/28
8,469,338 B2 *	6/2013	Gann	B66F 3/30 254/1
D720,514 S *	12/2014	Fox	D34/31
D732,786 S	6/2015	Arzouman		

(Continued)

1 Claim, 8 Drawing Sheets



(56)

References Cited

U.S. PATENT DOCUMENTS

D737,537 S 8/2015 Arzouman
D874,781 S * 2/2020 Lin D34/31
D893,119 S * 8/2020 Fox D34/31
2002/0153514 A1 * 10/2002 Wixey B66F 5/04
254/8 B
2008/0101905 A1 * 5/2008 Morris B66B 9/0869
414/540
2012/0223281 A1 * 9/2012 Zhou B66F 3/36
254/93 R
2015/0122965 A1 * 5/2015 Arzouman B66F 5/04
248/423
2016/0107870 A1 * 4/2016 Taylor B66F 17/00
254/89 H
2018/0311091 A1 * 11/2018 Lykkegaard A61G 5/107
2019/0337780 A1 * 11/2019 Desormeau B66F 5/04

OTHER PUBLICATIONS

Unique Handler, announced 2020 [online], [site visited Oct. 28, 2020]. Available from internet, URL: <https://www.uniquetruck.com/product/14209/otc-horizontal-dpf-handler> (Year: 2020).*

Huang, S., et al., "Handle/Pedal for an Actuator," U.S. Appl. No. 29/685,963, filed Apr. 1, 2019, 4 pages.

* cited by examiner

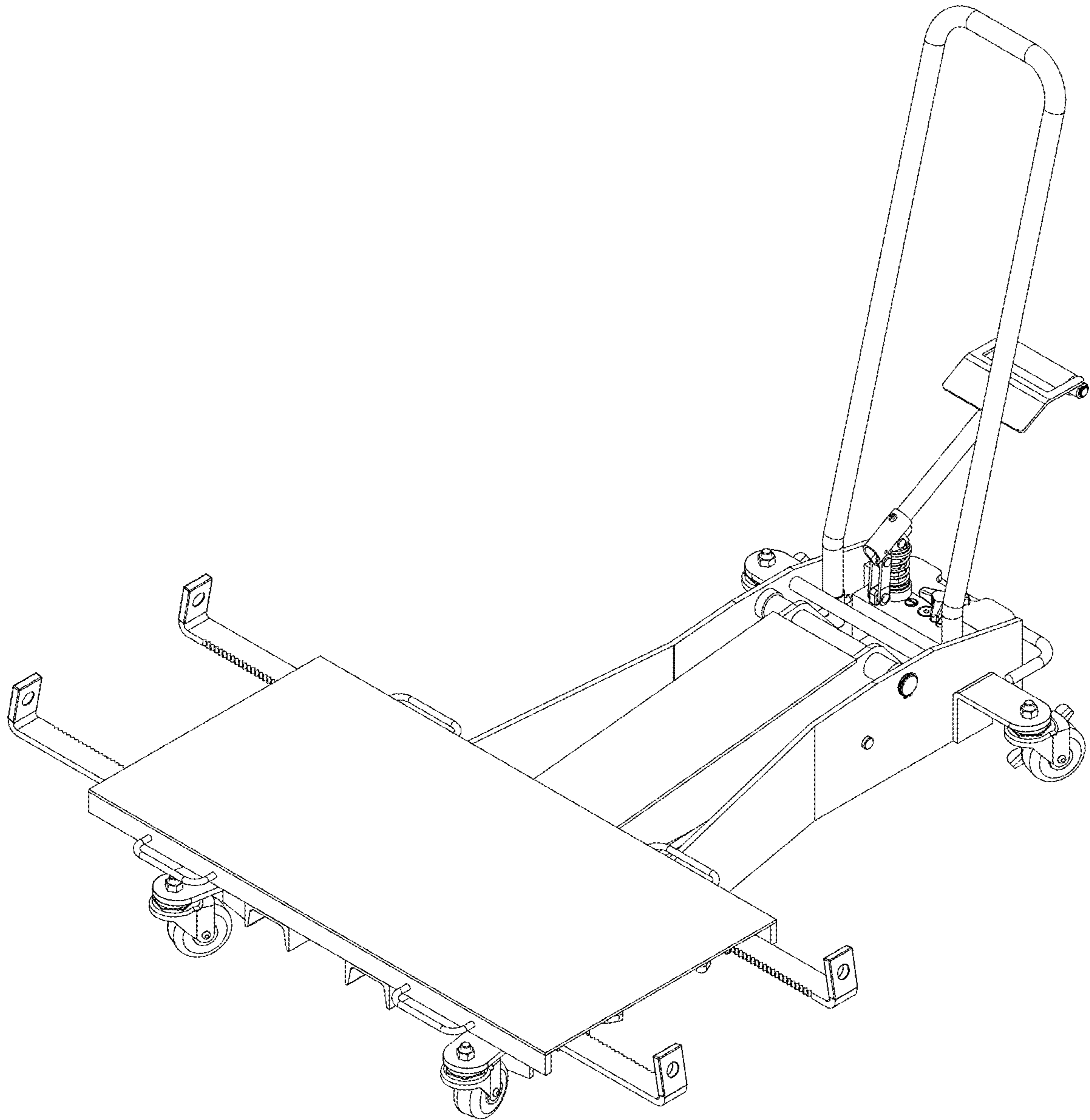


FIG. 1

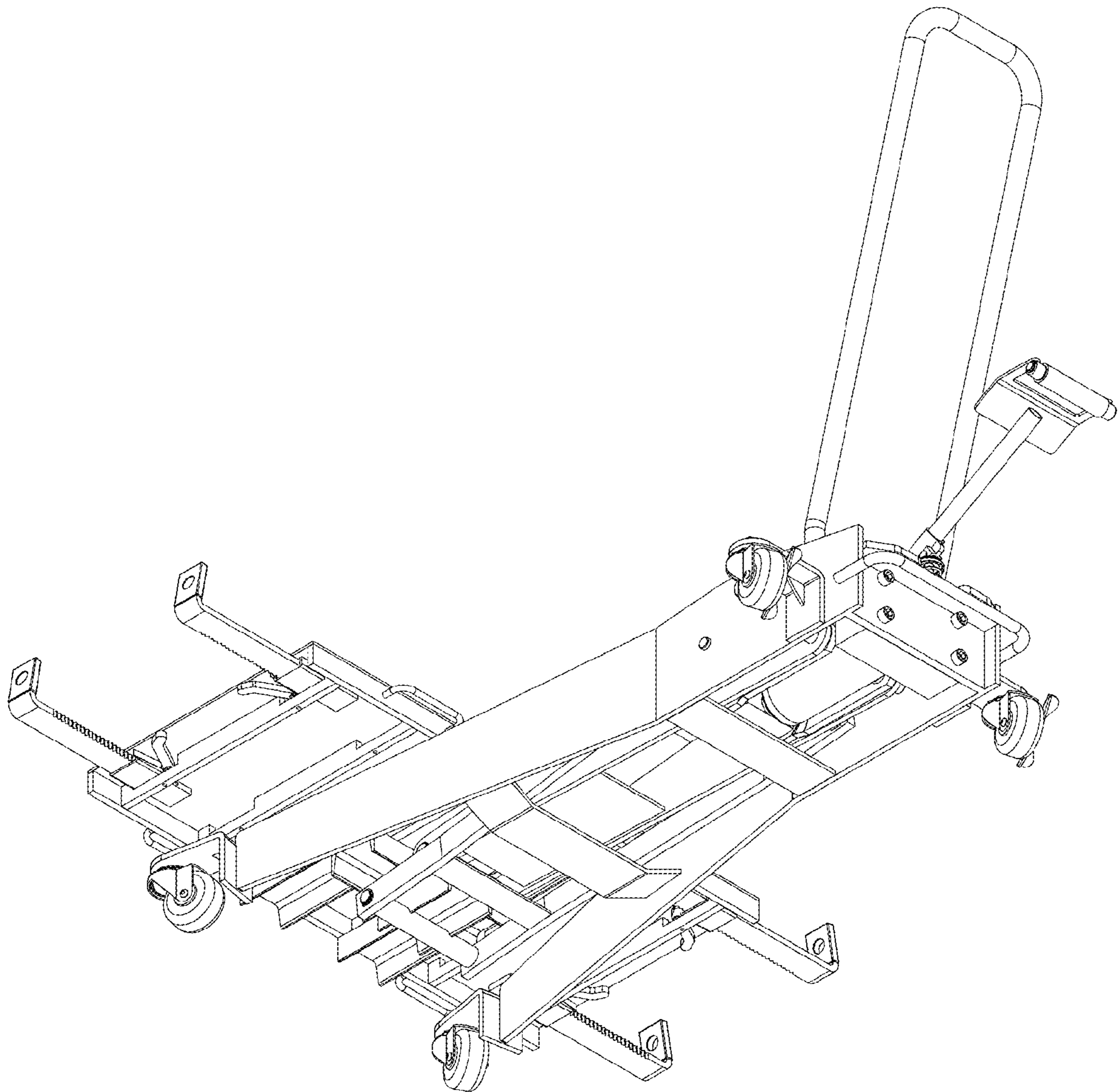


FIG. 2

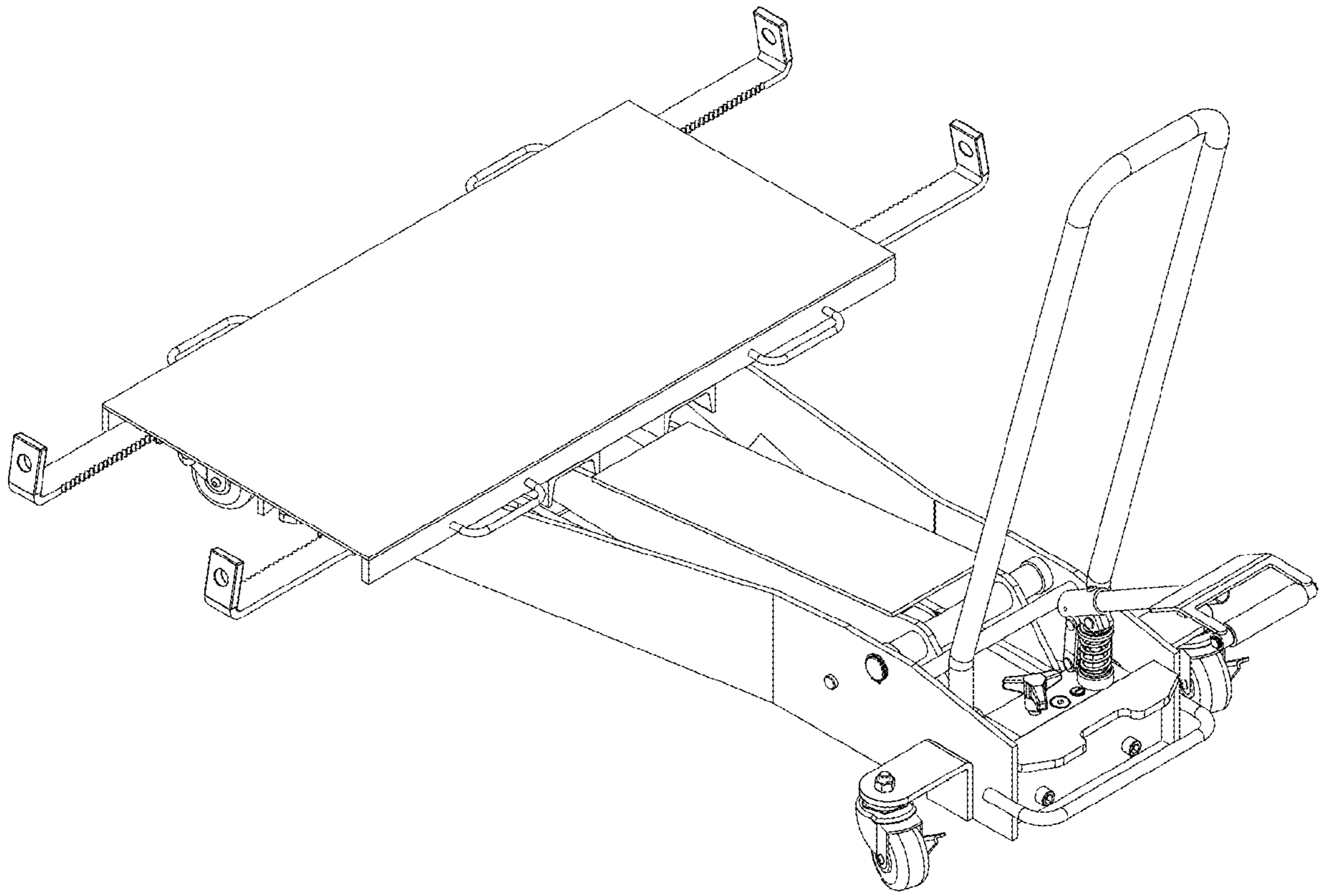


FIG. 3

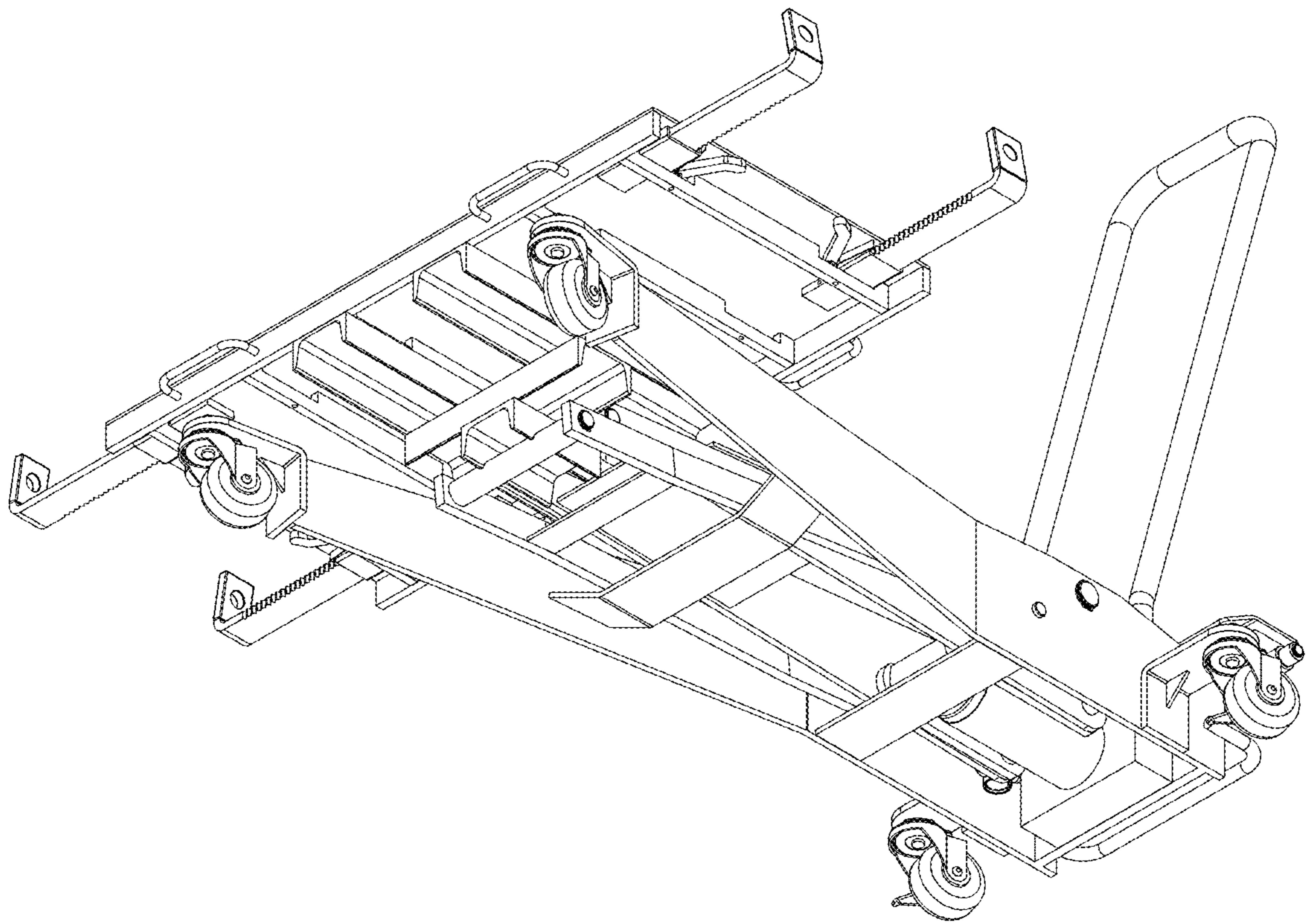


FIG. 4

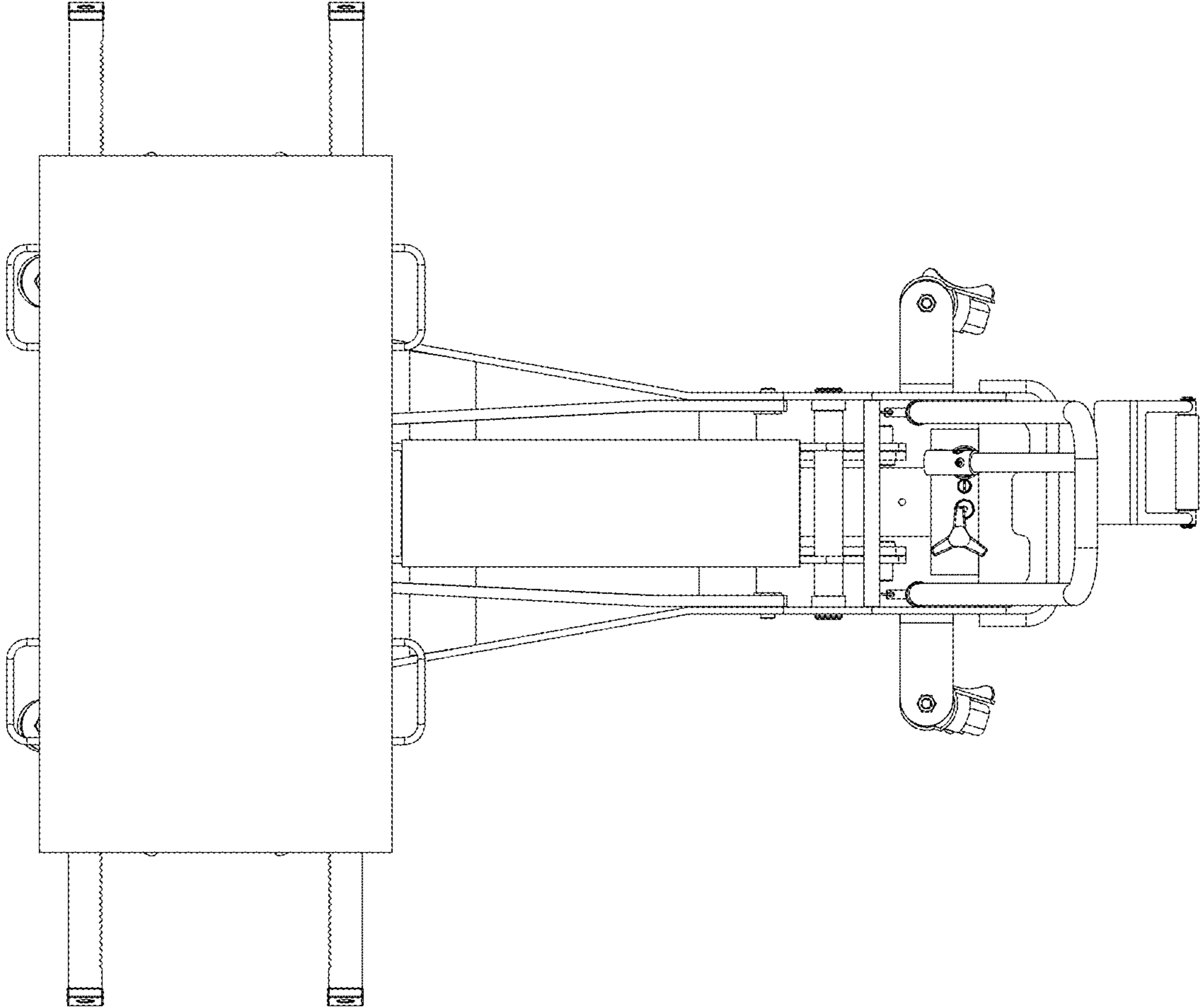


FIG. 5

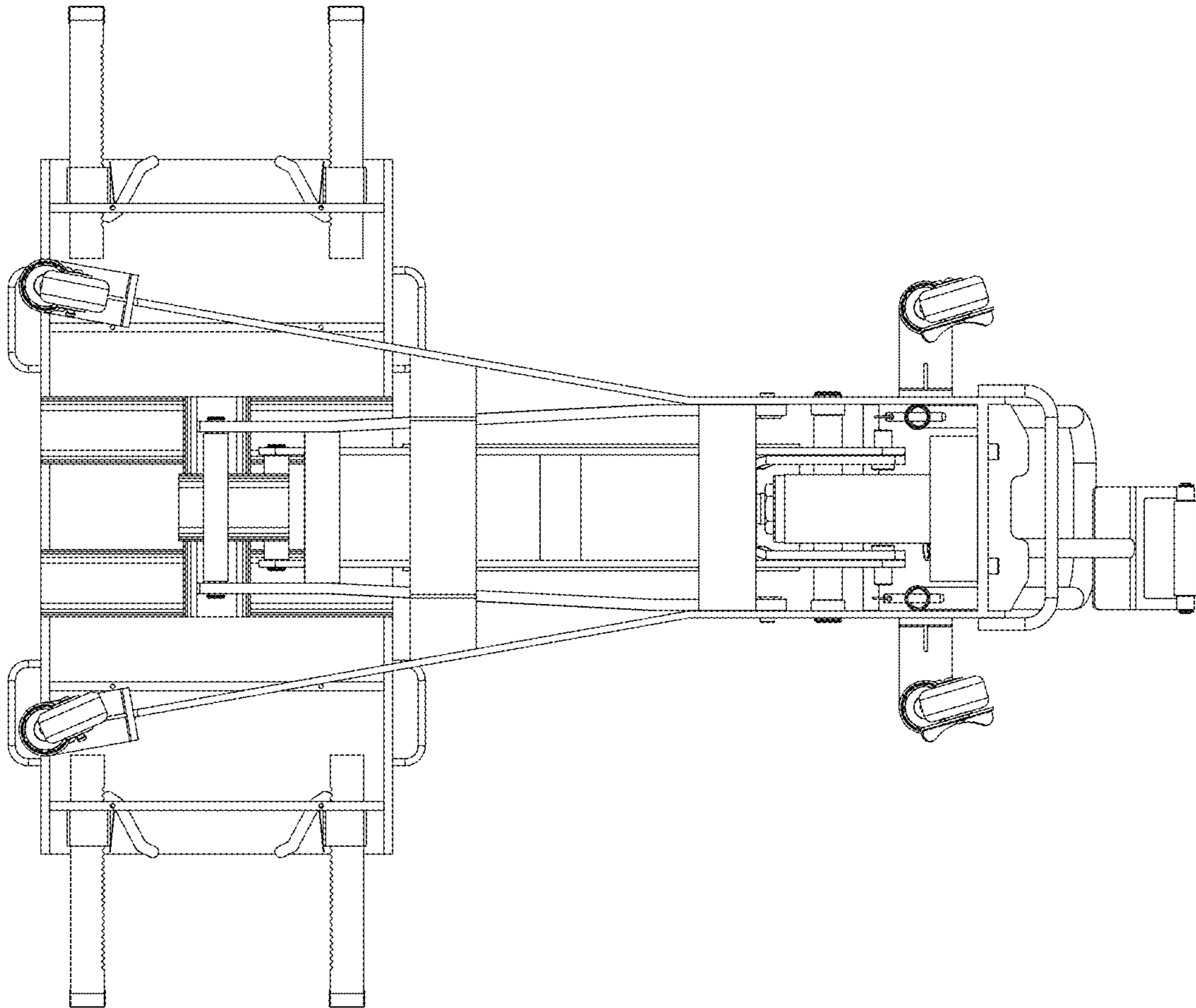


FIG. 6

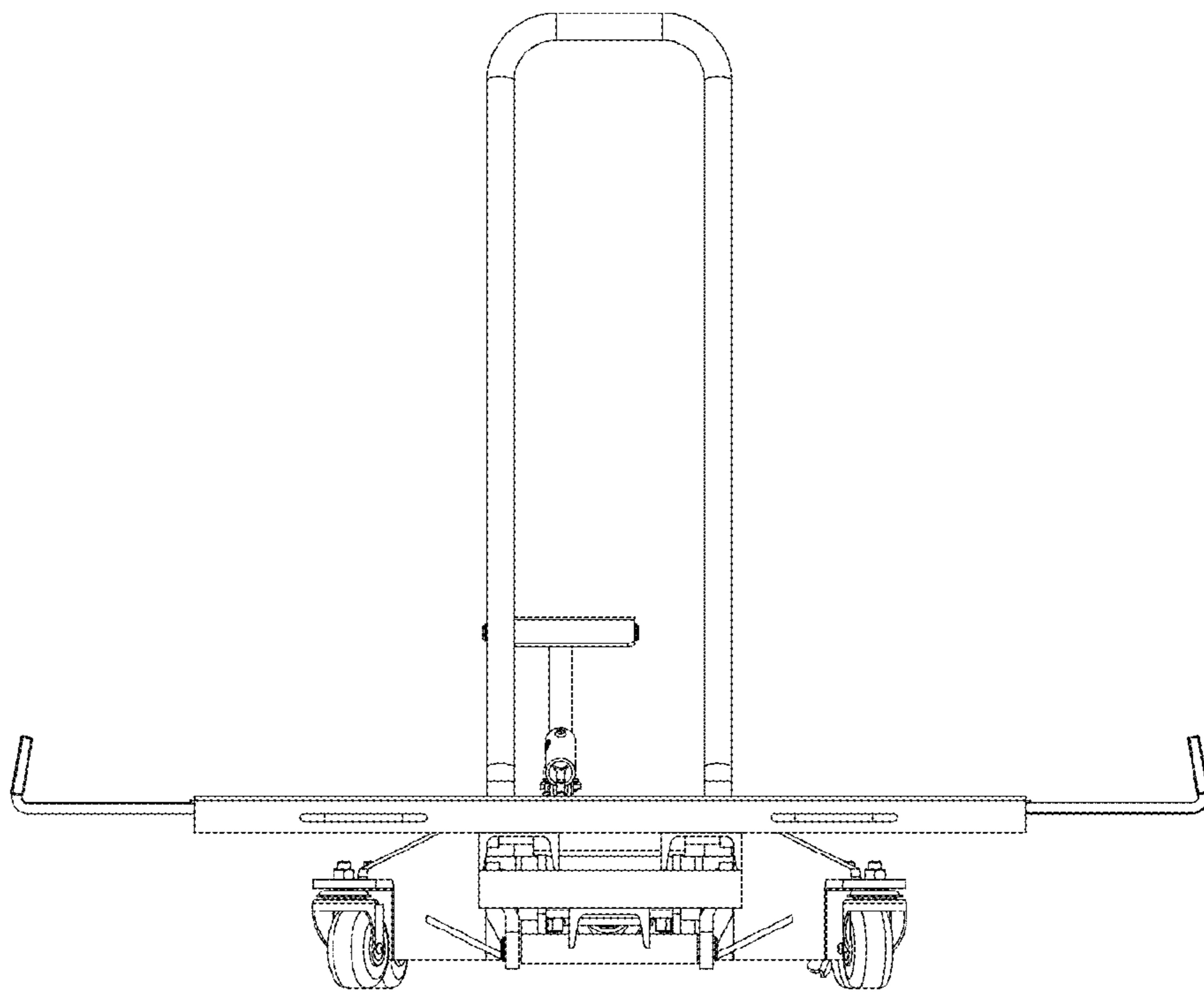


FIG. 7

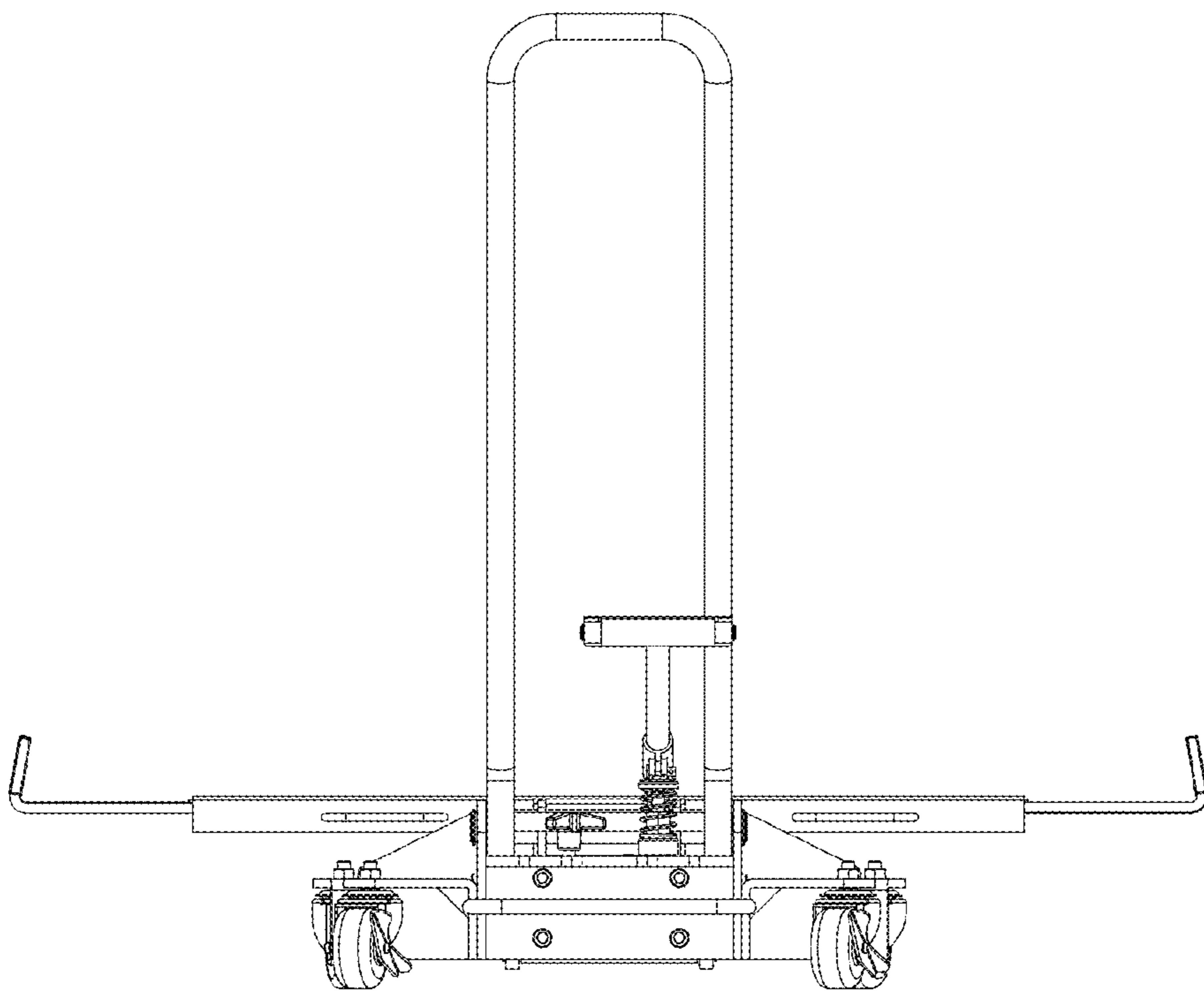


FIG. 8

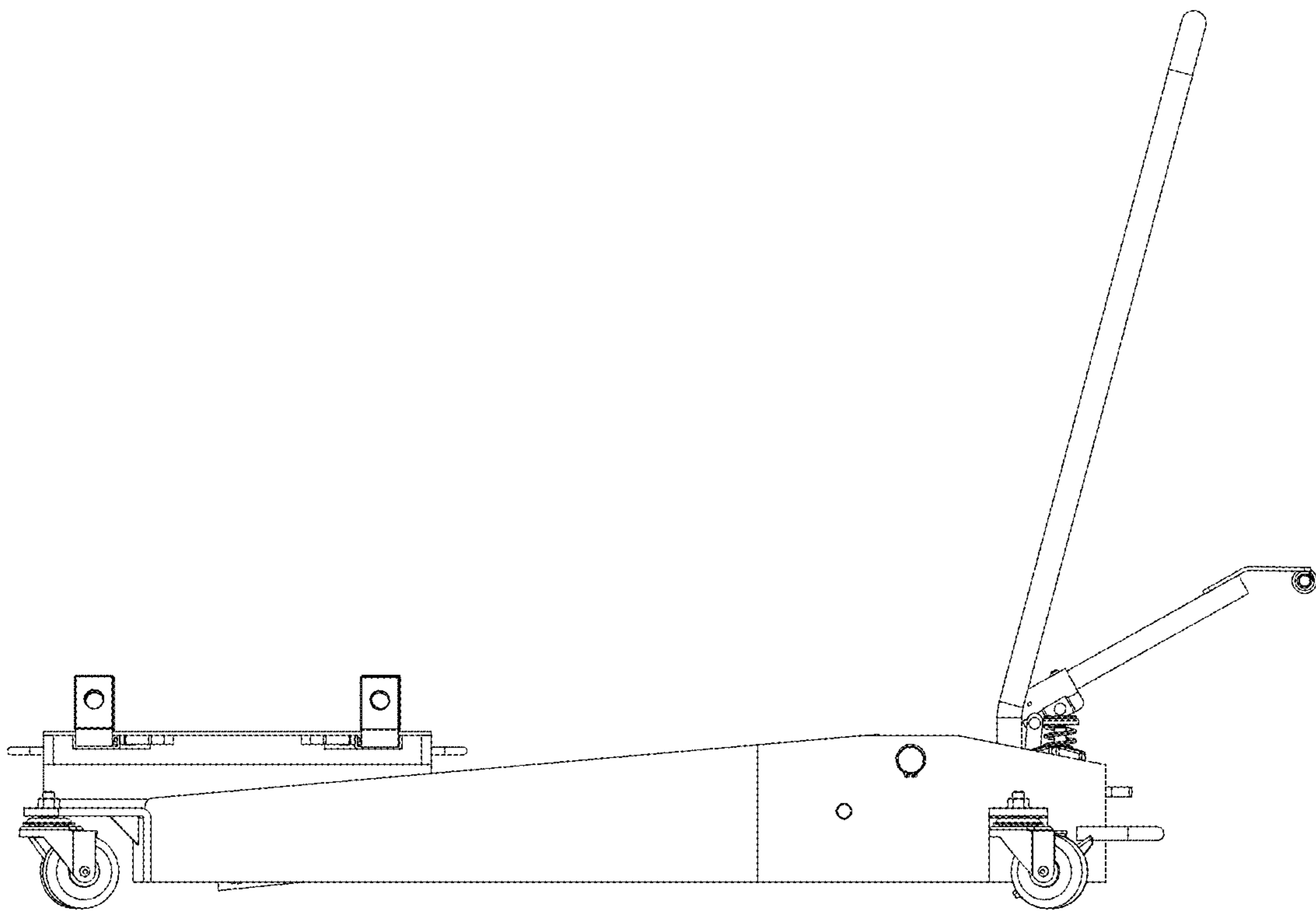


FIG. 9