



US00D912358S

(12) **United States Design Patent**
Brugora

(10) **Patent No.:** **US D912,358 S**

(45) **Date of Patent:** **** Mar. 2, 2021**

- (54) **MOP**
- (71) Applicant: **Carl Freudenberg KG**, Weinheim (DE)
- (72) Inventor: **Alessandro Brugora**, Cernusco sul Naviglio (IT)
- (73) Assignee: **CARL FREUDENBERG KG**, Weinheim (DE)
- (**) Term: **15 Years**
- (21) Appl. No.: **29/689,208**
- (22) Filed: **Apr. 29, 2019**
- (30) **Foreign Application Priority Data**
Oct. 30, 2018 (EM) 005812856
- (51) **LOC (13) Cl.** **07-05**
- (52) **U.S. Cl.**
USPC **D32/50**
- (58) **Field of Classification Search**
USPC D32/40-43, 45-46, 48-52; D4/100, 119, D4/132, 135
CPC A47L 4/00; A47L 13/10
See application file for complete search history.

D597,718 S *	8/2009	McNeil	D32/45
D617,066 S *	6/2010	Koenig	D32/50
D625,480 S *	10/2010	Raven	D32/50
D638,596 S *	5/2011	Vasilakes	D32/50
D653,826 S *	2/2012	Lee	D32/50
D655,876 S *	3/2012	Lee	D32/50
D657,928 S *	4/2012	Byrne	D32/50
D704,910 S *	5/2014	Hughes	D32/40
D719,709 S *	12/2014	Gidwell	D32/40
D719,712 S *	12/2014	Widmer	A46B 17/00 D32/35
D747,053 S *	1/2016	Baldwin	D32/40
D759,329 S *	6/2016	Colangelo	D32/50
D779,144 S *	2/2017	Layevsky	D32/50
D828,667 S *	9/2018	Xiaobing	D32/45
2010/0319159 A1 *	12/2010	Gell	A47L 9/02 15/415.1

- (56) **References Cited**
U.S. PATENT DOCUMENTS
963,049 A * 7/1910 Kenney A47L 9/02
15/415.1
5,123,141 A * 6/1992 Erickson A47L 9/02
15/373
6,421,875 B1 * 7/2002 Coombs A47L 9/02
15/415.1
D503,836 S * 4/2005 Hall D32/50
D530,049 S * 10/2006 Berti D32/44
D585,612 S * 1/2009 Soller D32/40

FOREIGN PATENT DOCUMENTS

CN 305591402 * 2/2020

* cited by examiner

Primary Examiner — John R Yeh

(74) *Attorney, Agent, or Firm* — Leydig, Voit & Mayer, Ltd.

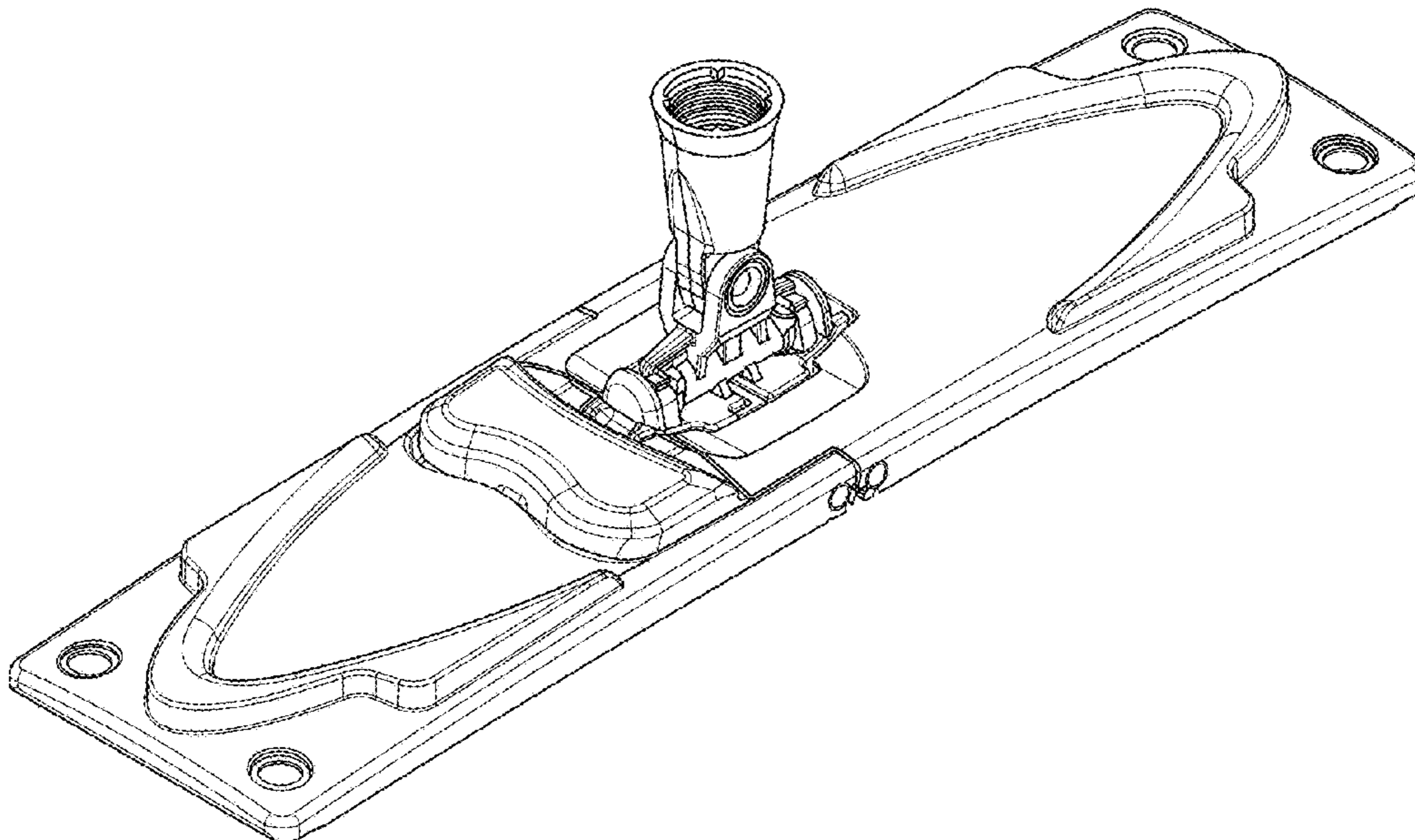
(57) **CLAIM**

The ornamental design for a mop, as shown and described.

DESCRIPTION

FIG. 1 is a top view of the mop showing my new design; FIG. 2 is a front view thereof; FIG. 3 is a rear view thereof; FIG. 4 is a right-side view thereof; FIG. 5 is a left-side view thereof; and, FIG. 6 is a top-front-right perspective view thereof. The broken-lines in the drawings depict portions of the mop that form no part of the claimed design.

1 Claim, 6 Drawing Sheets



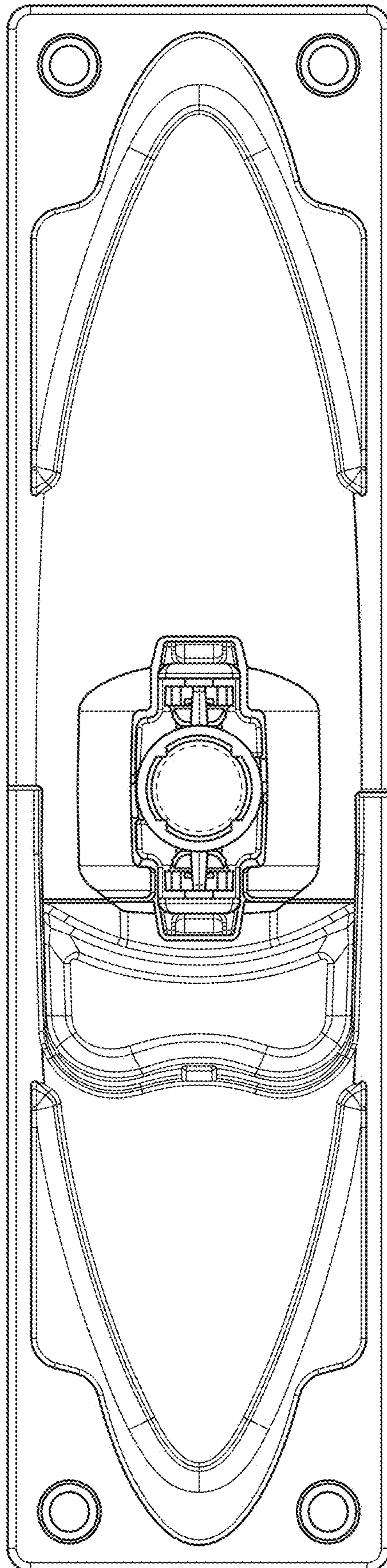


FIG. 1

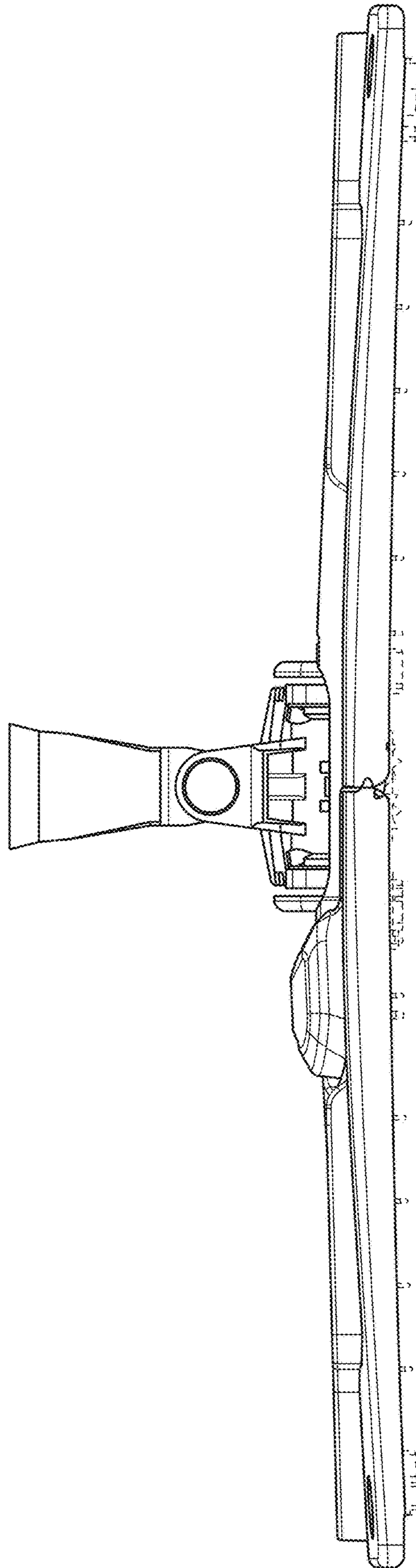


FIG. 2

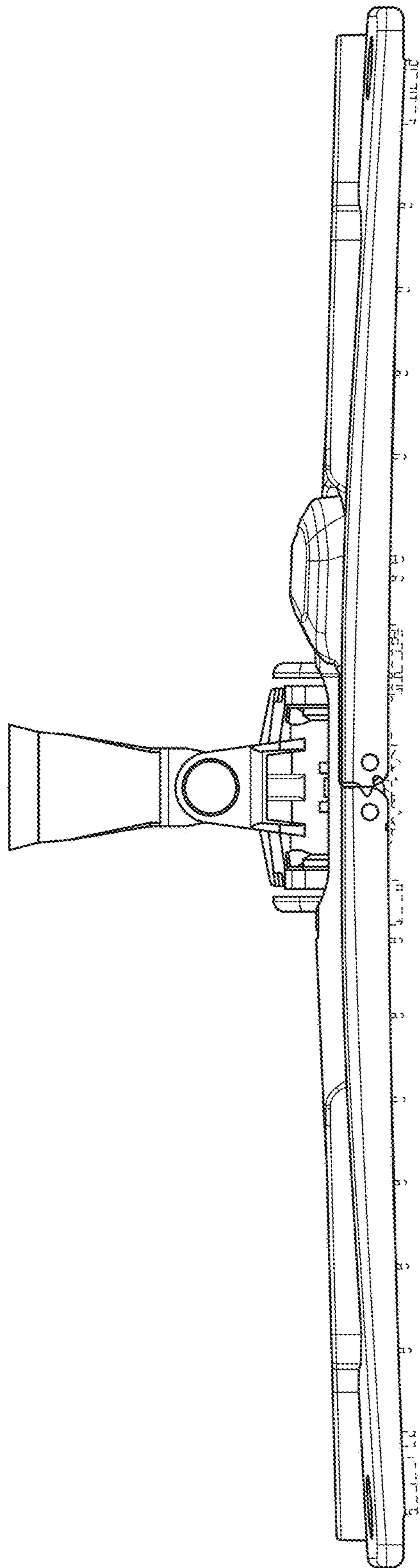


FIG. 3

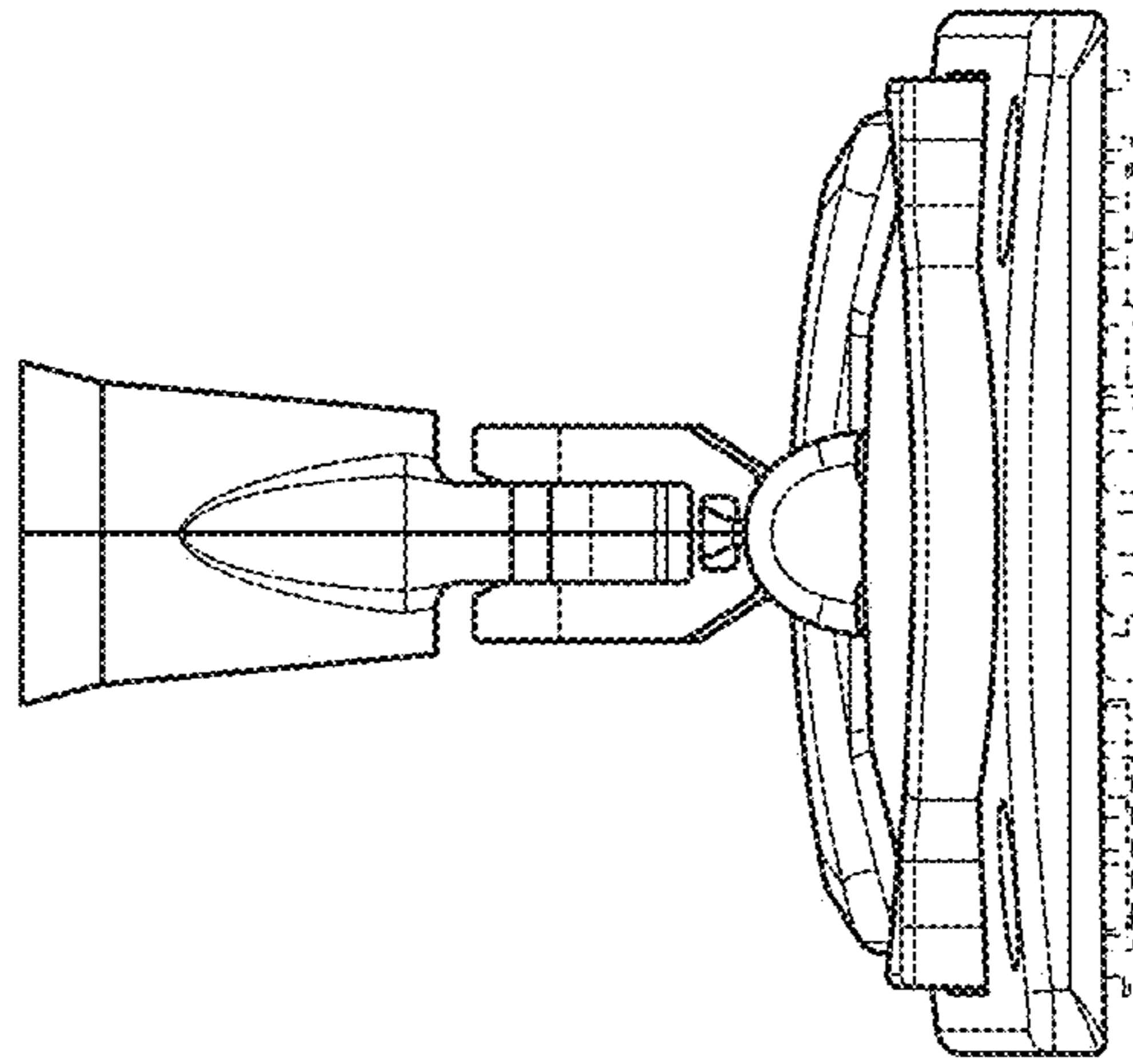


FIG. 4

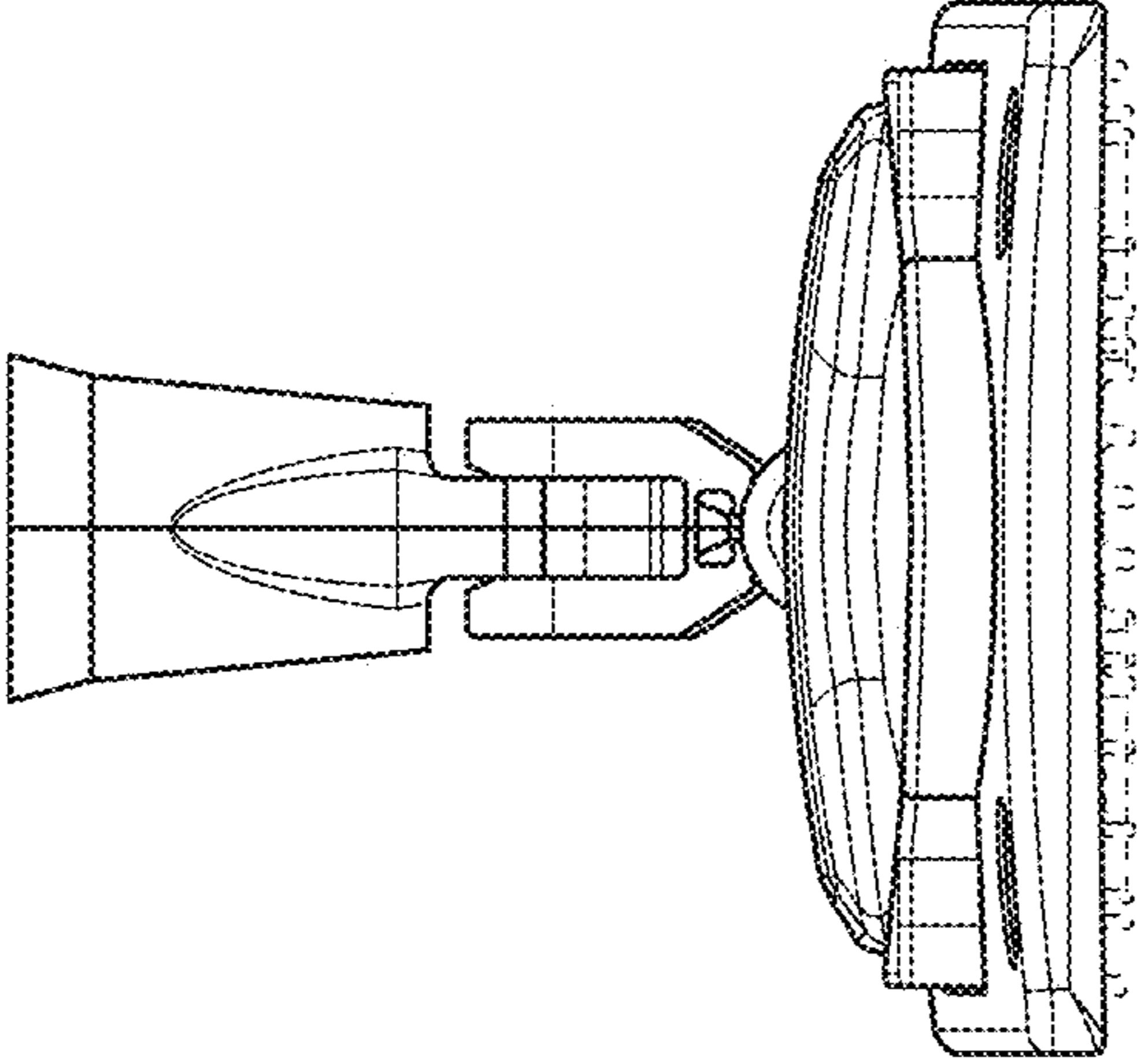


FIG. 5

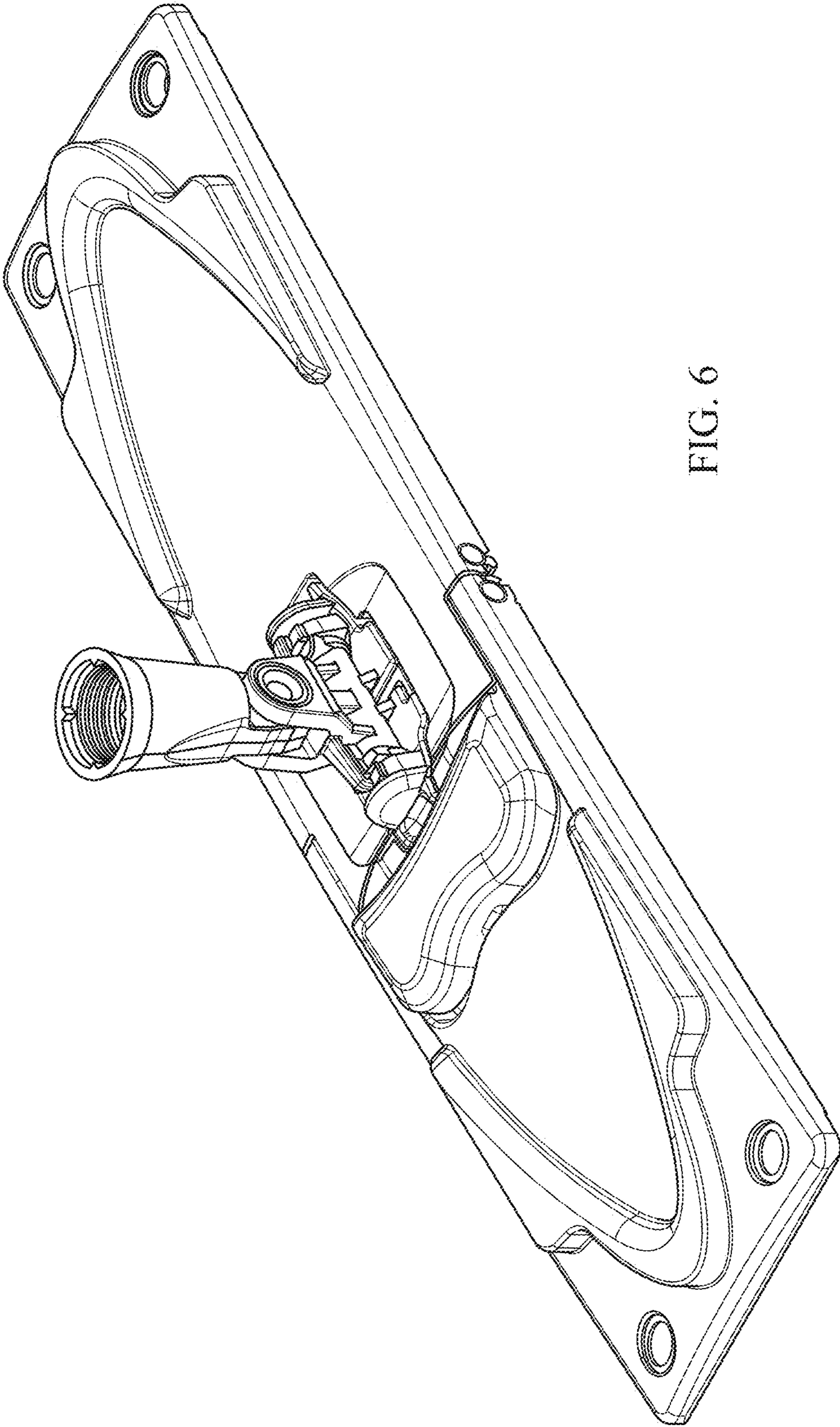


FIG. 6