



US00D912356S

(12) **United States Design Patent** (10) **Patent No.:** **US D912,356 S**
Schneider et al. (45) **Date of Patent:** **** Mar. 2, 2021**

(54) **CLEAT CLEANING TOOL**

(71) Applicants: **Luke R Schneider**, Altamonte Springs, FL (US); **Peter W Hosbein**, Altamonte Springs, FL (US)

(72) Inventors: **Luke R Schneider**, Altamonte Springs, FL (US); **Peter W Hosbein**, Altamonte Springs, FL (US)

(**) Term: **15 Years**

(21) Appl. No.: **29/697,269**

(22) Filed: **Jul. 6, 2019**

(51) **LOC (13) Cl.** **07-05**

(52) **U.S. Cl.**
USPC **D32/47; D21/793**

(58) **Field of Classification Search**
USPC D21/789, 793; D8/18; D32/47
CPC A47L 23/00; A47L 23/04; A63B 57/00;
A63B 57/12; A63B 57/16; A63B 57/20;
A63B 57/30; A63B 57/35; A63B 57/60
See application file for complete search history.

(56) **References Cited**

U.S. PATENT DOCUMENTS

D225,756 S *	1/1973	Stephens	D21/793
D234,150 S *	1/1975	Yaudes	D21/793
D247,686 S *	4/1978	Desjardins	D21/793
D249,574 S *	9/1978	Kraleovich	D21/793
4,670,932 A *	6/1987	Williams	A47L 23/04
				15/236.08
D293,164 S *	12/1987	Shearer	15/105
D300,160 S *	3/1989	Johnson	D2/642

(Continued)

Primary Examiner — Mitchell I. Siegel

(74) *Attorney, Agent, or Firm* — Mandy L. Tran; Ceres Patent & Technology, LLC

(57) **CLAIM**

We claim the ornamental design for a cleat cleaning tool, as shown and described.

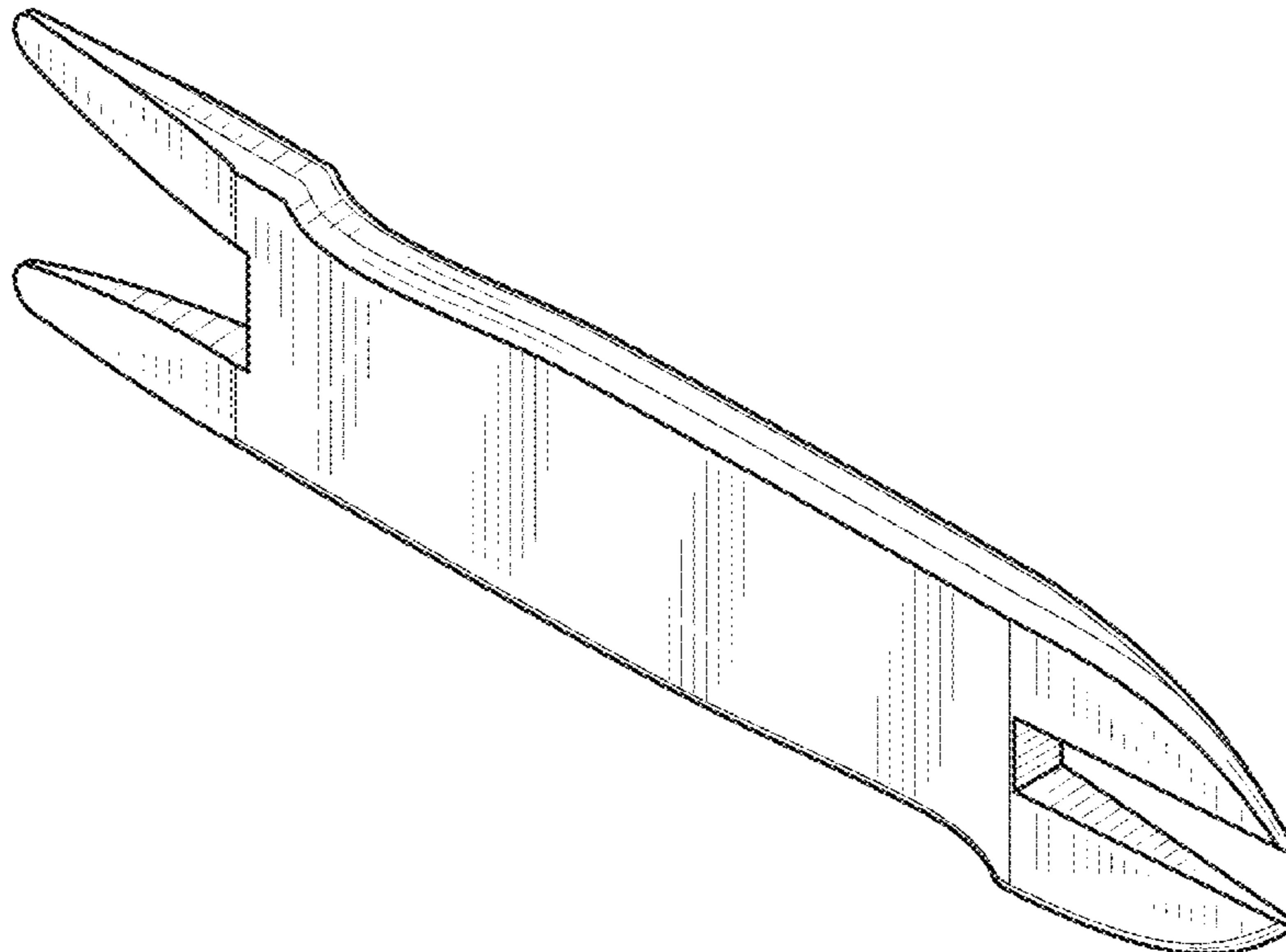
DESCRIPTION

A portion of the disclosure of this patent document contains material that is subject to copyright protection. The copyright owner has no objection to the facsimile reproduction by anyone of the patent document or patent disclosure as it appears in the Patent and Trademark office, patent file or records, but otherwise reserves all copyright rights whatsoever.

FIG. 1 is a top front right perspective view of the invention. FIG. 2 is a bottom rear left perspective view of the invention. FIG. 3 is a top plan view of the invention. FIG. 4 is a right side view of the invention. FIG. 5 is a bottom plan view of the invention. FIG. 6 is a rear plan view of the invention. FIG. 7 is a front plan view of the invention. FIG. 8 is a left side view of the invention. FIG. 9 is a top front right perspective view of a second embodiment of the invention. FIG. 10 is a bottom rear left perspective view of a second embodiment of the invention. FIG. 11 is a top plan view of a second embodiment of the invention. FIG. 12 is a right side view of a second embodiment of the invention. FIG. 13 is a bottom plan view of a second embodiment of the invention. FIG. 14 is a rear plan view of a second embodiment of the invention. FIG. 15 is a front plan view of a second embodiment of the invention; and, FIG. 16 is a left side view of a second embodiment of the invention.

The middle portions of the cleat cleaning tool shown in broken lines indicate indeterminate length and forms no part of the claimed design.

1 Claim, 6 Drawing Sheets



(56)

References Cited

U.S. PATENT DOCUMENTS

5,509,167 A * 4/1996 Wilson A47L 23/04
15/236.06
5,694,660 A * 12/1997 Rachwalski A63B 57/60
15/105
D391,318 S * 2/1998 Shah D21/793
6,112,364 A * 9/2000 Myers A63B 57/60
15/105
D594,922 S * 6/2009 McLane D21/793
D605,720 S * 12/2009 McLane D21/793
D790,019 S * 6/2017 Jimenez D21/793
D828,887 S * 9/2018 Kenny D21/793
D870,832 S * 12/2019 Oh D21/793
D898,850 S * 10/2020 Thomas D21/793
2009/0286616 A1 * 11/2009 Stone A63B 55/50
473/286
2012/0006353 A1 * 1/2012 Readinger A47L 23/04
134/6

* cited by examiner

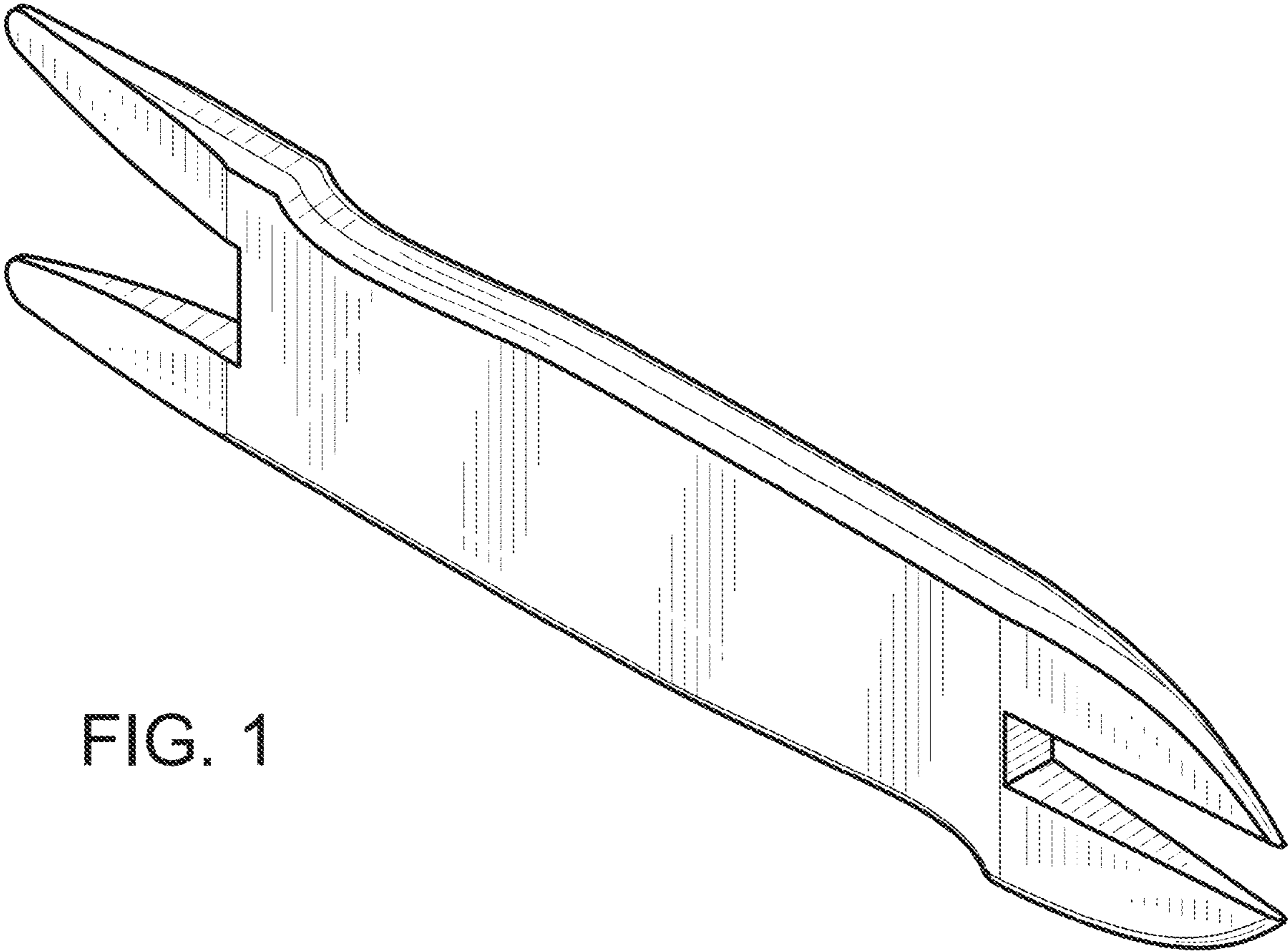


FIG. 1

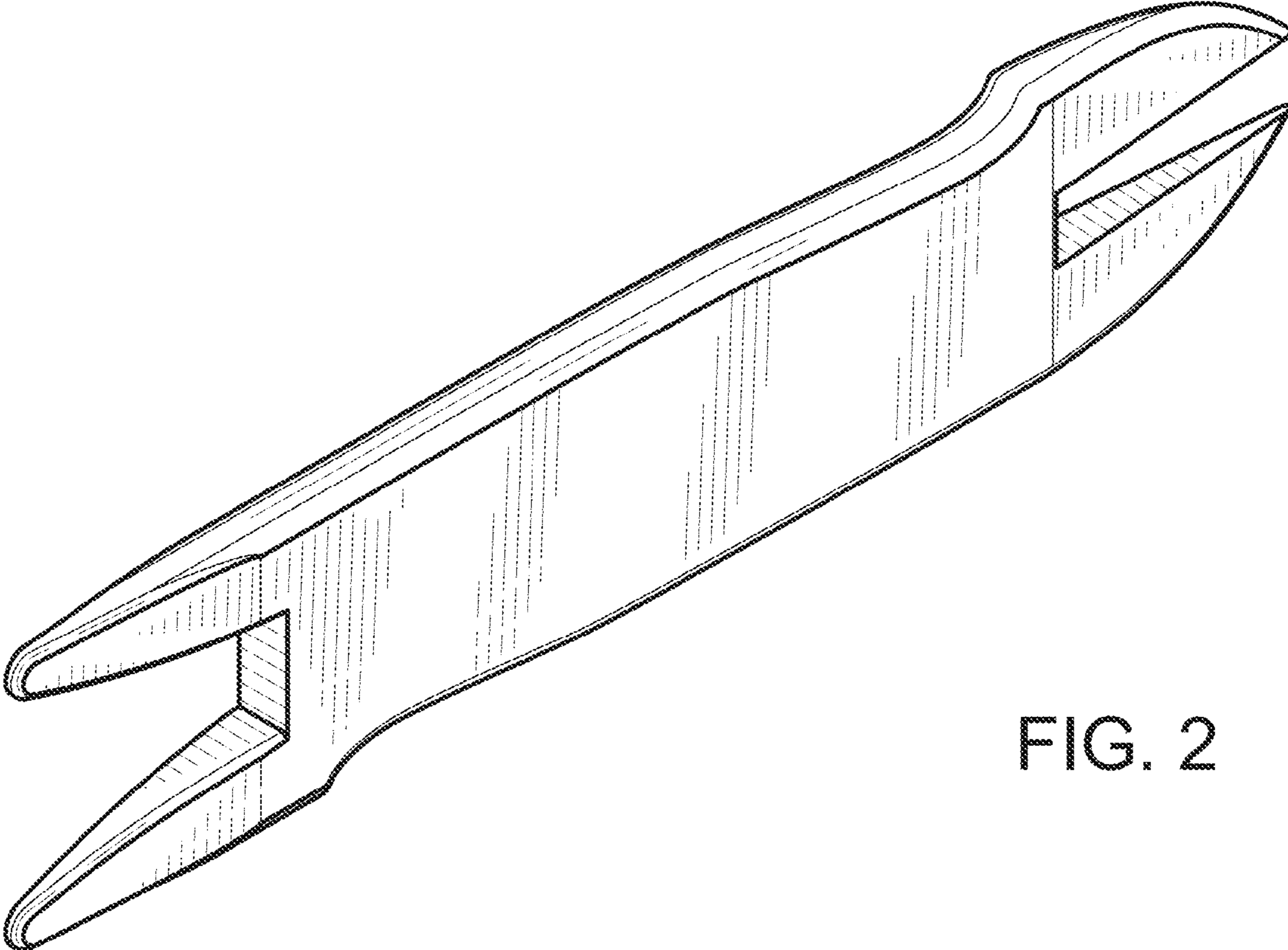


FIG. 2

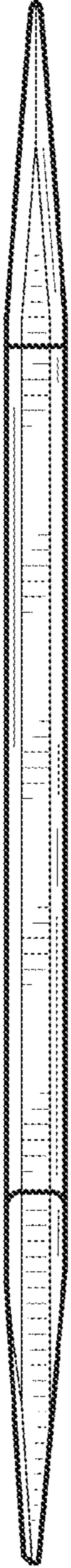


FIG. 3



FIG. 7

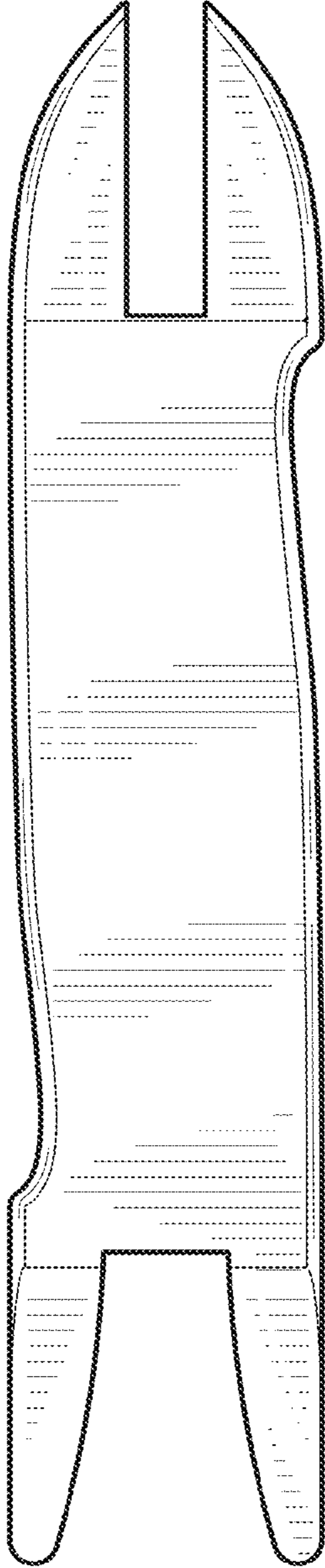


FIG. 4



FIG. 6

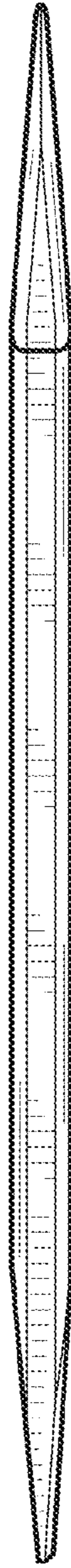


FIG. 5

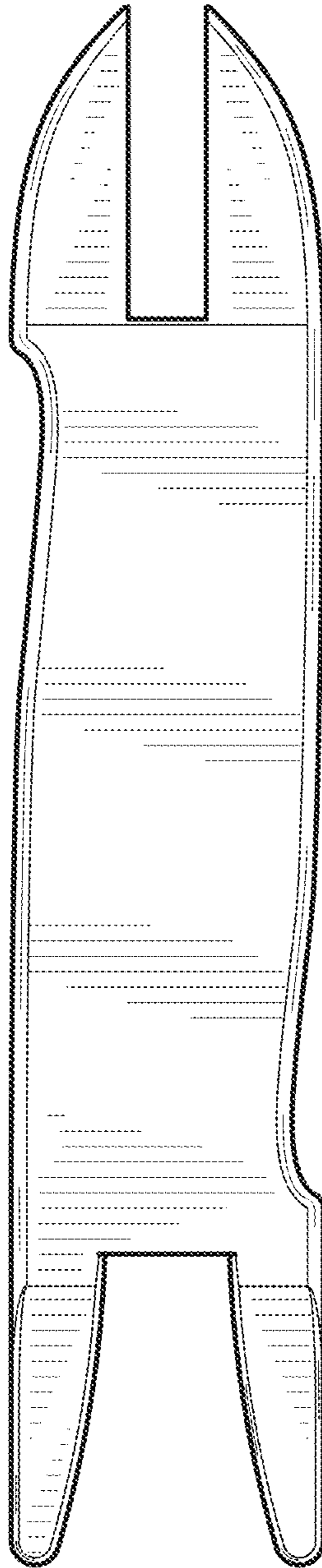


FIG. 8

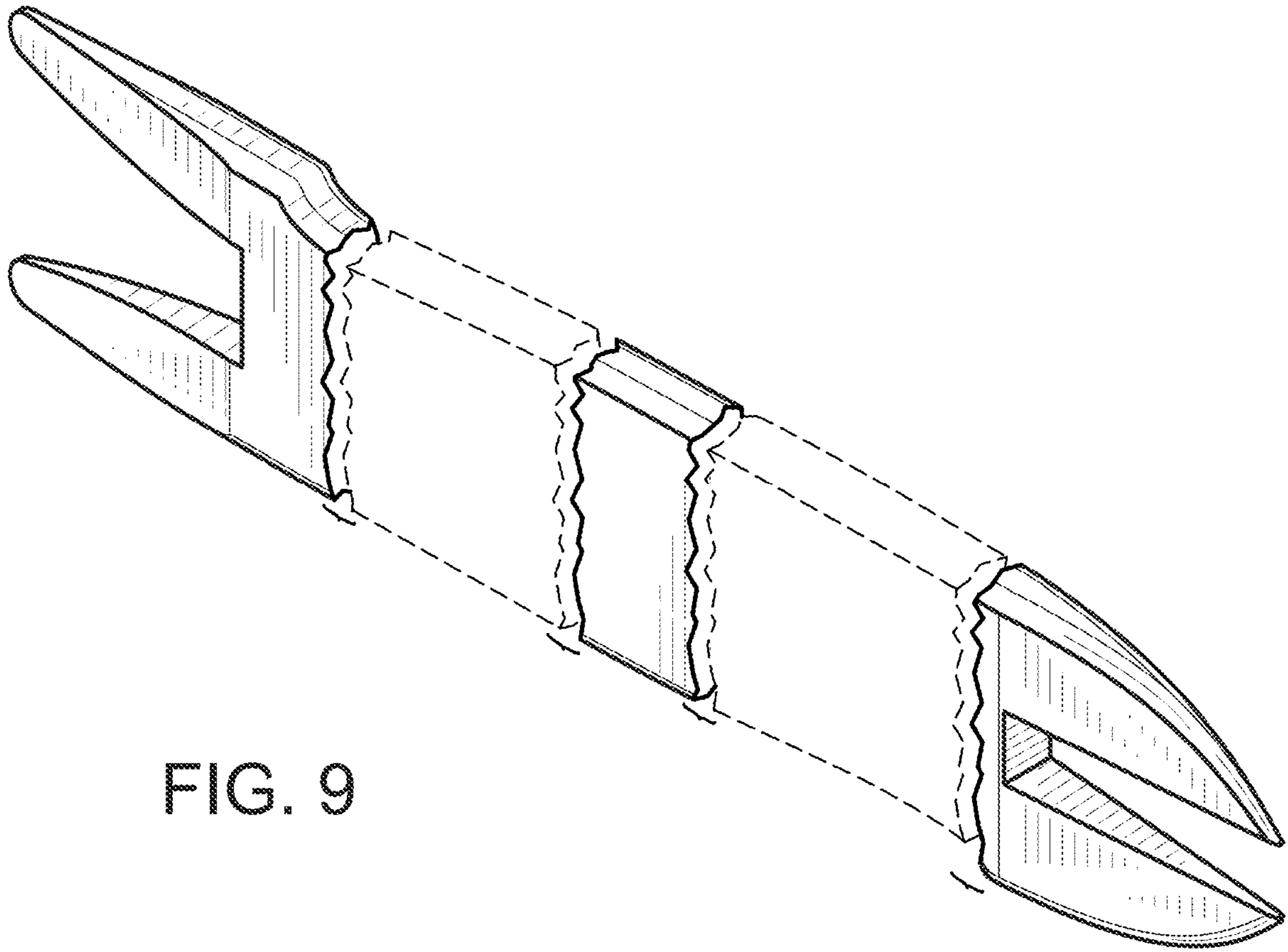


FIG. 9

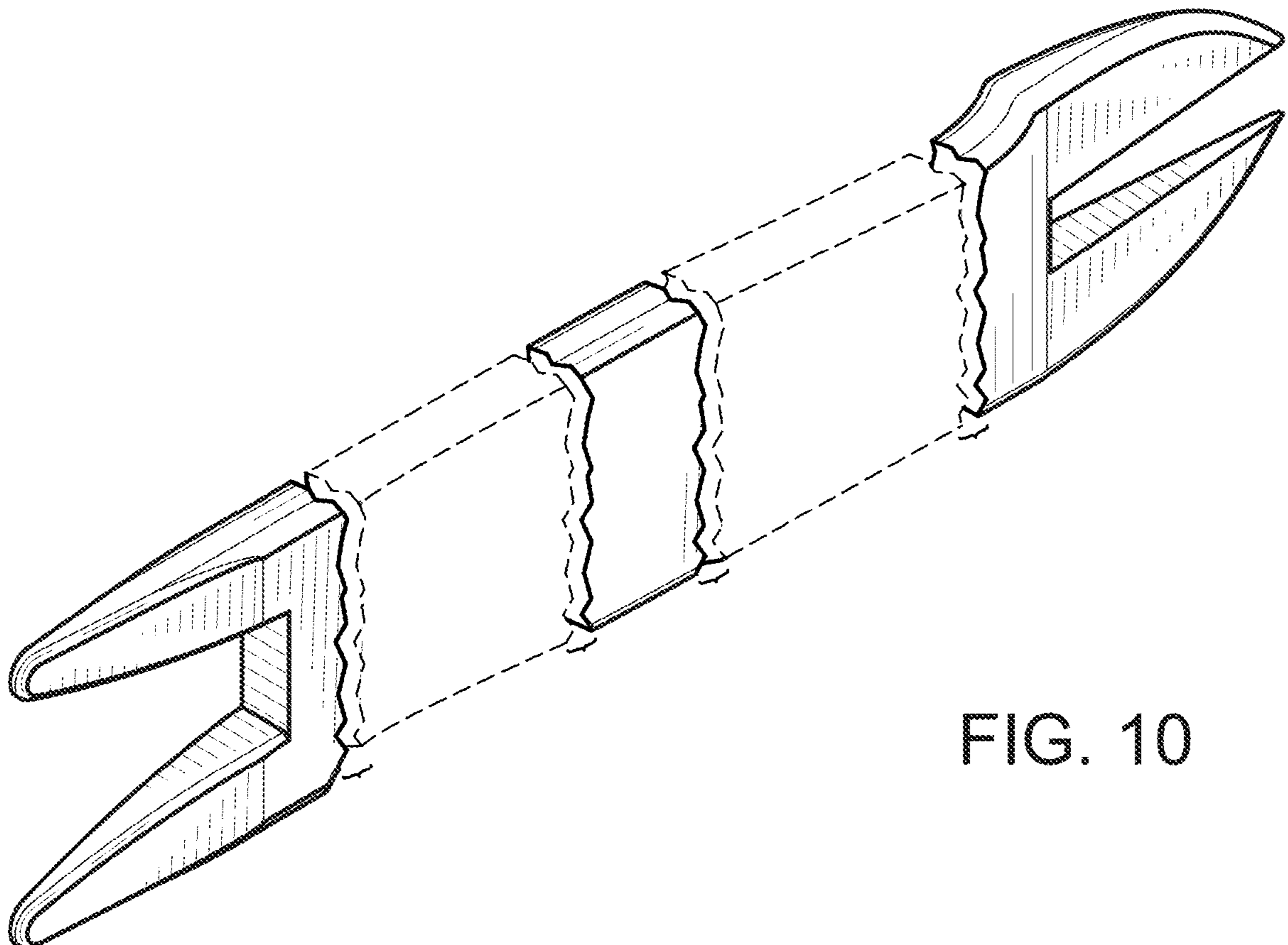


FIG. 10

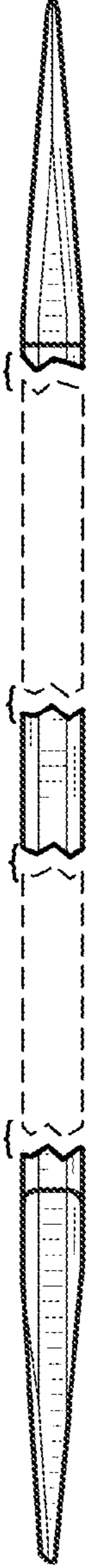


FIG. 11



FIG. 15

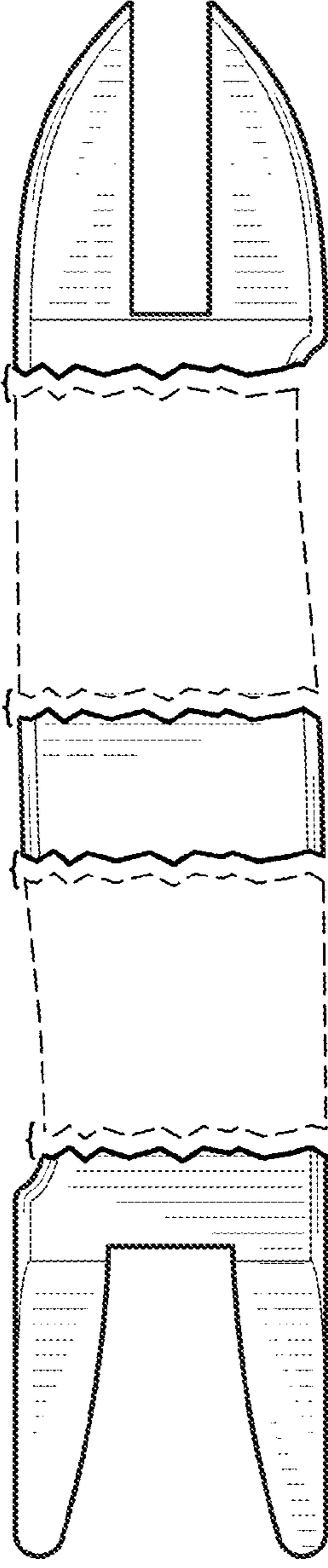


FIG. 12

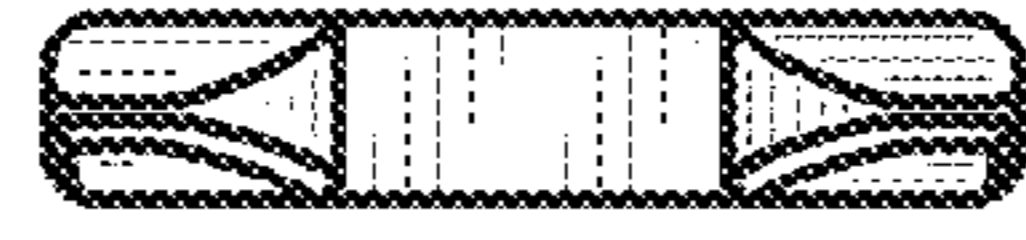


FIG. 14

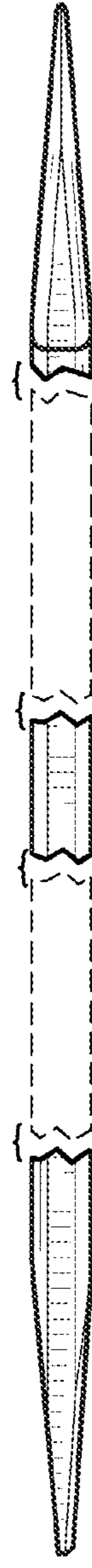


FIG. 13

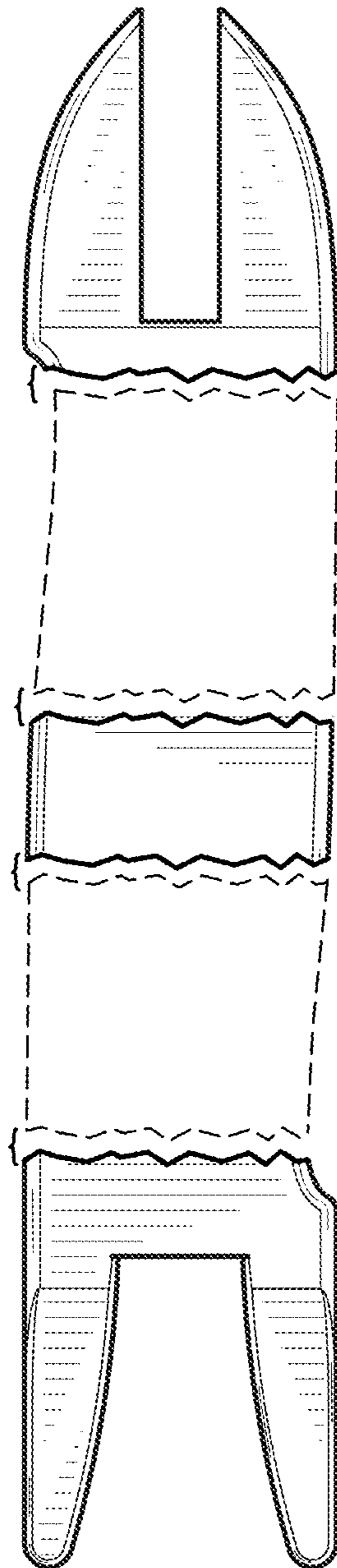


FIG. 16