



US00D912354S

(12) **United States Design Patent**  
**Ediger et al.**

(10) **Patent No.:** **US D912,354 S**  
(45) **Date of Patent:** **\*\* Mar. 2, 2021**

- (54) **STEAM MOP**
- (71) Applicant: **VORNADO AIR, LLC**, Andover, KS (US)
- (72) Inventors: **Glen Wesley Ediger**, North Newton, KS (US); **Brian Cartwright**, Wichita, KS (US)
- (73) Assignee: **Vornado Air, LLC**, Andover, KS (US)
- (\*\*) Term: **15 Years**
- (21) Appl. No.: **29/722,817**
- (22) Filed: **Jan. 31, 2020**
- (51) **LOC (13) Cl.** ..... **07-05**
- (52) **U.S. Cl.**  
USPC ..... **D32/43**
- (58) **Field of Classification Search**  
USPC ..... D32/15, 17, 22, 24, 40, 45, 50–52  
CPC . B08B 3/00; A47L 11/34; A47L 13/12; A47L 13/22  
See application file for complete search history.

D862,011 S *	10/2019	Kim .....	D32/22
10,791,903 B2 *	10/2020	Krebs .....	A47L 11/4086
2006/0090284 A1 *	5/2006	Chen .....	A47L 11/34
			15/320
2014/0060577 A1 *	3/2014	Bruders .....	A47L 11/34
			134/6
2016/0345795 A1 *	12/2016	Manning .....	A47L 13/225

**OTHER PUBLICATIONS**

Vapamore MR-100 Primo Steam Cleaner—Sylvane website 2020, <https://www.sylvane.com/vapamore-mr100-steam-cleaner.html> site visited Oct. 22, 2020.\*

\* cited by examiner

*Primary Examiner* — John R Yeh

(57) **CLAIM**

We claim the ornamental design for a steam mop, as shown and described.

**DESCRIPTION**

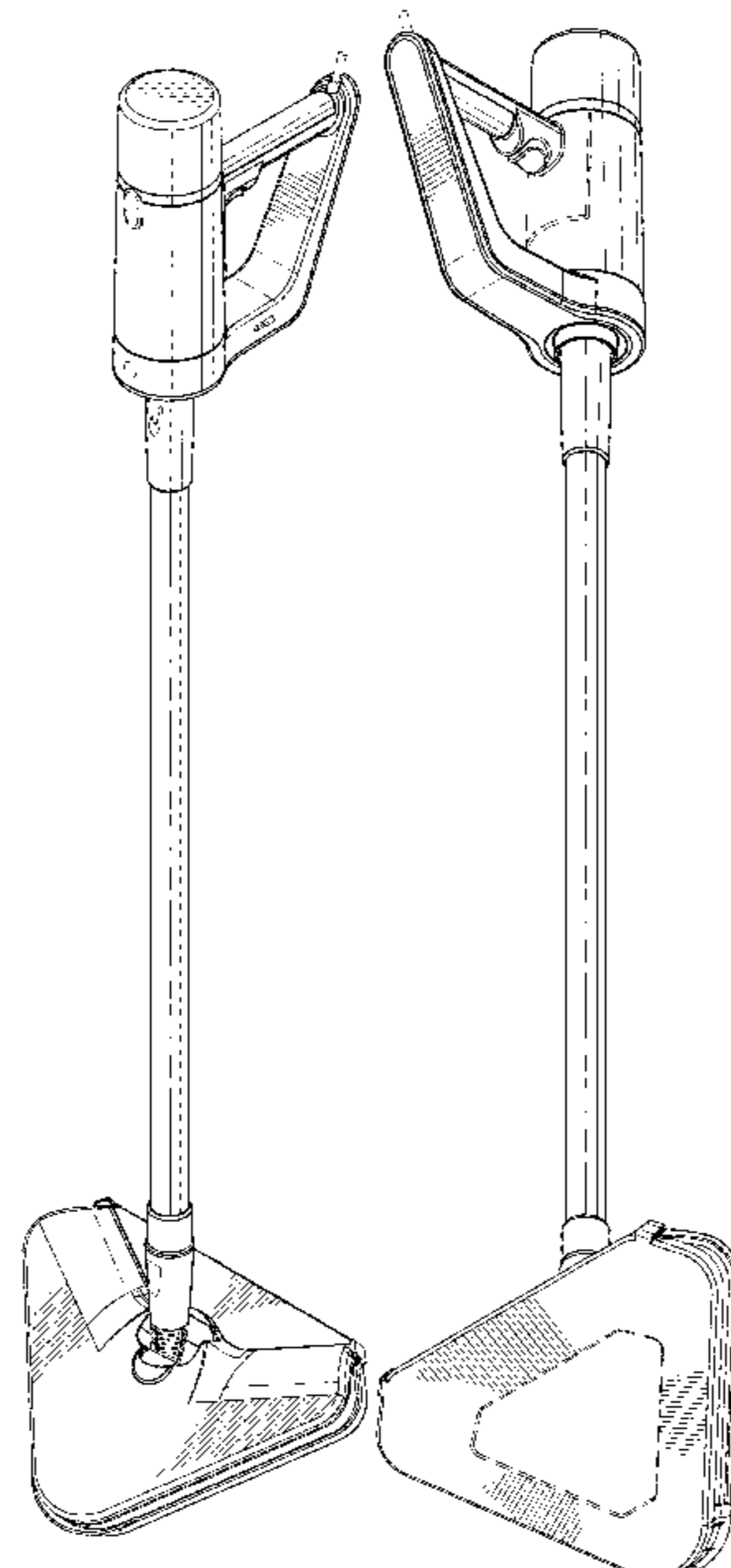
FIG. 1 is a front perspective view for a steam mop according to the present invention;  
FIG. 2 is a bottom perspective view thereof;  
FIG. 3 is a front elevation view thereof;  
FIG. 4 is a rear elevation view thereof;  
FIG. 5 is a left side elevation view thereof;  
FIG. 6 is a right side elevation view thereof;  
FIG. 7 is a top plan view thereof; and,  
FIG. 8 is a bottom plan view thereof.  
In the drawings, the broken lines depict portions of the steam mop that form no part of the claimed design.

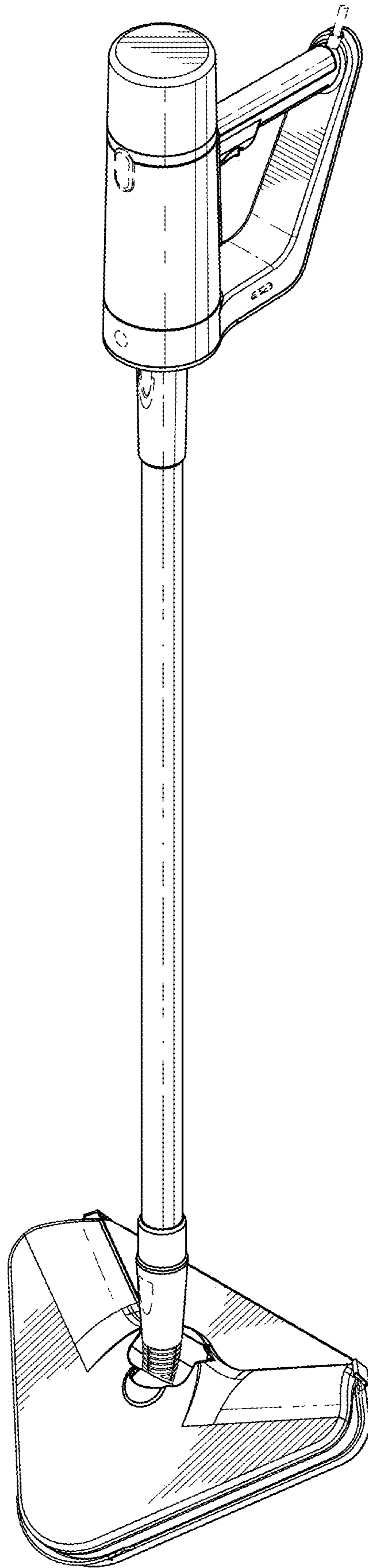
**1 Claim, 7 Drawing Sheets**

(56) **References Cited**

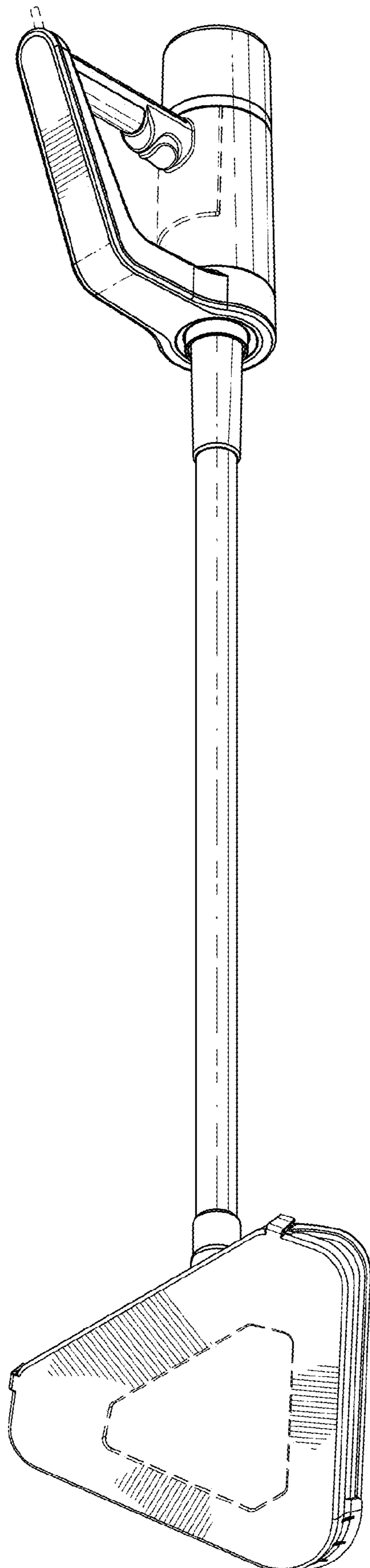
**U.S. PATENT DOCUMENTS**

D549,415 S *	8/2007	Trotter .....	D32/50
D552,812 S *	10/2007	Dotterman .....	D32/40
D631,217 S *	1/2011	Lavy .....	D32/45
D634,497 S *	3/2011	Robertson .....	D32/51
D685,557 S *	7/2013	Rosenzweig .....	D32/45
D732,766 S *	6/2015	Hughes .....	D32/25
D745,232 S *	12/2015	Yoon .....	D32/22
D799,767 S *	10/2017	Palladino .....	D32/22
D810,372 S *	2/2018	Buckley .....	A47L 1/08
			D32/50
D817,573 S *	5/2018	Crawley .....	D32/50
D818,883 S *	5/2018	Lundh .....	D12/133
D828,667 S *	9/2018	Xiaobing .....	D32/45

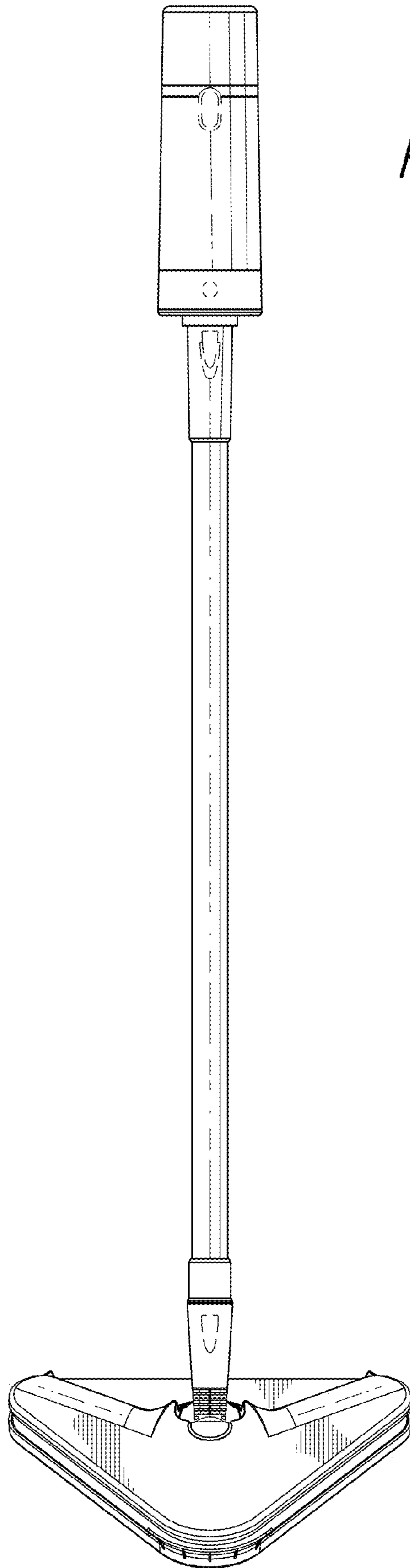




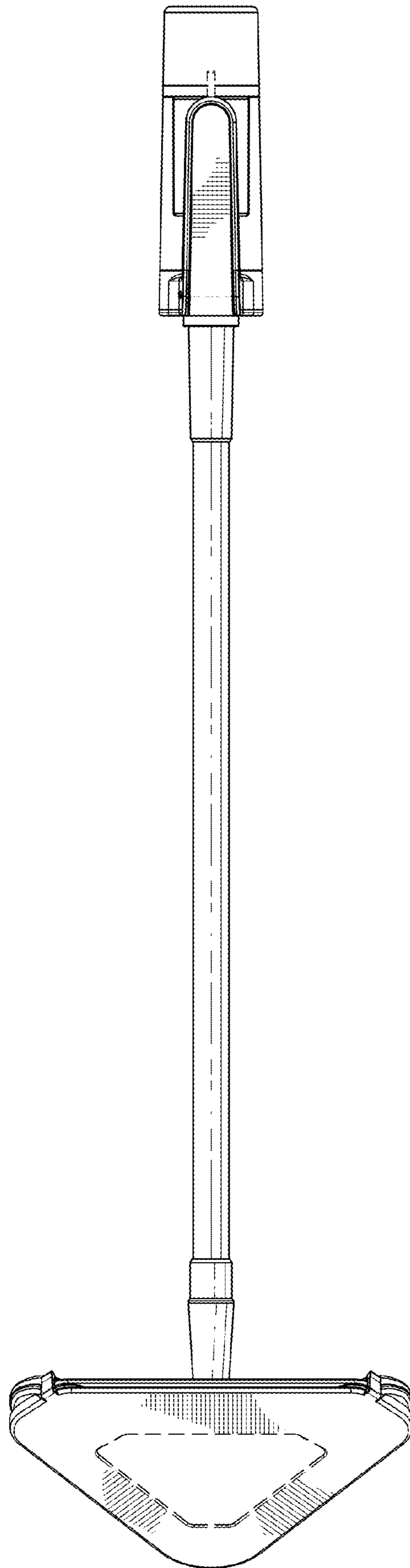
*FIG. 1*



*FIG. 2*

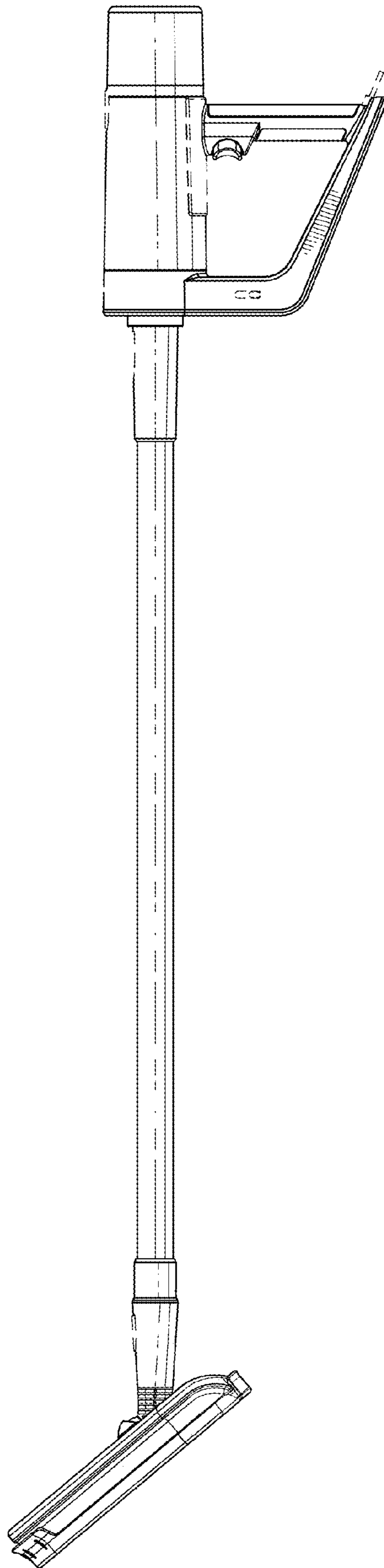


*FIG. 3*



*FIG. 4*

*FIG. 5*



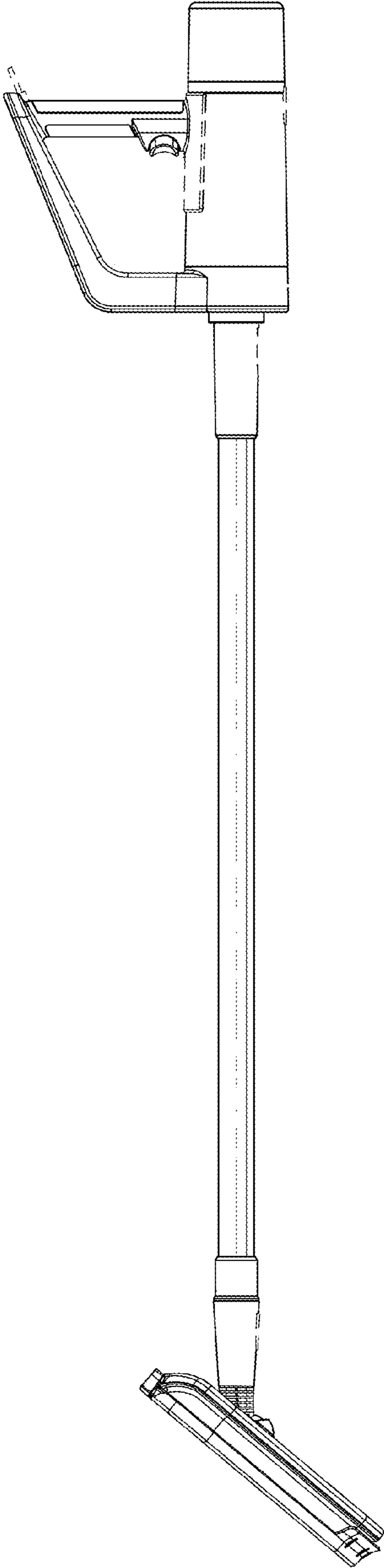
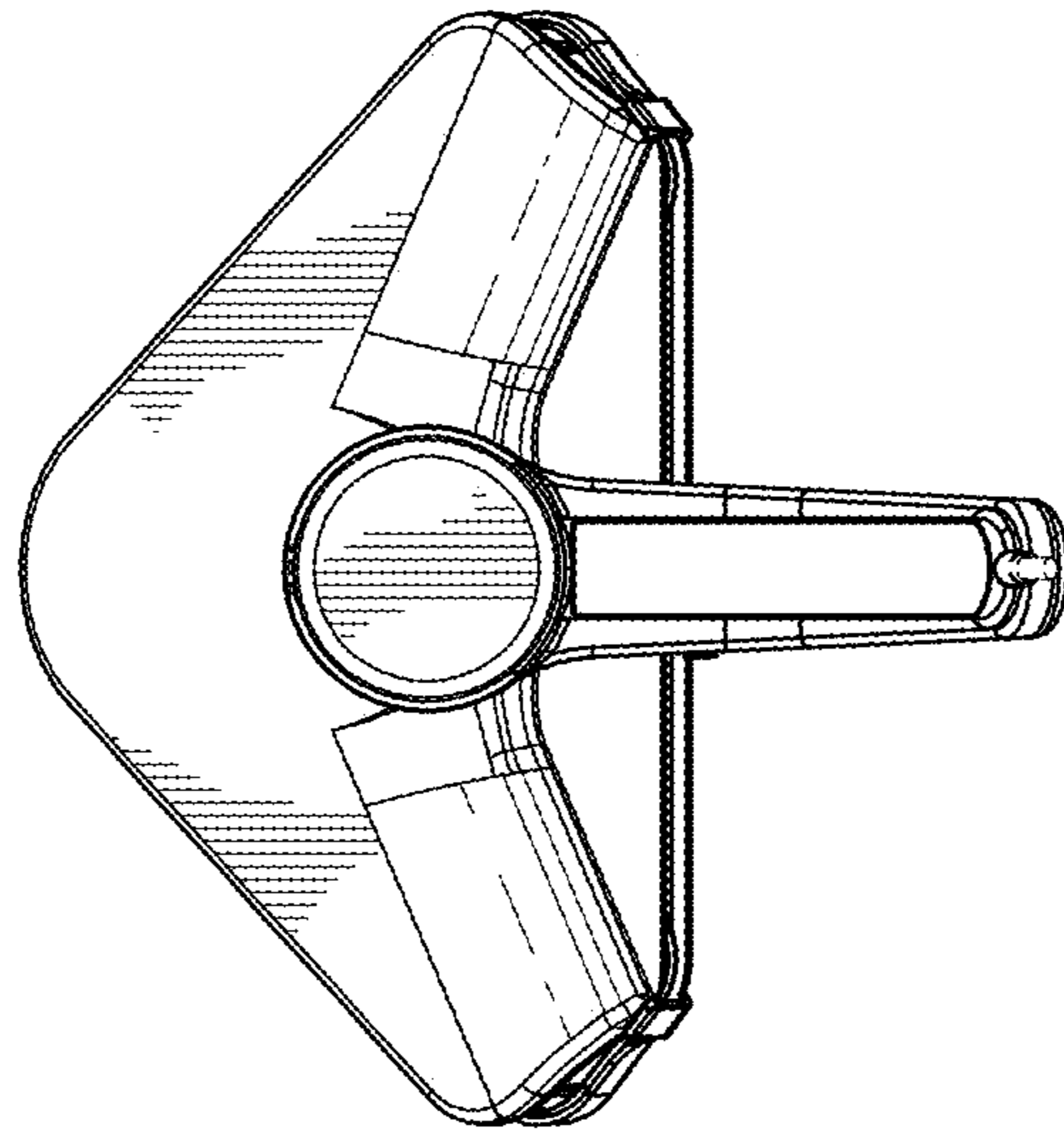
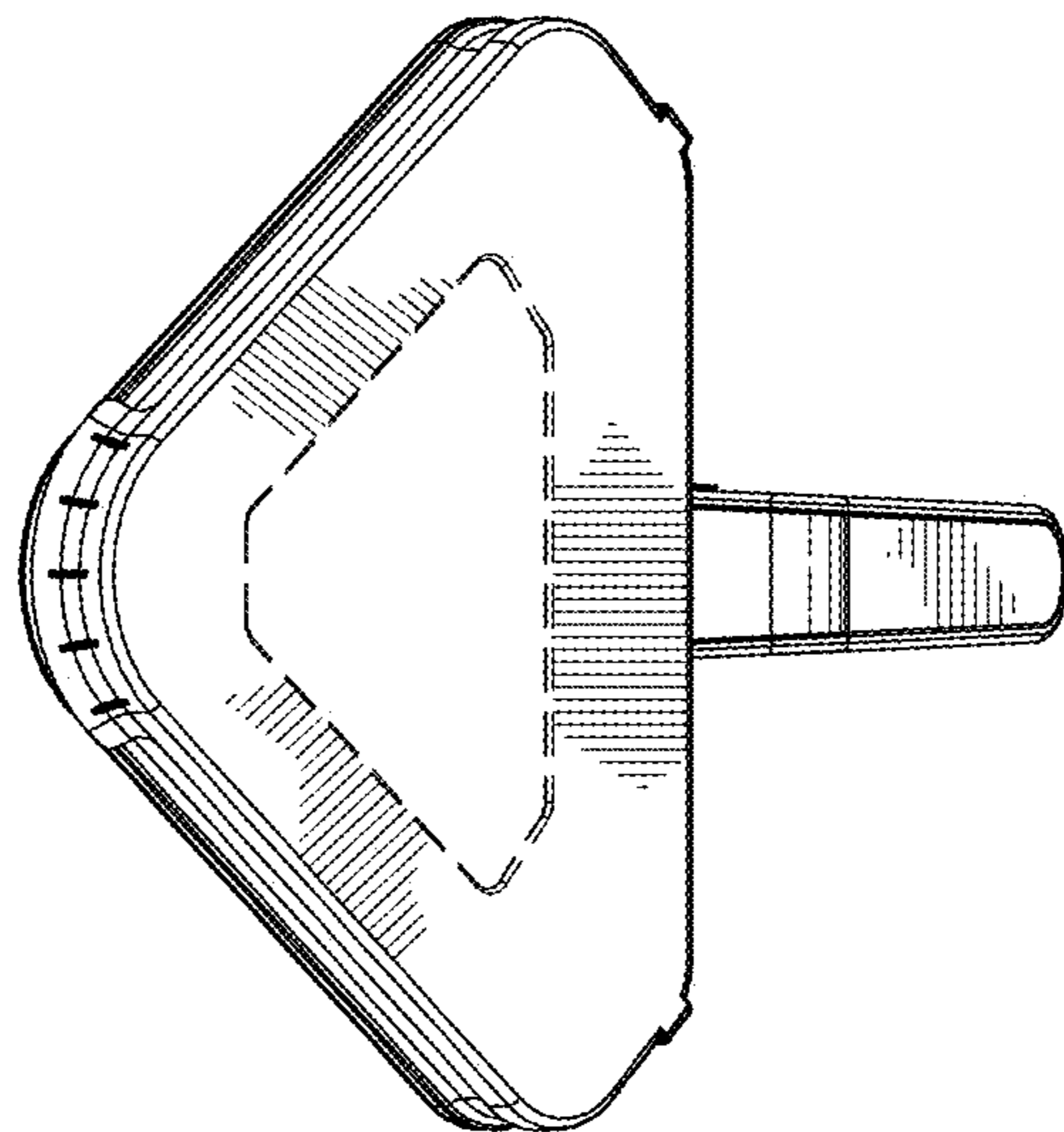


FIG. 6



*FIG. 7*



*FIG. 8*