



US00D912353S

(12) **United States Design Patent** (10) **Patent No.:** **US D912,353 S**
Bender et al. (45) **Date of Patent:** **** Mar. 2, 2021**

(54) **DISPOSABLE MOP OVERLAY OF ABSORBENT MATERIAL**

(71) Applicant: **TURBO CLEAN Technology GmbH, Meerbusch (DE)**

(72) Inventors: **Stefan Bender, Adelsried (DE); Martin Kochon, Düsseldorf (DE); Jens Bauer, Düsseldorf (DE)**

(73) Assignee: **TURBO CLEAN Technology GmbH, Meerbusch (DE)**

(**) Term: **15 Years**

(21) Appl. No.: **29/694,991**

(22) Filed: **Jun. 14, 2019**

(51) **LOC (13) Cl.** **07-05**

(52) **U.S. Cl.**
USPC **D32/40**

(58) **Field of Classification Search**
USPC D32/40-43, 46-49; D8/33, 92, 98
CPC A61B 17/14; B26B 19/38; B66F 15/00
See application file for complete search history.

(56) **References Cited**

U.S. PATENT DOCUMENTS

- 1,884,659 A * 10/1932 Gould A47L 13/18
15/227
- 2,899,697 A * 8/1959 Kohorn et al. A47L 13/03
401/199
- 4,821,360 A * 4/1989 Giallourakis A47L 13/16
15/244.3
- D307,497 S * 4/1990 Giallourakis D32/35
- D391,709 S * 3/1998 Kohlruss D32/40
- D394,925 S * 6/1998 Robinson D32/55
- D398,724 S * 9/1998 Kohlruss D32/40
- 7,020,929 B1 * 4/2006 Cantonis A47L 13/16
15/209.1
- D560,868 S * 1/2008 So D32/40
- D596,818 S * 7/2009 Masse D32/40

- D600,411 S * 9/2009 O'Reilly D28/63
- D699,908 S * 2/2014 Fang D32/40
- D708,805 S * 7/2014 Mehdizadeh D32/40
- D739,106 S * 9/2015 Hoying D32/40
- D840,122 S * 2/2019 Beyda D32/40
- D851,344 S * 6/2019 Carlson D32/40

(Continued)

FOREIGN PATENT DOCUMENTS

- EM 005313137-0006 * 6/2018
- JP S63-103860 U 7/1988

OTHER PUBLICATIONS

Absorbent Mat Pad MAT203 by New Pig, reviews 2020. [https://www.newpig.com/pig-absorbent-mat-pad/p/MAT203?gclid=CjwKCAjw4871BRAjE . . .](https://www.newpig.com/pig-absorbent-mat-pad/p/MAT203?gclid=CjwKCAjw4871BRAjE...), site visited May 8, 2020.*

(Continued)

Primary Examiner — John R Yeh

(74) *Attorney, Agent, or Firm* — Nelson Mullins Riley & Scarborough LLP; Thomas J. Engellenner; Reza Mollaaghababa

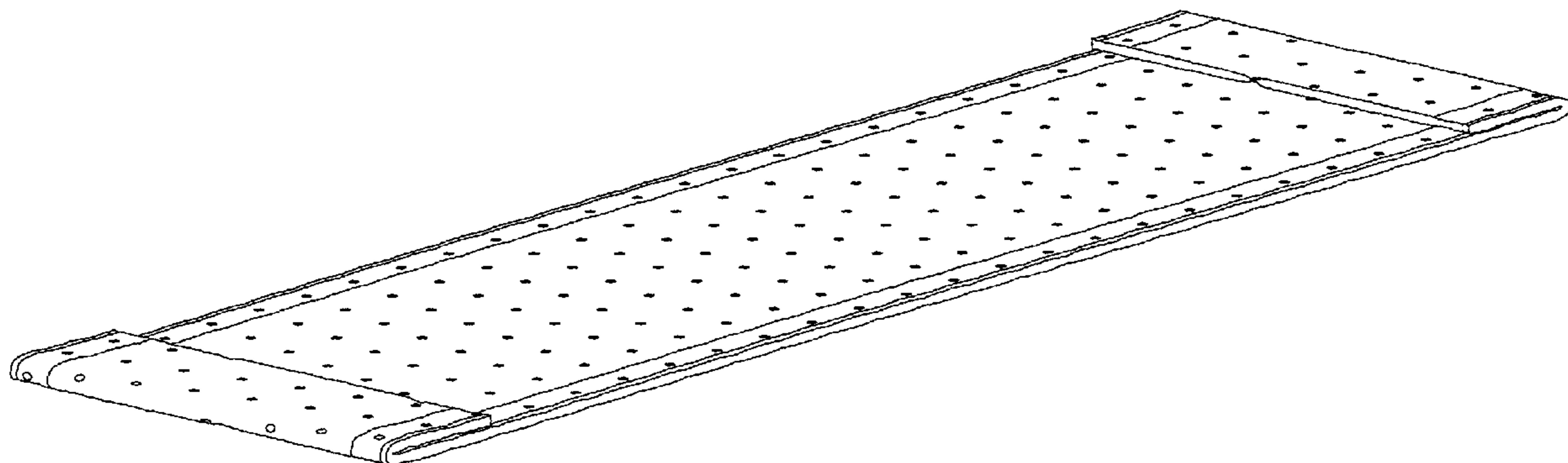
(57) **CLAIM**

We claim the ornamental design for a disposable mop overlay of absorbent material, as shown and described.

DESCRIPTION

FIG. 1 is a perspective view taken from the front, top, and left perspective of an absorbent pad as a disposable mop overlay of absorbent material showing our new design. FIG. 2 is a front elevational view thereof. FIG. 3 is a rear elevational view thereof. FIG. 4 is a left side elevational view thereof. FIG. 5 is a right side elevational view thereof. FIG. 6 is a top plan view thereof; and, FIG. 7 is a bottom plan view thereof.

1 Claim, 7 Drawing Sheets



(56)

References Cited

U.S. PATENT DOCUMENTS

D862,091 S * 10/2019 Thyson D5/7
D866,105 S * 11/2019 Carlson D32/40
D866,891 S * 11/2019 Carlson D32/40
D866,892 S * 11/2019 Hunt D32/40
D878,694 S * 3/2020 Carlson D32/40

OTHER PUBLICATIONS

English Translation of Office Action issued by Japanese Patent Office in corresponding JP Application No. 2018-027494 (5 pages).
“Commercial Care Products: High Productivity and Hygienic Control by innovative floor cleaning system,” 3M Catalog (2017) (2 pages).

* cited by examiner

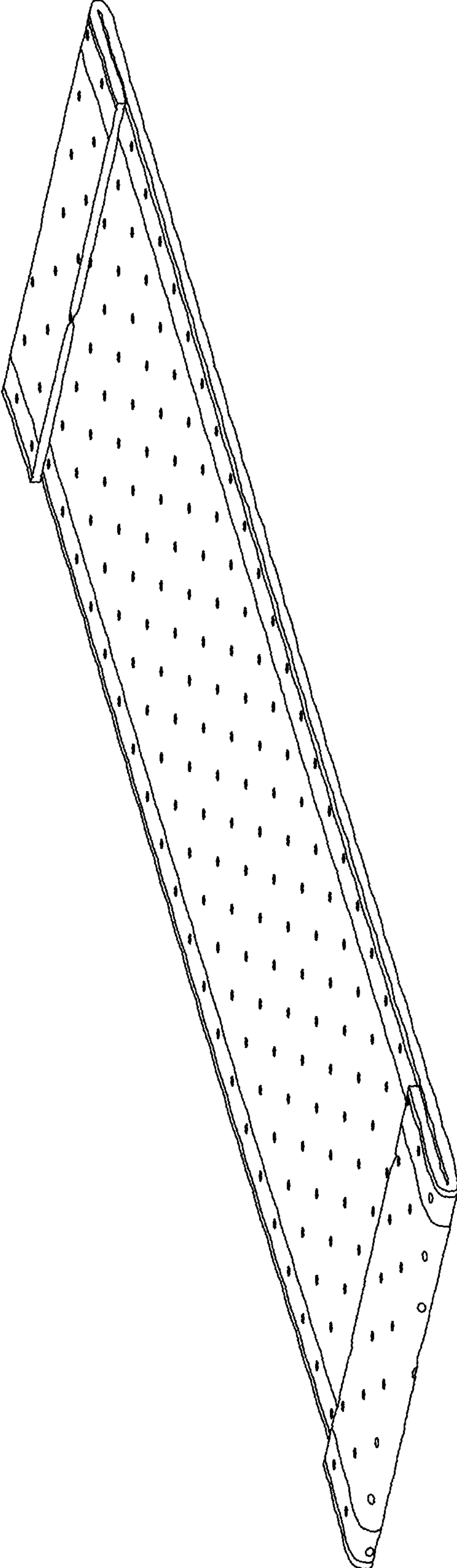


FIG. 1



FIG. 2



FIG. 3



FIG. 4



FIG. 5

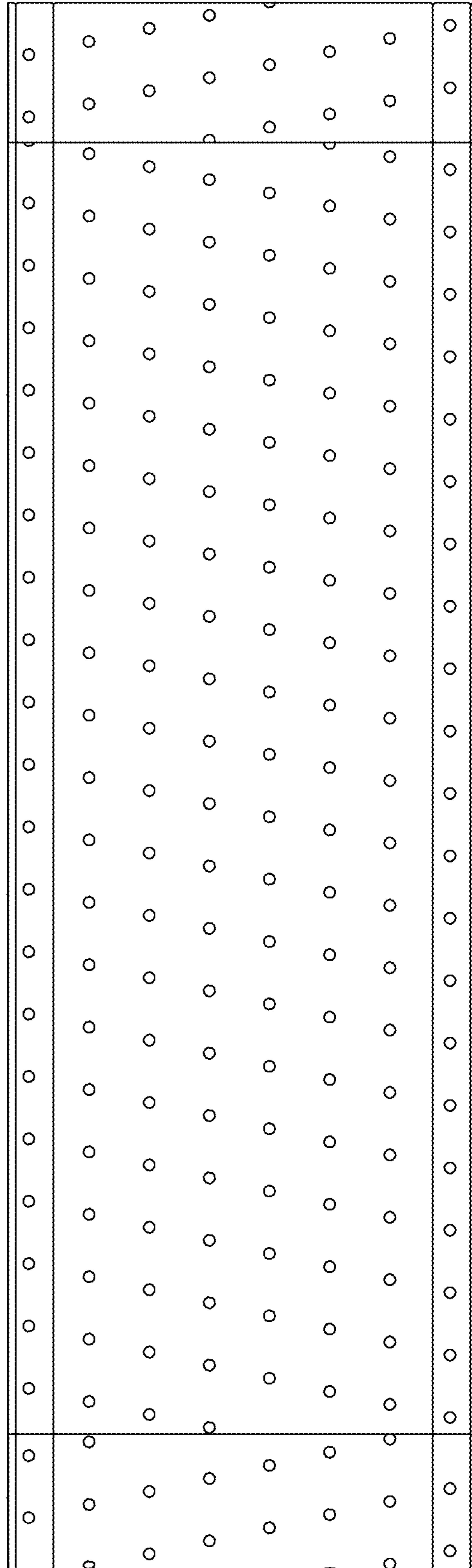


FIG. 6

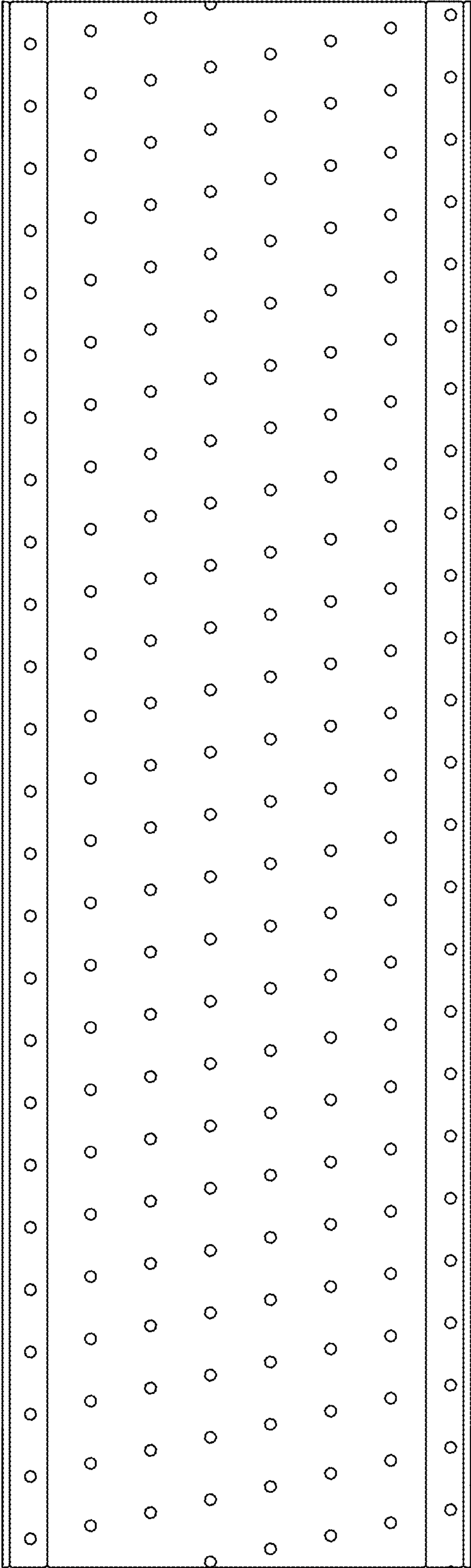


FIG. 7