



US00D912348S

(12) **United States Design Patent**
Choi

(10) **Patent No.:** **US D912,348 S**

(45) **Date of Patent:** **** Mar. 2, 2021**

(54) **CLEANING HEAD OF VACUUM CLEANER**

(71) Applicant: **RAYCOP KOREA INC.**, Incheon (KR)

(72) Inventor: **Seung Mi Choi**, Bucheon-si (KR)

(73) Assignee: **RAYCOP KOREA INC.**, Incheon (KR)

(**) Term: **15 Years**

(21) Appl. No.: **29/685,081**

(22) Filed: **Mar. 26, 2019**

(30) **Foreign Application Priority Data**

Feb. 11, 2019 (KR) 30-2019-0006038

(51) **LOC (13) Cl.** **15-05**

(52) **U.S. Cl.**
USPC **D32/32**

(58) **Field of Classification Search**

USPC D32/31, 32, 33, 34
CPC A47L 9/02; A47L 9/04; A47L 9/06; A47L 9/0461; A47L 9/325; A47L 5/362; A47L 5/365; A47L 5/30; A47L 5/36; A47L 5/28; A47L 5/32; A47L 11/4044; A47L 11/302

See application file for complete search history.

(56) **References Cited**

U.S. PATENT DOCUMENTS

D599,513 S *	9/2009	Dyson	D32/32
D600,869 S *	9/2009	Dyson	D32/32
D667,186 S *	9/2012	Codling	D32/33
D751,780 S *	3/2016	Courtney	D32/33
D752,302 S *	3/2016	Courtney	D32/32
D796,136 S *	8/2017	Reynolds	D32/33
D814,724 S *	4/2018	Courtney	D32/32

(Continued)

OTHER PUBLICATIONS

<https://www.mattblatt.com.au/mb/buy/bbo-soft-roller-cleaner-head-for-devanti-vacuum-cleaner-stick-cordless-replacement-newdevvac-cl-bh-bk/> (Year: 2020).*

Primary Examiner — Michelle E. Wilson
Assistant Examiner — Richard E Yenchesky
(74) *Attorney, Agent, or Firm* — Hamre, Schumann, Mueller & Larson, P.C.

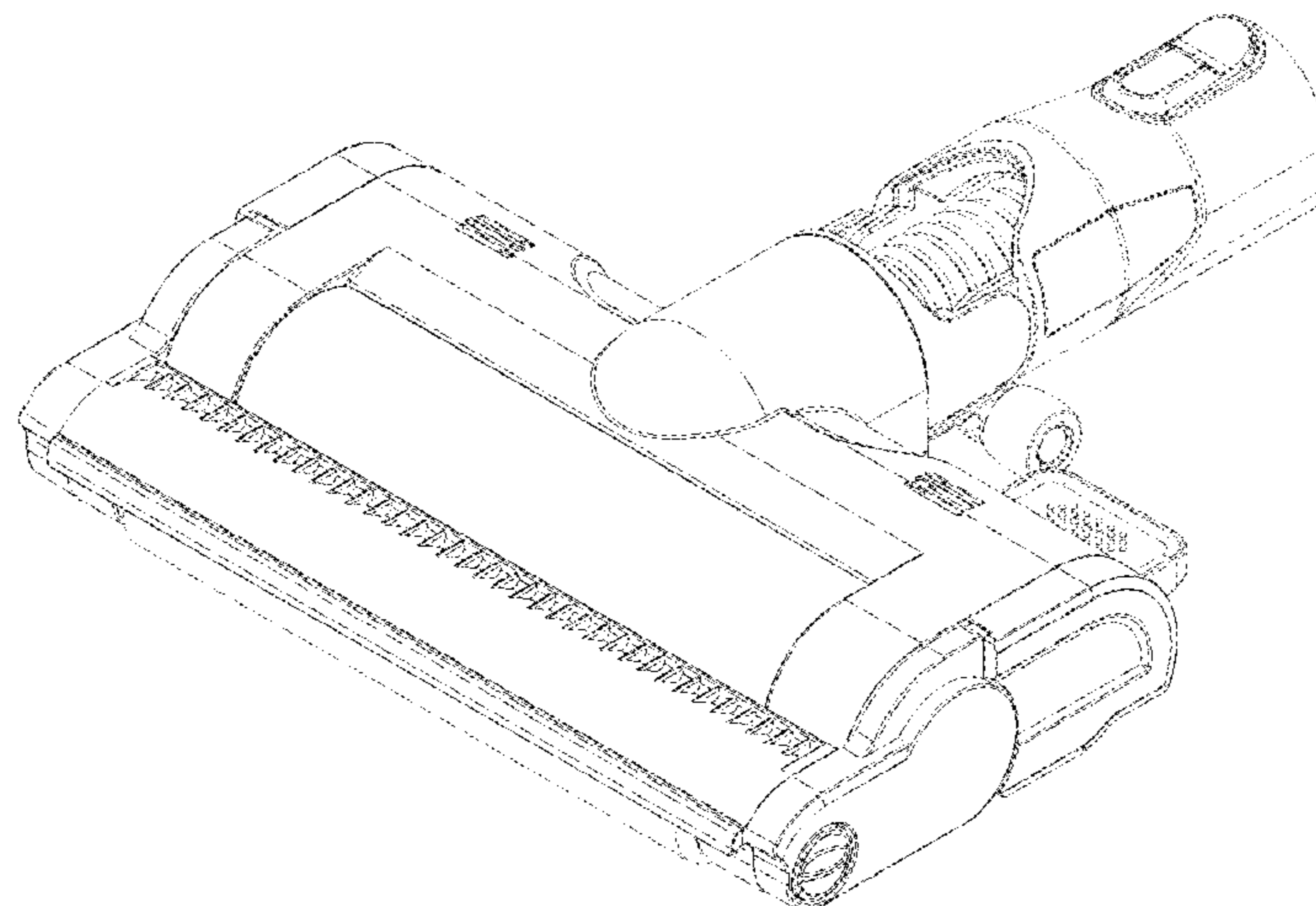
(57) **CLAIM**

The ornamental design for a cleaning head of vacuum cleaner, as shown and described.

DESCRIPTION

FIG. 1 is a top perspective view of a cleaning head of vacuum cleaner showing my new design; FIG. 2 is a front elevational view thereof; FIG. 3 is a rear elevational view thereof; FIG. 4 is a left side view thereof; FIG. 5 is a right side view thereof; FIG. 6 is a top plan view thereof; FIG. 7 is a bottom plan view thereof; FIG. 8 is a bottom perspective view thereof; FIG. 9 is a top perspective view thereof showing the cleaning head of vacuum cleaner in an alternate position; FIG. 10 is a front elevational view thereof in the alternate position of FIG. 9; FIG. 11 is a rear elevational view thereof in the alternate position of FIG. 9; FIG. 12 is a left side view thereof in the alternate position of FIG. 9; FIG. 13 is a right side view thereof in the alternate position of FIG. 9; FIG. 14 is a top plan view thereof in the alternate position of FIG. 9; FIG. 15 is a bottom plan view thereof in the alternate position of FIG. 9; and, FIG. 16 is a bottom perspective view thereof in the alternate position of FIG. 9. The broken lines illustrate environmental subject matter only and form no part of the claimed design.

1 Claim, 12 Drawing Sheets



(56)

References Cited

U.S. PATENT DOCUMENTS

D836,273	S	*	12/2018	Nam	D32/32
D836,868	S	*	12/2018	Nam	D32/32
D839,518	S	*	1/2019	Nam	D32/32
D839,519	S	*	1/2019	Nam	D32/33
D848,098	S	*	5/2019	Nam	D32/32
D848,099	S	*	5/2019	Nam	D32/32
D869,802	S	*	12/2019	Hribar-Green	D32/32
D872,955	S	*	1/2020	Thorne	D32/32
D875,336	S	*	2/2020	Knox	D32/32
D875,337	S	*	2/2020	Knox	D32/32
D879,398	S	*	3/2020	Burgess	D32/32
D880,090	S	*	3/2020	Tokoi	D32/32
D882,196	S	*	4/2020	Lee	D32/33
2014/0137366	A1	*	5/2014	Elsdon	A47L 9/04 15/363
2018/0055313	A1	*	3/2018	Yang	A47L 9/066
2020/0000304	A1	*	1/2020	Holmes	A47L 9/0477
2020/0029761	A1	*	1/2020	Knight Adams	A47L 9/02
2020/0214523	A1	*	7/2020	Kim	A47L 9/02
2020/0221914	A1	*	7/2020	Kim	A47L 9/242
2020/0245831	A1	*	8/2020	Peng	A47L 9/02

* cited by examiner

Fig. 1

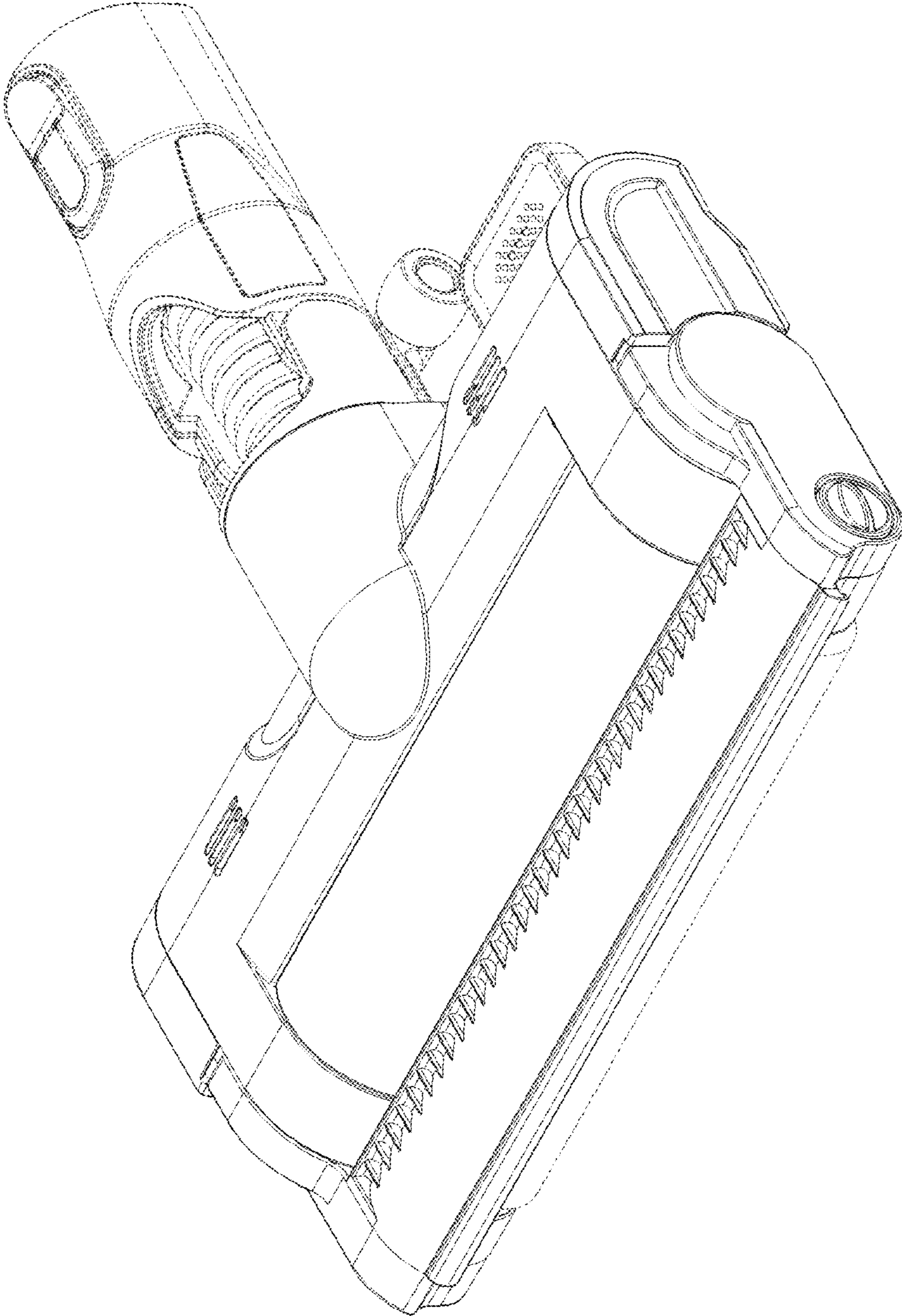


Fig. 2

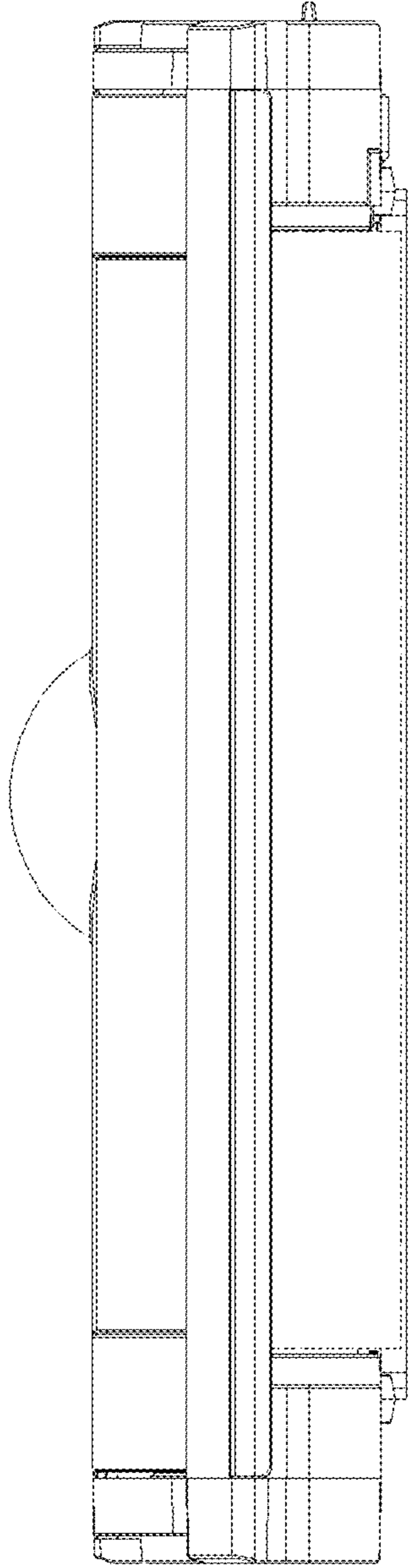


Fig. 3

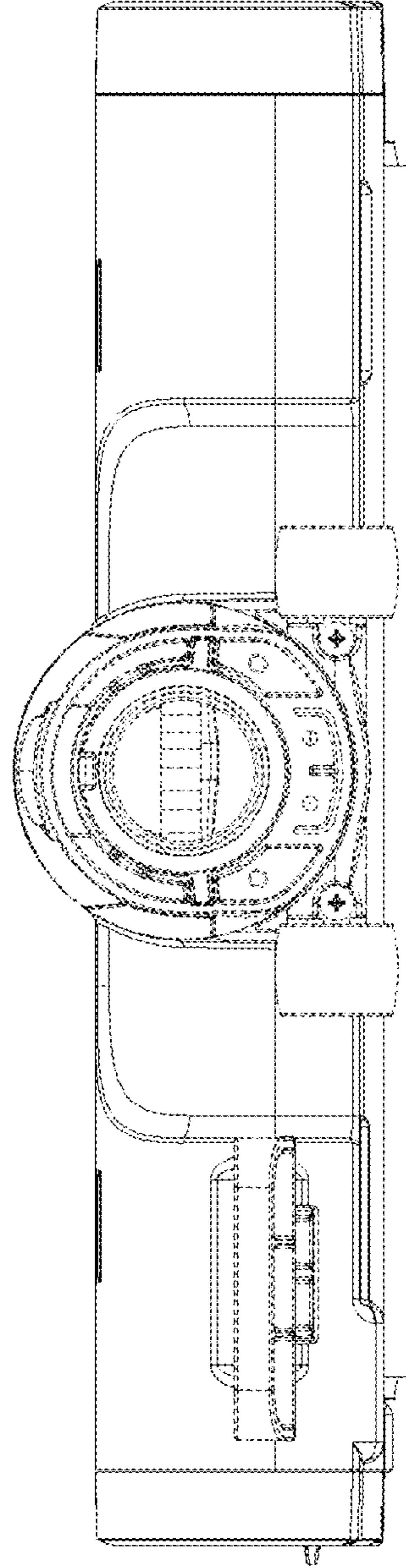


Fig. 4

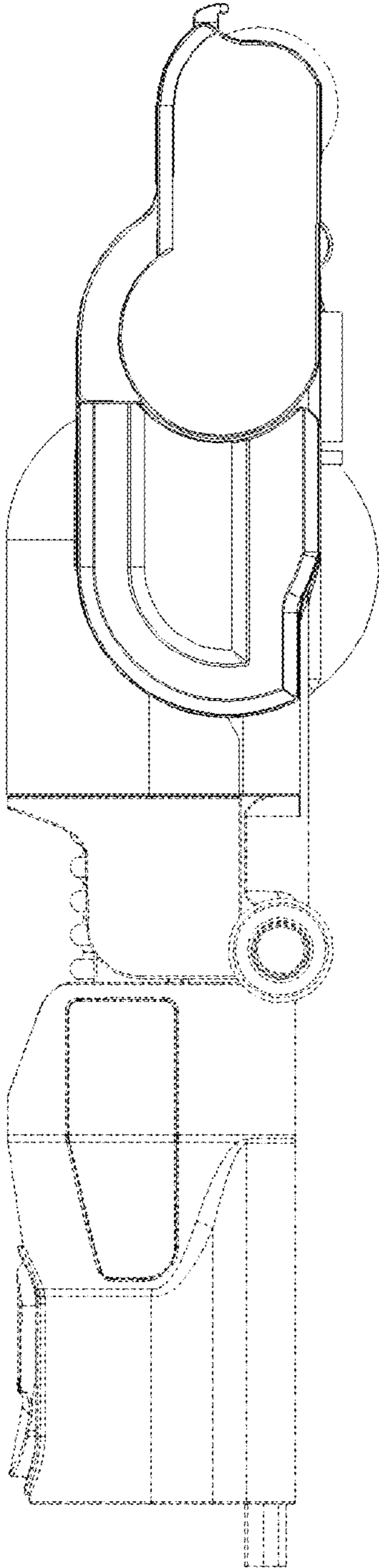


Fig. 5

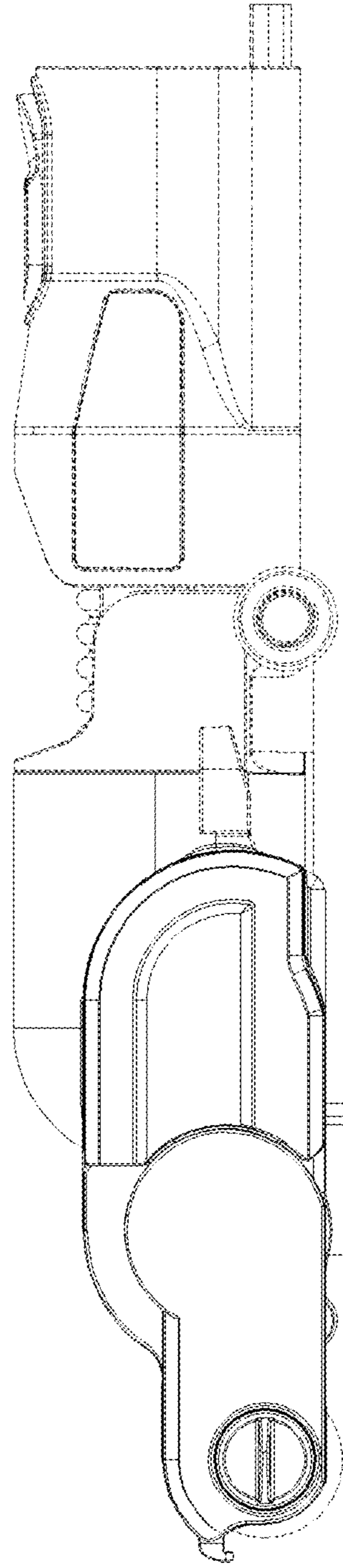


Fig. 6

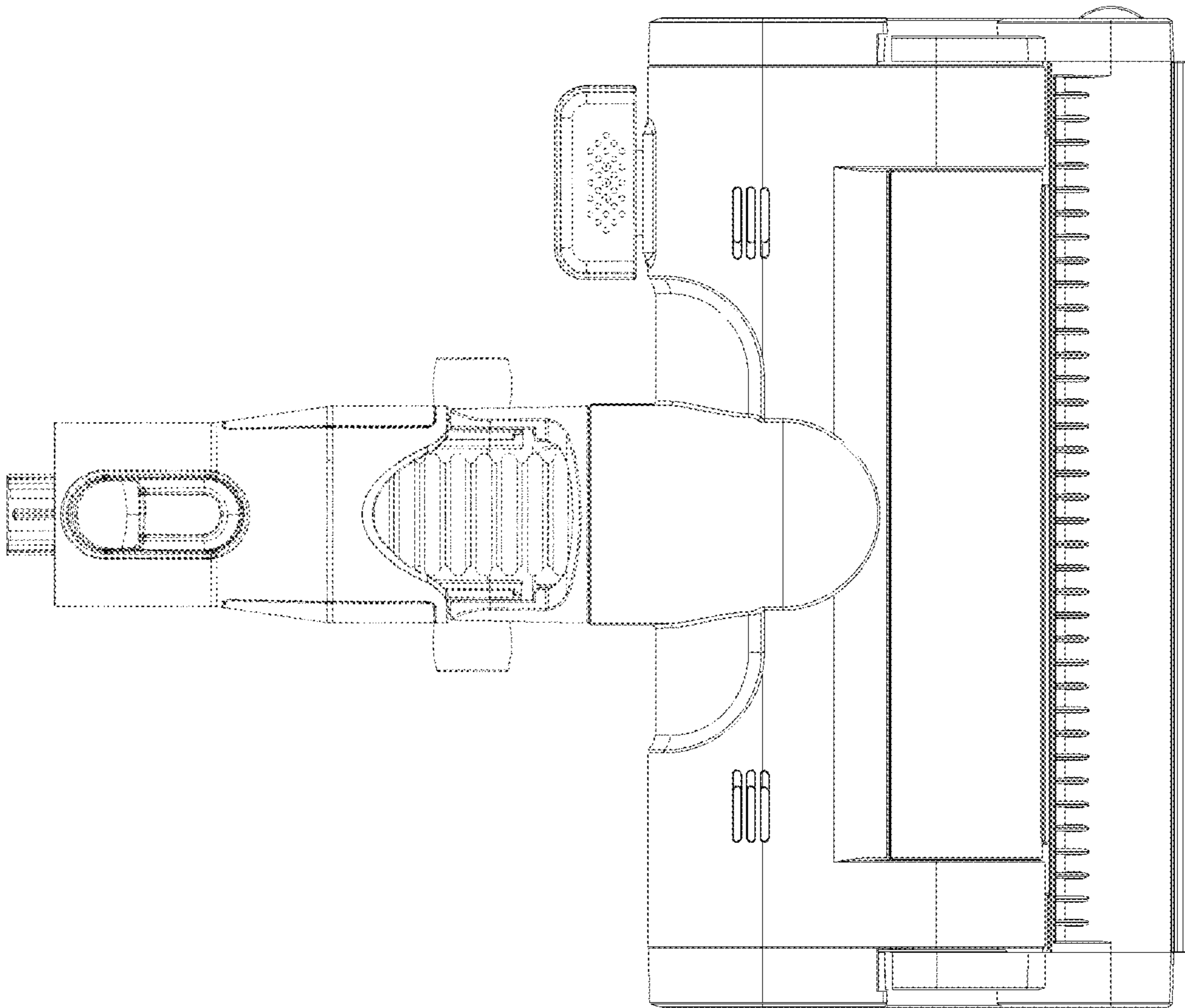


Fig. 7

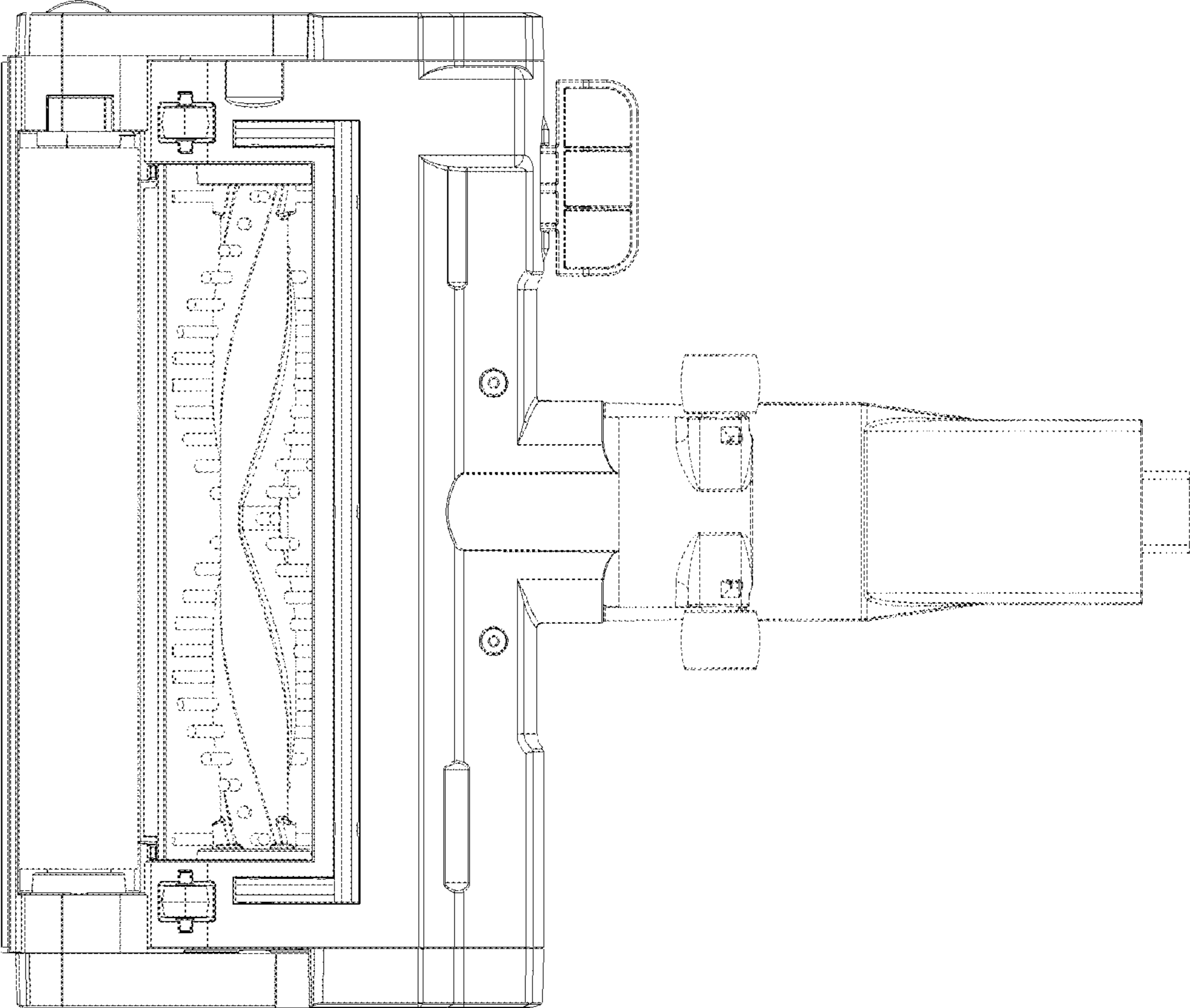


Fig. 8

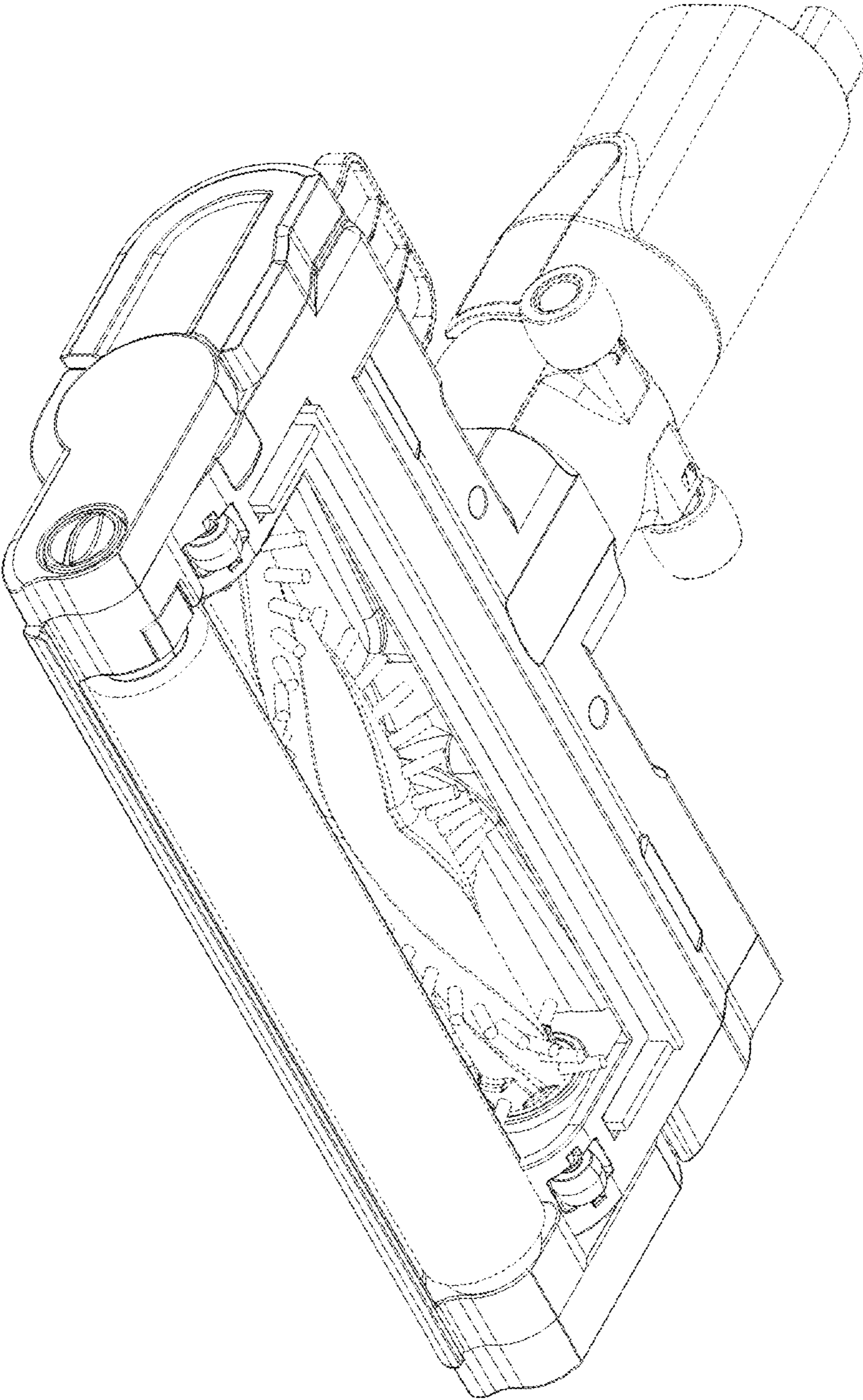


Fig. 9

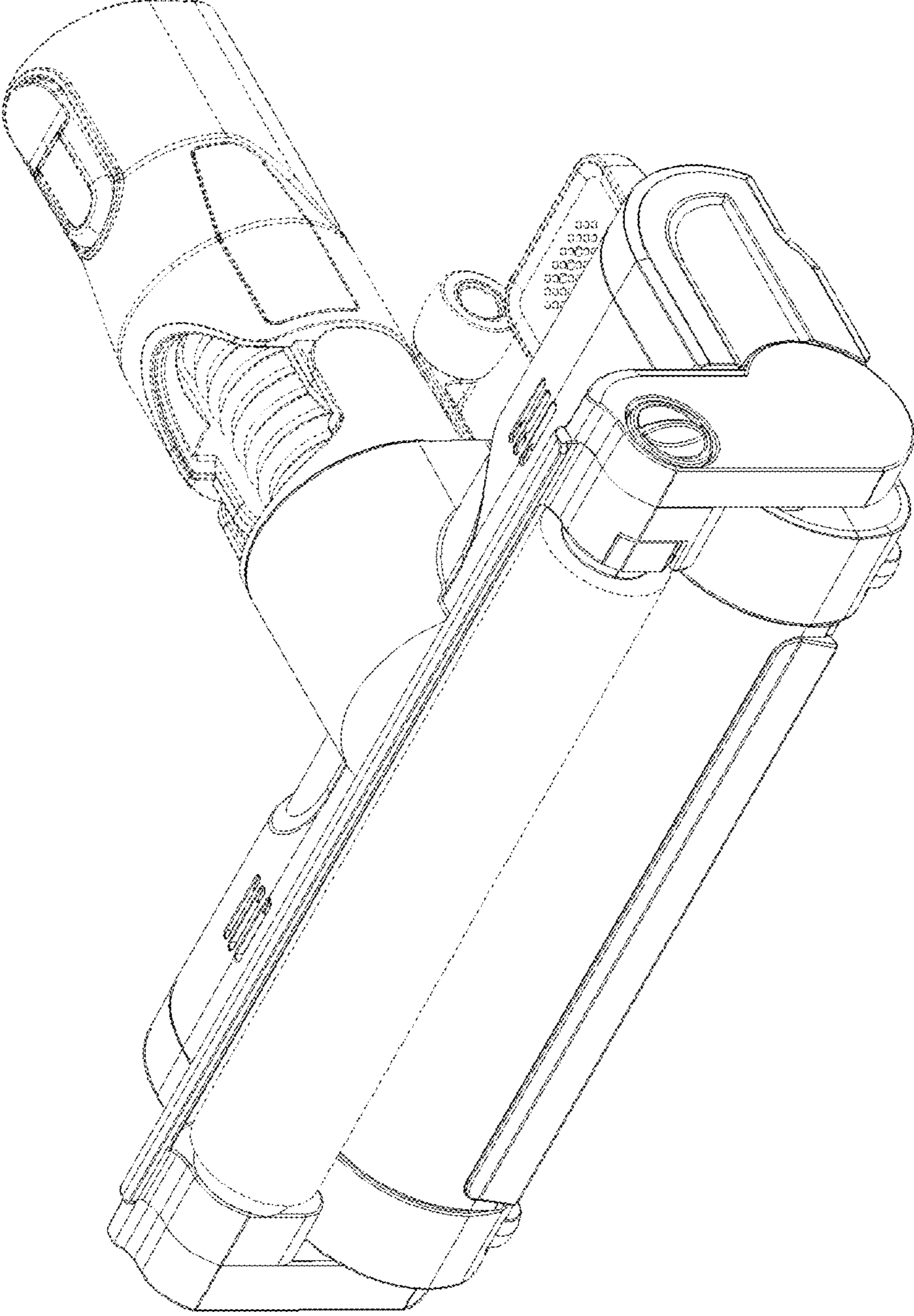


Fig. 10

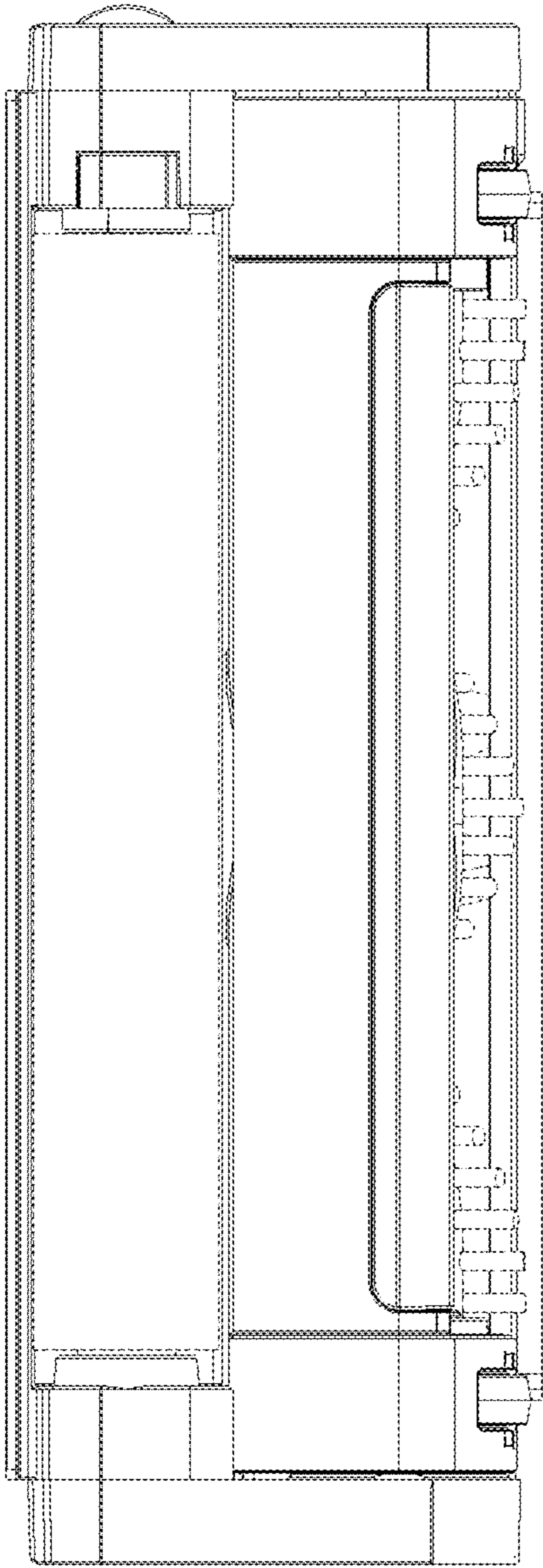


Fig. 11

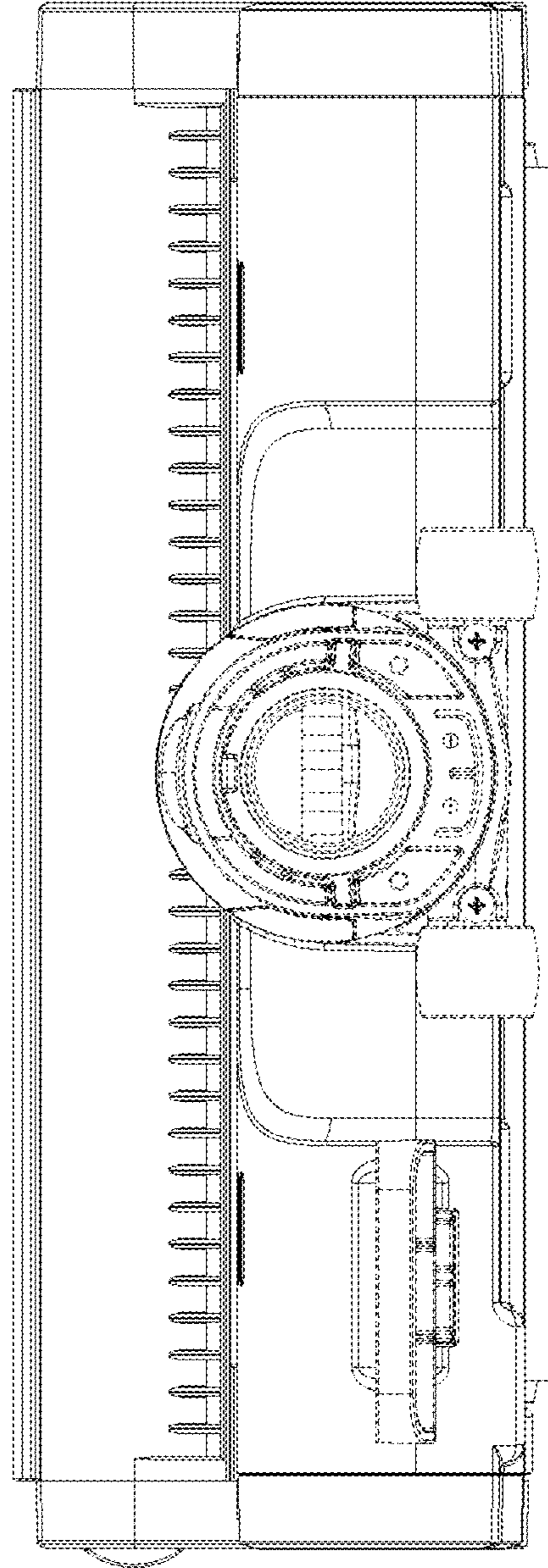


Fig. 12

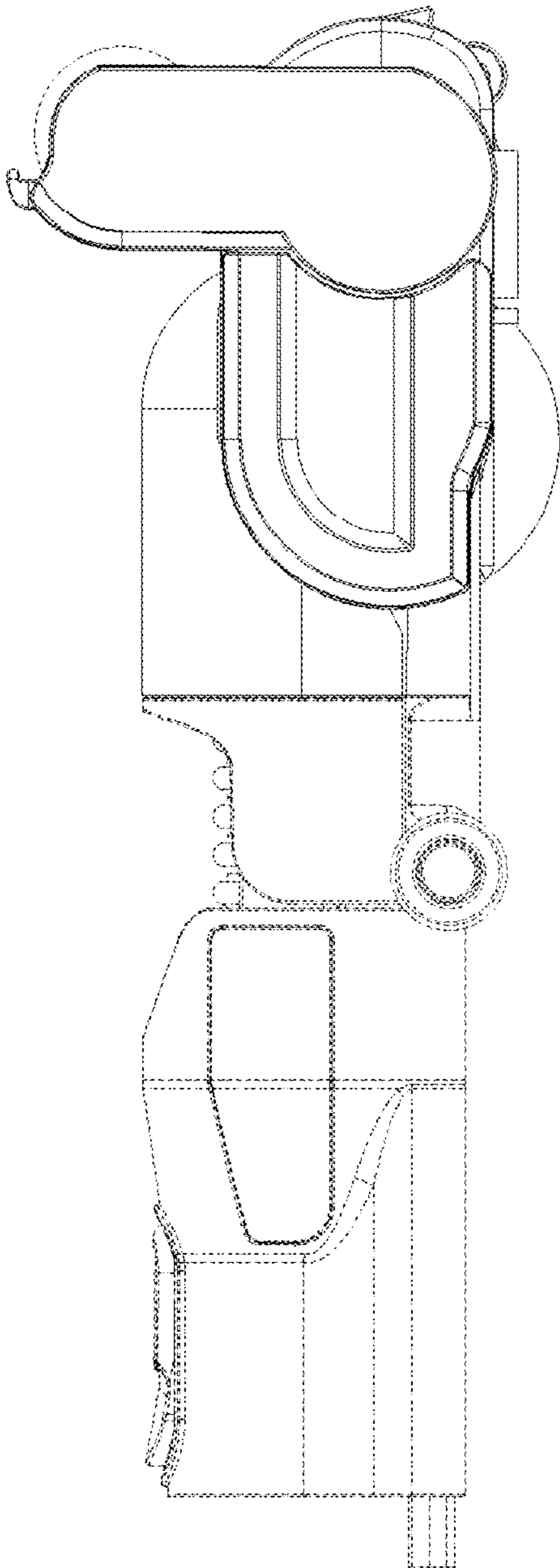


Fig. 13

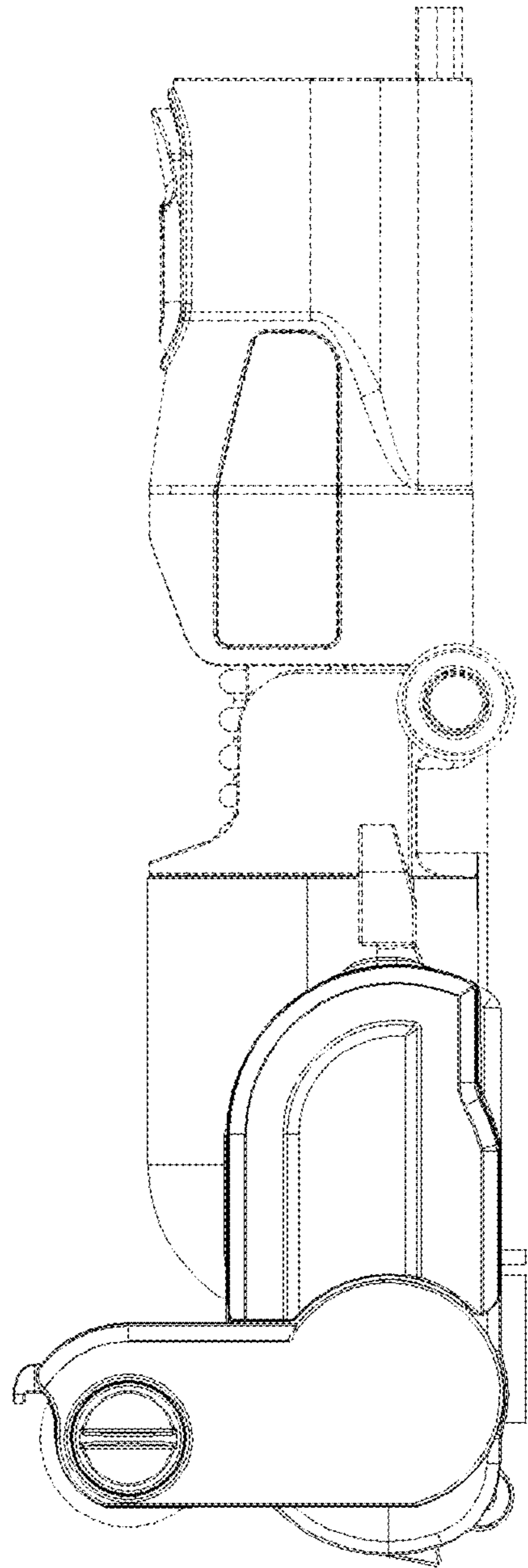


Fig. 14

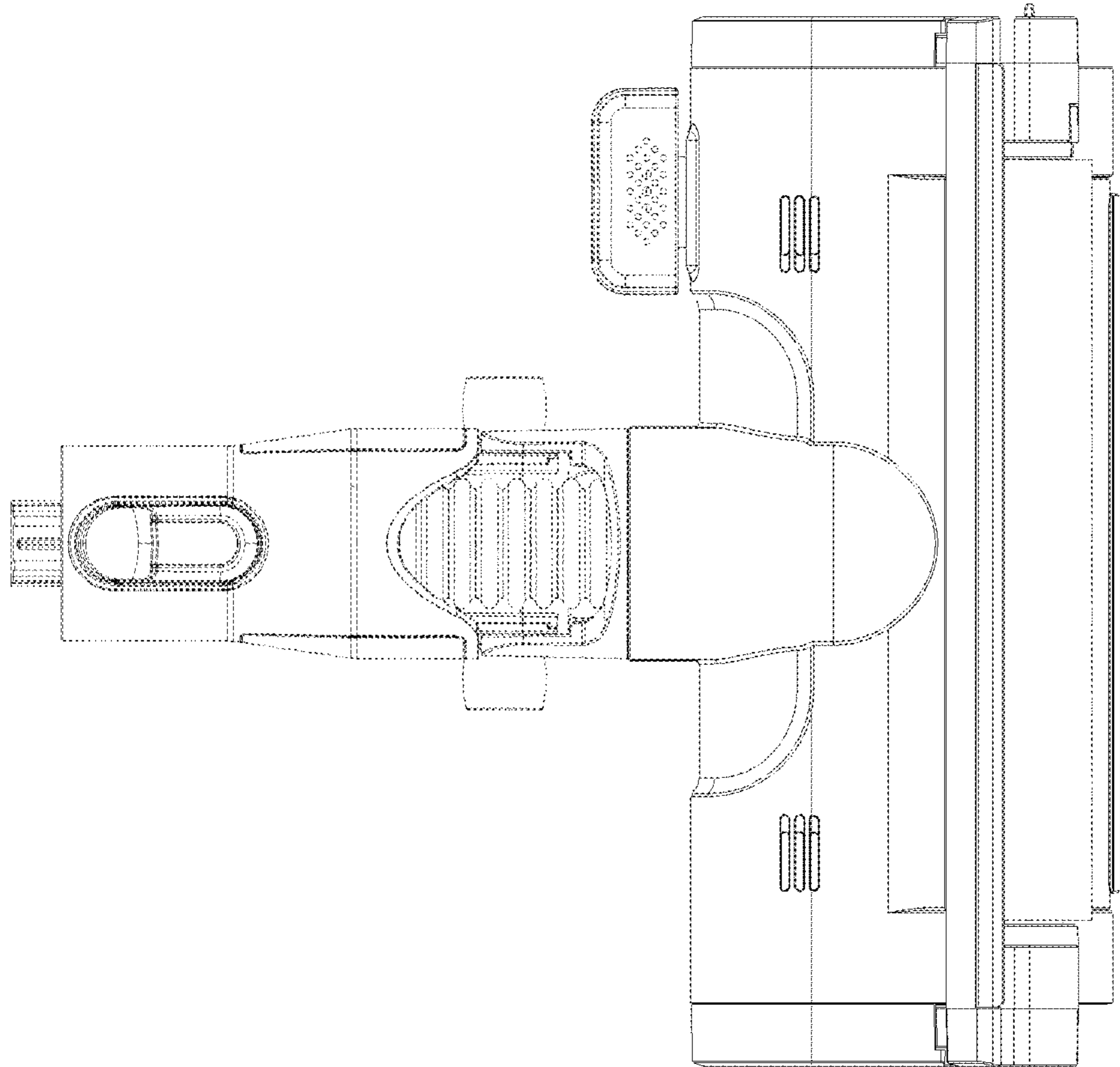


Fig. 15

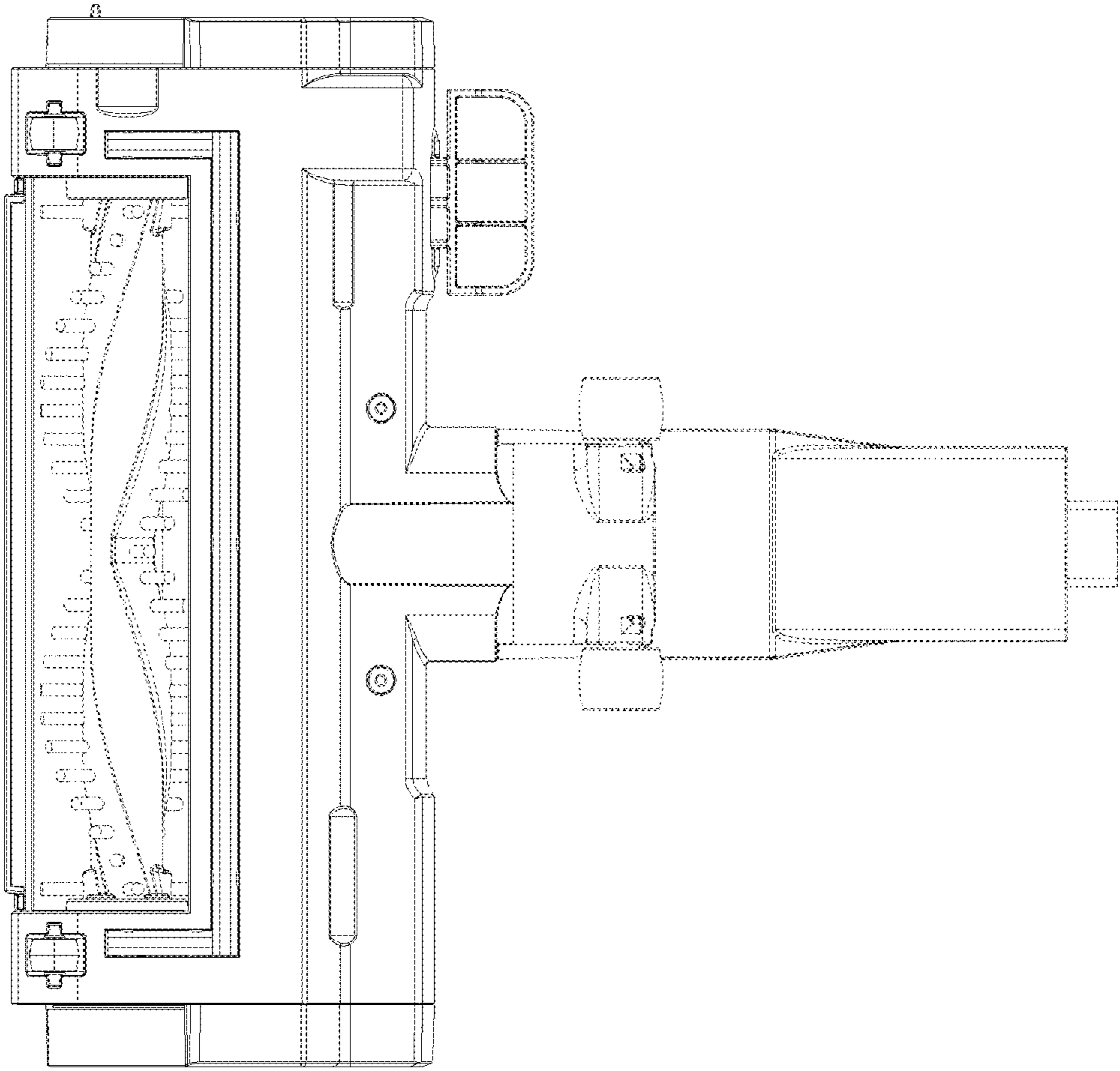


Fig. 16

