



US00D912347S

(12) **United States Design Patent**
Benacquisto

(10) **Patent No.:** **US D912,347 S**

(45) **Date of Patent:** **** Mar. 2, 2021**

(54) **CREVICE TOOL FOR A VACUUM CLEANER**

(71) Applicant: **BISSELL Homecare, Inc.**, Grand Rapids, MI (US)

(72) Inventor: **Justin Benacquisto**, Grand Rapids, MI (US)

(73) Assignee: **BISSELL Inc.**, Grand Rapids, MI (US)

(**) Term: **15 Years**

(21) Appl. No.: **29/670,386**

(22) Filed: **Nov. 15, 2018**

(51) **LOC (13) Cl.** **15-05**

(52) **U.S. Cl.**
USPC **D32/32**

(58) **Field of Classification Search**
USPC D32/17, 18, 20, 19, 21, 22, 23, 24, 25,
D32/31, 32, 33, 34
CPC . A47L 11/202; A47L 5/24; A47L 9/06; A47L
7/0095; A47L 9/02; A47L 9/0606; A47L
9/0613; A47L 9/062; A47L 9/00; A47L
9/10; A47L 9/30; A47L 9/0693; A47L
7/009; A47L 7/0066

See application file for complete search history.

(56) **References Cited**

U.S. PATENT DOCUMENTS

D217,285 S * 4/1970 Anderson D32/31
5,983,443 A * 11/1999 Redding A47L 9/30
15/324

D453,866 S * 2/2002 Nighy D32/31
D545,512 S * 6/2007 Genoa D32/31
7,328,479 B2 * 2/2008 Willenbring A47L 9/2805
15/319
D610,760 S * 2/2010 Zugen D32/31
D666,371 S * 8/2012 Bilger D32/31
D779,753 S * 2/2017 Mikula D32/32
9,649,001 B2 * 5/2017 Lee A47L 9/02
9,700,187 B2 * 7/2017 Schultz A47L 9/30
D806,331 S * 12/2017 Chu D32/18
D873,516 S * 1/2020 Palladino D32/32
10,638,902 B2 * 5/2020 Acker A47L 5/36

* cited by examiner

Primary Examiner — Kimberly Barnes

(74) *Attorney, Agent, or Firm* — Warner Norcross + Judd LLP

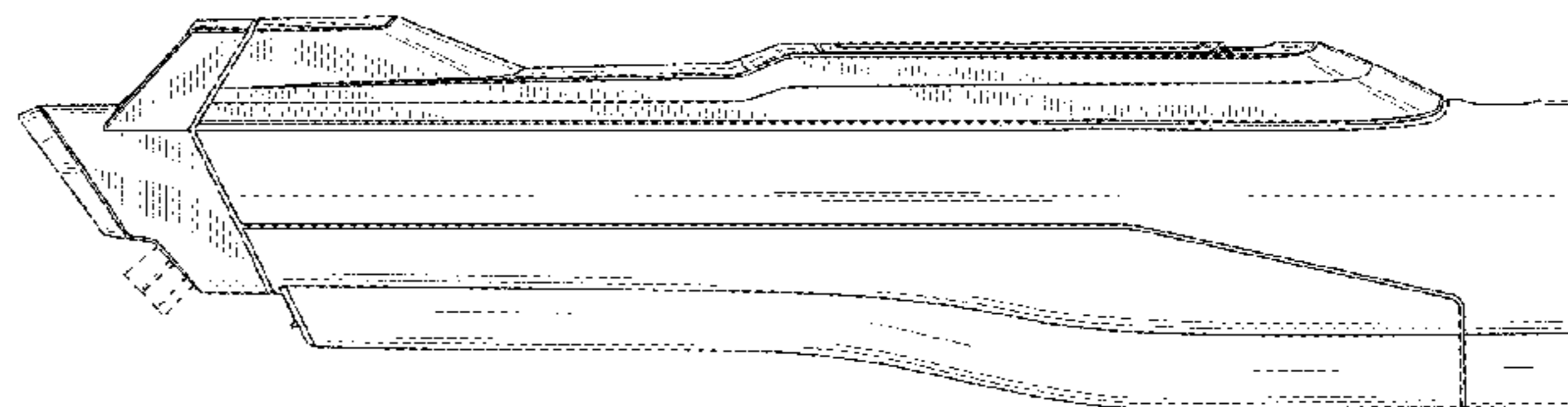
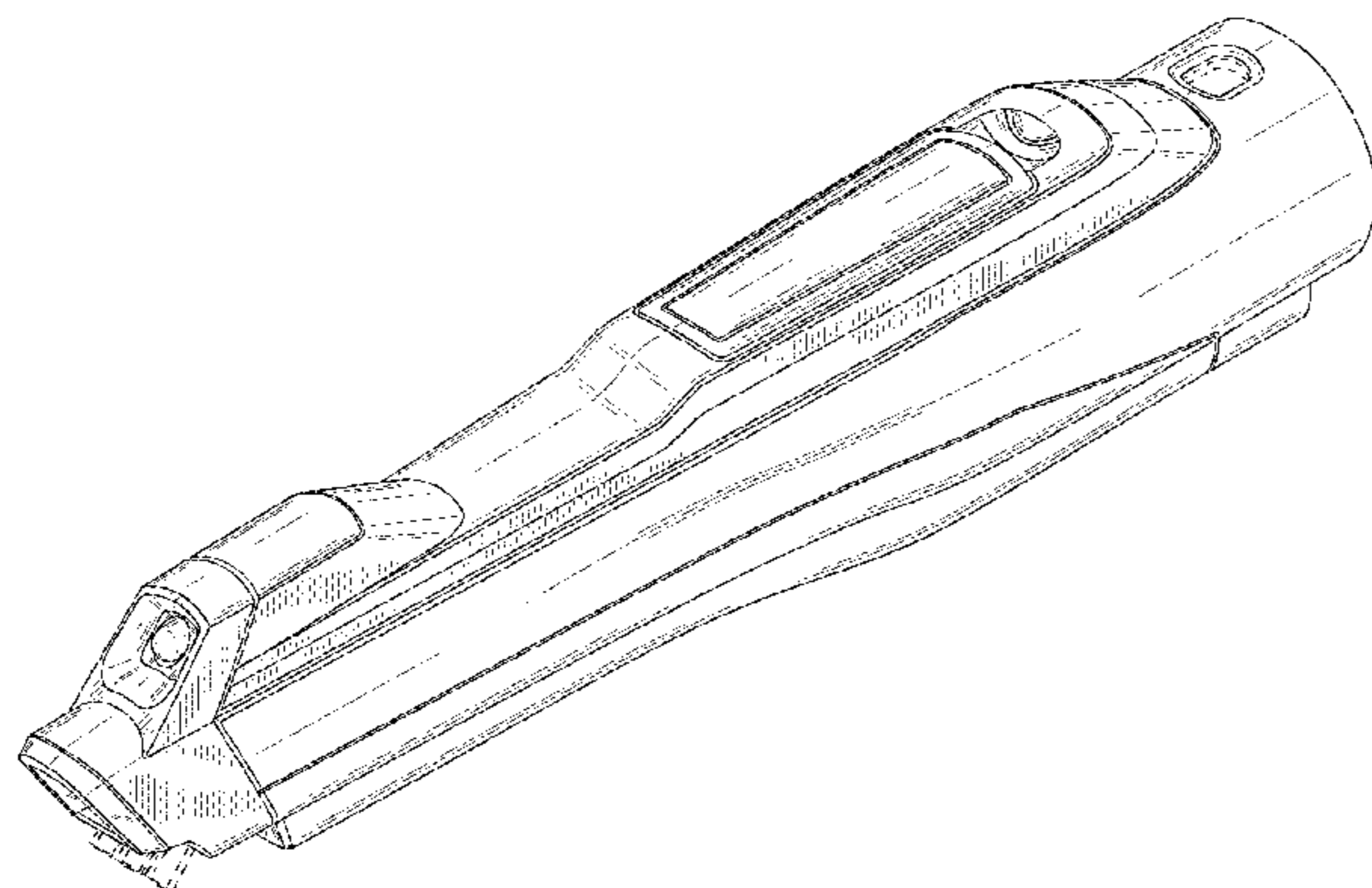
(57) **CLAIM**

The ornamental design for a crevice tool for a vacuum cleaner, as shown and described.

DESCRIPTION

FIG. 1 is a front perspective view of a crevice tool for a vacuum cleaner showing my new design;
FIG. 2 is a top view thereof;
FIG. 3 is a bottom view thereof;
FIG. 4 is a right side view thereof, the left side being a mirror image;
FIG. 5 is a front view thereof; and,
FIG. 6 is a rear view thereof.
The details shown in broken lines form no part of the claimed design.

1 Claim, 4 Drawing Sheets



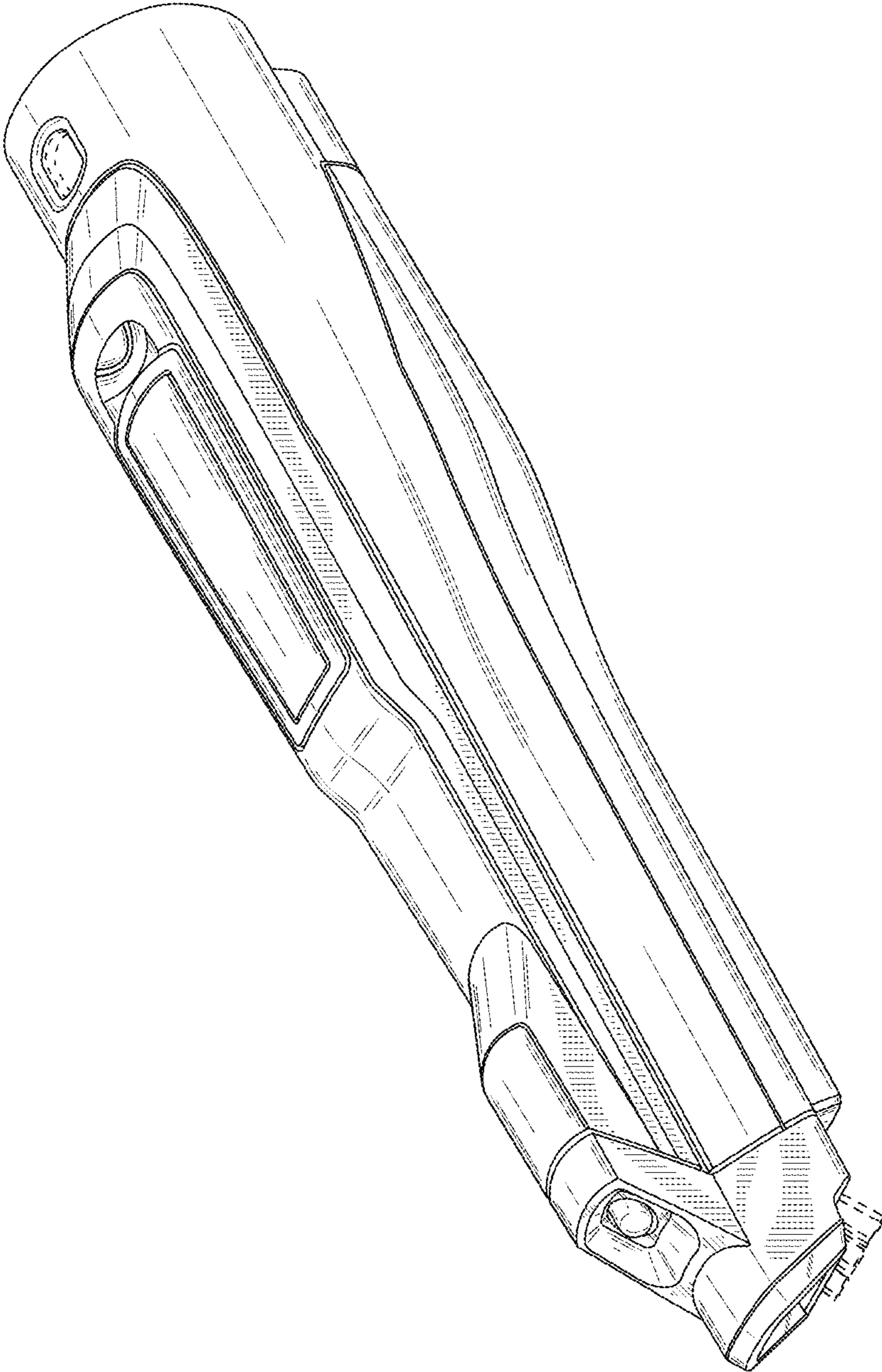


FIG. 1

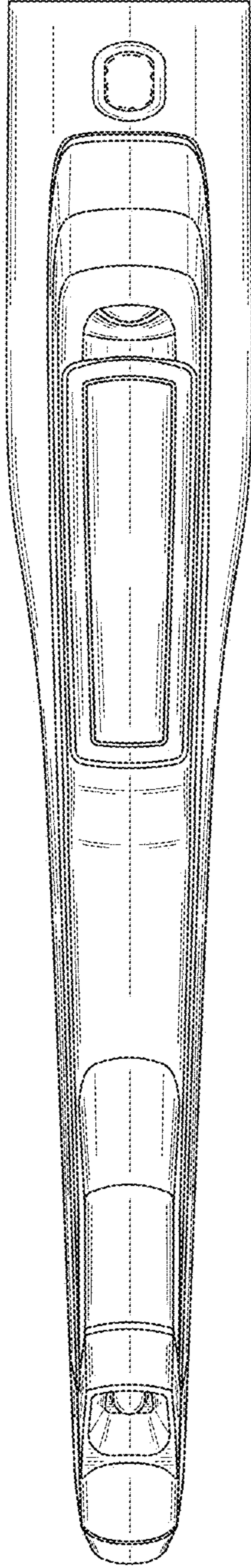


FIG. 2

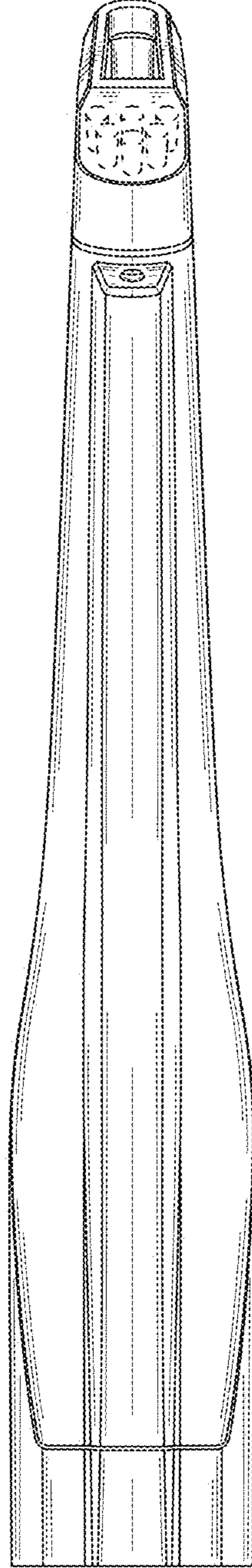


FIG. 3

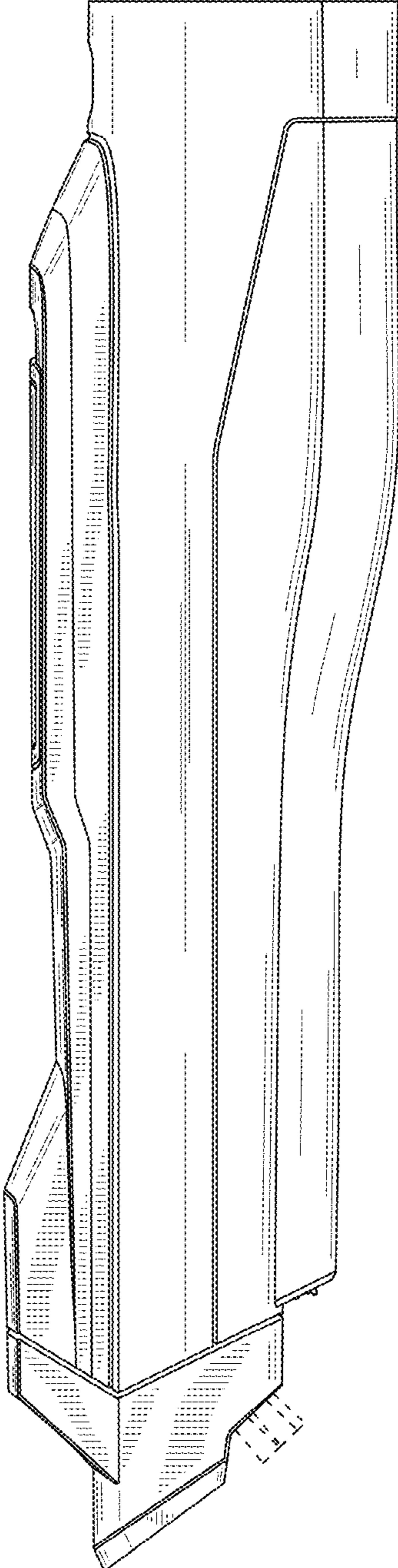


FIG. 4

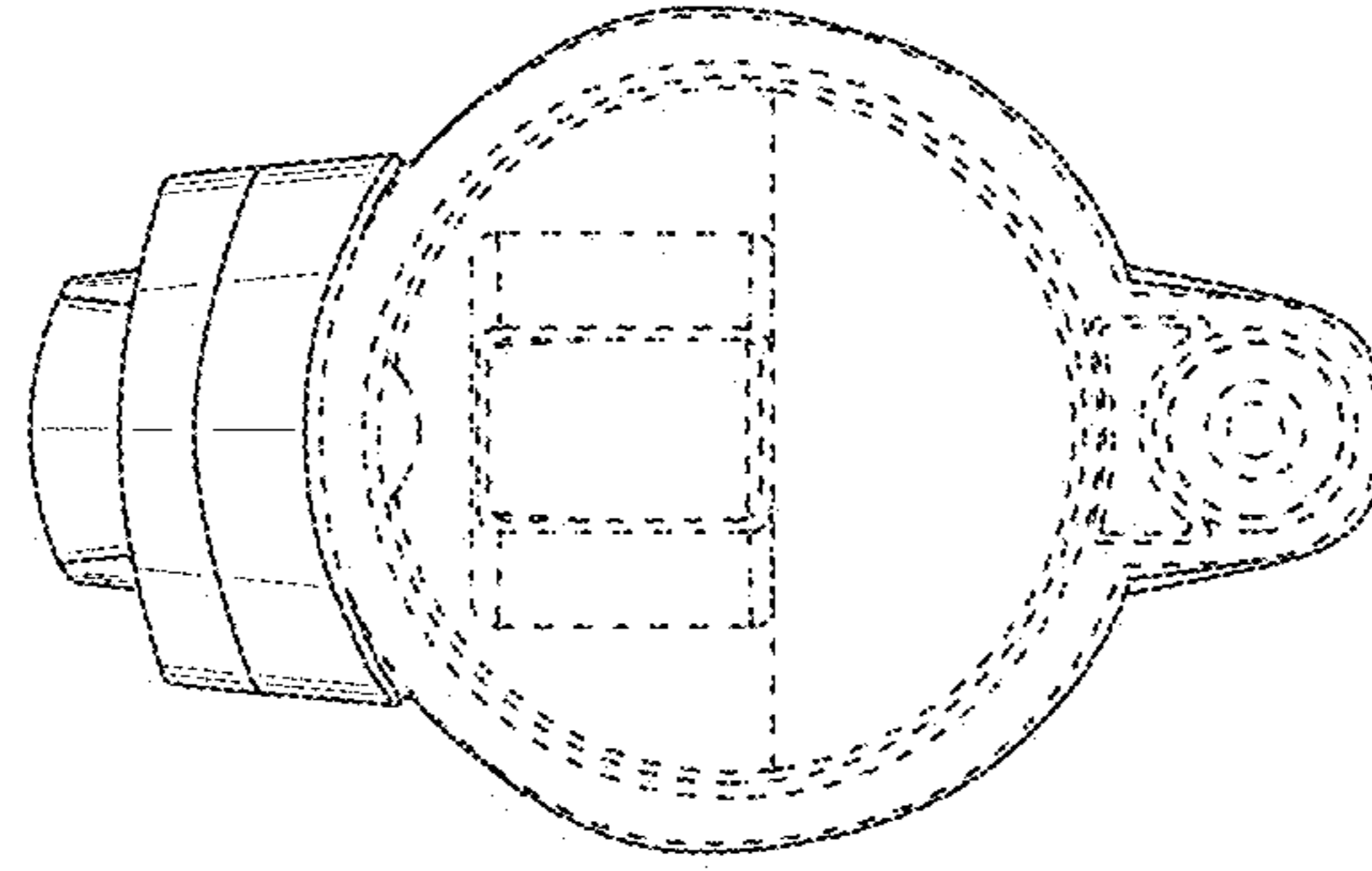


FIG. 6

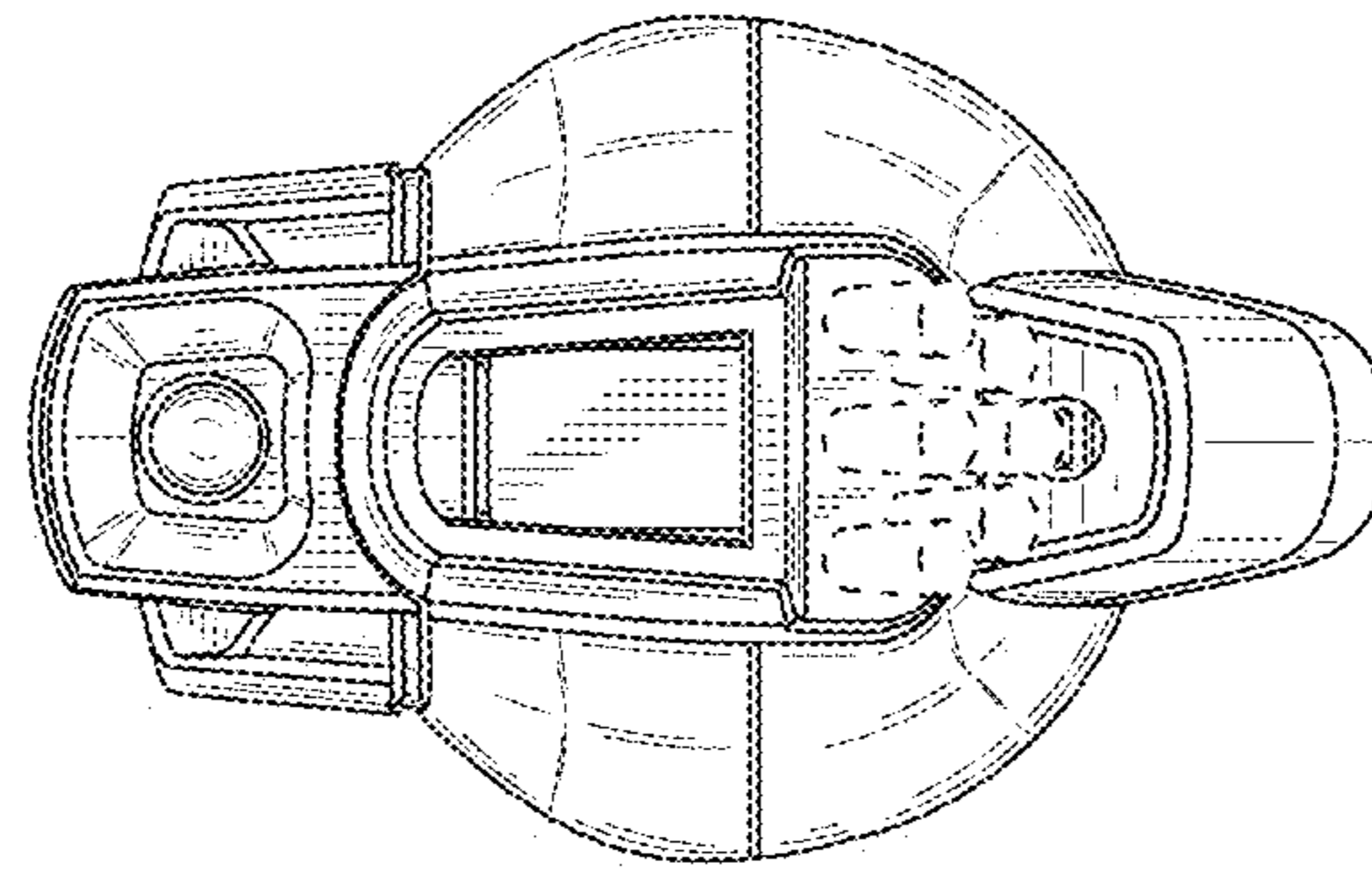


FIG. 5