



US00D912346S

(12) **United States Design Patent**
Lee et al.

(10) **Patent No.:** **US D912,346 S**
(45) **Date of Patent:** **** Mar. 2, 2021**

(54) **STAND FOR CLEANER**

- (71) Applicant: **Samsung Electronics Co., Ltd.**, Suwon-si (KR)
- (72) Inventors: **Hwandong Lee**, Seoul (KR); **Hyungsub Choi**, Goyang-si (KR)
- (73) Assignee: **SAMSUNG ELECTRONICS CO., LTD.**, Gyeonggi-do (KR)
- (**) Term: **15 Years**
- (21) Appl. No.: **29/681,742**
- (22) Filed: **Feb. 27, 2019**

(30) **Foreign Application Priority Data**

Aug. 29, 2018 (KR) 30-2018-0040335

(51) **LOC (13) Cl.** **15-05**

(52) **U.S. Cl.**
USPC **D32/31; D32/22**

(58) **Field of Classification Search**
USPC D4/119; D6/329, 672, 681.1; D14/224, D14/447; D21/526; D32/15, 17, 18, 21, D32/23, 24, 31
CPC ... A47L 5/24; A47L 5/225; A47L 5/28; A47L 5/30; A47L 5/34; A47L 5/362; A47L 5/365; A47L 9/0018; A47L 9/0054; A47L 9/0063;

(Continued)

(56) **References Cited**

U.S. PATENT DOCUMENTS

D323,085 S * 1/1992 Konkel 248/158
D378,265 S * 3/1997 Vicard D6/681.1

(Continued)

FOREIGN PATENT DOCUMENTS

CN 304056964 2/2017
CN 304606815 5/2018

(Continued)

OTHER PUBLICATIONS

Jet 90 Cordless Stick Vacuum, available in Samsung.com, announced Year 2020 [online], [site visited Oct. 30, 2020], Available from the internet URL: <https://www.samsung.com/us/home-appliances/vacuums/jet-stick/jet-90-cordless-stick-vacuum-with-turbo-action-brush-in-titan-chrometal-vs20r9046t3-aa/> (Year: 2020).*

(Continued)

Primary Examiner — Dana K Weiland

Assistant Examiner — Jennylou M Binas

(74) *Attorney, Agent, or Firm* — Cantor Colburn LLP

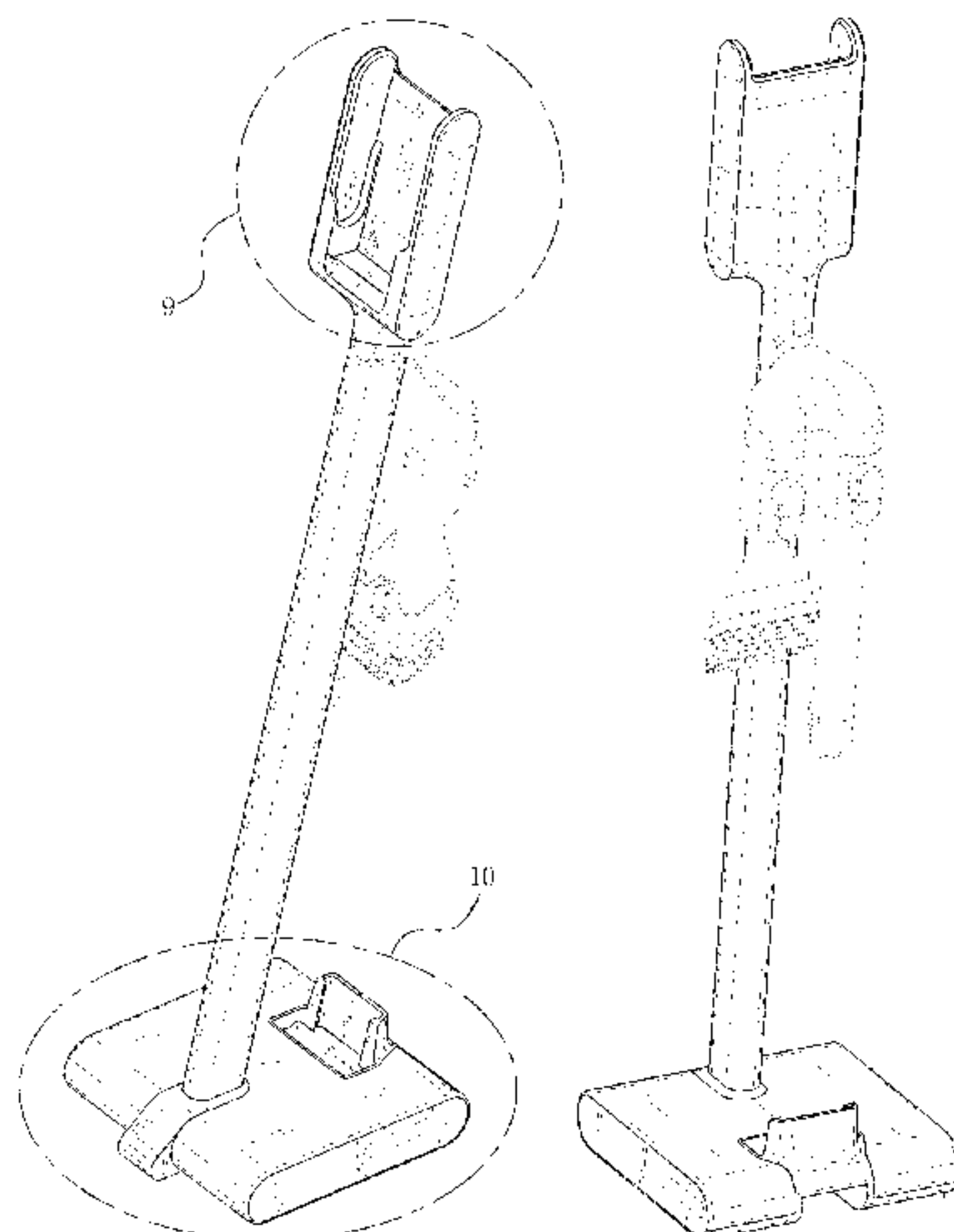
(57) **CLAIM**

The ornamental design for a stand for cleaner, as shown and described.

DESCRIPTION

FIG. 1 is a front perspective view of a stand for cleaner, showing our new design;
FIG. 2 is a front view thereof;
FIG. 3 is a rear view thereof;
FIG. 4 is a left side view thereof;
FIG. 5 is a right side view thereof;
FIG. 6 is a top view thereof;
FIG. 7 is a bottom view thereof;
FIG. 8 is a rear perspective view thereof;
FIG. 9 is an enlarged view of the encircled portion 9 in FIG. 1;
FIG. 10 is an enlarged view of the encircled portion 10 in FIG. 1; and,
FIG. 11 is a front perspective view of the stand for cleaner of FIG. 1, shown with environmental structure.
The even-dash broken lines illustrating portions of the stand for cleaner and environmental structure form no part of the claimed design. The dot-dash broken lines encircling enlargement portions of the claimed design form no part of the claimed design.

1 Claim, 10 Drawing Sheets



(58) **Field of Classification Search**

CPC ... A47L 9/0411; A47L 9/1409; A47L 9/1481;
 A47L 9/16; A47L 9/1608; A47L 9/1675;
 A47L 9/1683; A47L 9/1691; A47L
 9/2852; A47L 9/32; A47L 9/322; A47L
 9/325; A47L 11/20; A47L 11/24; A47L
 11/26; A47L 11/28; A47L 11/30; A47L
 11/302; A47L 11/34; A47L 11/4011;
 A47L 11/4036; A47L 11/4044; A47L
 11/4052; A47L 11/4083; A47L 13/225;
 A47L 2201/00; A47L 2201/022; A14L
 7/0004; A14L 7/0095; B23Q 11/0046;
 B23Q 11/0071; B25D 16/00; B04C 1/00;
 B04C 5/185; D01H 11/005; D01H 5/645;
 F26B 11/12

See application file for complete search history.

(56) **References Cited**

U.S. PATENT DOCUMENTS

D426,540 S * 6/2000 Tejima D14/224
 D549,232 S * 8/2007 Li D14/434
 D671,545 S * 11/2012 Guran D14/447
 D688,072 S * 8/2013 Hennessey D6/682
 D707,230 S * 6/2014 Castronovo D14/447
 9,155,431 B2 * 10/2015 Dyson A47L 9/0063
 D759,920 S * 6/2016 Gray D32/31
 D767,222 S * 9/2016 Houghton D32/31
 D776,888 S * 1/2017 Gu D32/22
 D837,144 S * 1/2019 Nam D13/107
 10,314,453 B2 * 6/2019 Kim A47L 5/28
 D855,038 S * 7/2019 Hu D14/224
 10,405,719 B2 * 9/2019 Kim A47L 5/26

D867,794 S * 11/2019 Nakamura D6/675
 D883,297 S * 5/2020 Latto D14/447
 D884,711 S * 5/2020 Zhang D14/447
 D885,094 S * 5/2020 Cao D6/682.2
 10,660,493 B2 * 5/2020 Kim A47L 9/2884
 D900,118 S * 10/2020 Barnard D14/447
 2011/0219571 A1 * 9/2011 Dyson A47L 9/2873
 15/344
 2016/0174787 A1 * 6/2016 Conrad A47L 5/28
 15/329
 2019/0365171 A1 * 12/2019 Ko A47L 9/242

FOREIGN PATENT DOCUMENTS

CN 305459646 * 11/2019
 JP D1624772 * 2/2019
 KR 300864463 7/2017
 KR 300963473 6/2018
 KR 300963658 7/2018
 KR 301015886 * 7/2019
 KR 301025497 * 9/2019
 KR 301036106 * 12/2019
 WO D202089-001 * 8/2019

OTHER PUBLICATIONS

Samsung Powerstick Jet, announced in YouTube on Mar. 10, 2019 [online], [site visited Oct. 19, 2020], Available from the internet URL: <https://www.youtube.com/watch?v=QtbvCHQ3Sts> (Year: 2019).*
 Vacuum Stand for Dyson, available Amazon.com, customer review oldest date Apr. 30, 2020 [online],[site visited Oct. 30, 2020], Internet URL: <https://www.amazon.com/Vacuum-Stand-Dyson-V11-V10/dp/B08CVRH3MF?th=1> (Year: 2019).*

* cited by examiner

FIG. 1

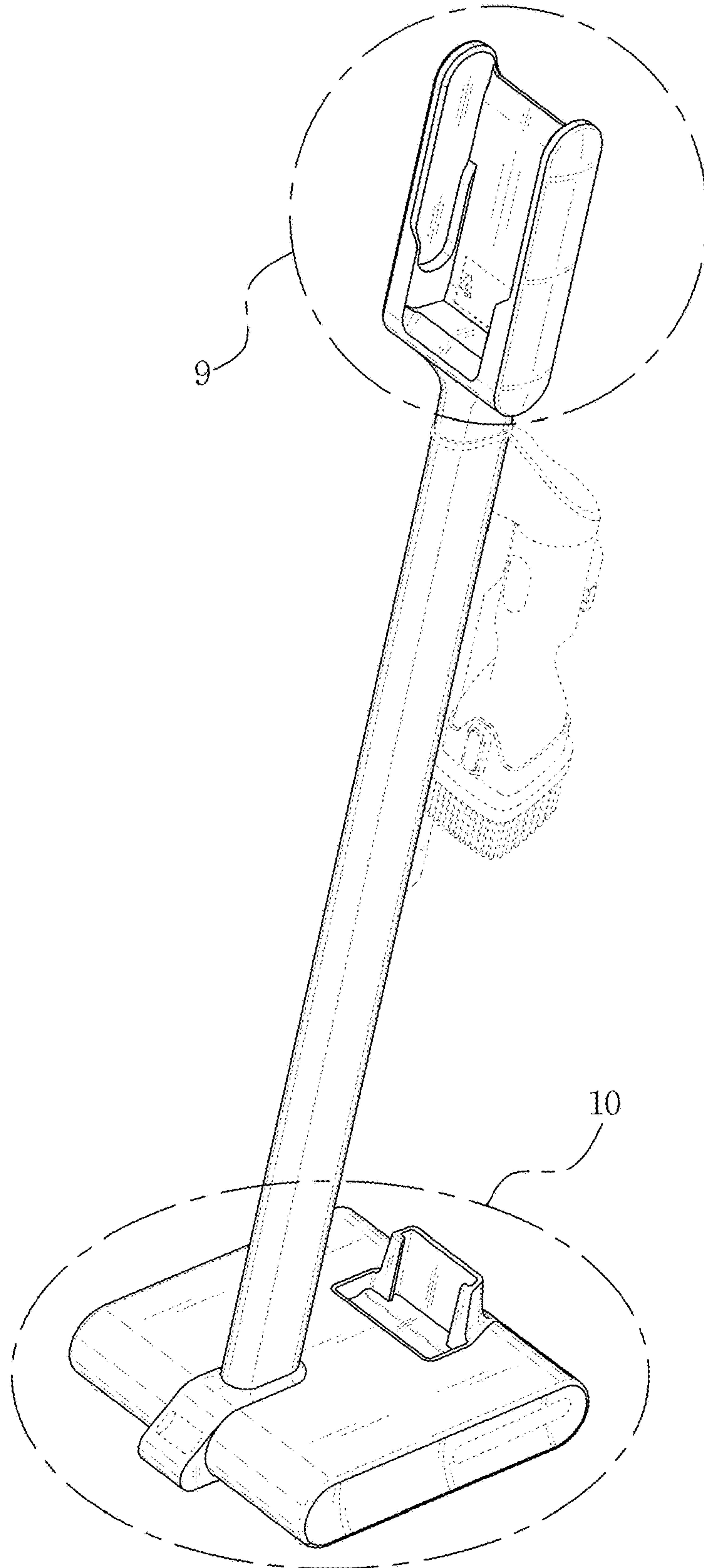


FIG. 2

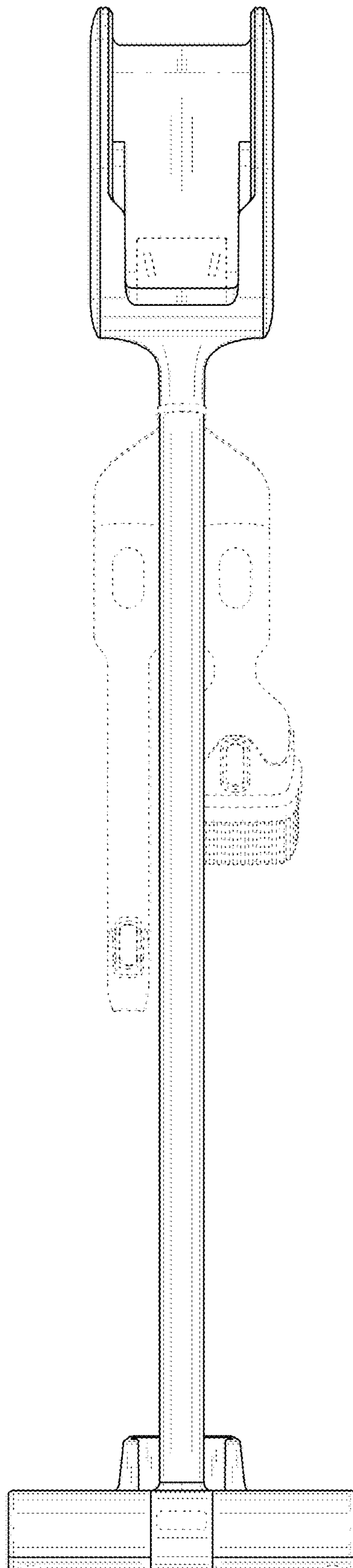


FIG. 3

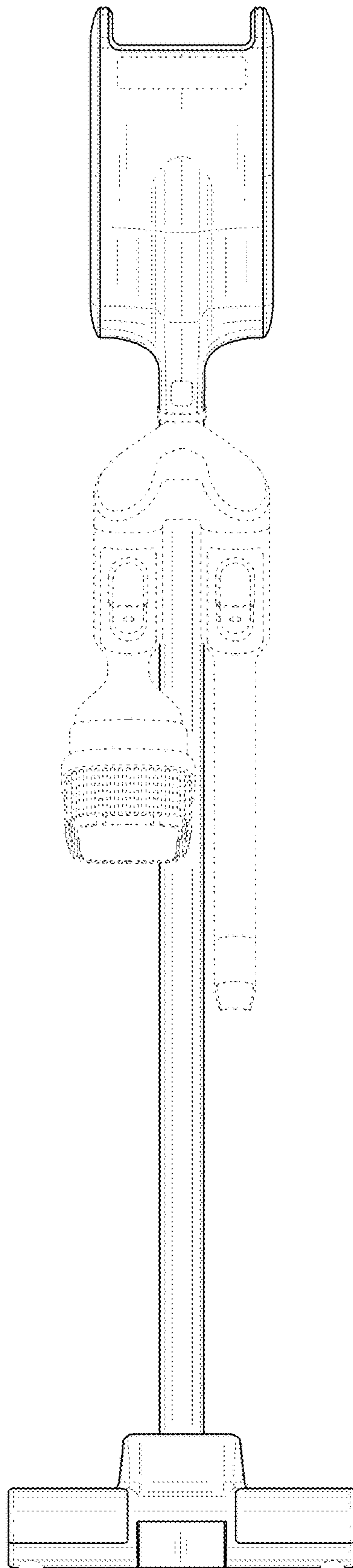


FIG. 4

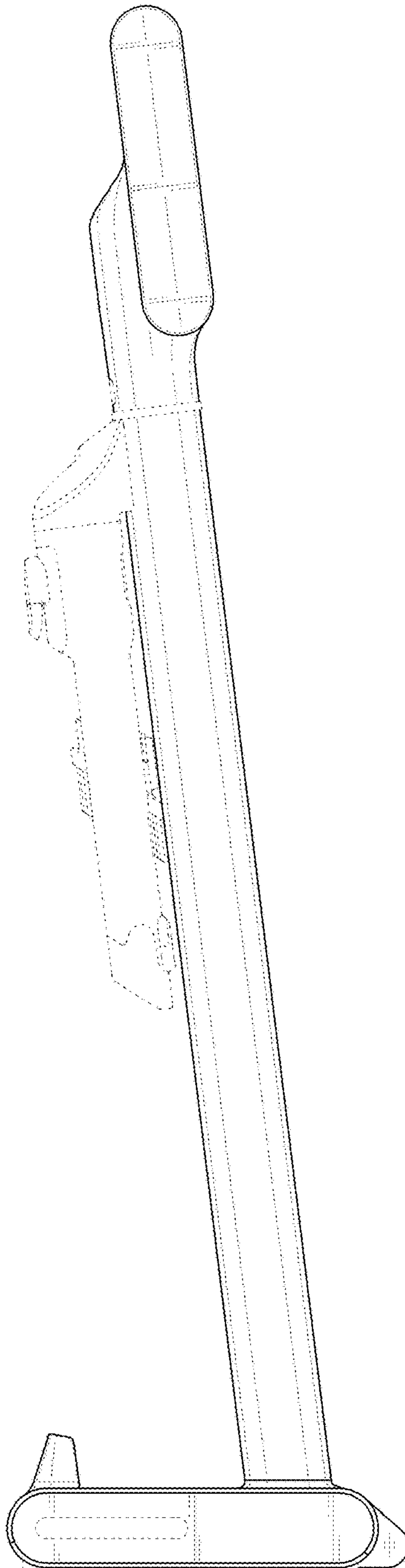


FIG. 5

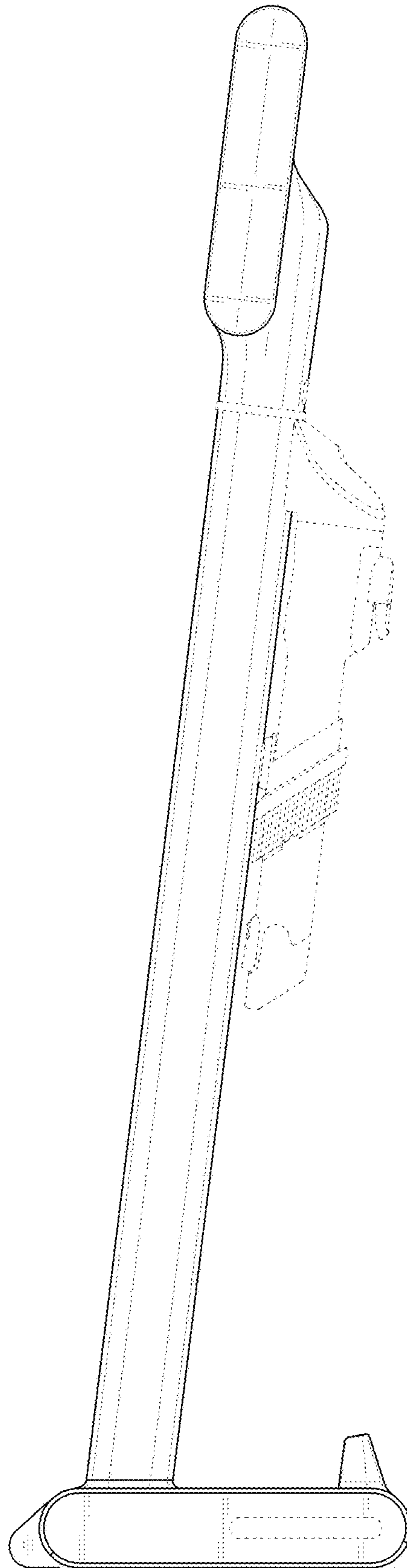


FIG. 6

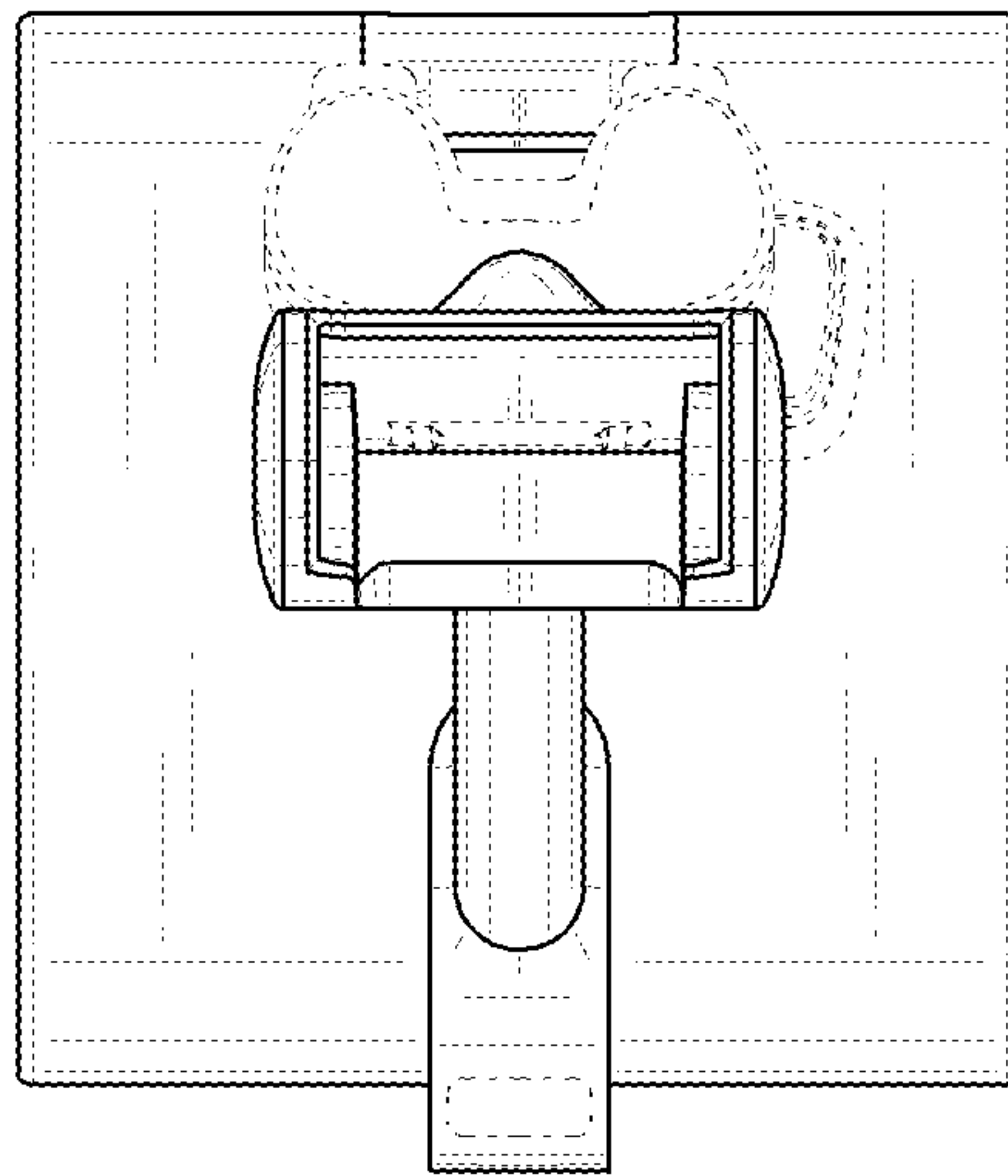


FIG. 7

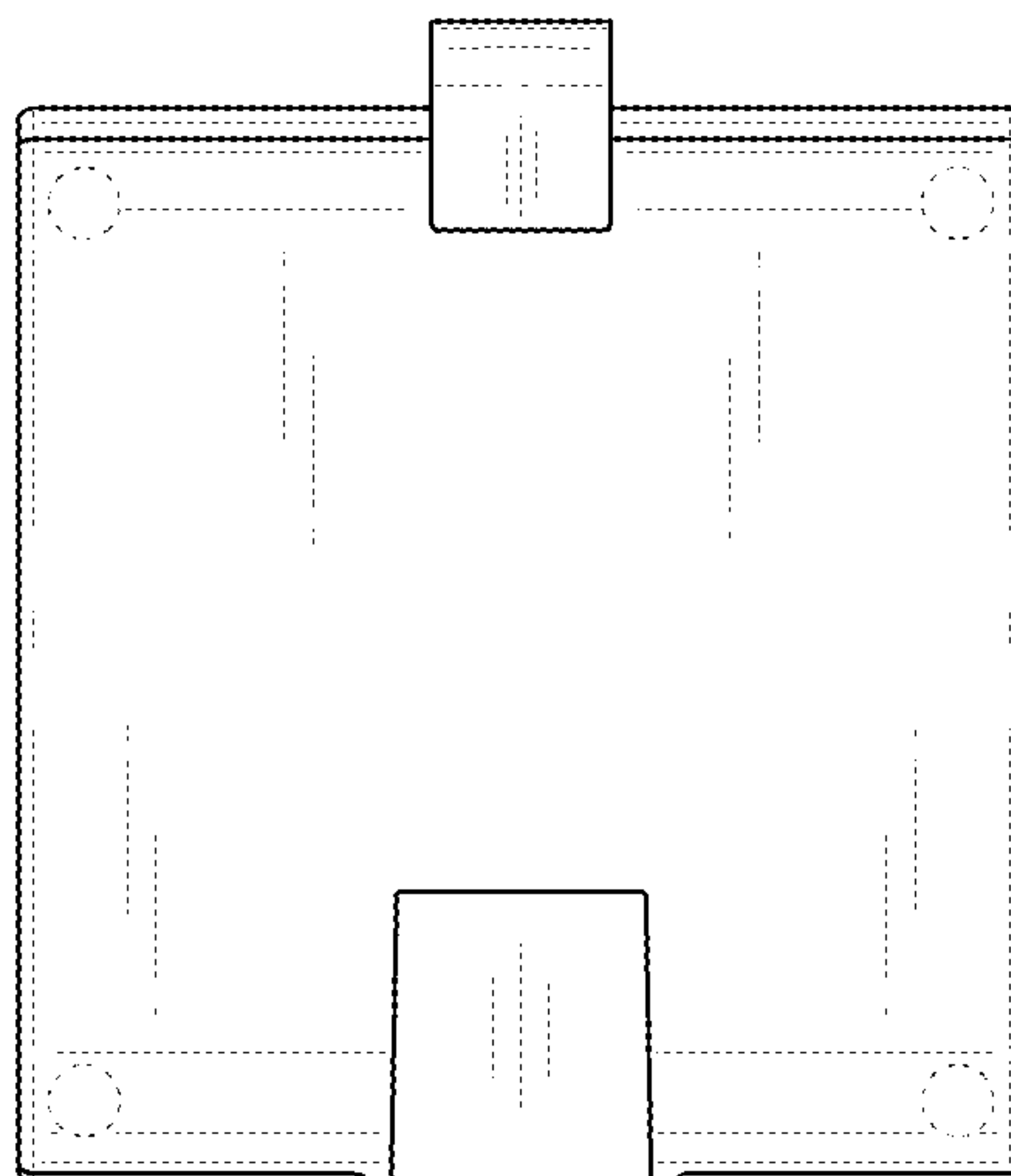


FIG. 8

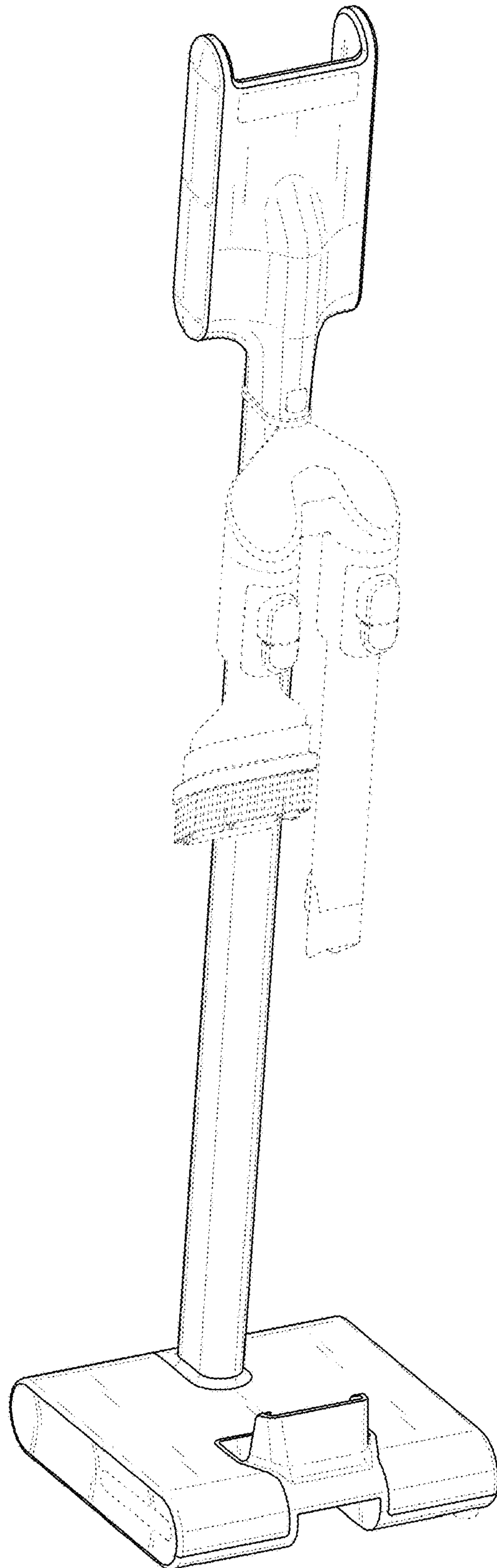


FIG. 9

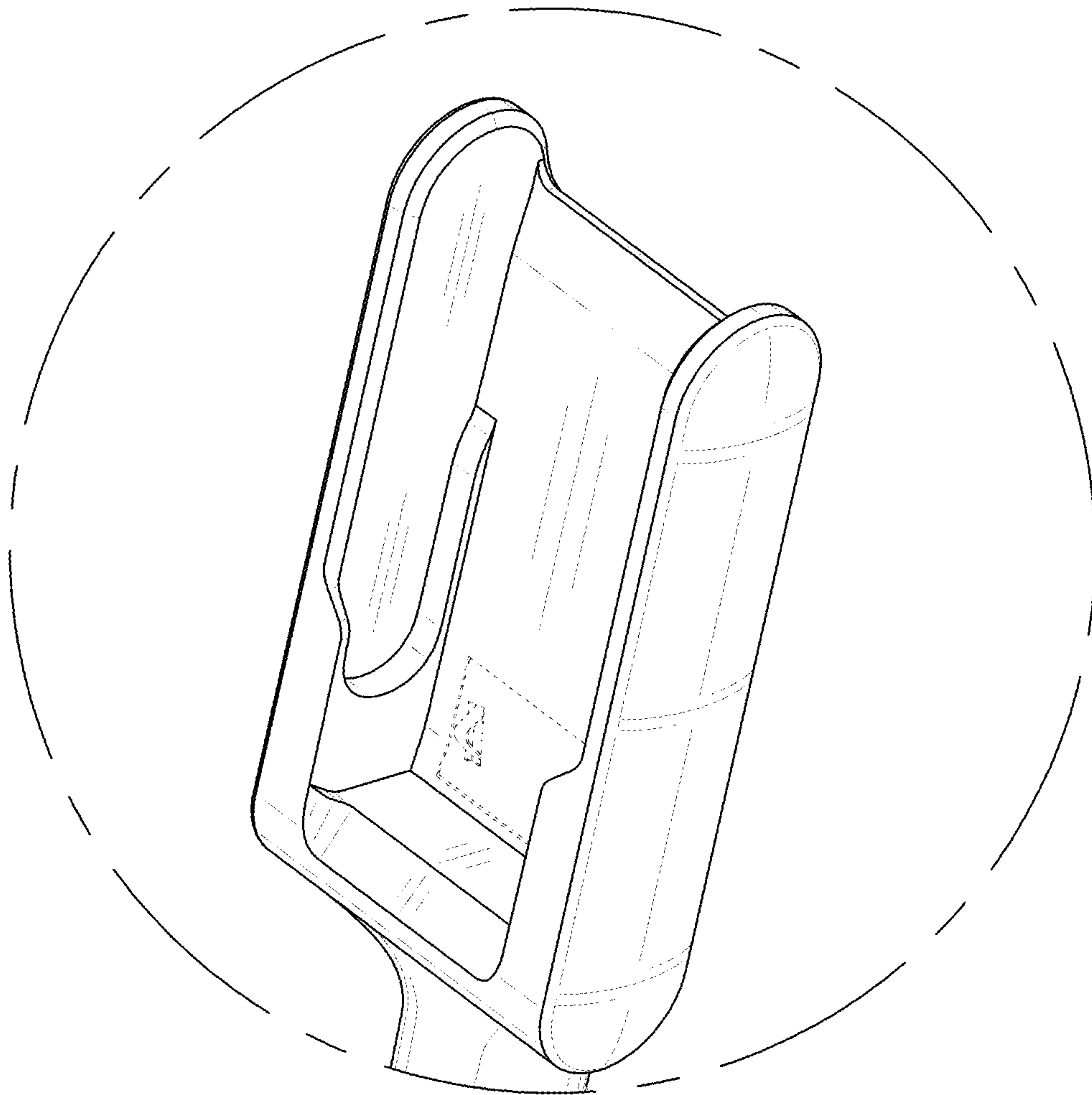


FIG. 10

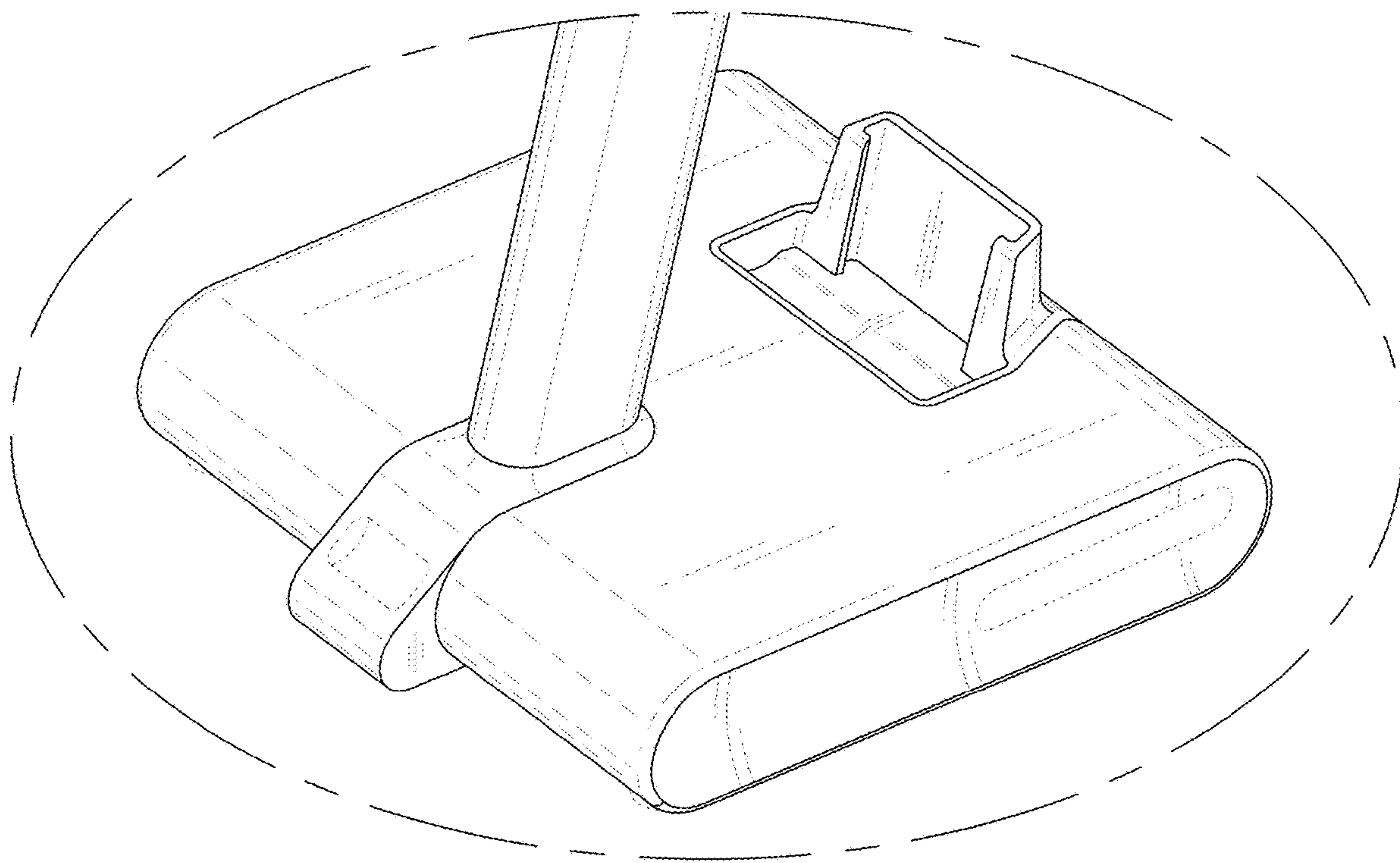


FIG. 11

