



US00D912345S

(12) **United States Design Patent**
Uim et al.

(10) **Patent No.:** **US D912,345 S**
(45) **Date of Patent:** **** Mar. 2, 2021**

(54) **CLEANER**

- (71) Applicant: **Samsung Electronics Co., Ltd.**, Suwon-si (KR)
- (72) Inventors: **Donghyuk Uim**, Seoul (KR); **Yeonyoung Nam**, Goyang-si (KR); **Hyoungsub Choi**, Goyang-si (KR)
- (73) Assignee: **SAMSUNG ELECTRONICS CO., LTD.**, Gyeonggi-Do (KR)

(**) Term: **15 Years**

(21) Appl. No.: **29/681,748**

(22) Filed: **Feb. 27, 2019**

(30) **Foreign Application Priority Data**

Aug. 30, 2018 (KR) 30-2018-0040382

(51) **LOC (13) Cl.** **15-05**

(52) **U.S. Cl.**
USPC **D32/22; D32/21**

(58) **Field of Classification Search**
USPC D32/15, 17, 18, 21, 23, 24, 31; D21/526
CPC ... A47L 5/24; A47L 5/225; A47L 5/28; A47L 5/30; A47L 5/34; A47L 5/362; A47L 5/365; A47L 9/0411; A47L 9/1409; A47L 9/1481; A47L 9/16; A47L 9/1608; A47L 9/1675;

(Continued)

(56) **References Cited**

U.S. PATENT DOCUMENTS

D305,373 S * 1/1990 Yamamoto D32/22
D382,681 S * 8/1997 Thomas D32/22

(Continued)

FOREIGN PATENT DOCUMENTS

CN 302967362 10/2014
CN 303454266 11/2015

(Continued)

OTHER PUBLICATIONS

Samsung POWERstick Jet, announced in YouTube on Nov. 1, 2019 [online], [site visited Nov. 3, 2020], Available from the internet URL: <https://www.youtube.com/watch?v=7sQPJtw9VE> (Year: 2019).*

(Continued)

Primary Examiner — Dana K Weiland

Assistant Examiner — Jennylou M Binas

(74) *Attorney, Agent, or Firm* — Cantor Colburn LLP

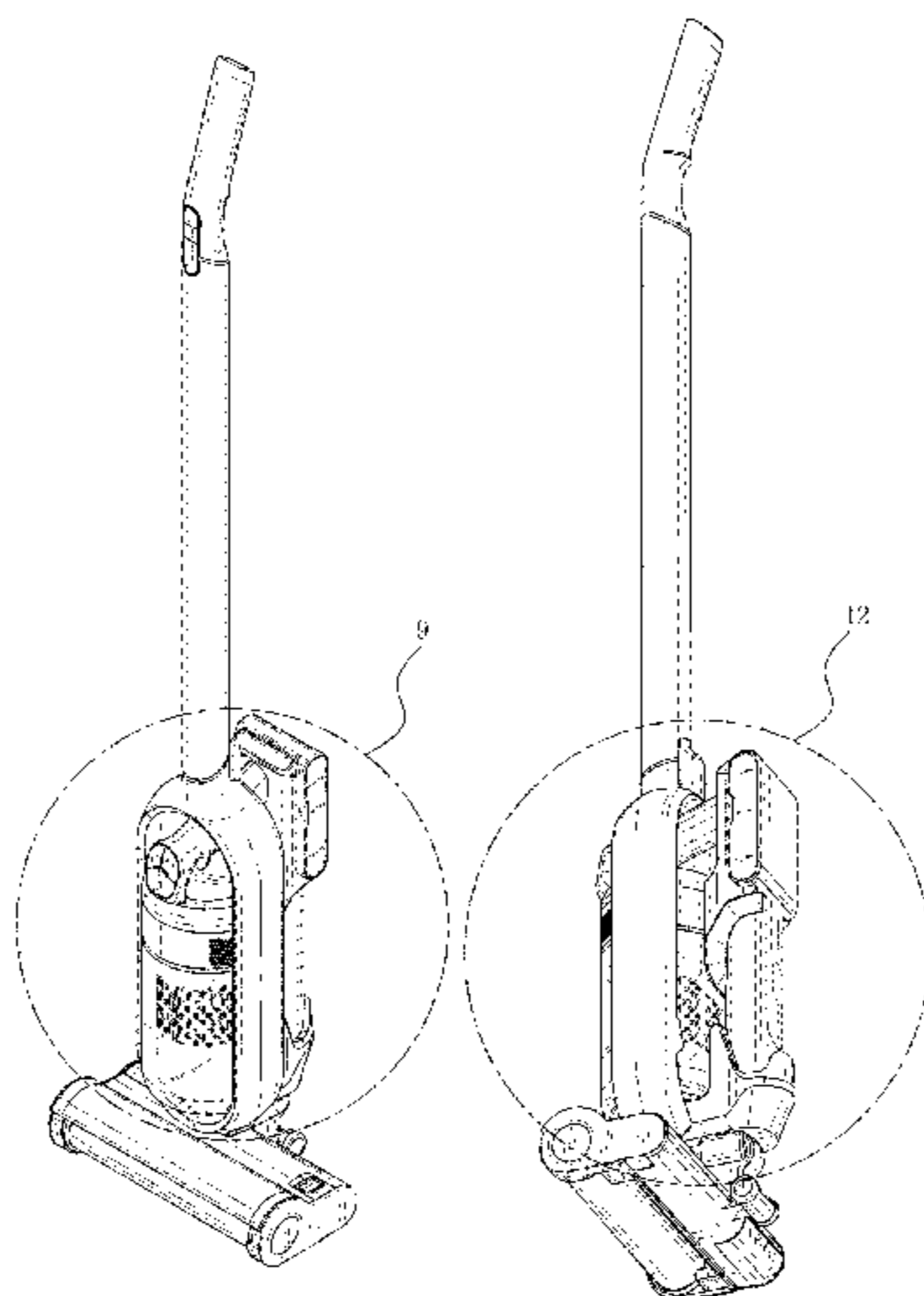
(57) **CLAIM**

The ornamental design for a cleaner, as shown and described.

DESCRIPTION

FIG. 1 is a front perspective view of a cleaner, showing our new design;
 FIG. 2 is a front view thereof;
 FIG. 3 is a rear view thereof;
 FIG. 4 is a left-side view thereof;
 FIG. 5 is a right-side view thereof;
 FIG. 6 is a top view thereof;
 FIG. 7 is a bottom view thereof;
 FIG. 8 is a bottom perspective view thereof;
 FIG. 9 is an enlarged view of the encircled portion 9 in FIG. 1;
 FIG. 10 is an enlarged view of the encircled portion 10 in FIG. 2;
 FIG. 11 is an enlarged view of the encircled portion 11 in FIG. 4; and,
 FIG. 12 is an enlarged view of the encircled portion 12 in FIG. 8.
 The even-dash broken lines illustrating portions of the cleaner form no part of the claimed design. The dot-dash broken lines encircling enlargement portions of the cleaner form no part of the claimed design.

1 Claim, 9 Drawing Sheets



(58) **Field of Classification Search**

CPC A47L 9/1683; A47L 9/1691; A47L 9/2852;
 A47L 9/32; A47L 9/322; A47L 9/325;
 A47L 11/20; A47L 11/24; A47L 11/26;
 A47L 11/28; A47L 11/30; A47L 11/302;
 A47L 11/34; A47L 11/4011; A47L
 11/4036; A47L 11/4044; A47L 11/4052;
 A47L 11/4083; A47L 13/225; A47L
 2201/00; A47L 2201/022; A14L 7/0004;
 A14L 7/0095; B23Q 11/0046; B23Q
 11/0071; B25D 16/00; B04C 1/00; B04C
 5/185; D01H 11/005; D01H 5/645; F26B
 11/12

See application file for complete search history.

(56) **References Cited**

U.S. PATENT DOCUMENTS

D445,977 S * 7/2001 Paterson D32/31
 D448,816 S * 10/2001 Bao D21/526
 D453,596 S * 2/2002 Farone D32/31
 D475,822 S * 6/2003 Kalman D32/31
 D509,632 S * 9/2005 Shin D32/22
 D515,753 S * 2/2006 Kim D32/22
 D518,928 S * 4/2006 Chiba D32/22
 D532,943 S * 11/2006 Haranaka D32/22
 7,246,407 B2 * 7/2007 Park A47L 5/34
 15/354
 7,275,281 B2 * 10/2007 Park A47L 9/0081
 15/347
 D556,401 S * 11/2007 Lee D32/22
 D562,509 S * 2/2008 Lee D32/22
 7,610,652 B2 * 11/2009 Seo A47L 7/04
 15/347
 D609,417 S * 2/2010 Hill D32/31
 D660,533 S * 5/2012 Hill D32/45

8,435,318 B2 * 5/2013 Lee A47L 5/28
 55/429
 8,453,294 B2 * 6/2013 Lee A47L 5/32
 15/331
 D700,757 S * 3/2014 Hill D32/31
 D758,010 S * 5/2016 Bates D28/13
 D758,011 S * 5/2016 Gammack D28/13
 D796,756 S * 9/2017 Niedzwecki D32/22
 D811,030 S * 2/2018 Jang D32/31
 D838,823 S * 1/2019 Yu D23/364
 D866,067 S * 11/2019 Thompson D28/13
 D873,217 S * 1/2020 Zhang D13/108
 D892,045 S * 8/2020 Zhang D13/108
 2002/0088081 A1 * 7/2002 Vystrcil A47L 5/30
 15/389
 2006/0021180 A1 * 2/2006 Fukuda A47L 5/24
 15/328
 2007/0289085 A1 * 12/2007 Yoo 15/334
 2009/0276975 A1 * 11/2009 Vines 15/347
 2020/0069131 A1 * 3/2020 Jung A47L 9/22

FOREIGN PATENT DOCUMENTS

CN 304139339 5/2017
 EM 0022644240012 6/2013
 IN 315219-001-0001 * 7/2020
 KR 300437915 1/2007
 KR 301026677 * 10/2019
 WO WOD204229-001 * 11/2019
 WO WOD204229-002 * 11/2019

OTHER PUBLICATIONS

Vincent Cordless Upright Vacuum Cleaner, available in Roomietec.com, announced Year 2020 [online],[site visited Nov. 2, 2020], Internet URL: <https://roomietec.com/products/vincent-cordless-vacuum-cleaner?variant=32187228848164> (Year: 2020).*

* cited by examiner

FIG. 1

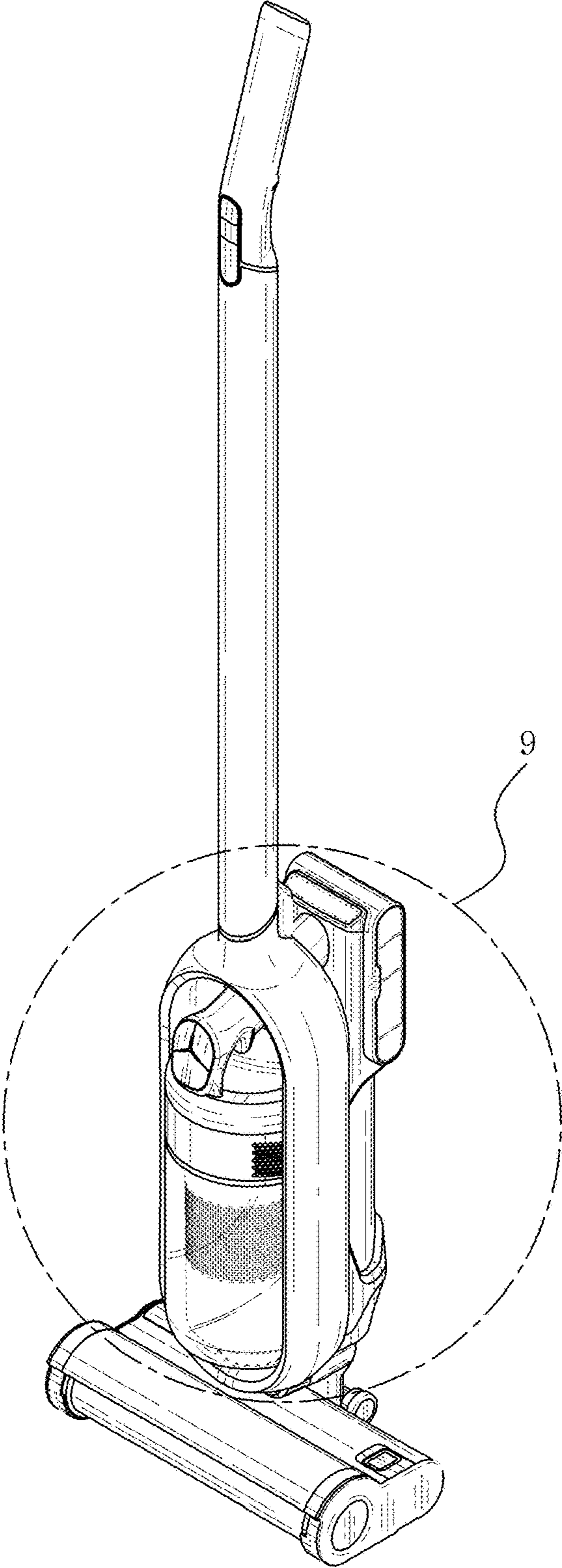


FIG. 2

FIG. 3

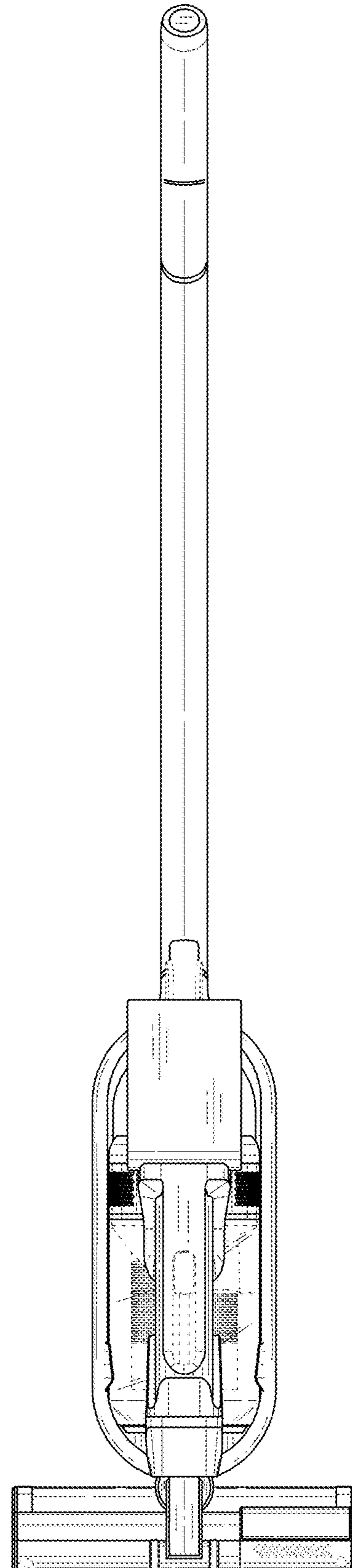
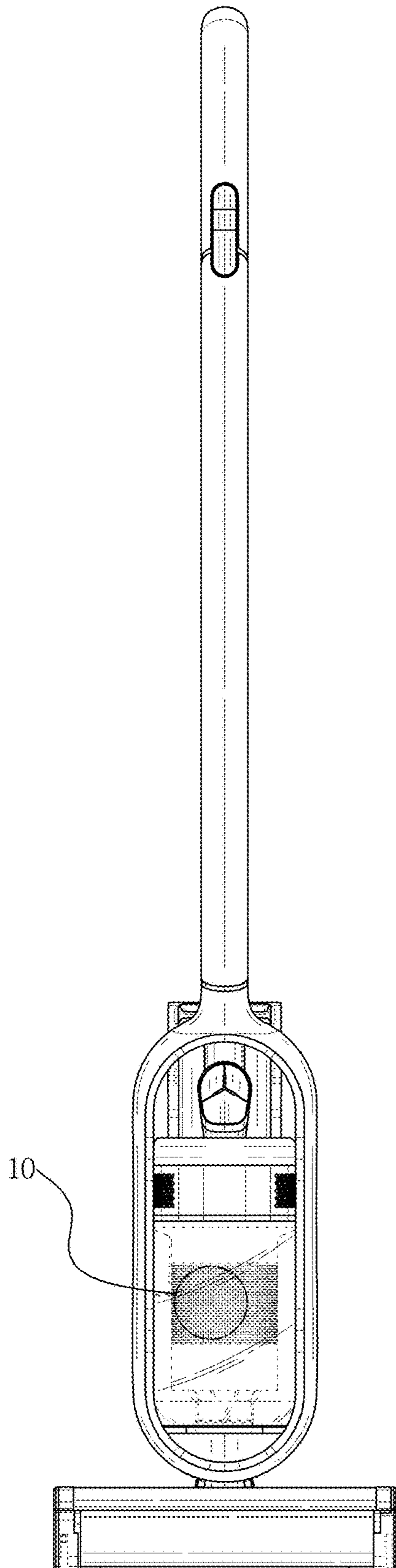


FIG. 4

FIG. 5

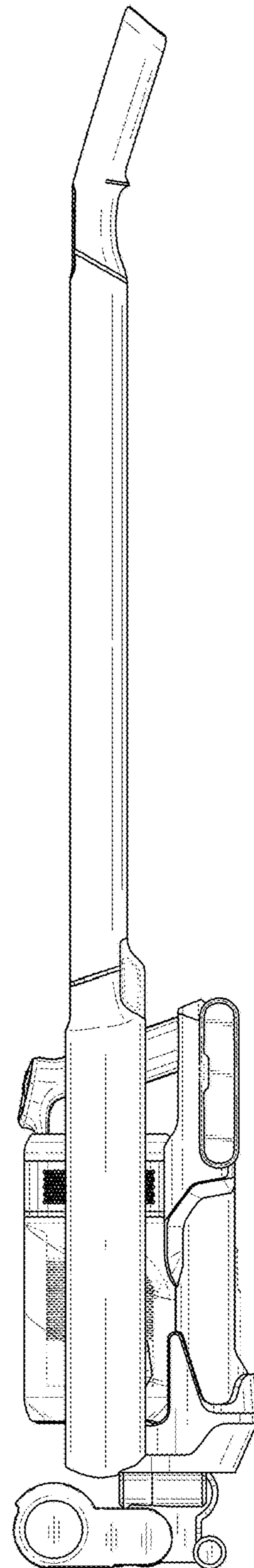
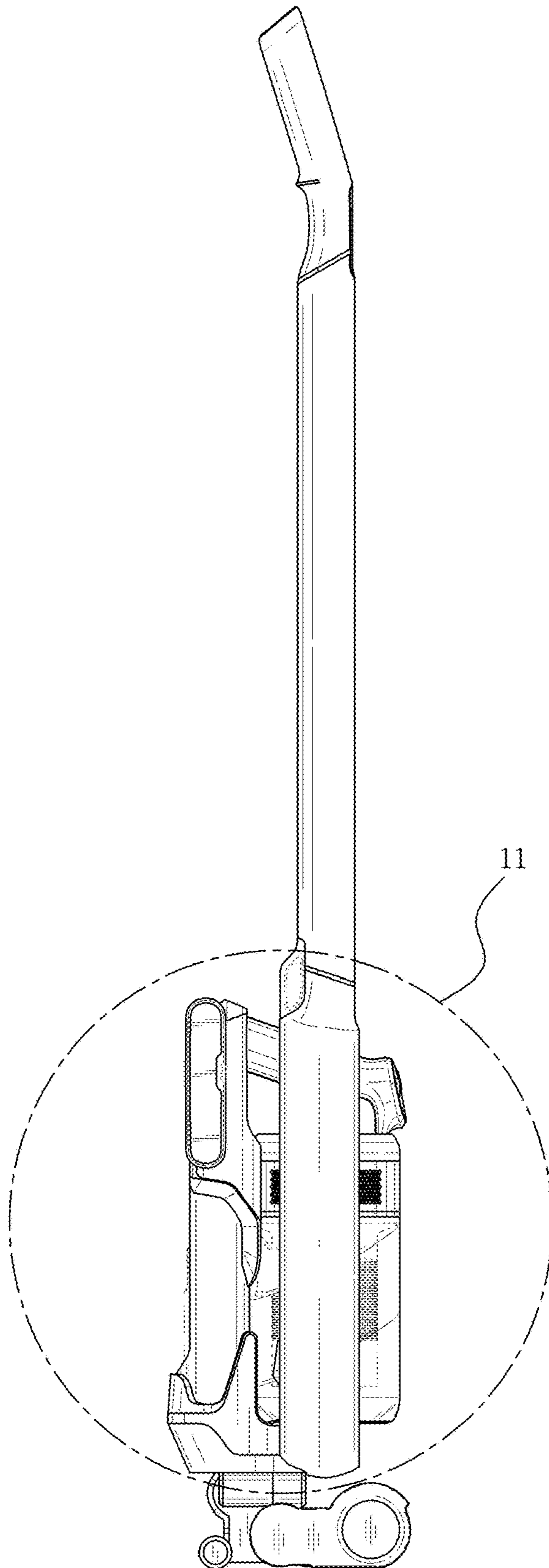


FIG. 6

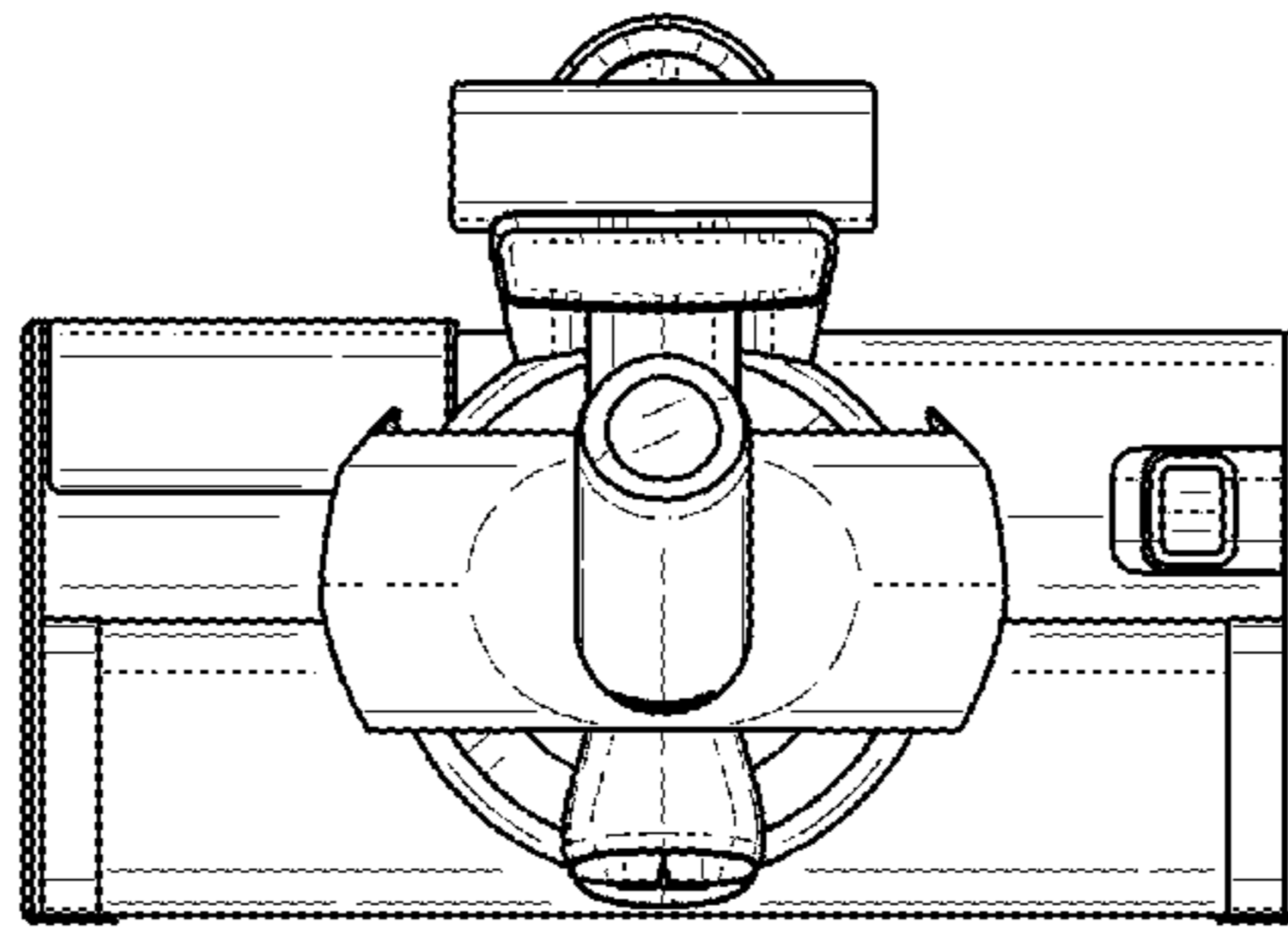


FIG. 7

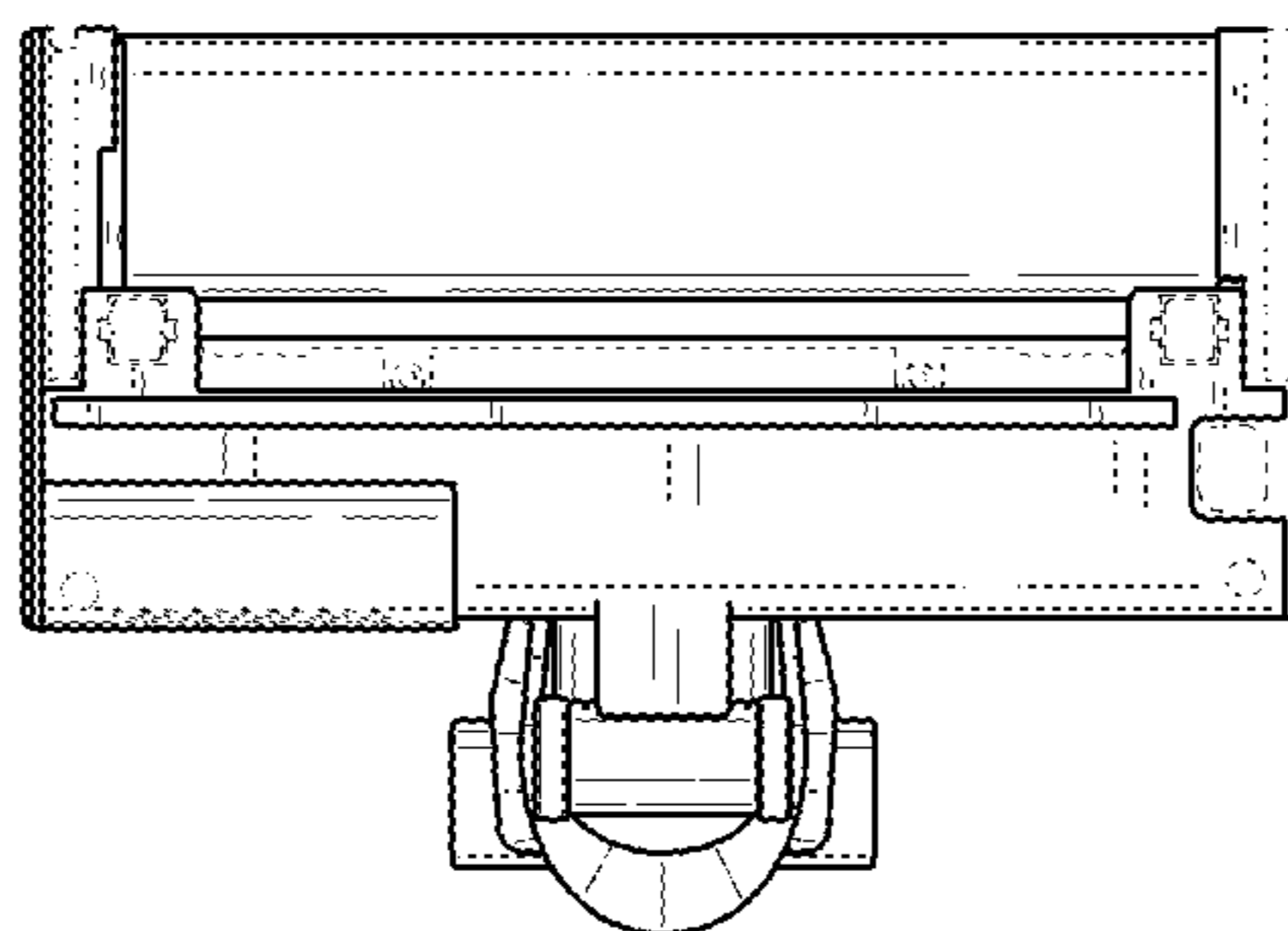


FIG. 8

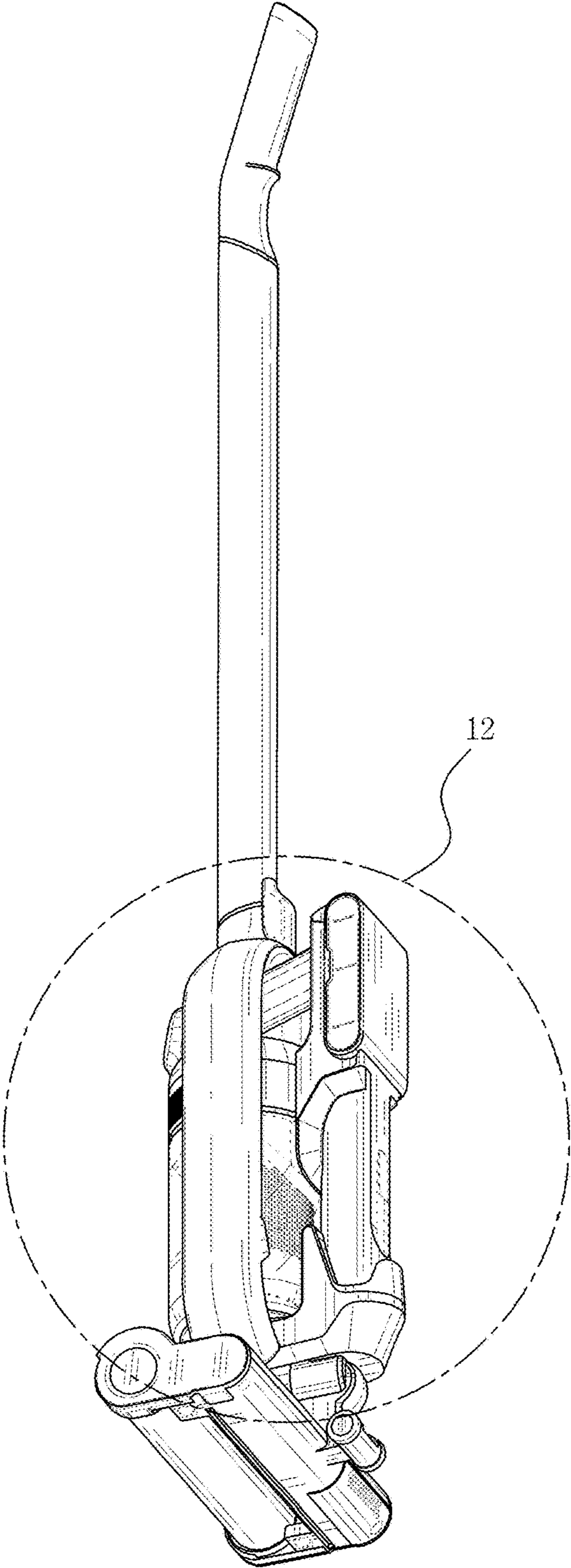


FIG. 9

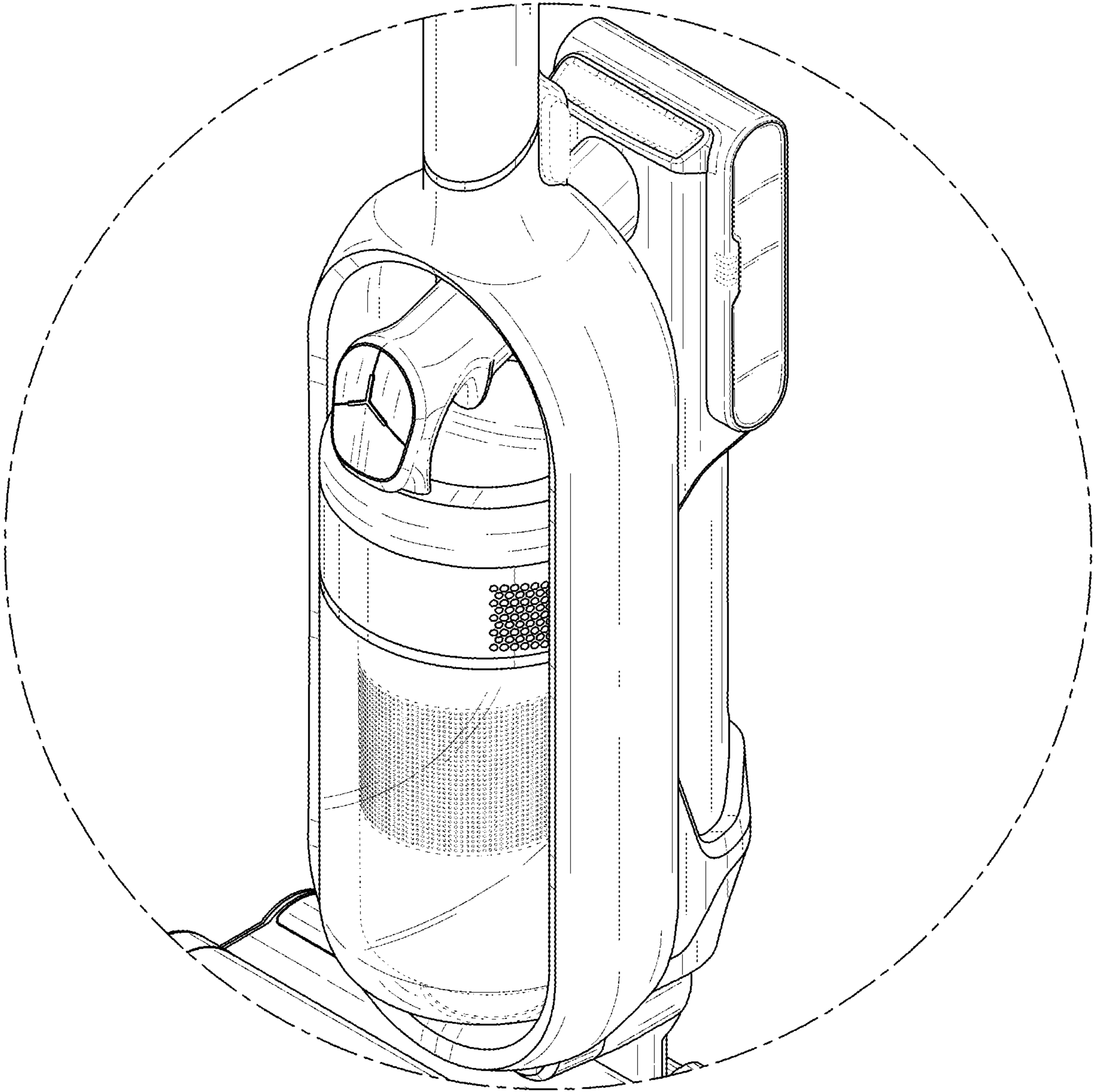


FIG. 10

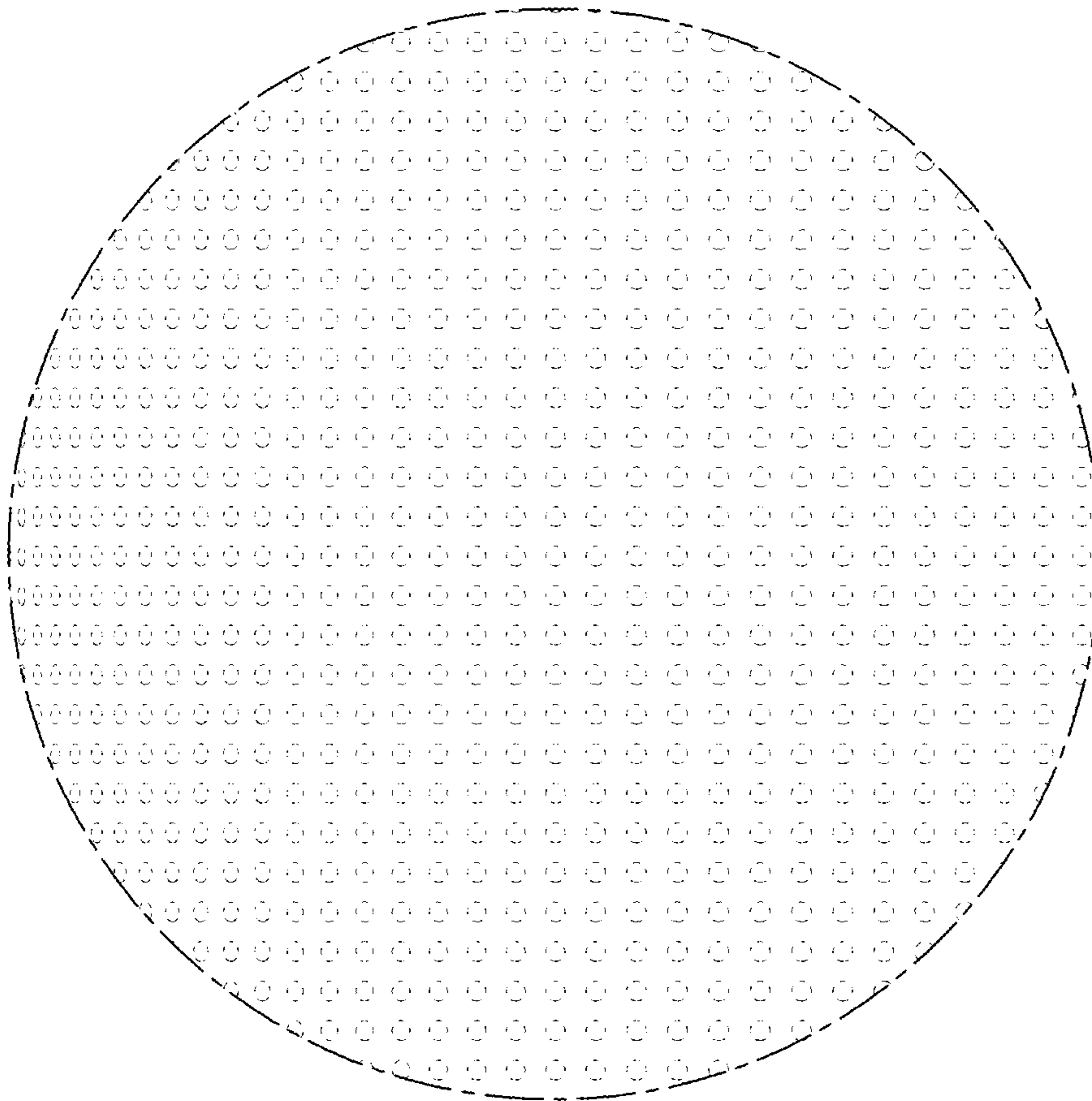


FIG. 11

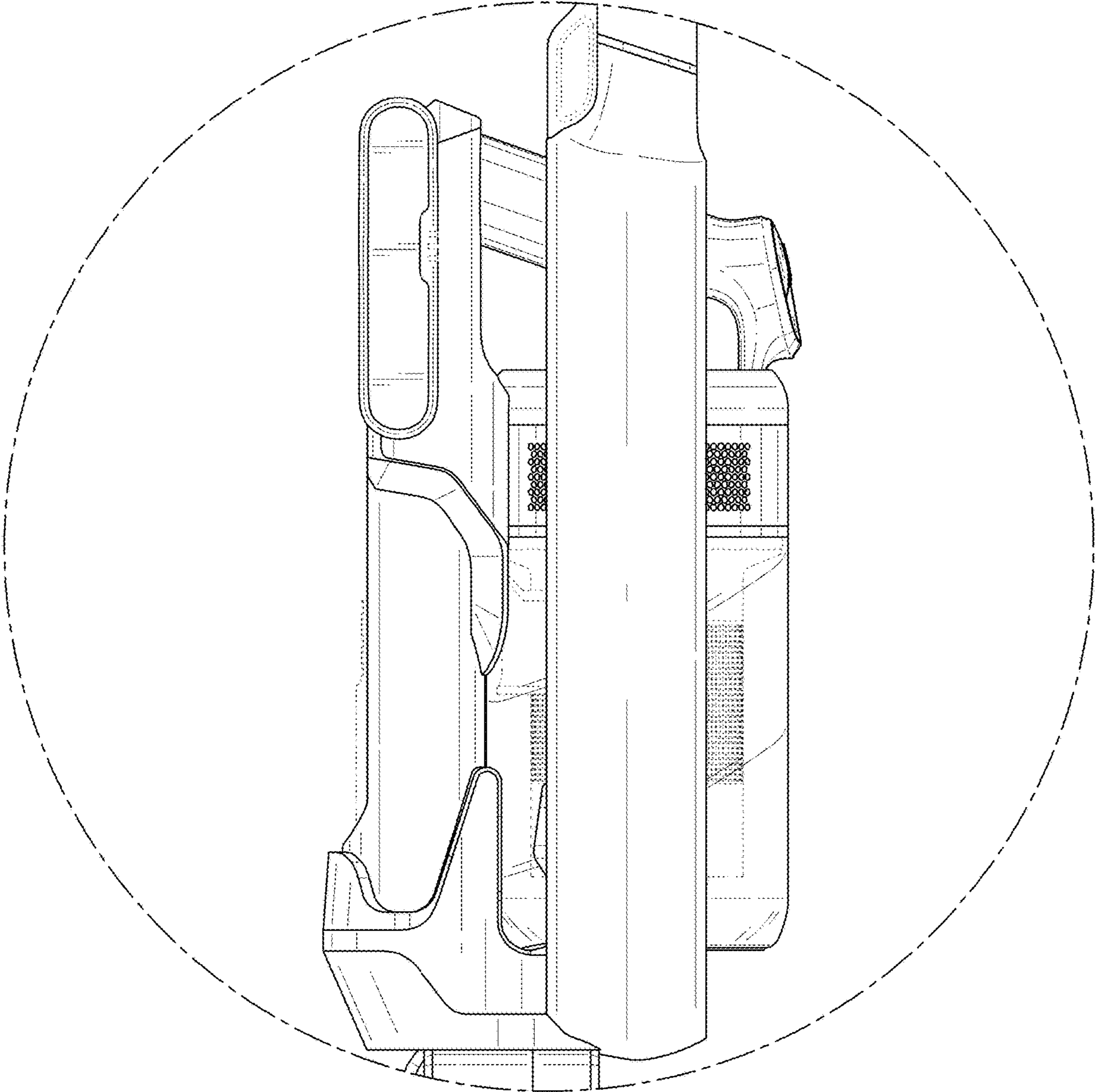


FIG. 12

