



US00D912343S

(12) **United States Design Patent**  
**Liu**

(10) **Patent No.:** **US D912,343 S**  
(45) **Date of Patent:** **\*\* Mar. 2, 2021**

(54) **VACUUM**

(71) Applicant: **BLACK & DECKER INC.**, New Britain, CT (US)

(72) Inventor: **Chao Lein Liu**, Taichung (TW)

(73) Assignee: **BLACK & DECKER INC.**, New Britain, CT (US)

(\*\*) Term: **15 Years**

(21) Appl. No.: **29/682,304**

(22) Filed: **Mar. 4, 2019**

(51) **LOC (13) Cl.** ..... **15-05**

(52) **U.S. Cl.**  
USPC ..... **D32/21**

(58) **Field of Classification Search**

USPC .... D32/17, 18, 21, 22, 23, 24, 31; D21/526; D3/276, 294

CPC ... A47L 5/24; A47L 5/225; A47L 5/28; A47L 5/30; A47L 5/34; A47L 5/362; A47L 5/365; A47L 9/0411; A47L 9/1409; A47L 9/1481; A47L 9/16; A47L 9/1608; A47L 9/1675; A47L 9/1683; A47L 9/1691; A47L 9/2852; A47L 9/32; A47L 9/322; A47L 9/325; A47L 11/20; A47L 11/24; A47L 11/26; A47L 11/28; A47L 11/30; A47L 11/302; A47L 11/34; A47L 11/4011; A47L 11/4036; A47L 11/4044; A47L 11/4052; A47L 11/4083; A47L 13/225; A47L 2201/00; A47L 2201/022; A14L 7/0004; A14L 7/0095; B23Q 11/0046; B23Q 11/0071; B25D 16/00; B04C 1/00; B04C 5/185; D01H 11/005; D01H 5/645; F26B 11/12

See application file for complete search history.

(56) **References Cited**

**U.S. PATENT DOCUMENTS**

- 4,955,105 A \* 9/1990 Sunagawa ..... A47L 9/0036 15/323
  - D325,453 S \* 4/1992 Tsuge ..... D32/15
  - D496,764 S \* 9/2004 Lopano ..... D32/21
- (Continued)

**FOREIGN PATENT DOCUMENTS**

- CA 74752 \* 9/1994
- CA 140633 \* 12/2011

(Continued)

**OTHER PUBLICATIONS**

WORKSHOP-WS0300VA-Portable Wet-Dry Vacuum, available in overstock.com, customer review oldest date Jul. 22, 2016 [online], [site visited Nov. 16, 2020], Internet URL: <https://www.overstock.com/Home-Garden/WORKSHOP-WS0300VA-3.5-Peak-HP-3-gal.-Portable-Wet-Dry-Vac-Black/10758970/product.html> (Year: 2016).\*

(Continued)

*Primary Examiner* — Dana K Weiland

*Assistant Examiner* — Jennylou M Binas

(74) *Attorney, Agent, or Firm* — Adan Ayala

(57) **CLAIM**

The ornamental design for a vacuum, as shown and described.

**DESCRIPTION**

FIG. 1 is a front perspective view of a vacuum according to the invention.

FIG. 2 is a front view of the vacuum of FIG. 1.

FIG. 3 is a rear view of the vacuum of FIG. 1.

FIG. 4 is a left side view of the vacuum of FIG. 1.

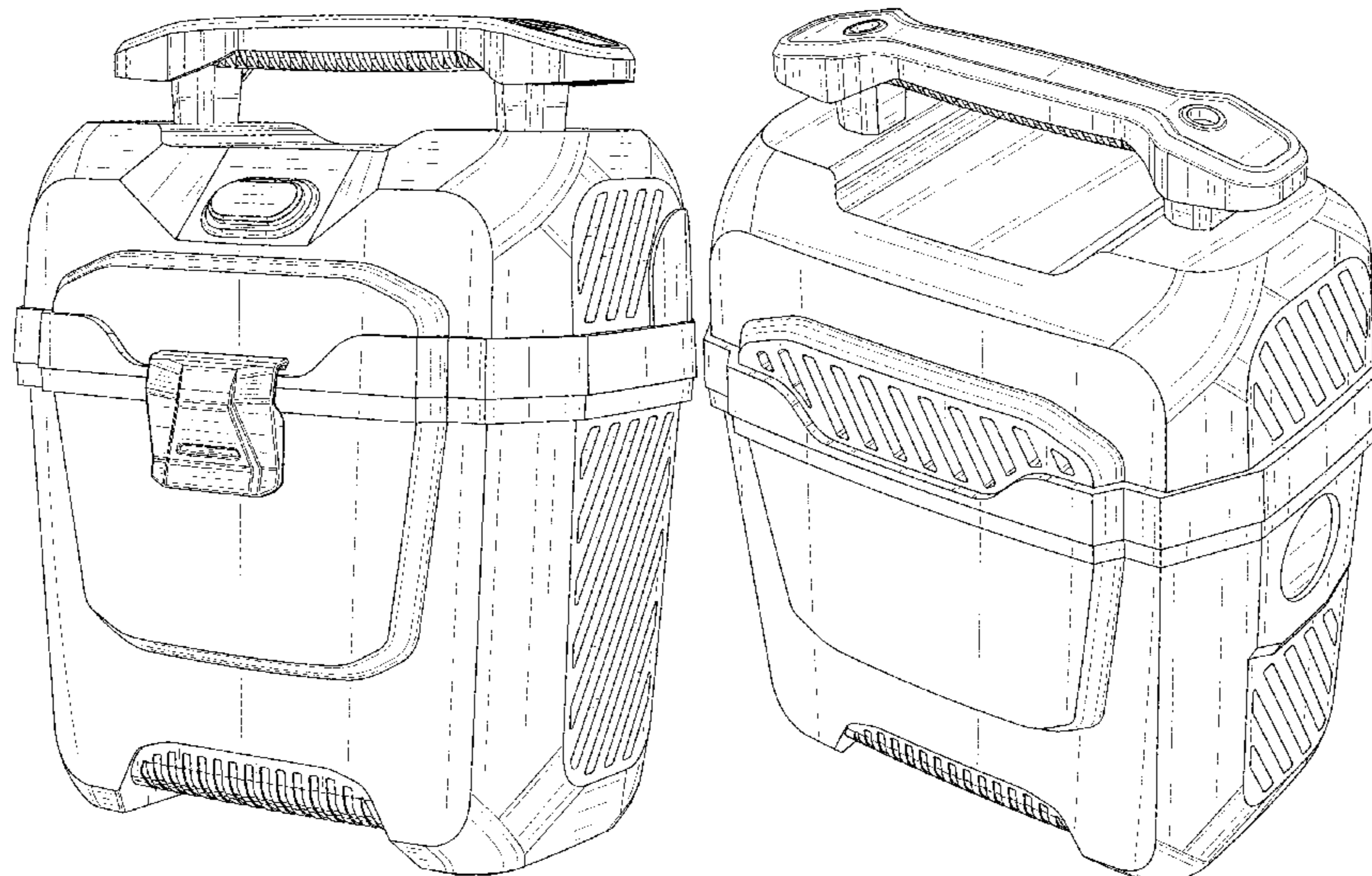
FIG. 5 is a right side view of the vacuum of FIG. 1.

FIG. 6 is a top plan view of the vacuum of FIG. 1.

FIG. 7 is a bottom plan view of the vacuum of FIG. 1; and,

FIG. 8 is a rear perspective view of the vacuum of FIG. 1.

**1 Claim, 8 Drawing Sheets**



(56)

**References Cited**

## U.S. PATENT DOCUMENTS

D549,904 S \* 8/2007 Eccardt ..... D32/18  
D558,410 S \* 12/2007 Hill ..... D32/21  
D647,261 S \* 10/2011 Schultz ..... D32/21  
9,282,861 B2 \* 3/2016 Schultz ..... A47L 7/0023  
9,700,187 B2 \* 7/2017 Schultz ..... A47L 9/30  
D842,560 S \* 3/2019 Tschopp ..... D32/21  
D880,087 S \* 3/2020 Knight ..... D32/24  
2014/0215750 A1 \* 8/2014 Schultz ..... A47L 9/26  
15/323  
2018/0220861 A1 \* 8/2018 Zhang ..... A47L 7/0023  
2019/0380549 A1 \* 12/2019 Liu ..... B01D 46/2411

## FOREIGN PATENT DOCUMENTS

CN 3389319 \* 9/2004  
CN 304826168 \* 9/2018  
GB 3015527 \* 2/2004

## OTHER PUBLICATIONS

RIDGID Wet Dry Vacuum, available in Amazon.com, customer review oldest date Oct. 21, 2015 [online], [site visited Oct. 20, 2020], Available from the internet URL: [https://www.amazon.com/Vacuums-VAC3000-Portable-3-Gallon-Horsepower/dp/B017EOLGCK/ref=sr\\_1\\_4?dchild=1&keywords=rigid+vacuum&qid=1605628823&sr=8-4](https://www.amazon.com/Vacuums-VAC3000-Portable-3-Gallon-Horsepower/dp/B017EOLGCK/ref=sr_1_4?dchild=1&keywords=rigid+vacuum&qid=1605628823&sr=8-4) (Year: 2015).\*

Shop-Vac Tool Box Vacuum Cleaner, available in msdirect.com, announced Year 2020 [online], [site visited Nov. 16, 2020], Internet URL: <https://www.msdirect.com/product/details/42964478> (Year: 2020).\*

\* cited by examiner



FIG. 1

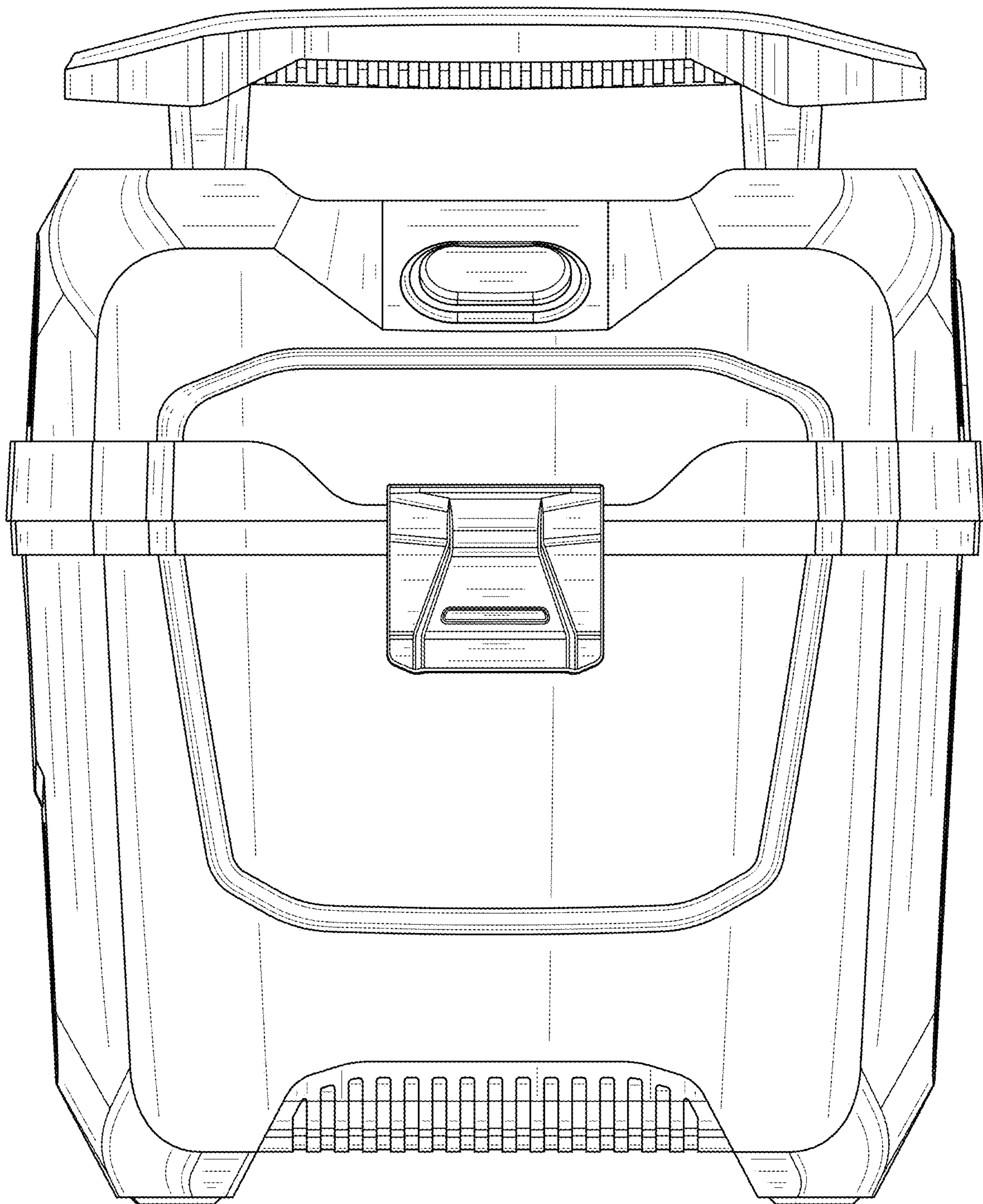


FIG. 2

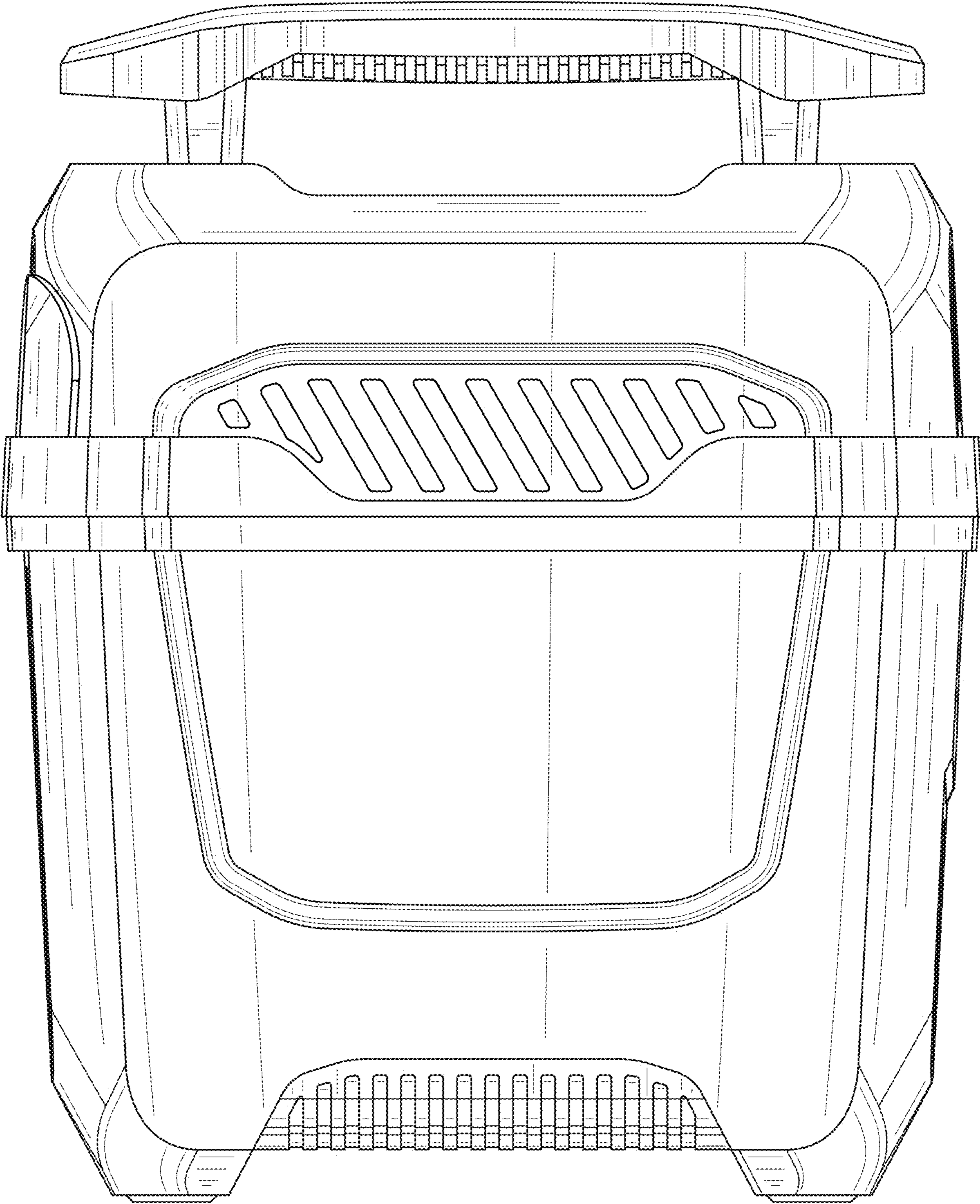


FIG. 3

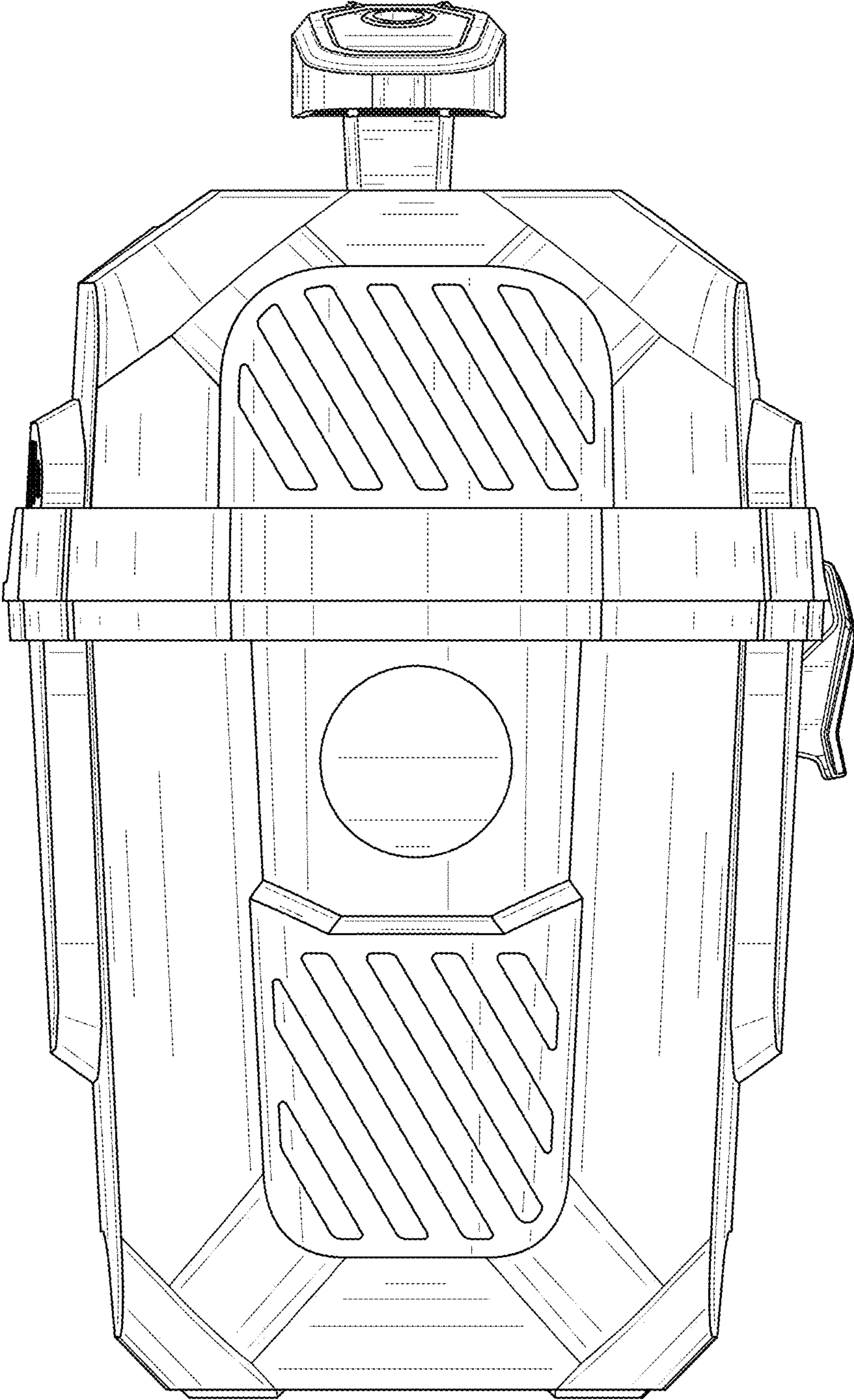


FIG. 4

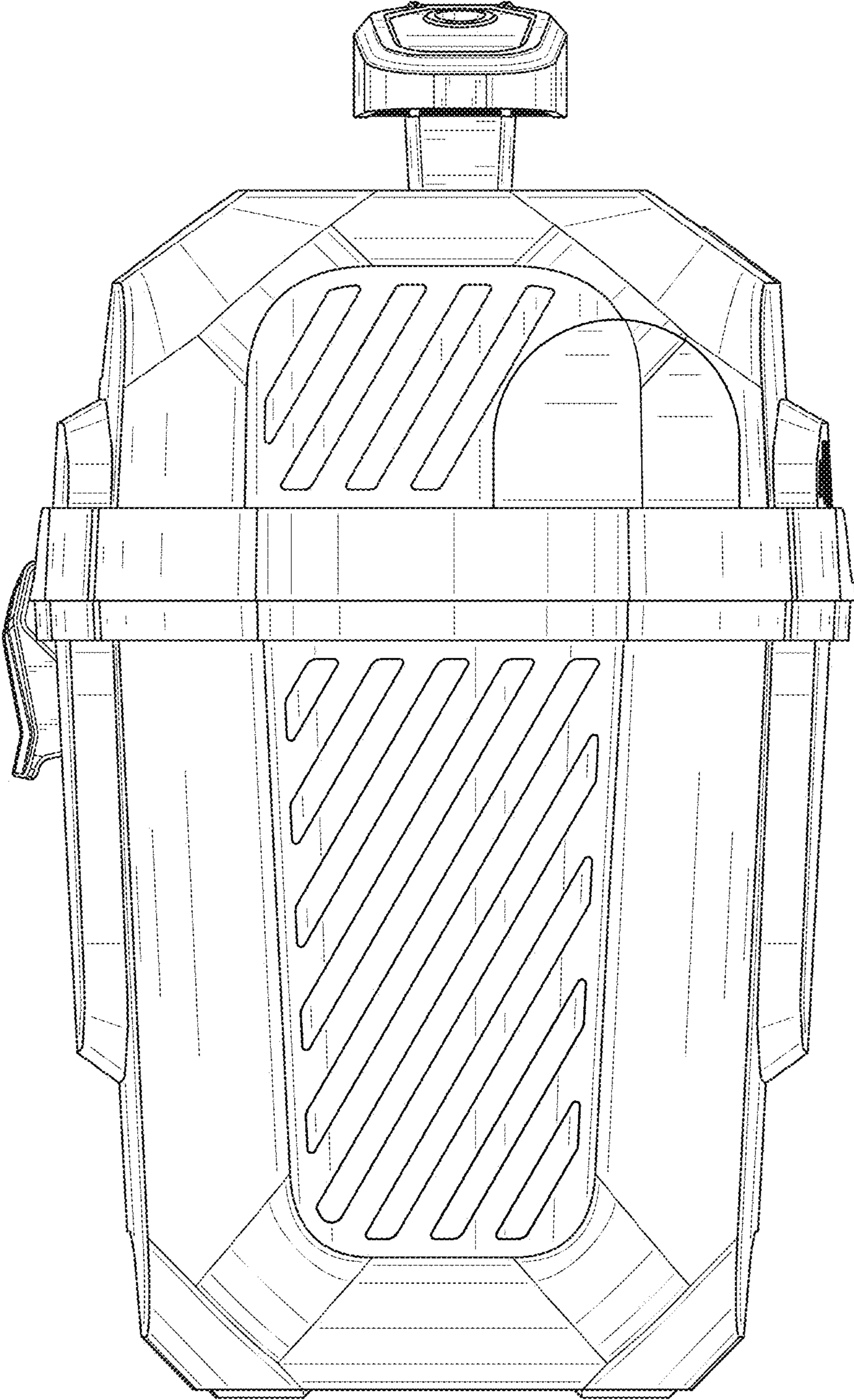


FIG. 5

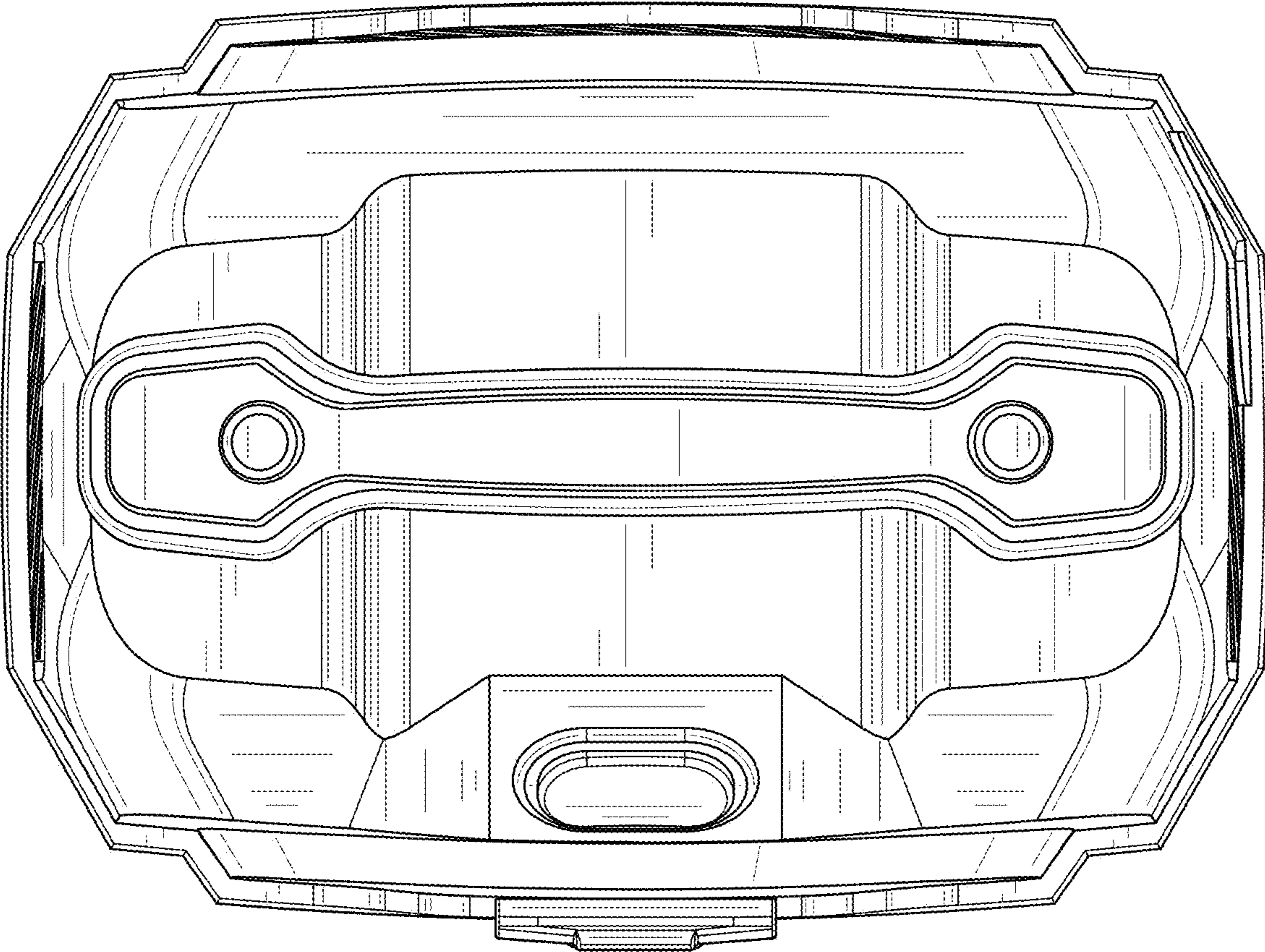


FIG. 6



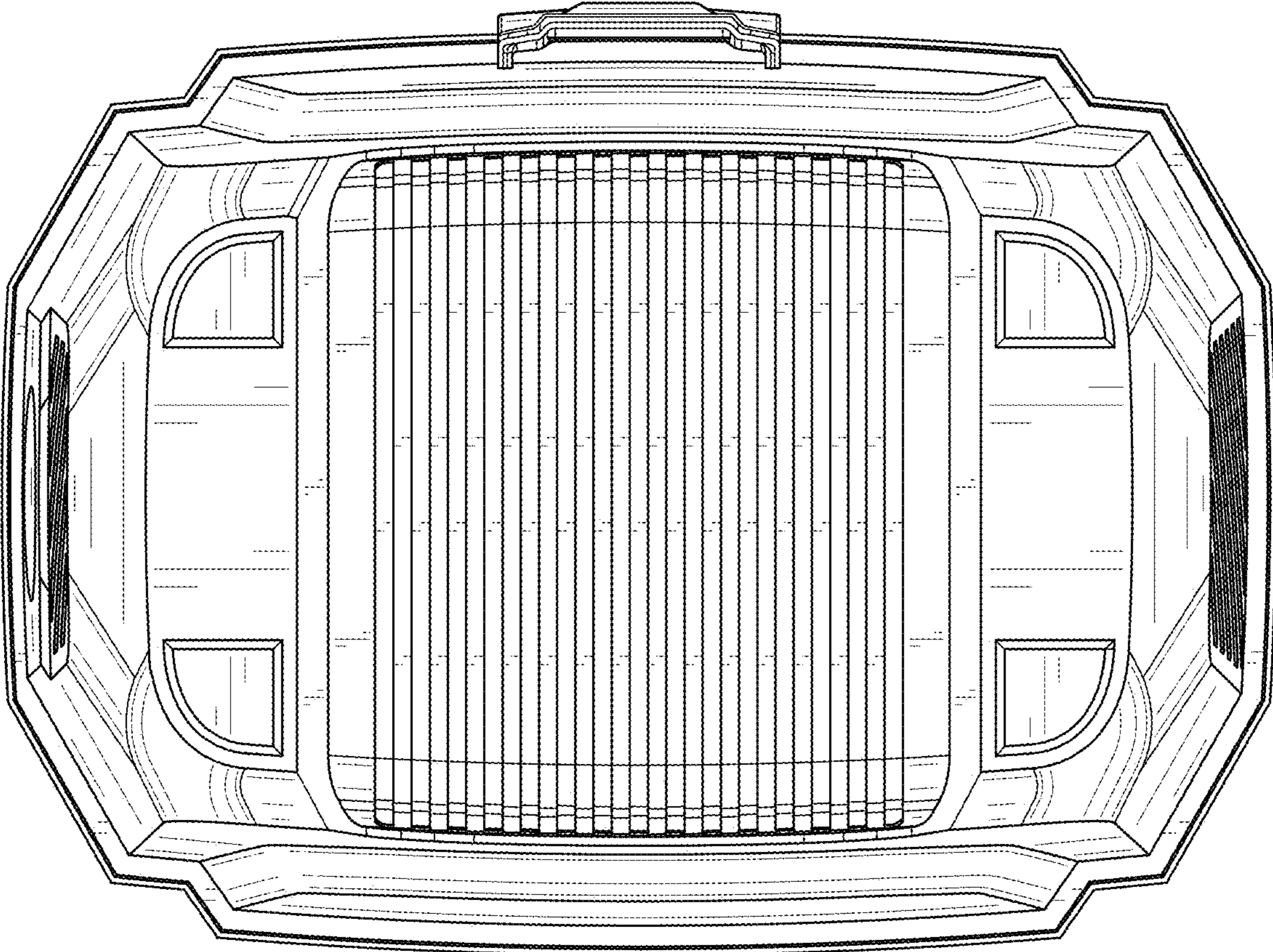


FIG. 7

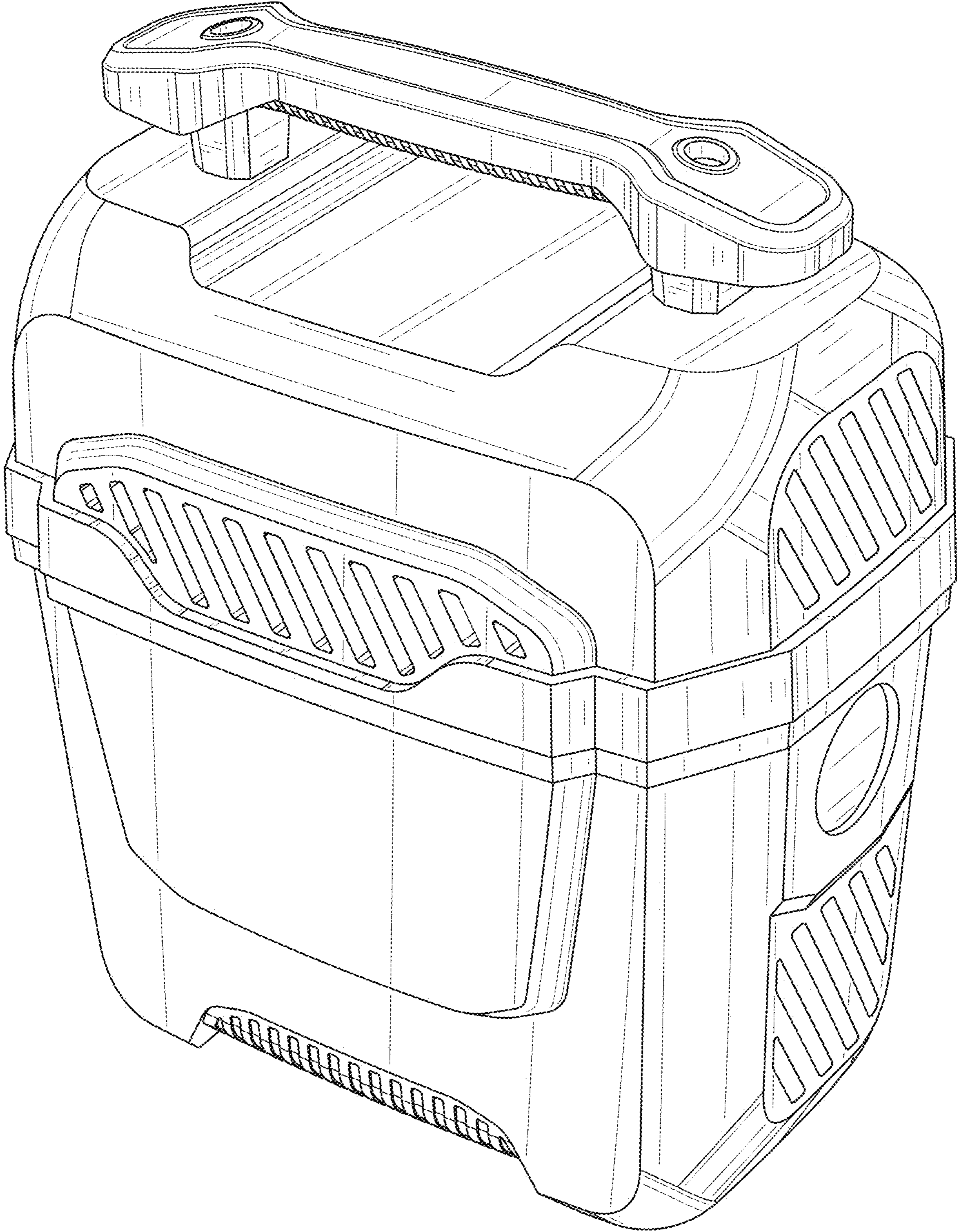


FIG. 8