



US00D912342S

(12) **United States Design Patent** (10) **Patent No.:** **US D912,342 S**
Liu (45) **Date of Patent:** **** Mar. 2, 2021**

(54) **VACUUM**

(71) Applicant: **BLACK & DECKER INC.**, New Britain, CT (US)

(72) Inventor: **Chao Lein Liu**, Taichung (TW)

(73) Assignee: **BLACK & DECKER INC.**, New Britain, CT (US)

(**) Term: **15 Years**

(21) Appl. No.: **29/682,302**

(22) Filed: **Mar. 4, 2019**

(51) **LOC (13) Cl.** **15-05**

(52) **U.S. Cl.**
USPC **D32/21**

(58) **Field of Classification Search**
USPC D32/17, 18, 21, 22, 23, 24, 31; D21/526; D3/276, 294

CPC ... A47L 5/24; A47L 5/225; A47L 5/28; A47L 5/30; A47L 5/34; A47L 5/362; A47L 5/365; A47L 9/0411; A47L 9/1409; A47L 9/1481; A47L 9/16; A47L 9/1608; A47L 9/1675; A47L 9/1683; A47L 9/1691; A47L 9/2852; A47L 9/32; A47L 9/322; A47L 9/325; A47L 11/20; A47L 11/24; A47L 11/26; A47L 11/28; A47L 11/30; A47L 11/302; A47L 11/34; A47L 11/4011; A47L 11/4036; A47L 11/4044; A47L 11/4052; A47L 11/4083; A47L 13/225; A47L 2201/00; A47L 2201/022; A14L 7/0004; A14L 7/0095; B23Q 11/0046; B23Q 11/0071; B25D 16/00; B04C 1/00; B04C 5/185; D01H 11/005; D01H 5/645; F26B 11/12

See application file for complete search history.

(56) **References Cited**

U.S. PATENT DOCUMENTS

D129,993 S *	10/1941	Forsberge	D32/24
D206,574 S *	1/1967	Cook	D32/24
D279,321 S *	6/1985	Schoettler	D32/24
D288,972 S *	3/1987	Morioka	D32/24

(Continued)

FOREIGN PATENT DOCUMENTS

CA	92356	*	5/2001
CA	131158	*	1/2010

(Continued)

OTHER PUBLICATIONS

Stanley Wet-and-Dry-Vacuum-Cleaner, available in m.made-in-china.com, announced Year 2020 [online], [site visited Nov. 16, 2020], Internet URL: <https://m.made-in-china.com/product/Wet-and-Dry-Vacuum-Cleaner-SL18905p-4-4gallon-4HP-Portable-Poly-736551792.html> (Year: 2020).*

(Continued)

Primary Examiner — Dana K Weiland
Assistant Examiner — Jennylou M Binas
(74) *Attorney, Agent, or Firm* — Adan Ayala

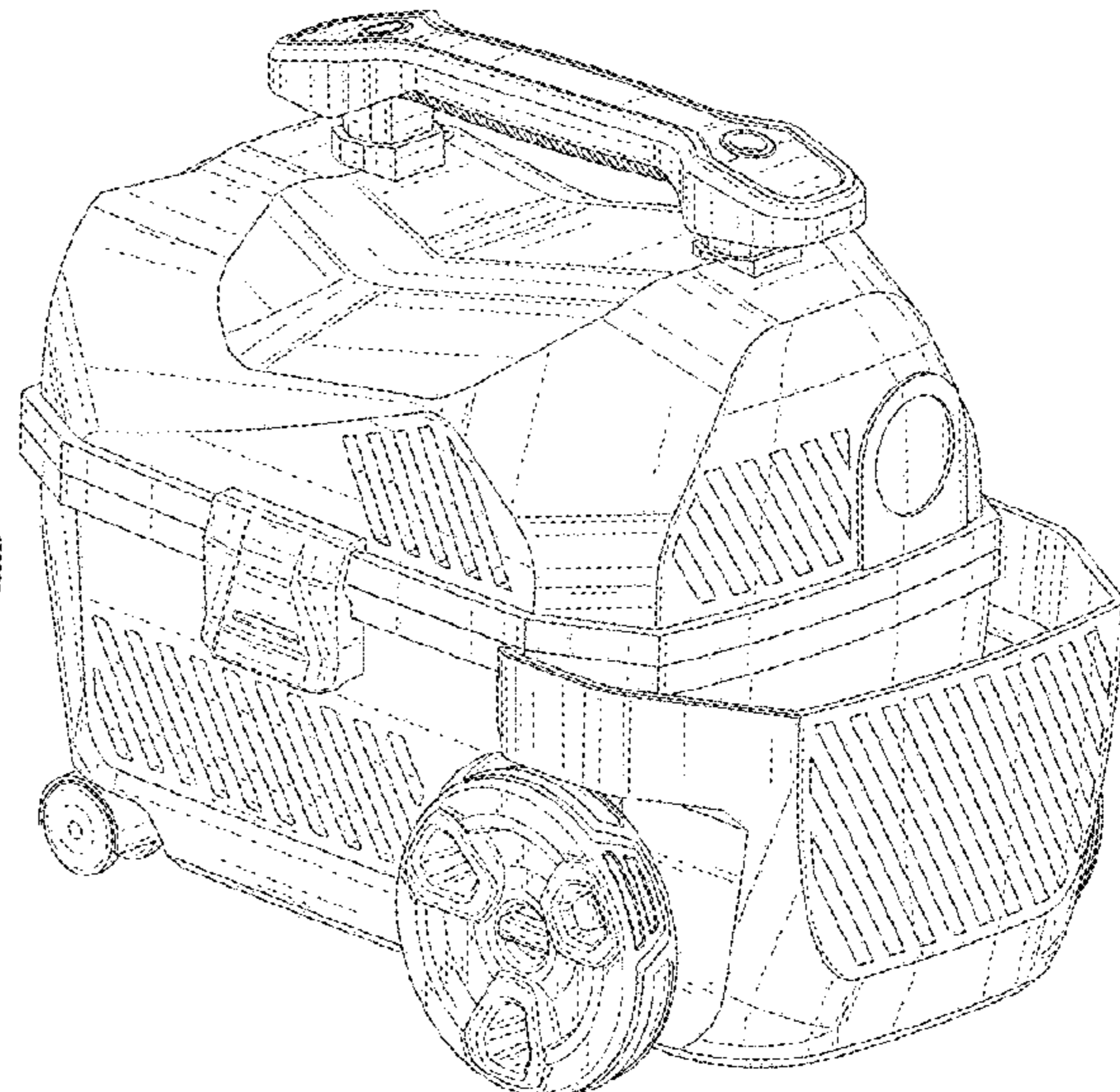
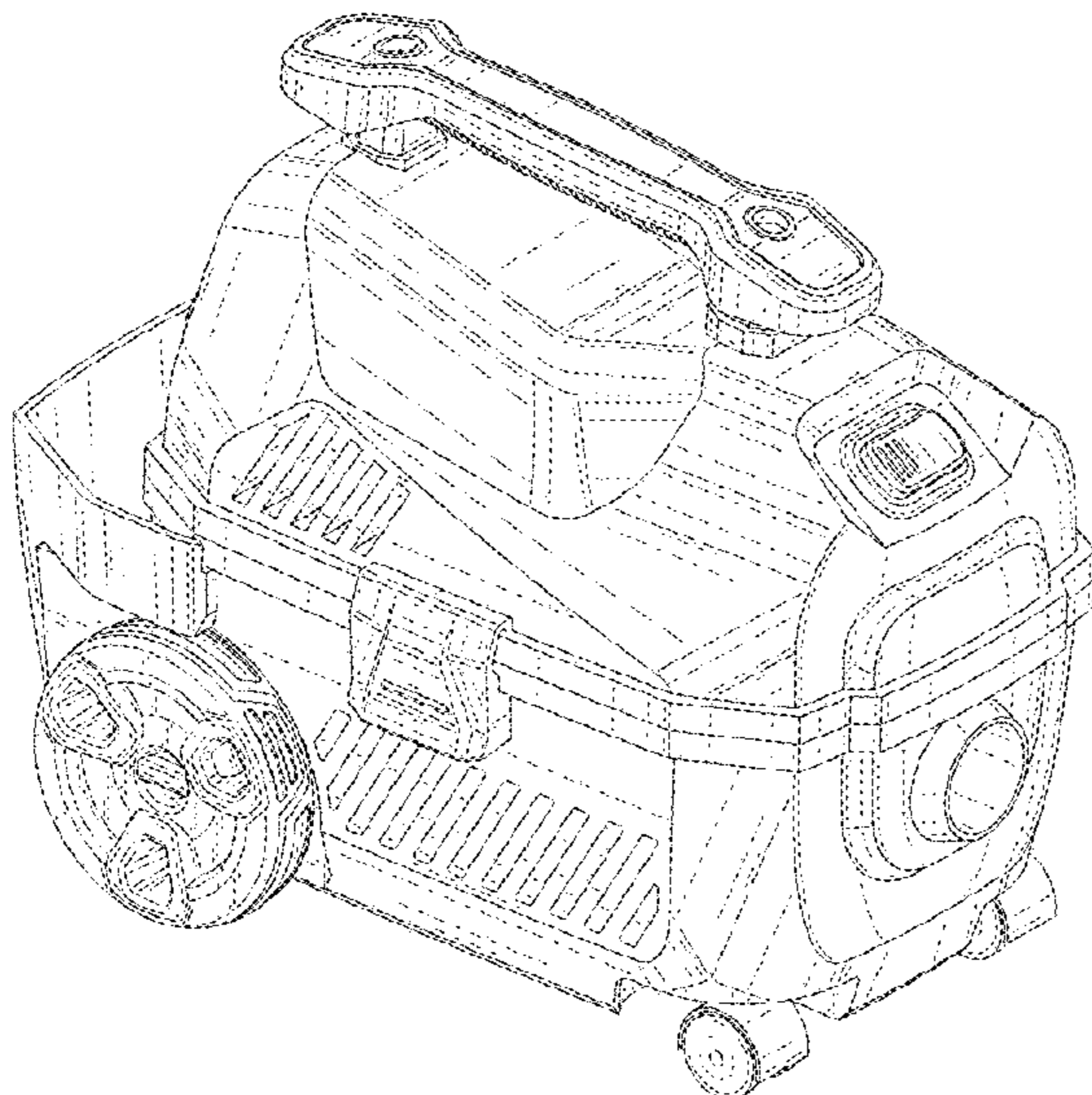
(57) **CLAIM**

The ornamental design for a vacuum, as shown and described.

DESCRIPTION

FIG. 1 is a front perspective view of a vacuum according to the invention.
FIG. 2 is a front view of the vacuum of FIG. 1.
FIG. 3 is a rear view of the vacuum of FIG. 1.
FIG. 4 is a right side view of the vacuum of FIG. 1.
FIG. 5 is a left side view of the vacuum of FIG. 1.
FIG. 6 is a top plan view of the vacuum of FIG. 1.
FIG. 7 is a bottom plan view of the vacuum of FIG. 1; and,
FIG. 8 is a rear perspective view of the vacuum of FIG. 1.

1 Claim, 8 Drawing Sheets



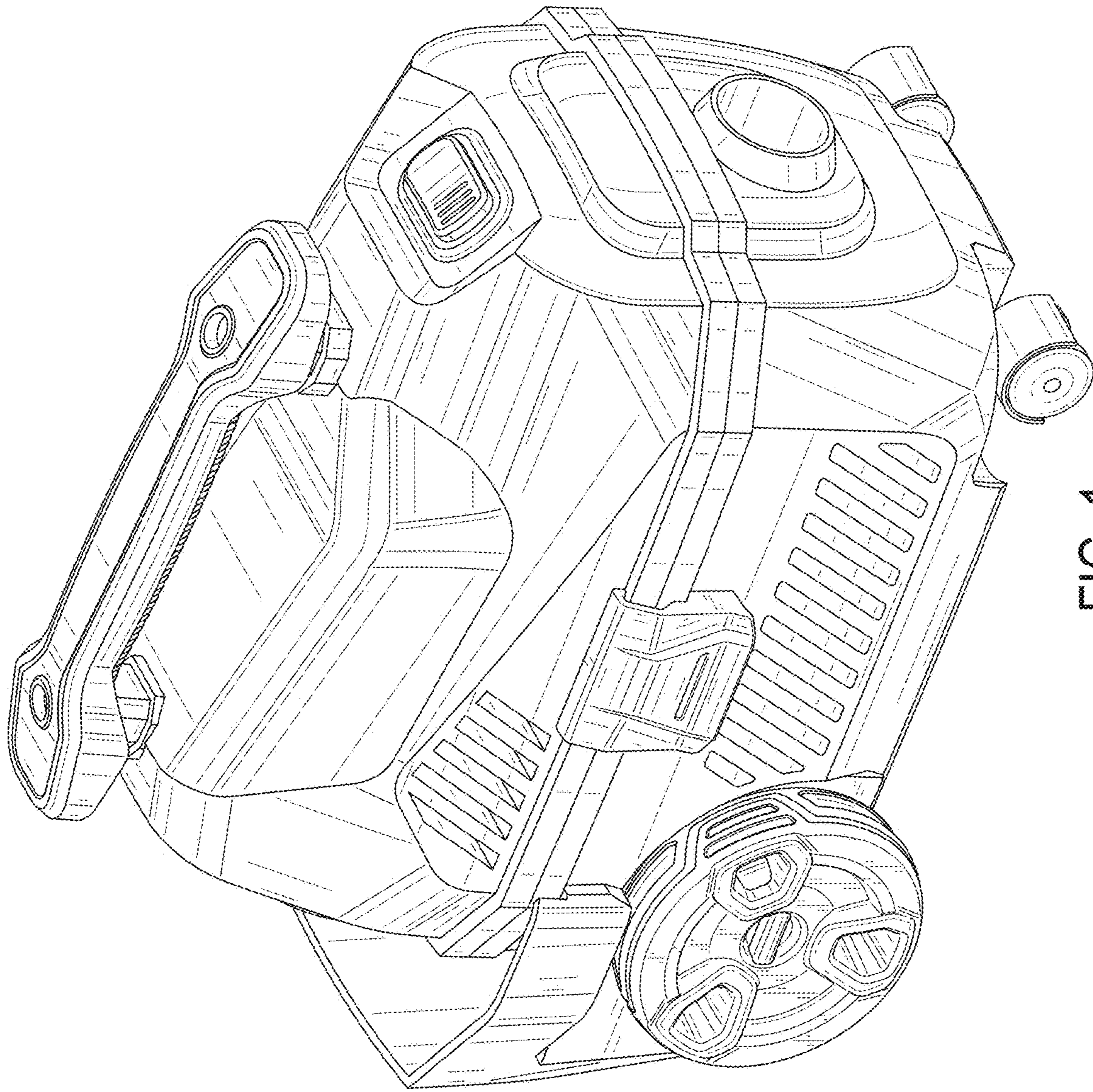


FIG. 1

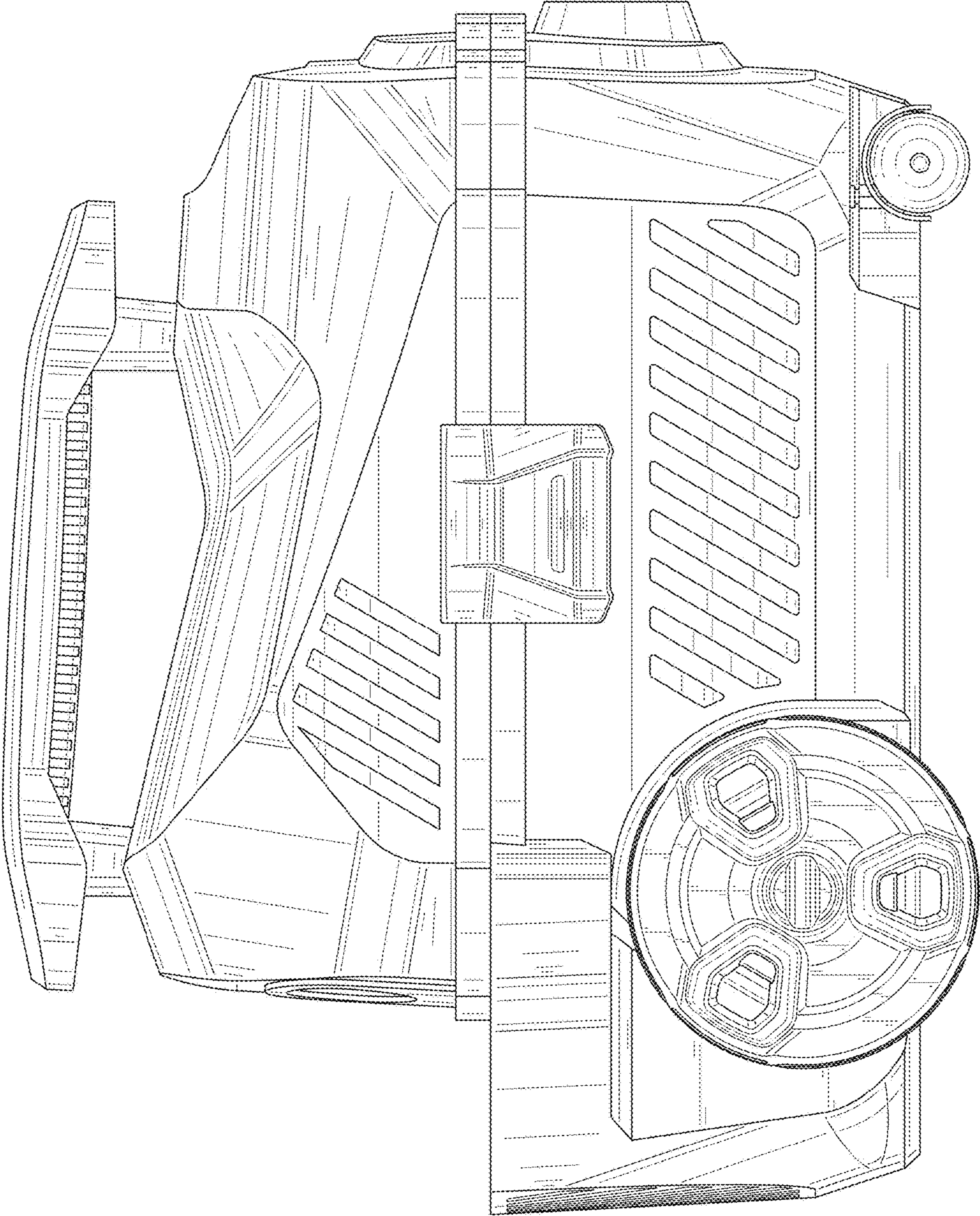


FIG. 2

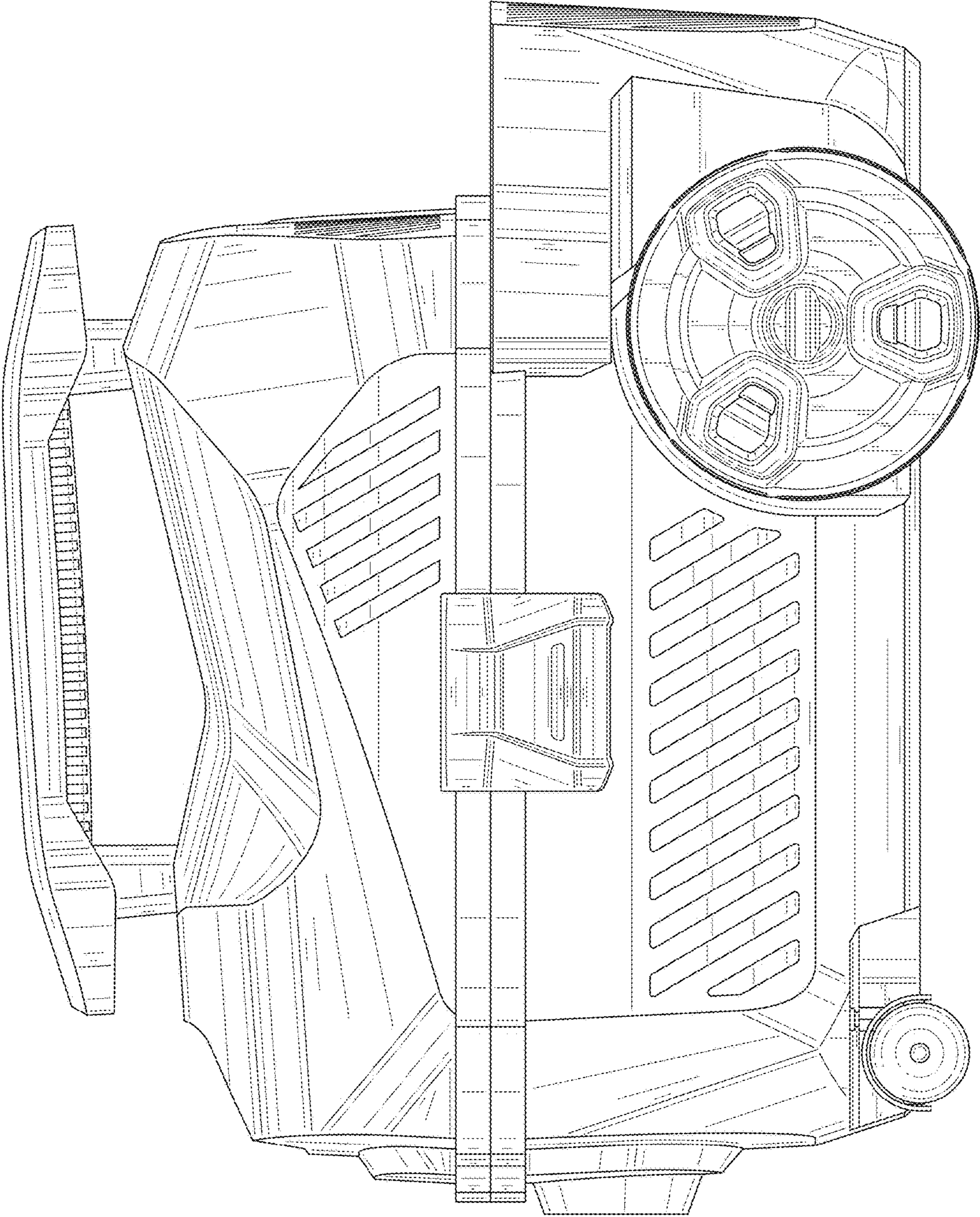


FIG. 3

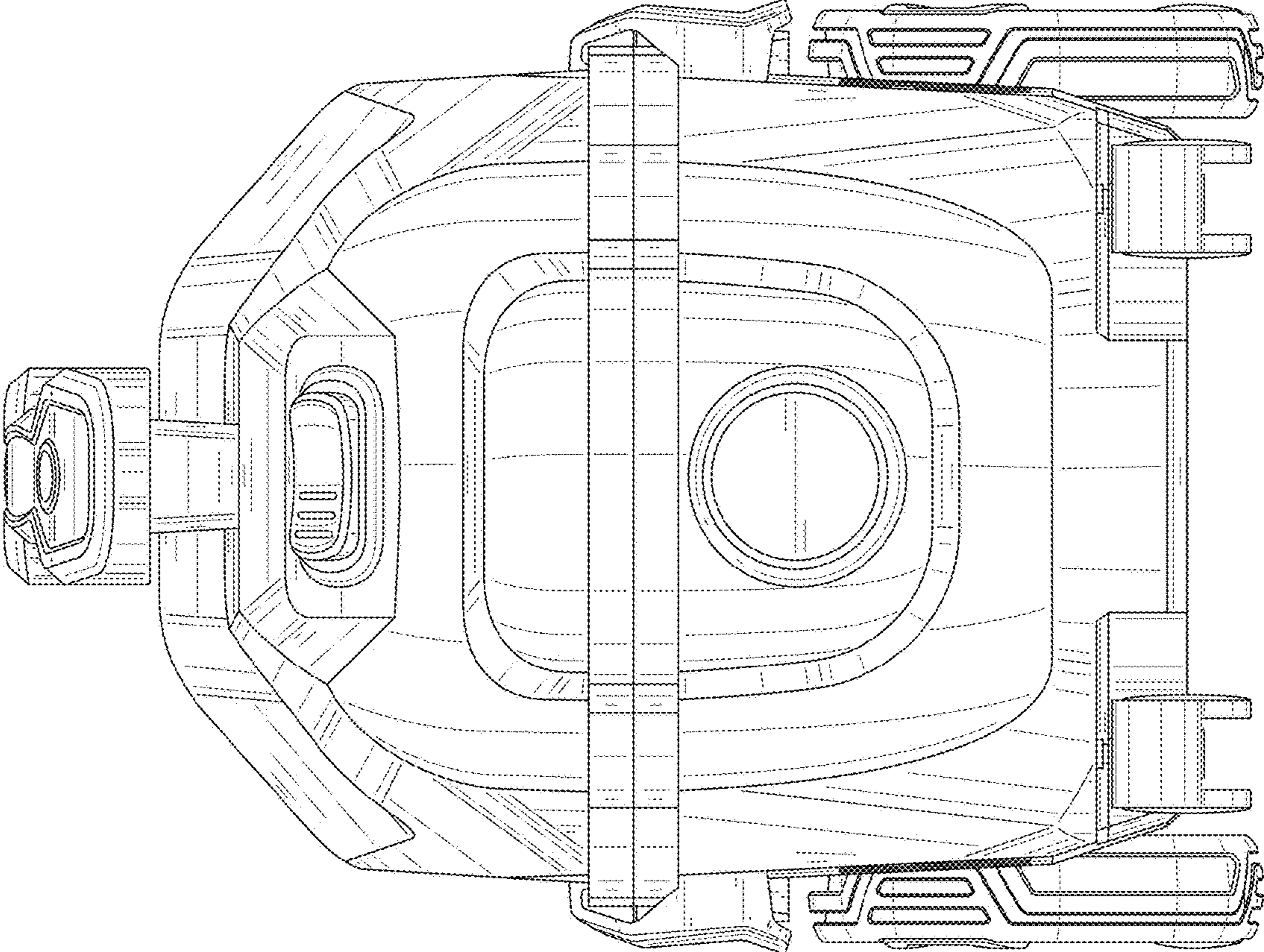


FIG. 4

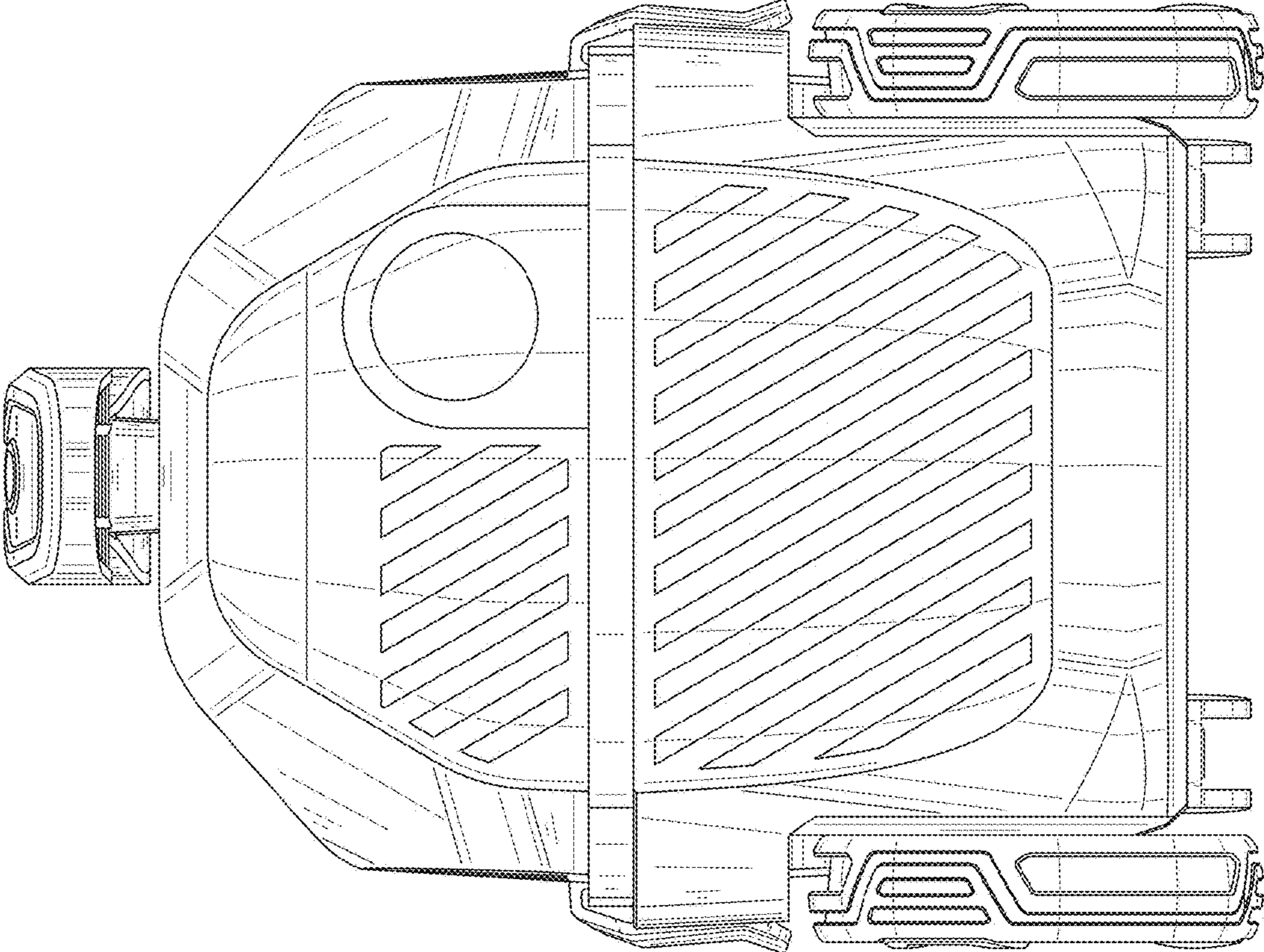


FIG. 5

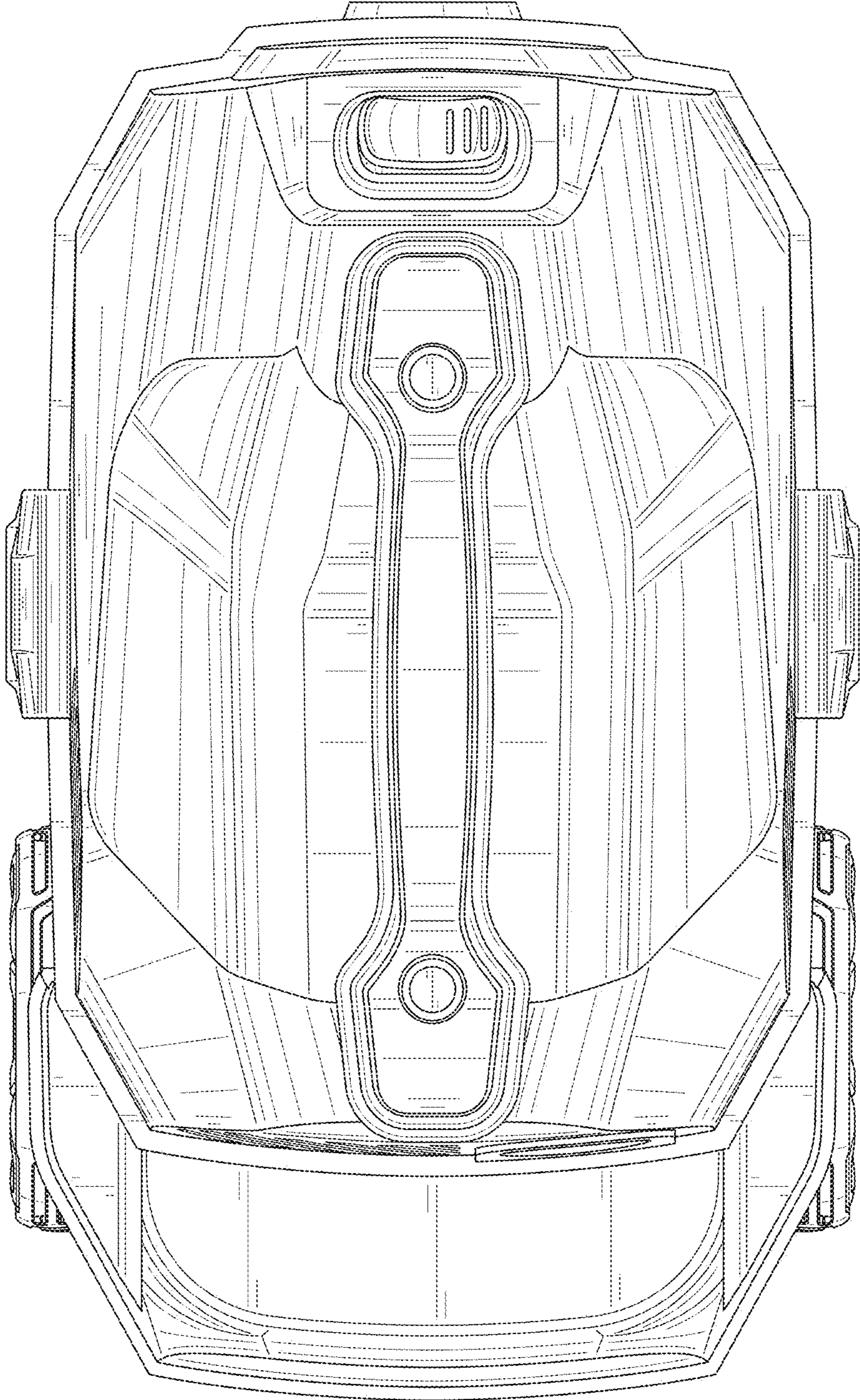


FIG. 6

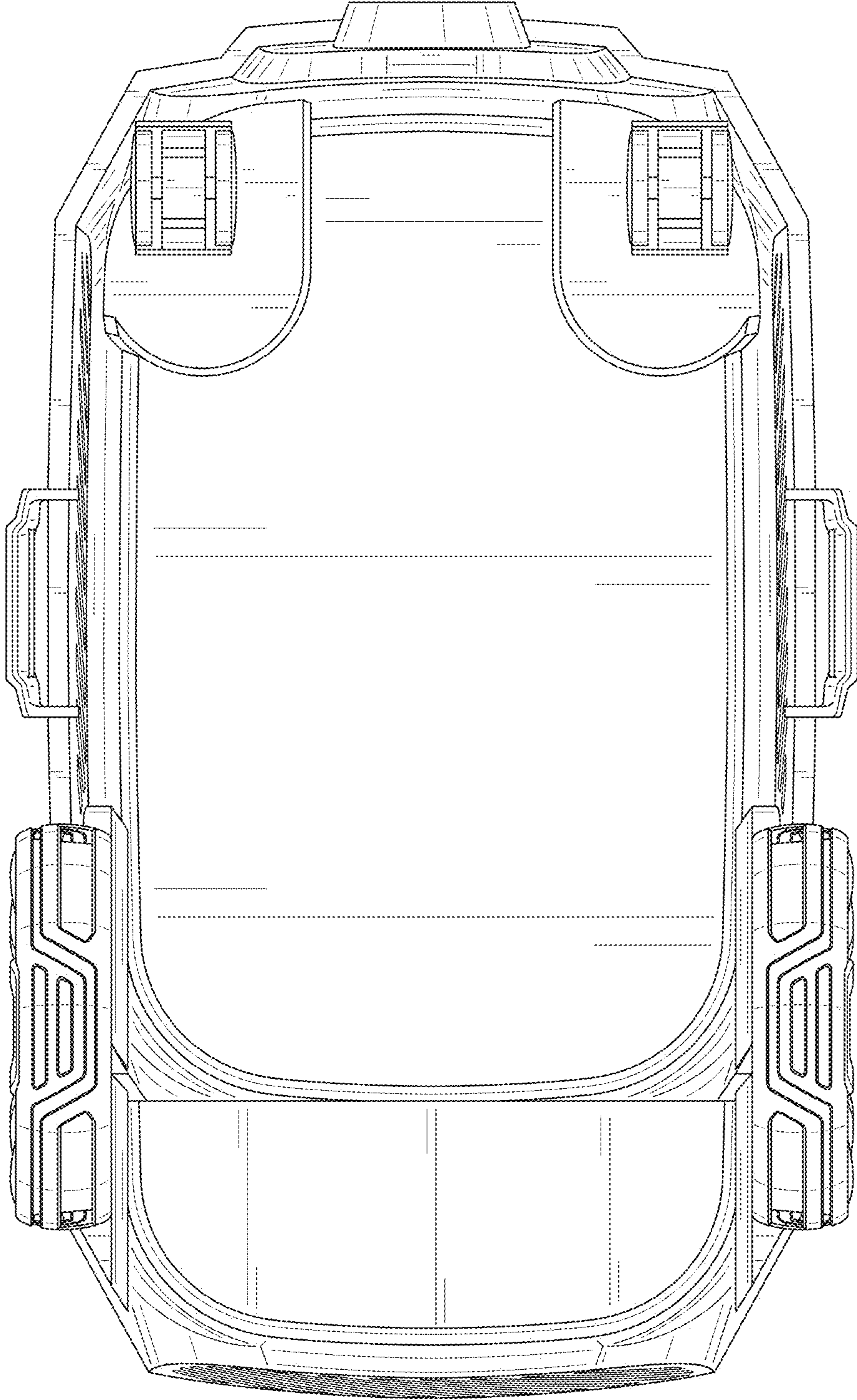


FIG. 7

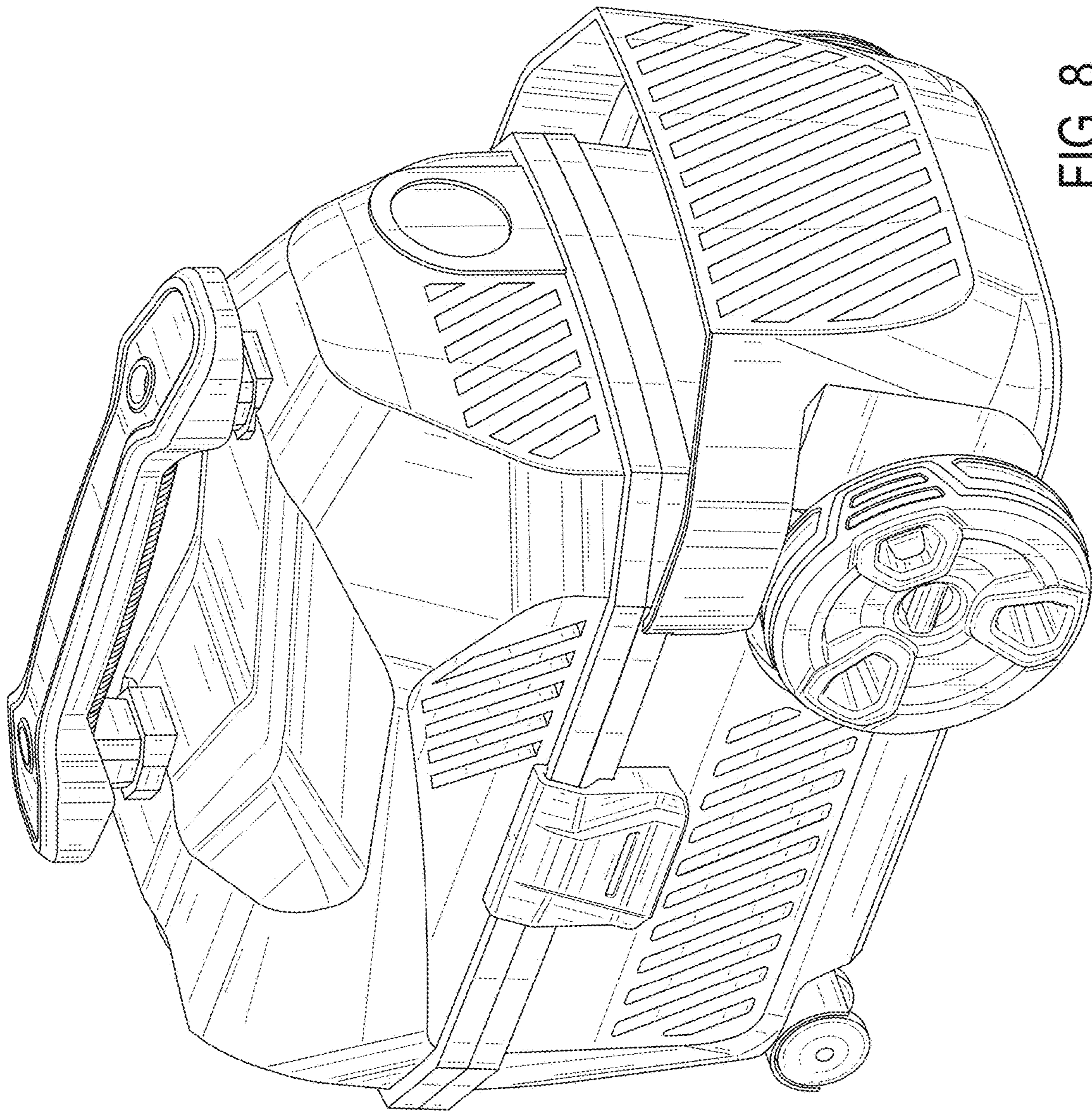


FIG. 8