



US00D912341S

(12) **United States Design Patent** (10) **Patent No.:** **US D912,341 S**  
**Dou et al.** (45) **Date of Patent:** **\*\* Mar. 2, 2021**

(54) **DUST MITE CONTROLLER**  
 (71) Applicant: **BEIJING XIAOMI MOBILE SOFTWARE CO., LTD.**, Beijing (CN)  
 (72) Inventors: **Wenbo Dou**, Beijing (CN); **Lei Zhang**, Beijing (CN); **Ningning Li**, Beijing (CN)

(73) Assignee: **BEIJING XIAOMI MOBILE SOFTWARE CO., LTD.**, Beijing (CN)

(\*\*) Term: **15 Years**

(21) Appl. No.: **35/508,249**

(22) Filed: **Nov. 6, 2019**

(80) **Hague Agreement Data**

Int. Filing Date: **Nov. 6, 2019**  
 Int. Reg. No.: **DM/204987**  
 Int. Reg. Date: **Nov. 6, 2019**  
 Int. Reg. Pub. Date: **Dec. 27, 2019**

(30) **Foreign Application Priority Data**

May 16, 2019 (CN) ..... 201930236461.2

(51) **LOC (13) Cl.** ..... **15-05**

(52) **U.S. Cl.**  
 USPC ..... **D32/18**

(58) **Field of Classification Search**

USPC ..... D32/17, 18, 21, 24, 31  
 CPC .... A47L 11/4008; A47L 13/51; A47L 9/0673;  
 A47L 9/0693; A47L 9/244; A47L 9/30;  
 A47L 11/28; A47L 11/305; A47L  
 11/4011; A47L 11/4061; A47L 11/4066;  
 A47L 2201/00; A47L 2201/022; A47L  
 2201/04; A47L 2201/06; A47L 5/32;  
 A47L 5/362; A47L 7/04; A47L 9/066;  
 A47L 9/0686; A47L 9/24; A47L 9/242;  
 A47L 9/2805;

(Continued)

(56) **References Cited**

U.S. PATENT DOCUMENTS

D569,061 S \* 5/2008 Nardone ..... D32/18  
 D569,563 S \* 5/2008 Shin ..... D32/18

(Continued)

FOREIGN PATENT DOCUMENTS

CN 302825964 S 5/2014  
 CN 303403989 S 10/2015

(Continued)

OTHER PUBLICATIONS

Taiwanese Office Action corresponding to Taiwanese Application No. 108306953 dated Apr. 30, 2020.

(Continued)

*Primary Examiner* — Khawaja Anwar

(74) *Attorney, Agent, or Firm* — Dickinson Wright PLLC

(57) **CLAIM**

The ornamental design for a dust mite controller, as shown and described.

**DESCRIPTION**

1. Dust mite controller

**1.1** : Front

**1.2** : Back

**1.3** : Left

**1.4** : Right

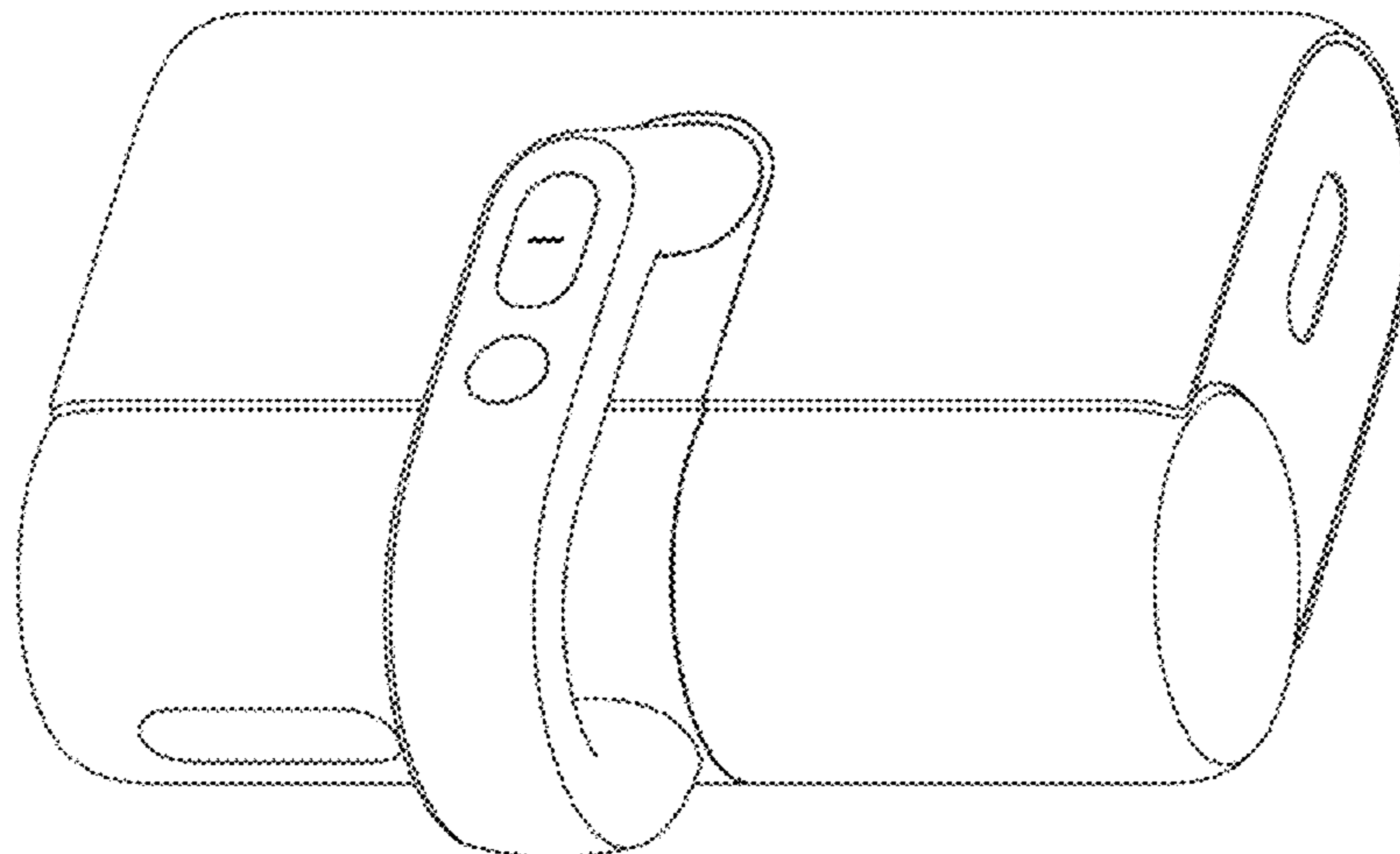
**1.5** : Top

**1.6** : Bottom

**1.7** : Perspective

**1.1** is a front elevation view of a dust mite controller showing our new design; **1.2** is a back elevation view thereof; **1.3** is a left side elevation view thereof; **1.4** is a right plan view thereof; **1.5** is a top plan view thereof; **1.6** is a bottom plan view thereof; and **1.7** is a perspective view

(Continued)



thereof; besides, the dust mite controller incorporating the new design is mainly used for killing mites, vacuuming, etc.

**1 Claim, 7 Drawing Sheets**

**(58) Field of Classification Search**

CPC .... A47L 9/2836; A47L 9/2852; A47L 9/2857;  
A47L 9/2873; A47L 9/2884; A47L 9/327  
See application file for complete search history.

**(56) References Cited**

**U.S. PATENT DOCUMENTS**

D611,209 S *	3/2010	Shin .....	D32/18
D640,847 S *	6/2011	Houghton .....	D32/18
D671,284 S *	11/2012	Paterson .....	D32/18
D724,798 S *	3/2015	Carter .....	D32/18
D725,327 S *	3/2015	Houghton .....	D32/18
D725,852 S *	3/2015	Houghton .....	D32/18
D726,383 S *	4/2015	Milligan .....	D32/18
D732,251 S *	6/2015	Shin .....	D32/18
D732,252 S *	6/2015	Leung .....	D32/18
D792,039 S *	7/2017	Yoon .....	D32/18
D795,513 S *	8/2017	Bruneel .....	D32/18

D806,331 S *	12/2017	Chu .....	D32/18
D827,231 S *	8/2018	Ward .....	D32/18
D834,773 S *	11/2018	Crawley .....	D32/18
2007/0033765 A1 *	2/2007	Walker .....	A47L 9/2873 15/344
2013/0091656 A1 *	4/2013	Smith .....	A47L 9/0063 15/344

**FOREIGN PATENT DOCUMENTS**

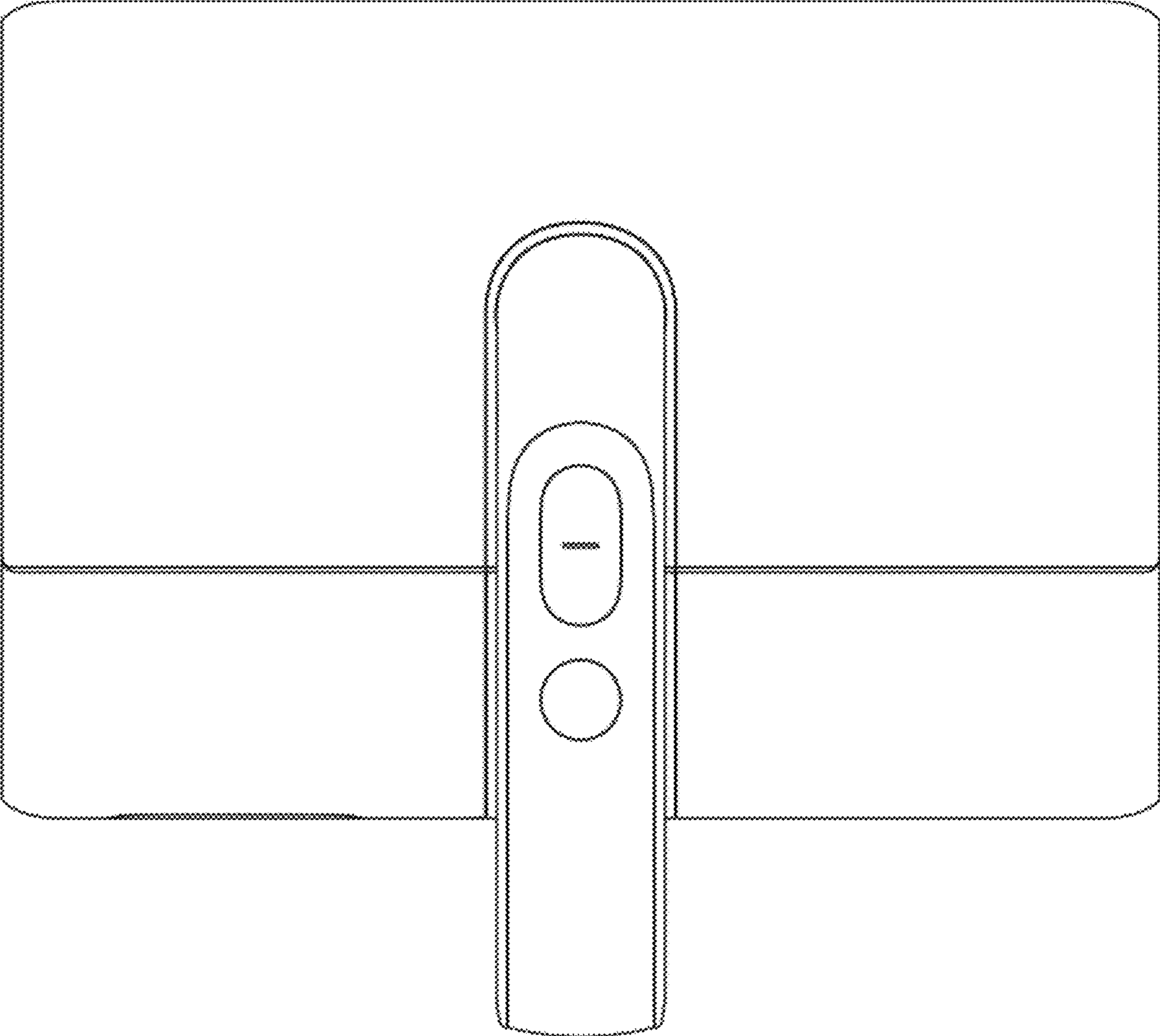
CN	304606824 S	5/2018
CN	304683776 S	6/2018
CN	304758133 S	8/2018
CN	304968277 S	12/2018
CN	305017885 S	1/2019
CN	305017888 S	1/2019
CN	305037415 S	2/2019
CN	305087256 S	3/2019
CN	305635559 S	3/2020
KR	300705158 S	8/2013

**OTHER PUBLICATIONS**

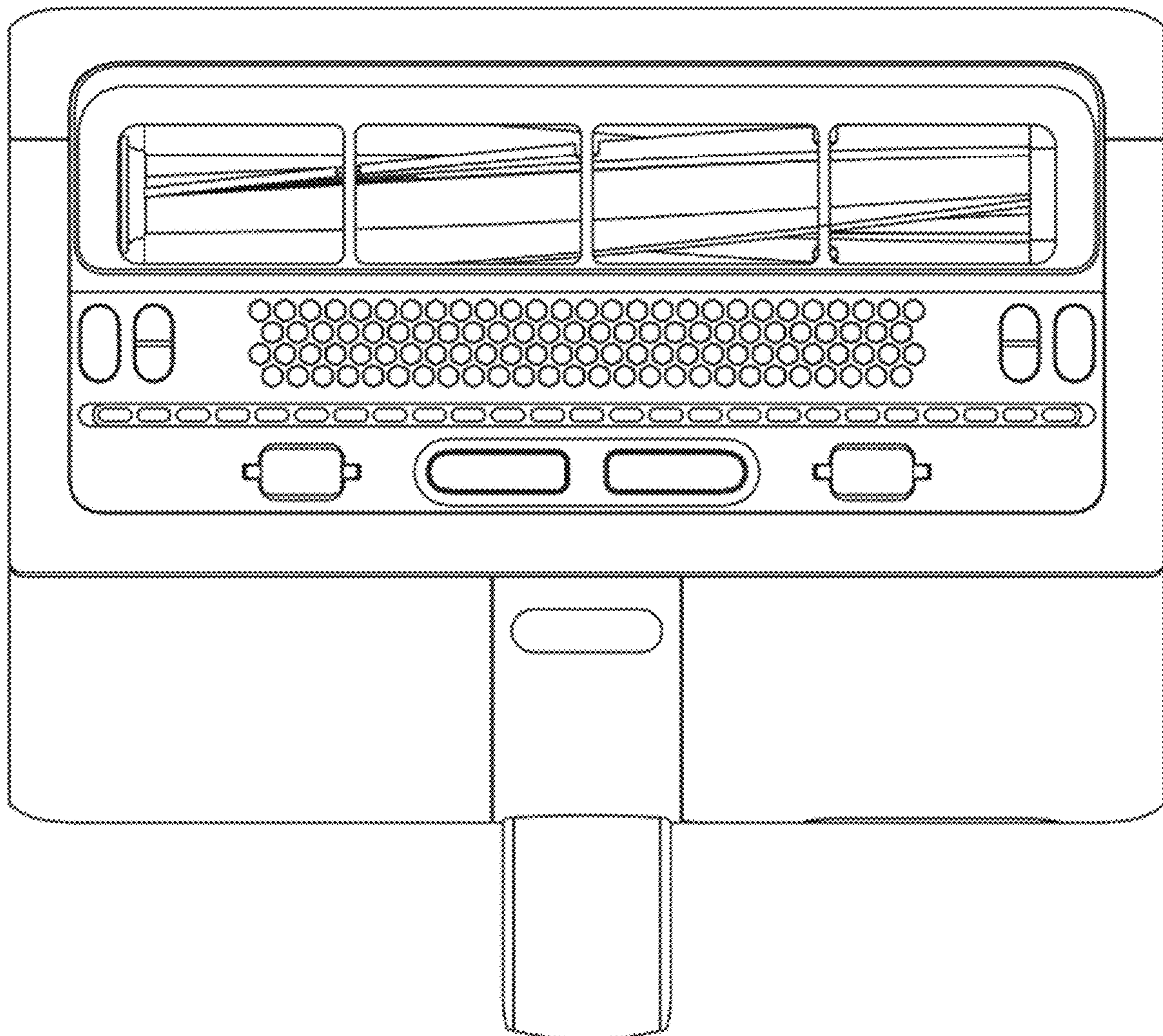
Chinese Office Action corresponding to Chinese Application No. 201930236461.2 dated Apr. 3, 2020.

\* cited by examiner

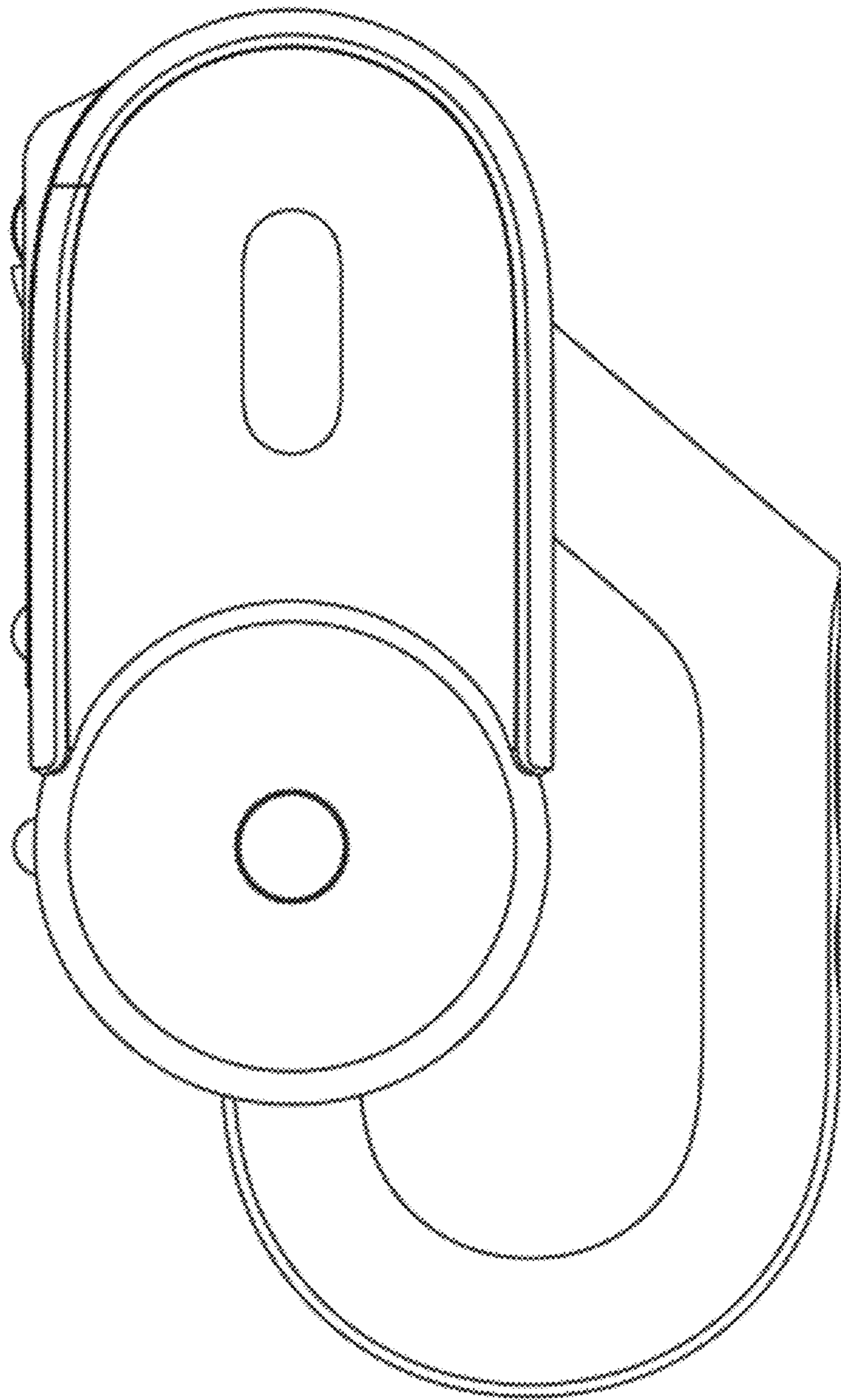
1.1



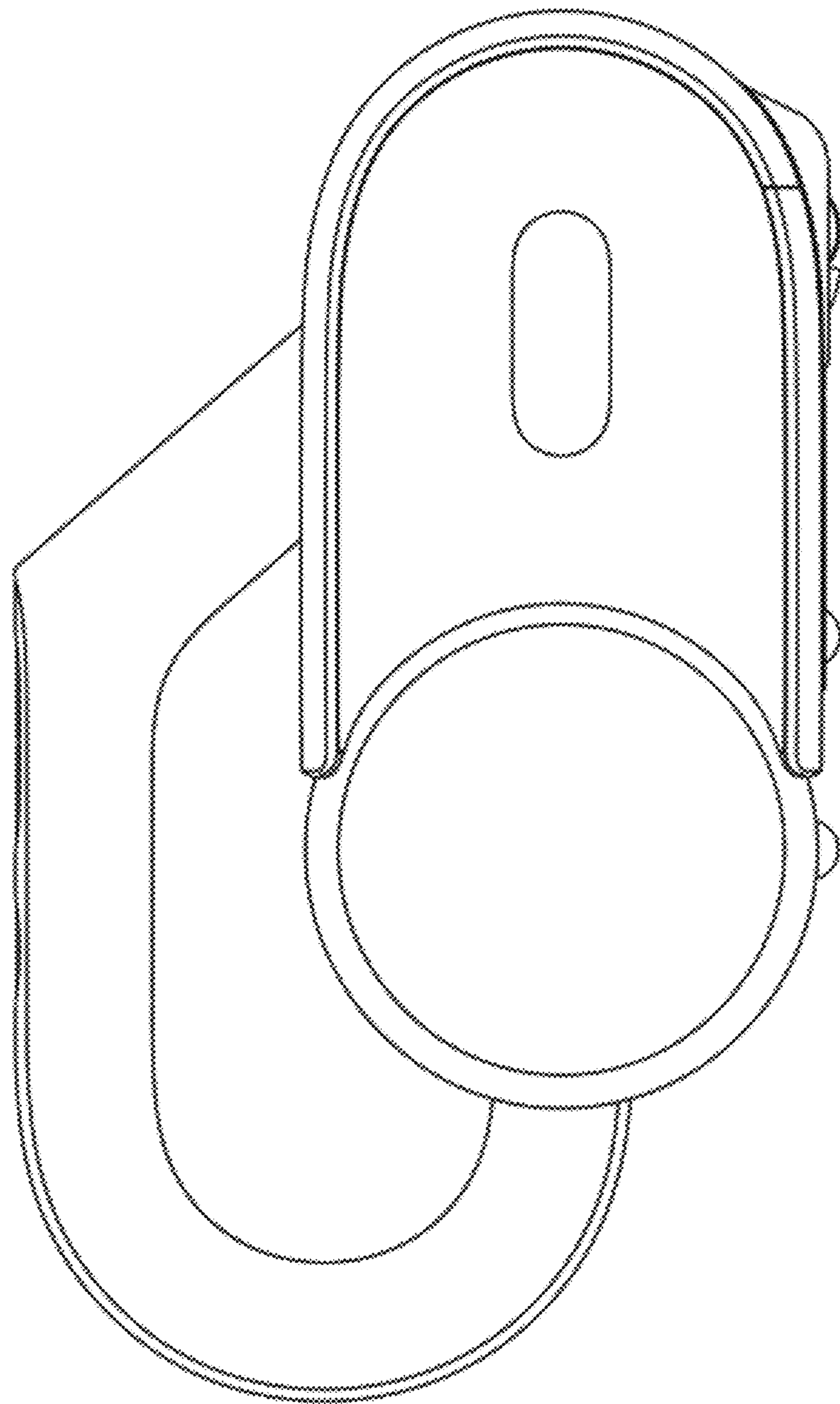
1.2



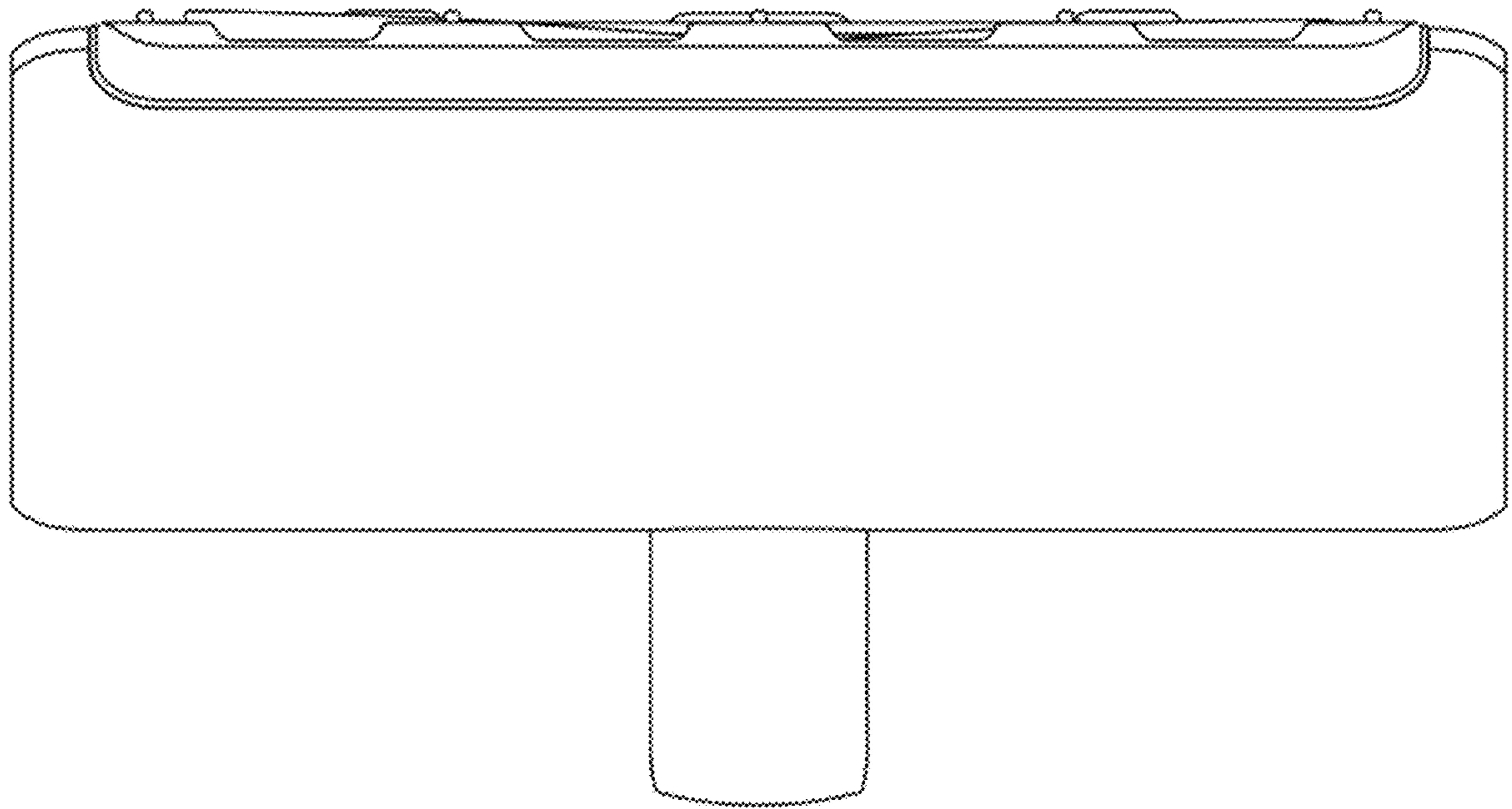
1.3



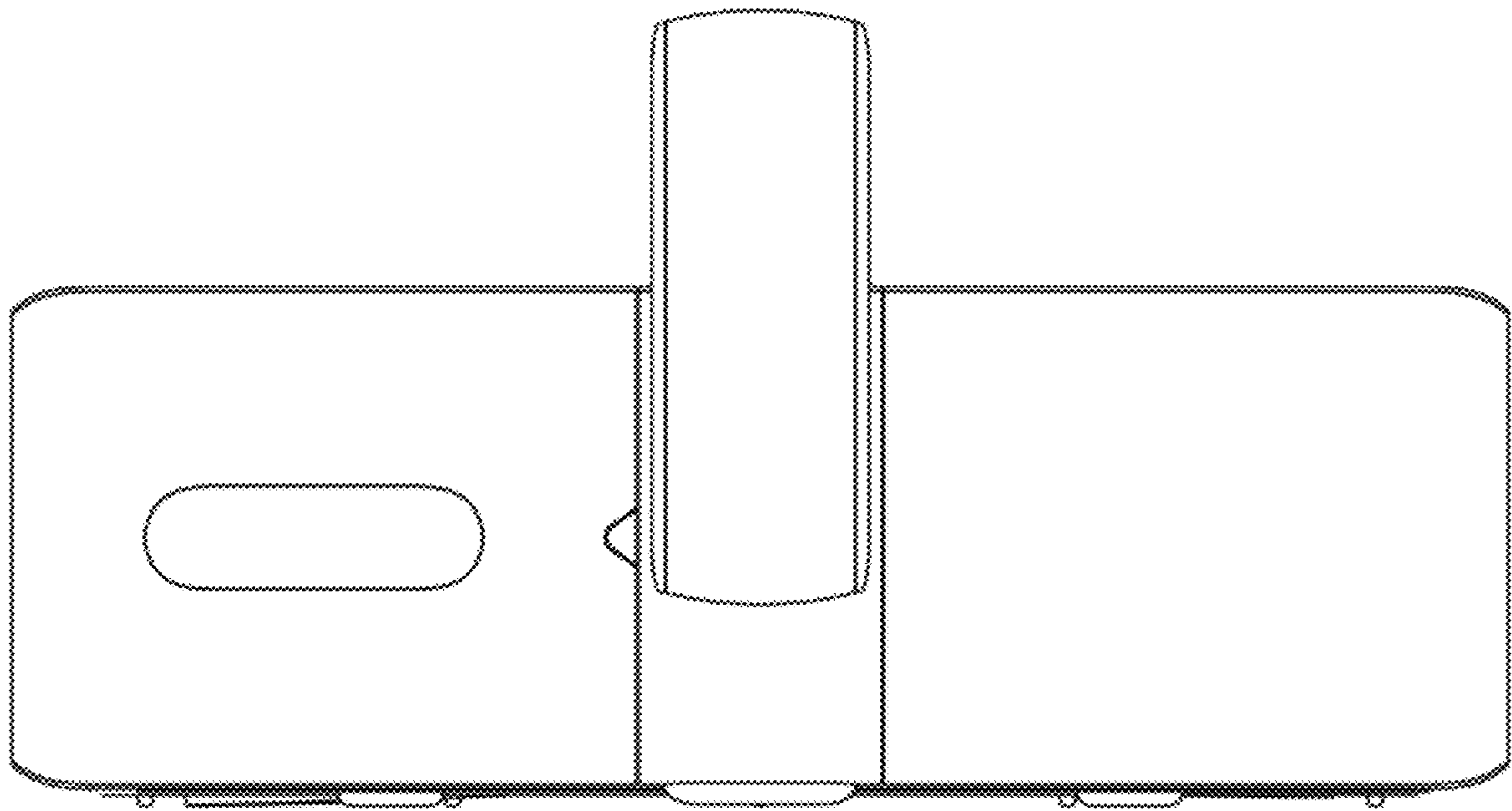
1.4



1.5



1.6





1.7

