



US00D912340S

(12) **United States Design Patent** (10) **Patent No.:** **US D912,340 S**  
**Schuetz et al.** (45) **Date of Patent:** **\*\* \*Mar. 2, 2021**

(54) **TRAILER MOUNTED PRESSURE WASHER**  
(71) Applicant: **Northern Tool & Equipment Company, Inc.**, Burnsville, MN (US)  
(72) Inventors: **John Schuetz**, Owatonna, MN (US); **Timothy Rancourt**, Lakeville, MN (US); **Joseph DeGezelle**, Lakeville, MN (US); **Kyle Hecimovich**, Lonsdale, MN (US); **Nicholas Rancourt**, Minneapolis, MN (US)  
(73) Assignee: **NORTHERN TOOL & EQUIPMENT COMPANY, INC.**, Burnsville, MN (US)  
(\* ) Notice: This patent is subject to a terminal disclaimer.  
(\*\*) Term: **15 Years**  
(21) Appl. No.: **29/642,902**  
(22) Filed: **Apr. 3, 2018**  
(51) **LOC (13) Cl.** ..... **15-05**  
(52) **U.S. Cl.**  
USPC ..... **D32/16**  
(58) **Field of Classification Search**  
USPC ..... D32/15-19, 50-52, 43; D8/70; D12/95, D12/101-102; D23/205-207  
CPC ..... E04D 13/0765; A01G 20/47; A47L 11/30; A47L 11/4066; A47L 11/4002; A47L 11/4011

See application file for complete search history.

(56) **References Cited**

U.S. PATENT DOCUMENTS

127,822 A	6/1872	Ahrenbeck	
D120,552 S *	5/1940	Kaul	D12/101
D190,953 S *	7/1961	Peterson et al.	D12/1
3,263,865 A	8/1966	Kachnik	
D219,207 S *	11/1970	Holtkamp	D12/101
D223,039 S *	2/1972	Widmer	D15/7
3,744,839 A *	7/1973	Stoneburner	B60J 5/0498
			296/181.6
D233,545 S *	11/1974	Johns	D32/16
D243,669 S *	3/1977	Webster	D12/101
4,032,167 A *	6/1977	Chereda	B60P 3/07
			410/3
D253,951 S *	1/1980	Waters	D32/1

5,002,325 A 3/1991 Fought  
5,299,767 A \* 4/1994 Simpson ..... B05B 15/00  
239/175  
5,704,989 A \* 1/1998 Page ..... A47L 11/34  
134/10

(Continued)

FOREIGN PATENT DOCUMENTS

AU 201812028 1/2018  
AU 201812030 1/2018

(Continued)

OTHER PUBLICATIONS

NorthStar ProShot Hot Water Commercial Pressure Washer Trailer—3000 PSI, website 2019, site visited Dec. 4, 2019, [https://www.northerntool.com/shop/tools/product\\_200732884\\_200732884](https://www.northerntool.com/shop/tools/product_200732884_200732884).\*

(Continued)

Primary Examiner — John R Yeh  
(74) Attorney, Agent, or Firm — Fafinski Mark & Johnson, P.A.

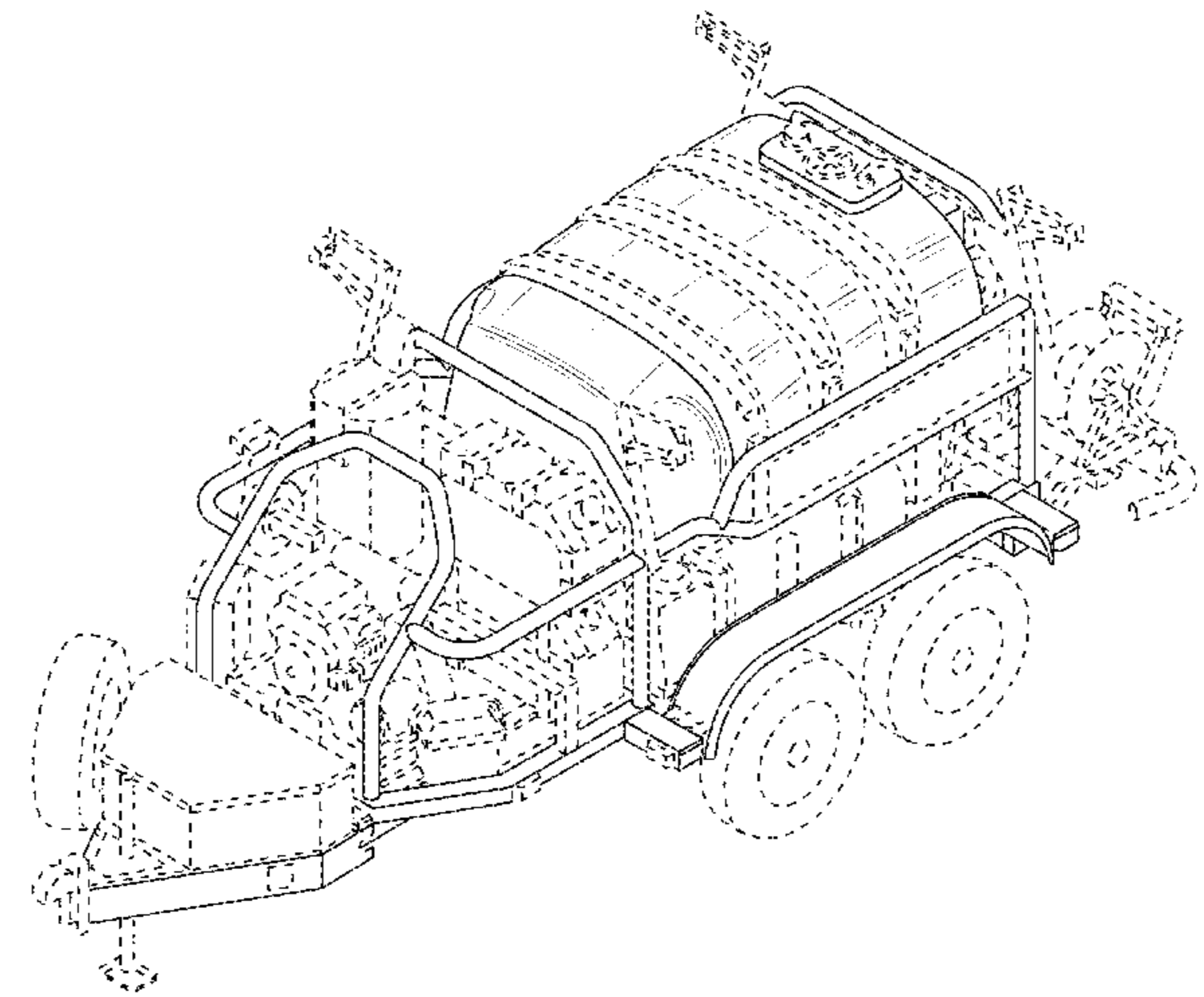
(57) **CLAIM**

The ornamental design for a trailer mounted pressure washer, as shown and described.

**DESCRIPTION**

FIG. 1 is a front, right perspective view of our design for a trailer mounted pressure washer;  
FIG. 2 is a left, rear perspective view thereof;  
FIG. 3 is a front elevation view thereof;  
FIG. 4 is a rear elevation view thereof;  
FIG. 5 is a left side elevation view thereof;  
FIG. 6 is a right side elevation view thereof;  
FIG. 7 is a top plan view thereof; and,  
FIG. 8 is a bottom plan view thereof.  
The broken lines in the figures represent portions of the trailer mounted pressure washer that form no part of the claimed design.

**1 Claim, 8 Drawing Sheets**



(56)

References Cited

U.S. PATENT DOCUMENTS

D467,692	S	*	12/2002	Morgan	.....	D32/15
D473,494	S		4/2003	Lieberman		
6,715,195	B2		4/2004	Erickson		
D530,242	S	*	10/2006	Prusmack	.....	D12/101
D532,942	S	*	11/2006	Busschaert	.....	D32/15
D534,099	S	*	12/2006	Prusmack	.....	D12/101
7,300,073	B2		11/2007	Bachman		
D570,058	S	*	5/2008	Watson	.....	D32/1
D633,263	S	*	2/2011	Fay	.....	D32/15
D634,083	S	*	3/2011	Fay	.....	D32/15
D639,001	S	*	5/2011	Alexander	.....	D32/15
D658,548	S	*	5/2012	Silva e Costa	.....	D12/95
D659,595	S	*	5/2012	Eliason	.....	D12/102
D714,691	S	*	10/2014	Costello	.....	D12/95
D714,692	S	*	10/2014	Costello	.....	D12/95
D726,382	S	*	4/2015	Taylor	.....	D32/15
D732,764	S	*	6/2015	Kennard	.....	D32/15
D759,547	S	*	6/2016	Van Wyk	.....	D12/102
D824,612	S	*	7/2018	Alexander	.....	D32/16
D824,613	S	*	7/2018	Alexander	.....	D32/16
D834,269	S	*	11/2018	Masters	.....	D32/15
2006/0102745	A1	*	5/2006	Dexter	.....	B05B 9/0855 239/146

FOREIGN PATENT DOCUMENTS

AU	201812032	M	1/2018
AU	201812033		1/2018
AU	201812037		1/2018
CL	2018001038	W	3/2018
CL	2018001040	W	3/2018
CL	2018001041	W	3/2018
CL	2018001044	W	3/2018
CL	2016001032	W	4/2018
CL	2018001033	W	4/2018
CL	2018001034	W	4/2018
CL	2018001035	W	4/2018
CL	2018001036	W	4/2018
CL	2018001037		4/2018
CL	2018001039	W	4/2018
CL	2018001042	W	4/2018
CL	2018001043	W	4/2018

OTHER PUBLICATIONS

NorthStar ProShot Hot Water Commercial Pressure Washer Trailer—4000 PSI, website questions 2018, [https://www.northerntool.com/shop/tools/product\\_200697186\\_200697186](https://www.northerntool.com/shop/tools/product_200697186_200697186), site visited Dec. 4, 2019.\*  
Trailer Pressure Washer Units | Hotsy Industrial website 2020, <https://www.hotsy-az.com/trailers>, site visited Jun. 2, 2020.\*

Gas Pressure Washers | Simpson 95000 Mobile Trailer, Global Industrial website 2020, [https://www.globalindustrial.com/...aram.campaignId=T9F&gclid=EA1a1QobChMIs-320efj6QIVkorlCh2zzAWZEAYYBCABEgJ0uPD\\_BwE](https://www.globalindustrial.com/...aram.campaignId=T9F&gclid=EA1a1QobChMIs-320efj6QIVkorlCh2zzAWZEAYYBCABEgJ0uPD_BwE), site visited Jun. 2, 2020.\*

“Owner’s Manual M157563D.3—Trailer Mounted Hot Water/Steam Pressure Washer—Item No. 157565, <https://northerntool.com/images/downloads/manuals/157565.pdf>.”

“Letter by Goytia & Associates regarding Office Action/Notification of Examination Report for Chilean Patent Application No. 2018-01037, said letter dated Jun. 14, 2019, and interpreting the report dated Apr. 20, 2018 issued by Chilean PTO.”

“Report dated Apr. 20, 2018 for Chilean Patent Application No. 2018-01037, issued by the Chilean PTO.”

<http://web.archive.org/web/20150906105925/http://www.northerntool.com/images/downloads/manuals/157595.pdf>.

<https://www.youtube.com/watch?v=fdhbvrFpYU0>.

<http://web.archive.org/web/201703230502/https://www.pressurewashersdirect.com/Cam-Spray-CBG5055HT-Pressure-Washer/p10381.html>.

<https://web.archive.org/web/20161025170211/http://landamidwest.com/products/mobile-wash-trailers/tr-60000-series>.

<https://web.archive.org/web/20161105004125/http://powerlineindustriesreviews.com/index/php/trailer-power-washers>.

<https://www.youtube.com/watch?v=HF5OVOrCVq0>.

“Remarks letter by Applicant.”

“Remarks letter by Applicant.”

Email by Goytia & Associates regarding Notice of Allowance for Chilean Patent Application No. 2018-01037, said letter dated Dec. 17, 2019.

<https://amazon.com/26x102-Gooseneck-Trailer-zplsndzsd-26XT/dp/B01E9CXTFWC> (Nov. 28, 2016).

[https://amazon.com/dp/B01E9XGG9M/ref=psdc\\_5743826011\\_13\\_B01EQK3L21](https://amazon.com/dp/B01E9XGG9M/ref=psdc_5743826011_13_B01EQK3L21) (Nov. 28, 2016).

[https://amazon.com/dp/B01EQK3L2/ref=psdc\\_5743826011\\_11\\_B01E9XTFWC](https://amazon.com/dp/B01EQK3L2/ref=psdc_5743826011_11_B01E9XTFWC) (Apr. 24, 2016).

[https://amazon.com/dp/B01EQK3L2/ref=psdc\\_5743826011\\_13B01EQKJOB0](https://amazon.com/dp/B01EQK3L2/ref=psdc_5743826011_13B01EQKJOB0) (Apr. 24, 2016).

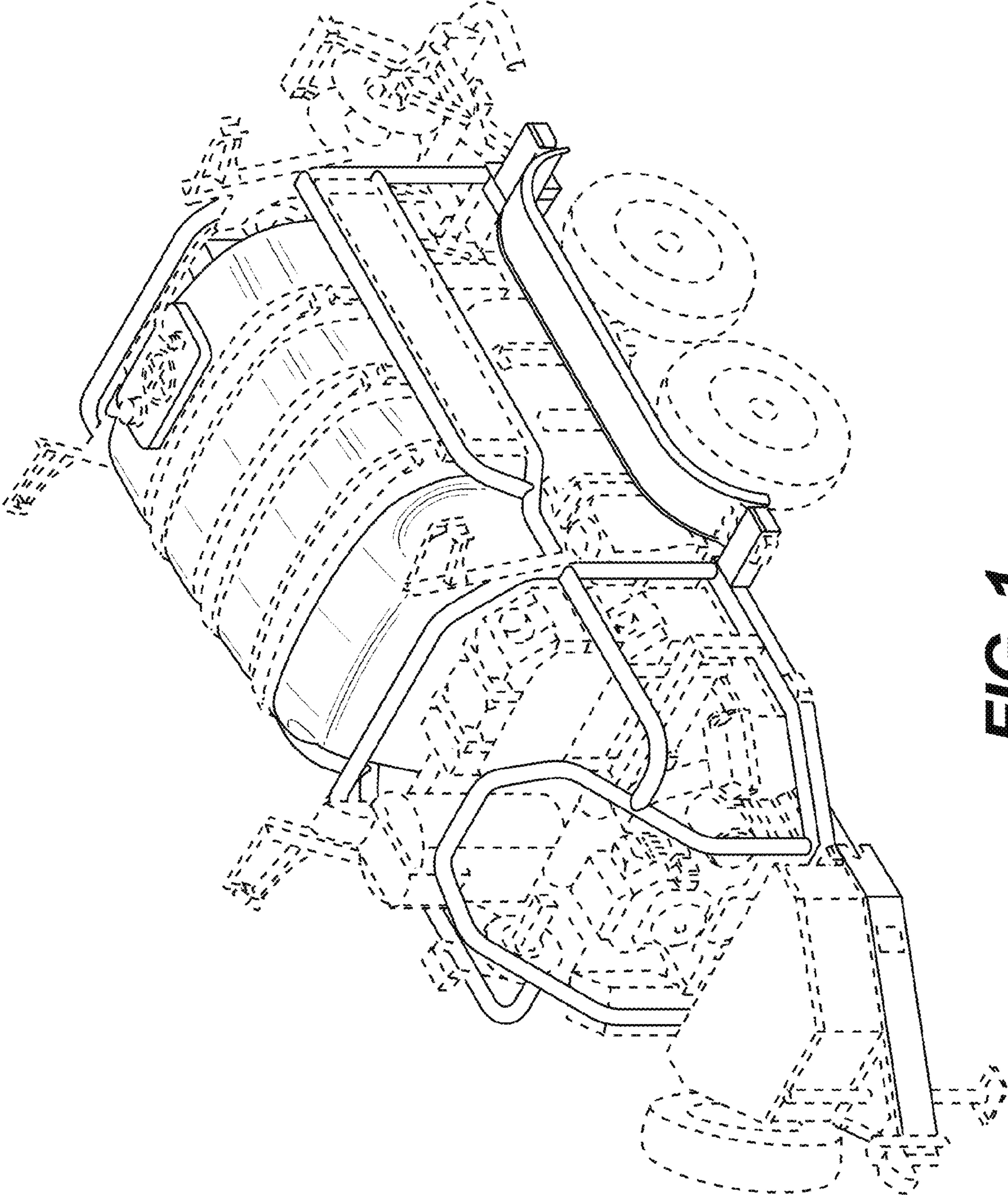
<https://northerntool.com/images/downloads/manuals/157565.pdf> (it is believed the link was published by Applicant on or around Nov. 29, 2018).

<https://northerntool.com/images/downloads/manuals/157567.pdf> (it is believed the link was published by Applicant on or around Jan. 29, 2019).

<http://web.archive.org/web/20170903074431/https://www.ramteg.com/en/custom-trailers-photos>.

Trailer Mounted Hot Water/Steam Pressure Water 3000 PSI/4.0GPM, (item No. 157561 <https://www.northerntool.com/images/downloads/manuals/157561.pdf>).

\* cited by examiner



**FIG. 1**

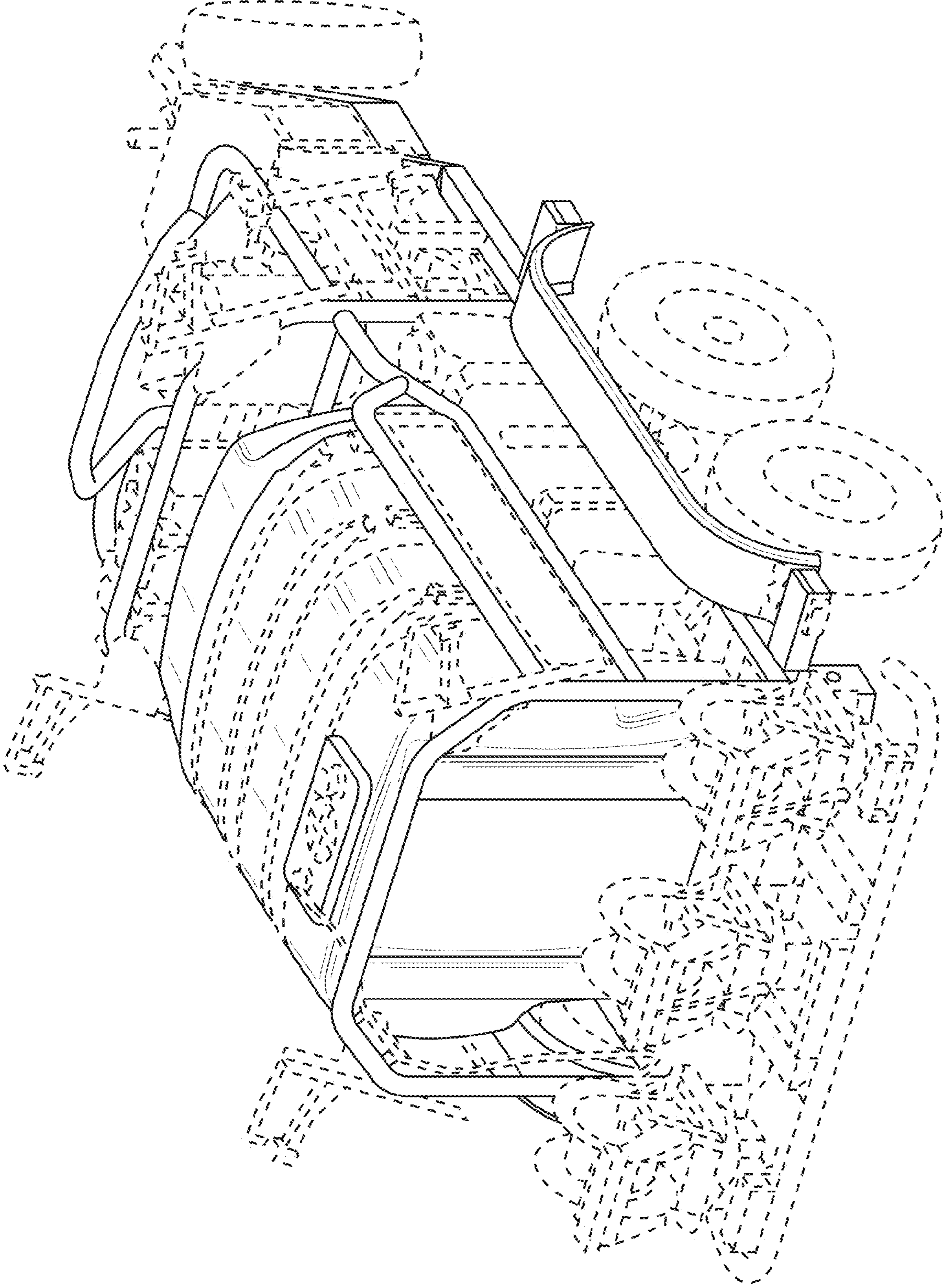
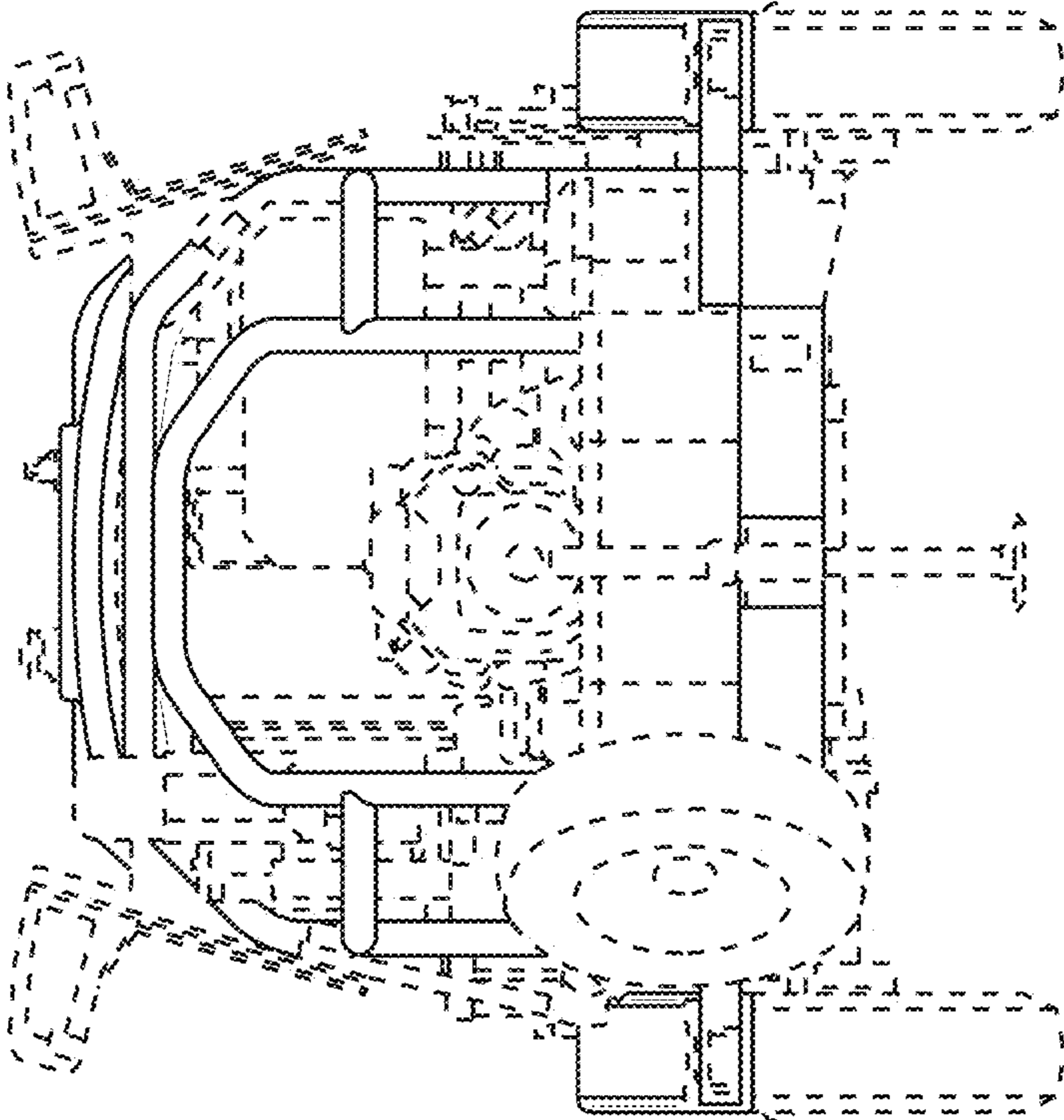
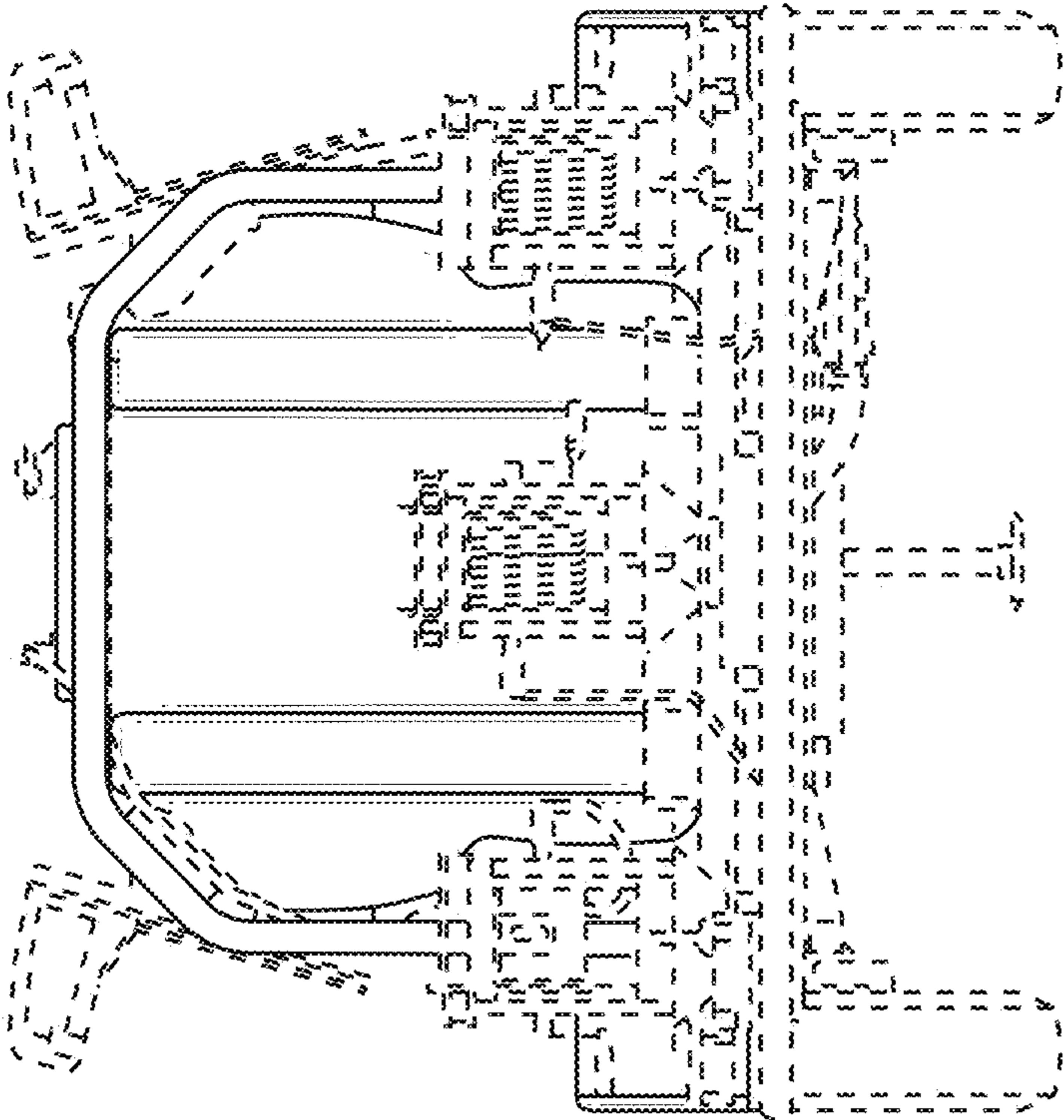


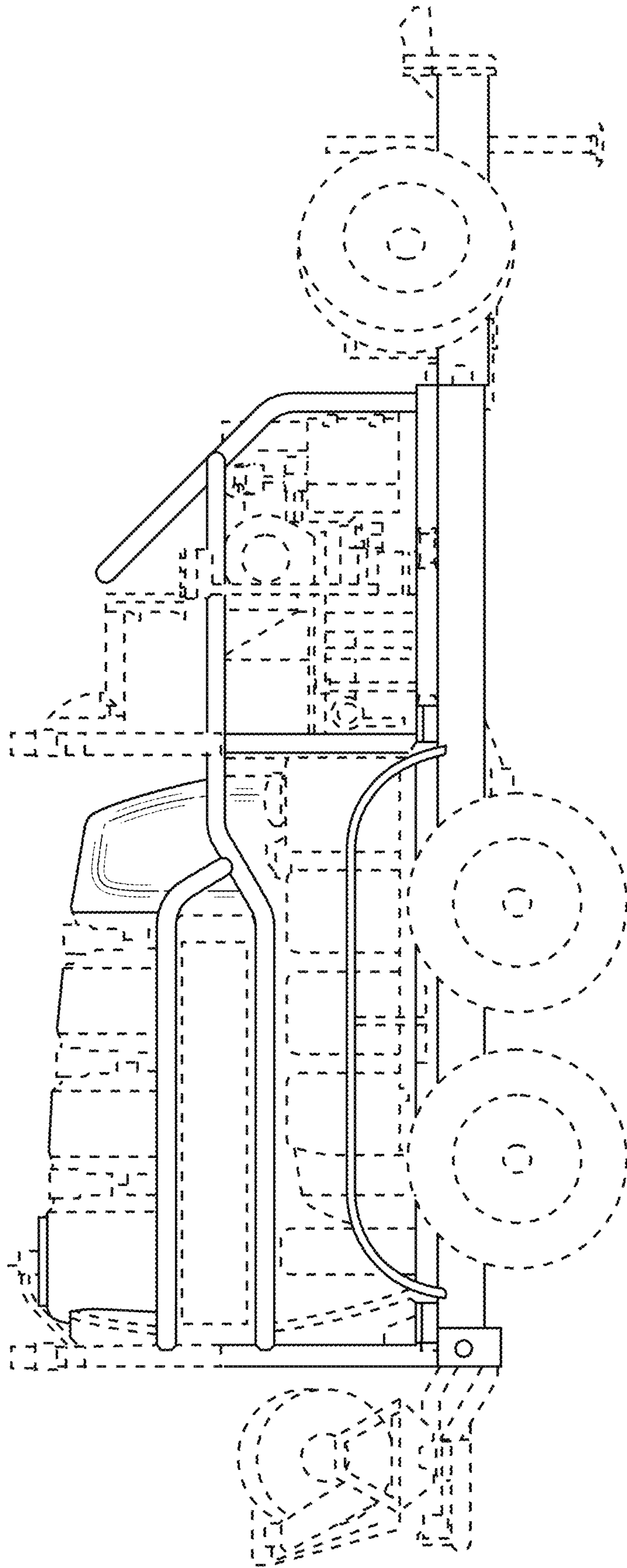
FIG. 2



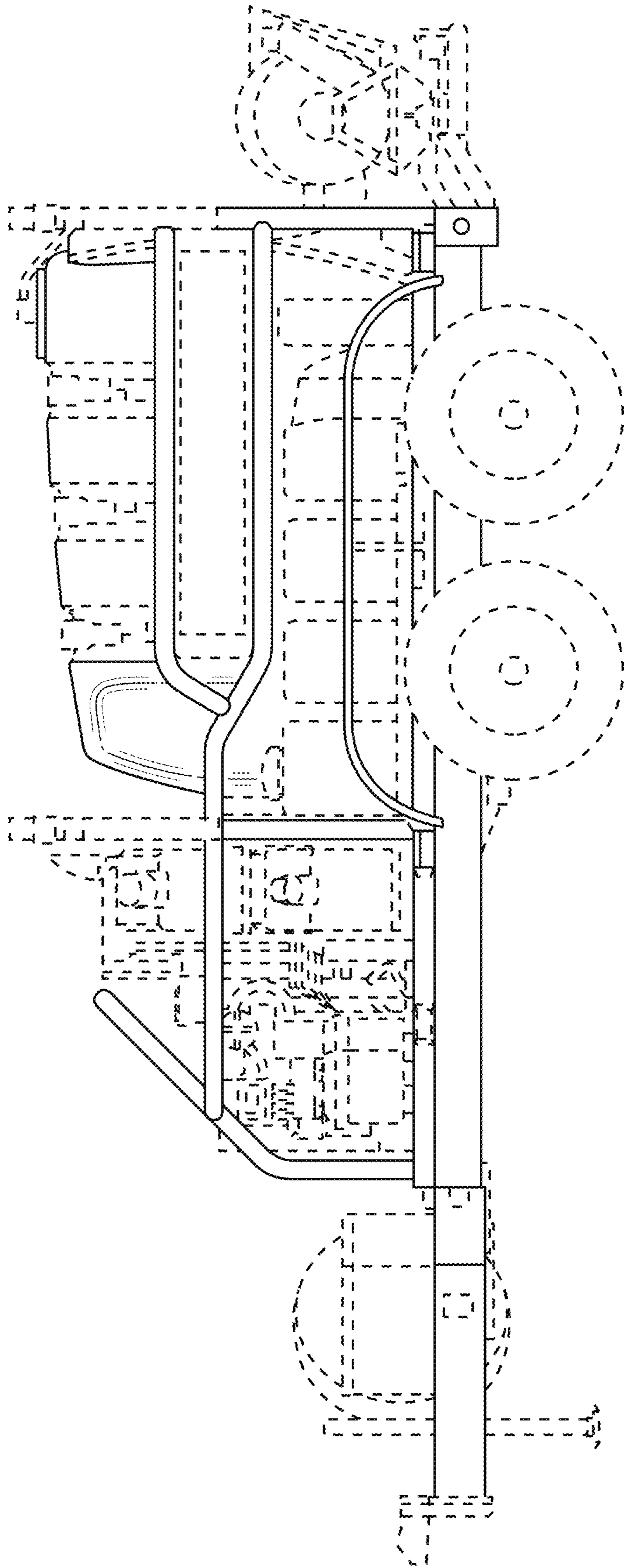
**FIG. 3**



**FIG. 4**

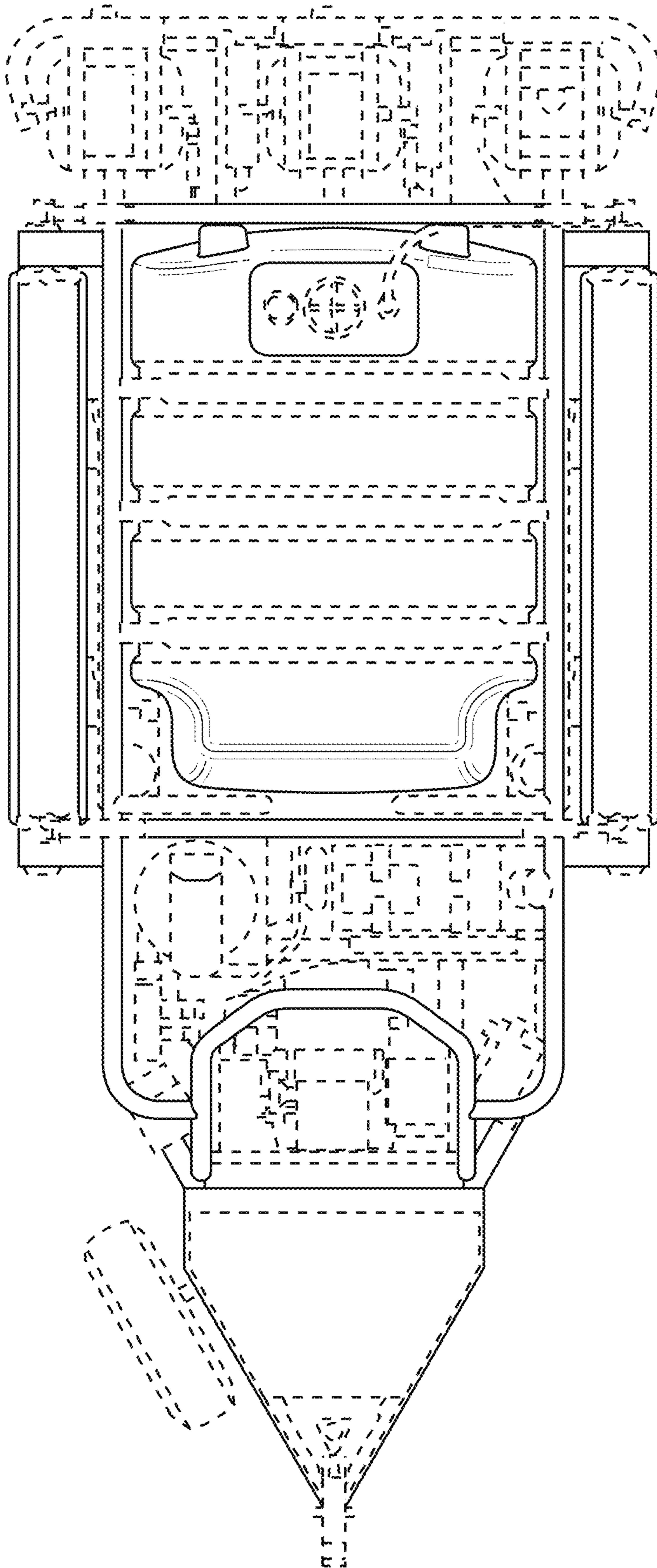


**FIG. 5**

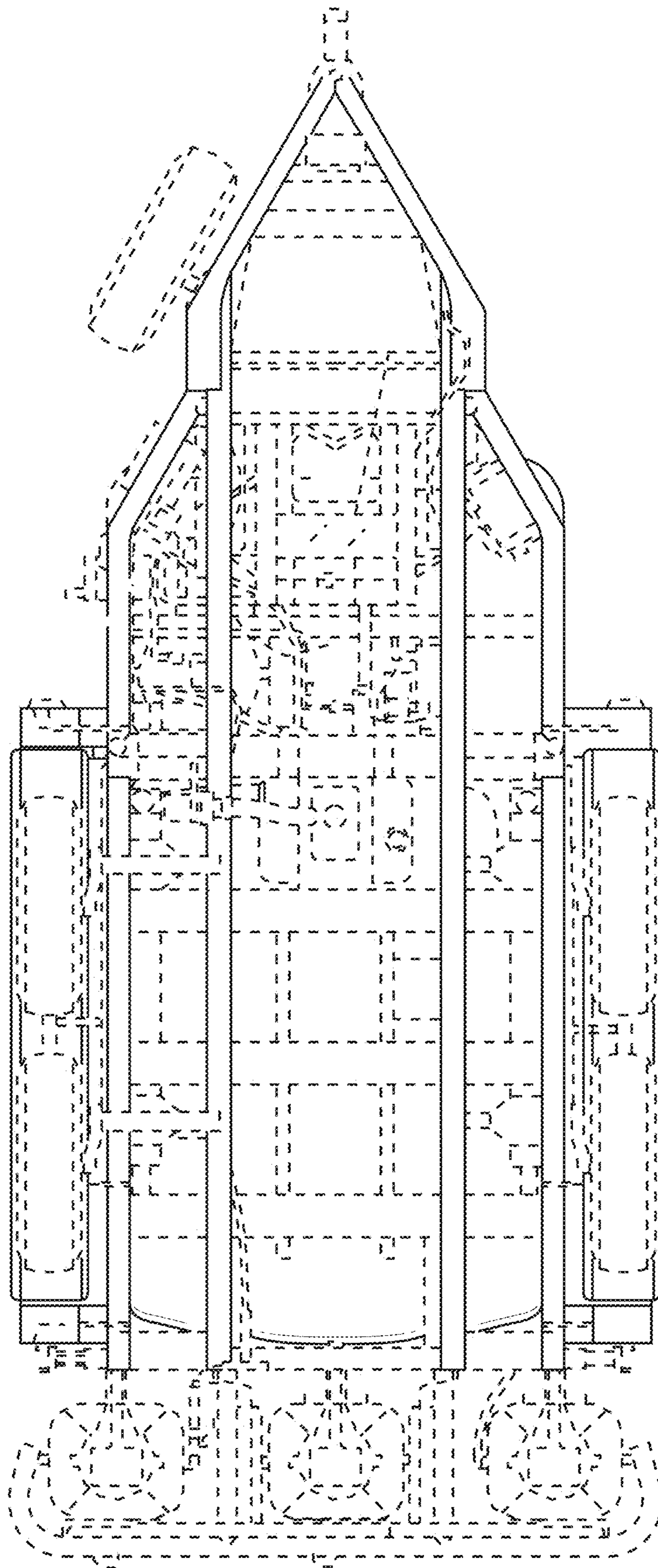


**FIG. 6**





**FIG. 7**



**FIG. 8**