



US00D912337S

(12) **United States Design Patent** (10) **Patent No.:** **US D912,337 S**
Hu (45) **Date of Patent:** **** Mar. 2, 2021**

(54) **BARK CONTROLLER**

7/00; H04L 17/02; G05B 11/01; G06F 3/02; H01Q 1/273; H01Q 1/362; H01Q 11/08; H01Q 7/08

(71) Applicant: **Zhenggen Hu**, Dongta Township (CN)

See application file for complete search history.

(72) Inventor: **Zhenggen Hu**, Dongta Township (CN)

(56) **References Cited**

(**) Term: **15 Years**

U.S. PATENT DOCUMENTS

(21) Appl. No.: **29/731,091**

D110,302 S *	6/1938	Guerlain	D9/635
D134,427 S *	11/1942	McIntosh	D9/451
D392,421 S *	3/1998	Dinand	D28/78
D469,690 S *	2/2003	Pau	D9/424
D523,187 S *	6/2006	Bazar	D30/152
D526,442 S *	8/2006	Kim	D28/41
D527,497 S *	8/2006	Grimes	D30/160
D534,333 S *	1/2007	Jones	D2/606
D535,055 S *	1/2007	Been	D2/606
D551,440 S *	9/2007	Stewart	D3/203.3
D621,103 S *	8/2010	Kim	D30/160
D622,142 S *	8/2010	de France	D9/441
D709,780 S *	7/2014	Hogg	D10/104.1

(22) Filed: **Apr. 11, 2020**

(51) **LOC (13) Cl.** **30-99**

(52) **U.S. Cl.**

USPC **D30/199; D10/104.1**

(58) **Field of Classification Search**

USPC D30/199, 152, 144, 151, 155;
D10/104.1, 104.2, 106.1, 106.3, 106.2;
119/856, 859, 720, 721, 719, 718, 712,
119/653, 654, 760-765, 792, 793, 822,
119/855, 858, 860-863, 772, 776, 795;
340/573.3, 573.1, 384.2, 825.76, 538.16,
340/539.1, 539.11, 539.14, 539.15,
340/539.16, 539.17, 539.18, 539.19,
340/572.7, 572.8, 572.9, 573.2, 573.4;
D13/103, 168, 162-164; 42/90;
D14/137, 496, 218, 159, 217, 188, 225,
D14/205, 155, 174, 388, 511; D21/566,
D21/333, 516; 715/738; 434/350;
600/323; 348/211.99, 14.05, 114, 734;
341/175-176; 455/575.1; 343/788, 718,
343/728, 895

CPC A01K 15/021; A01K 15/02; A01K 15/022;
A01K 15/023; A01K 15/029; A01K
15/04; A01K 15/00; A01K 15/006; A01K
12/022; A01K 27/009; A01K 27/00;
A01K 27/001; A01K 27/006-008; A01K
29/005; A01K 29/00; H05K 5/03; H04B
10/00; H01H 9/02; G09G 5/00; G09D
1/10; G08C 23/04; G08C 19/12; G08C
19/00; H04N 5/44; H04N 5/445; H04N

(Continued)

Primary Examiner — Susan Moon Lee

(74) *Attorney, Agent, or Firm* — Law Offices of Steven W. Weinrieb

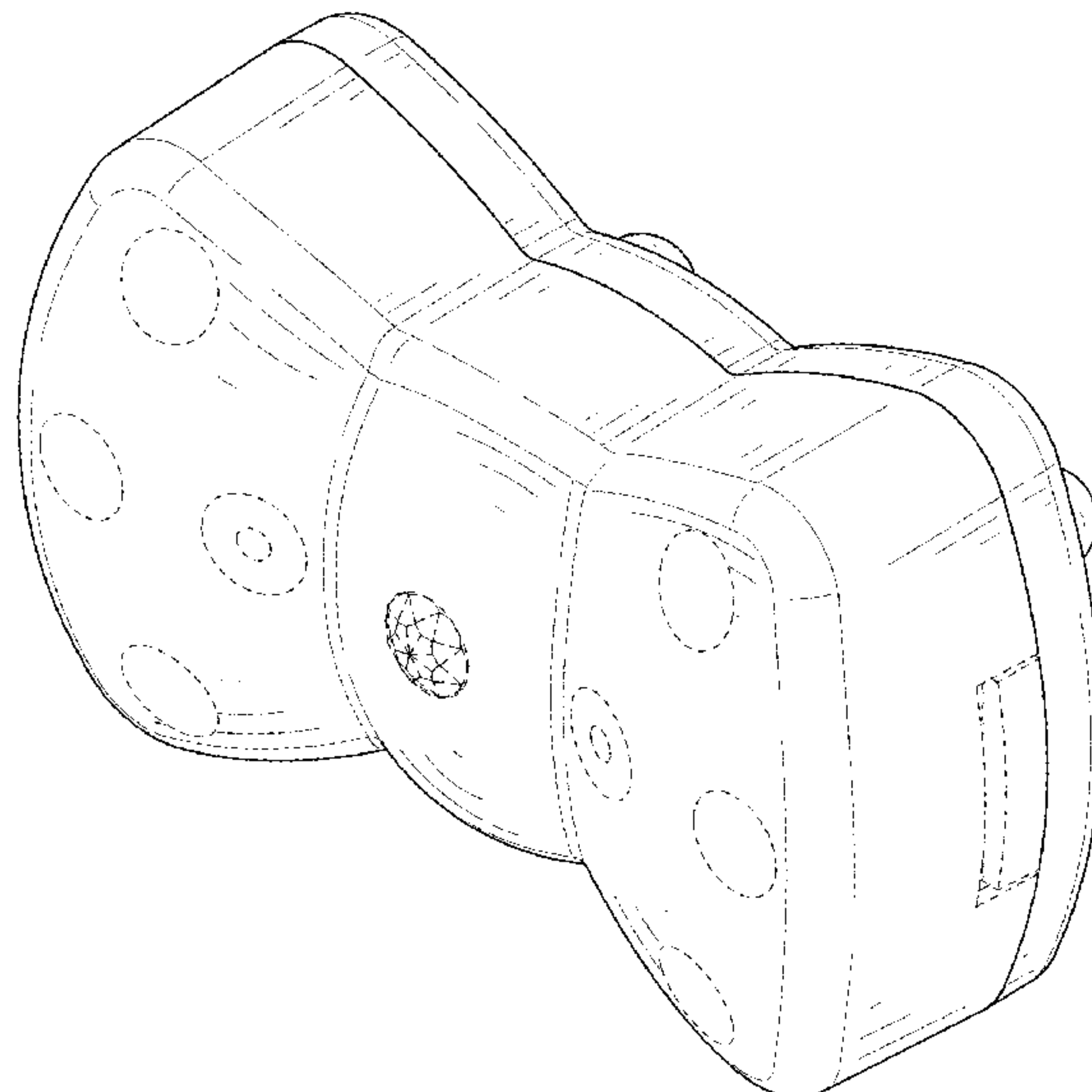
(57) **CLAIM**

The ornamental design for a bark controller, as shown and described.

DESCRIPTION

FIG. 1 is a front, right side, top perspective view of a bark controller showing my new design;
FIG. 2 is a rear, left side, bottom perspective view thereof;
FIG. 3 is a front elevational view thereof;
FIG. 4 is a rear elevational view thereof;
FIG. 5 is a left side elevational view thereof;
FIG. 6 is a right side elevational view thereof;
FIG. 7 is a top plan view thereof; and,
FIG. 8 is a bottom plan view thereof.
The broken lines depict portions of the bark controller that form no part of the claimed design.

1 Claim, 8 Drawing Sheets



(56)

References Cited

U.S. PATENT DOCUMENTS

D711,747 S *	8/2014	Lloyd	D9/451
D715,746 S *	10/2014	Schmelling	D13/174
D727,164 S *	4/2015	Staab	D9/635
D740,500 S *	10/2015	Wickens	D30/160
D759,315 S *	6/2016	Mather	D28/87
D788,997 S *	6/2017	Fore	D30/145
D793,262 S *	8/2017	Geskin Zinovi	D10/104.1
D798,003 S *	9/2017	Dong	D30/199
D805,419 S *	12/2017	McGraw	D11/30
D811,016 S *	2/2018	Liu	D30/152
D820,684 S *	6/2018	Egner	D9/635
D822,921 S *	7/2018	Wen	D30/199
D836,261 S *	12/2018	Ni	D30/199
D842,162 S *	3/2019	Page	D11/35
D857,515 S *	8/2019	Miller	D9/635
D873,132 S *	1/2020	Grill	D9/426
D884,994 S *	5/2020	Ni	D30/199

* cited by examiner

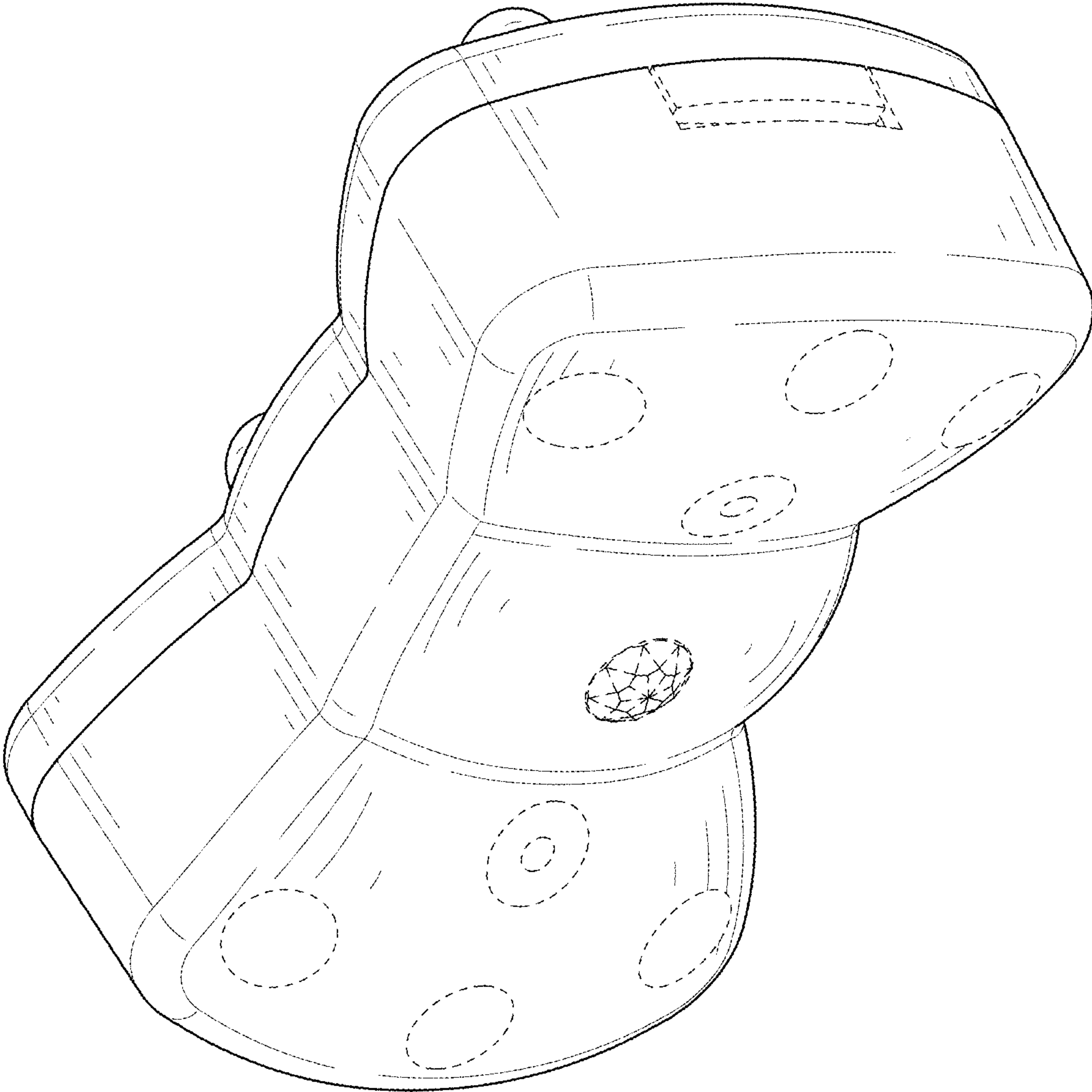


FIG. 1

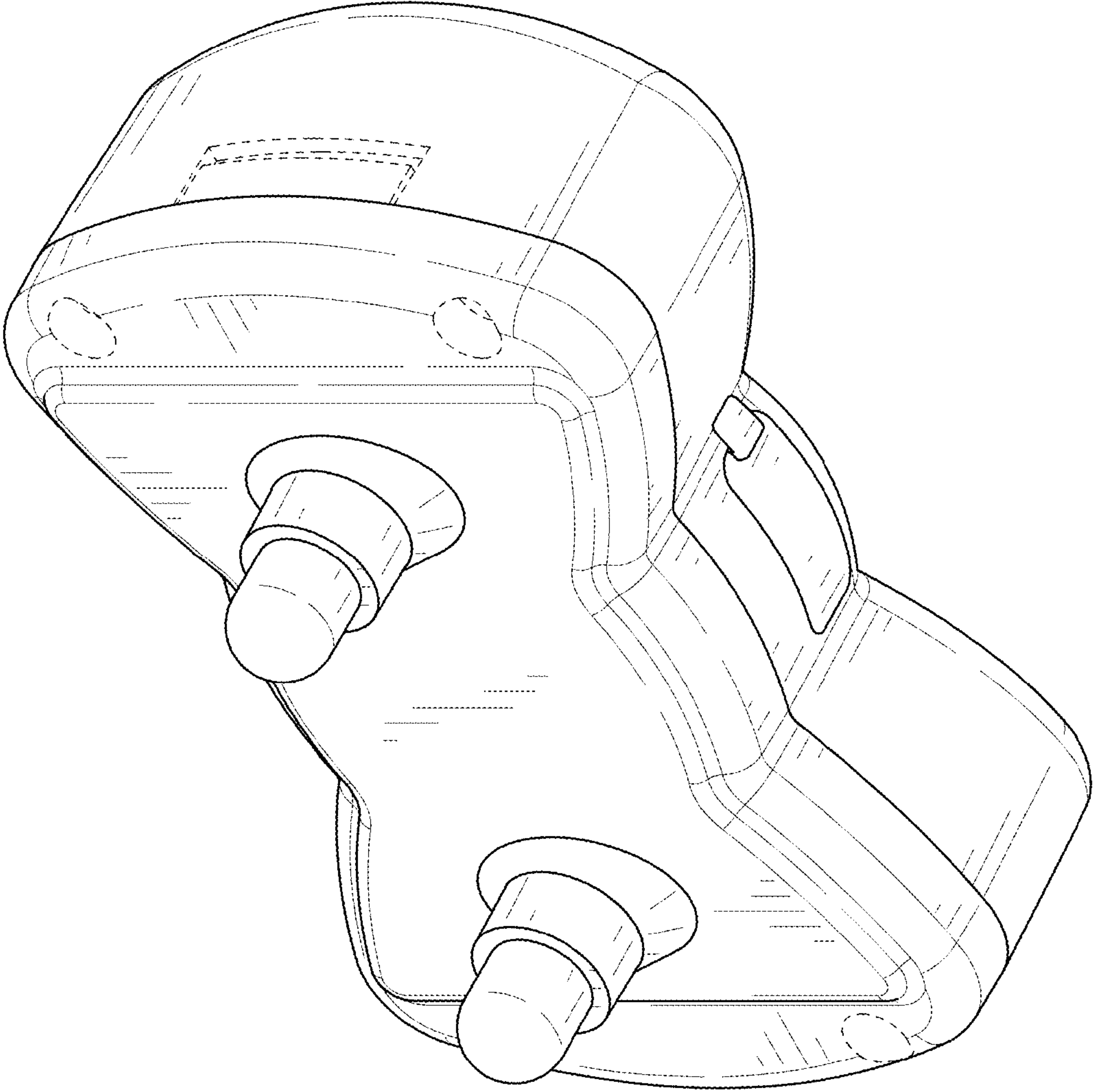


FIG. 2

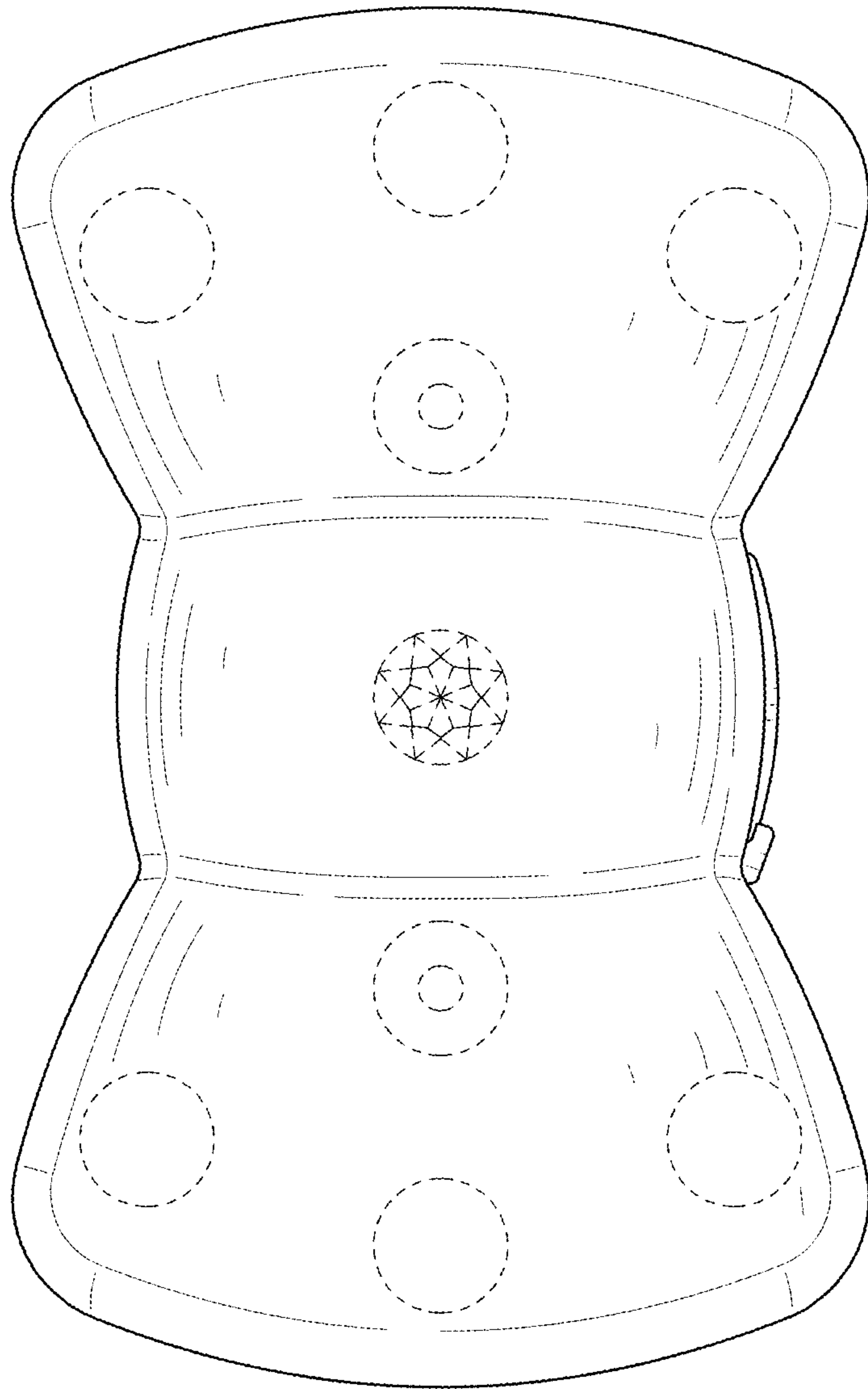


FIG. 3

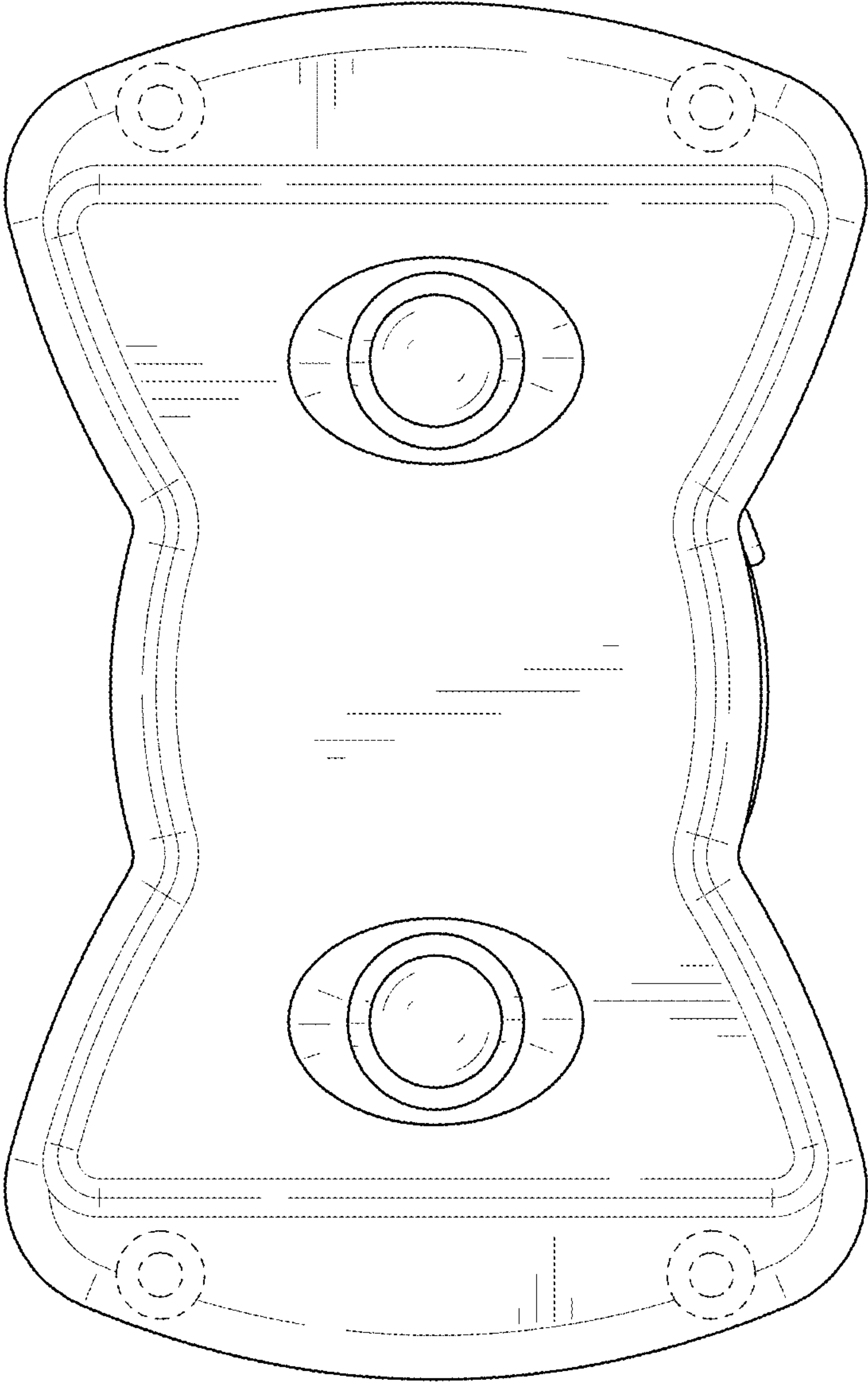


FIG. 4

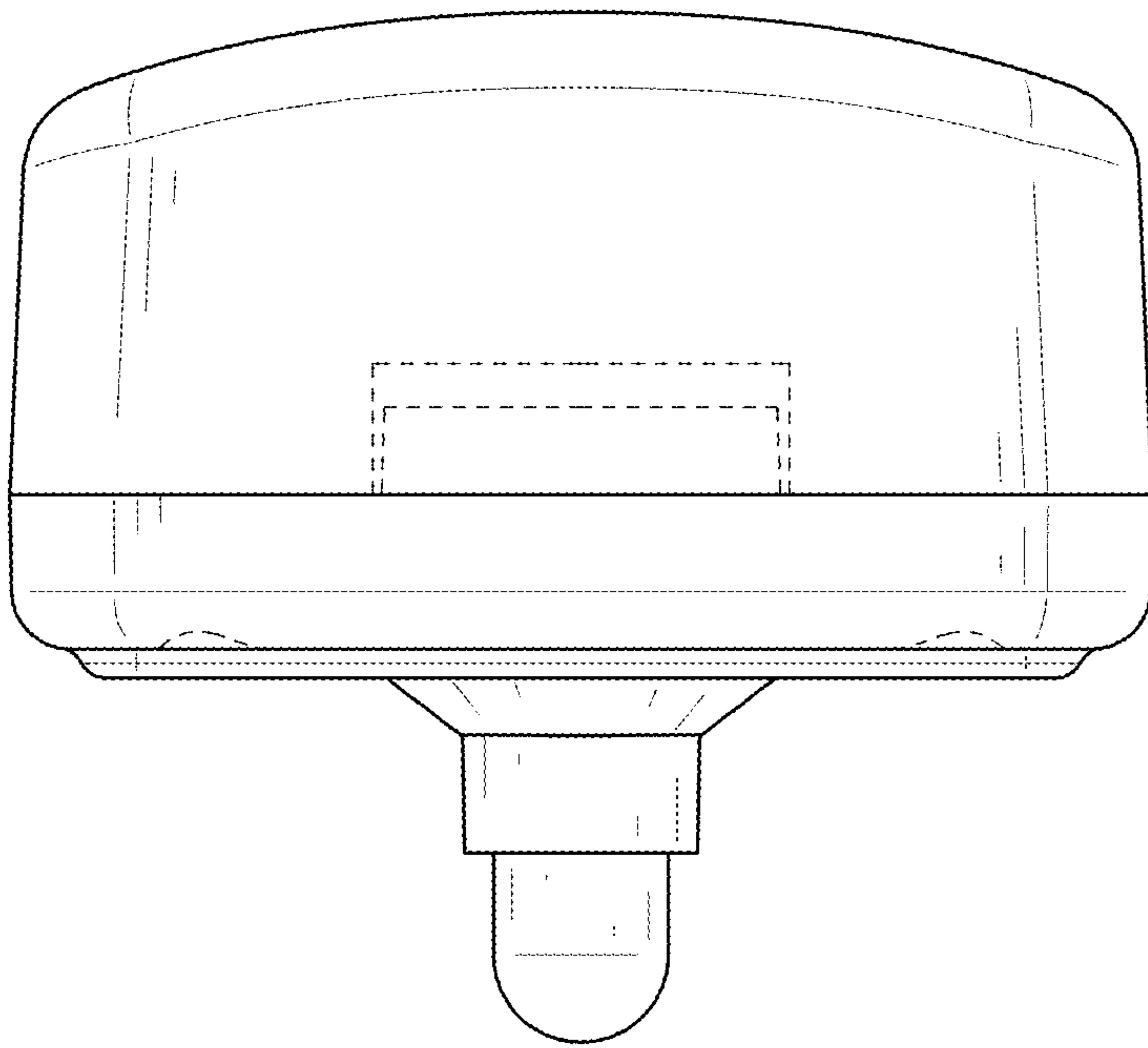


FIG. 5

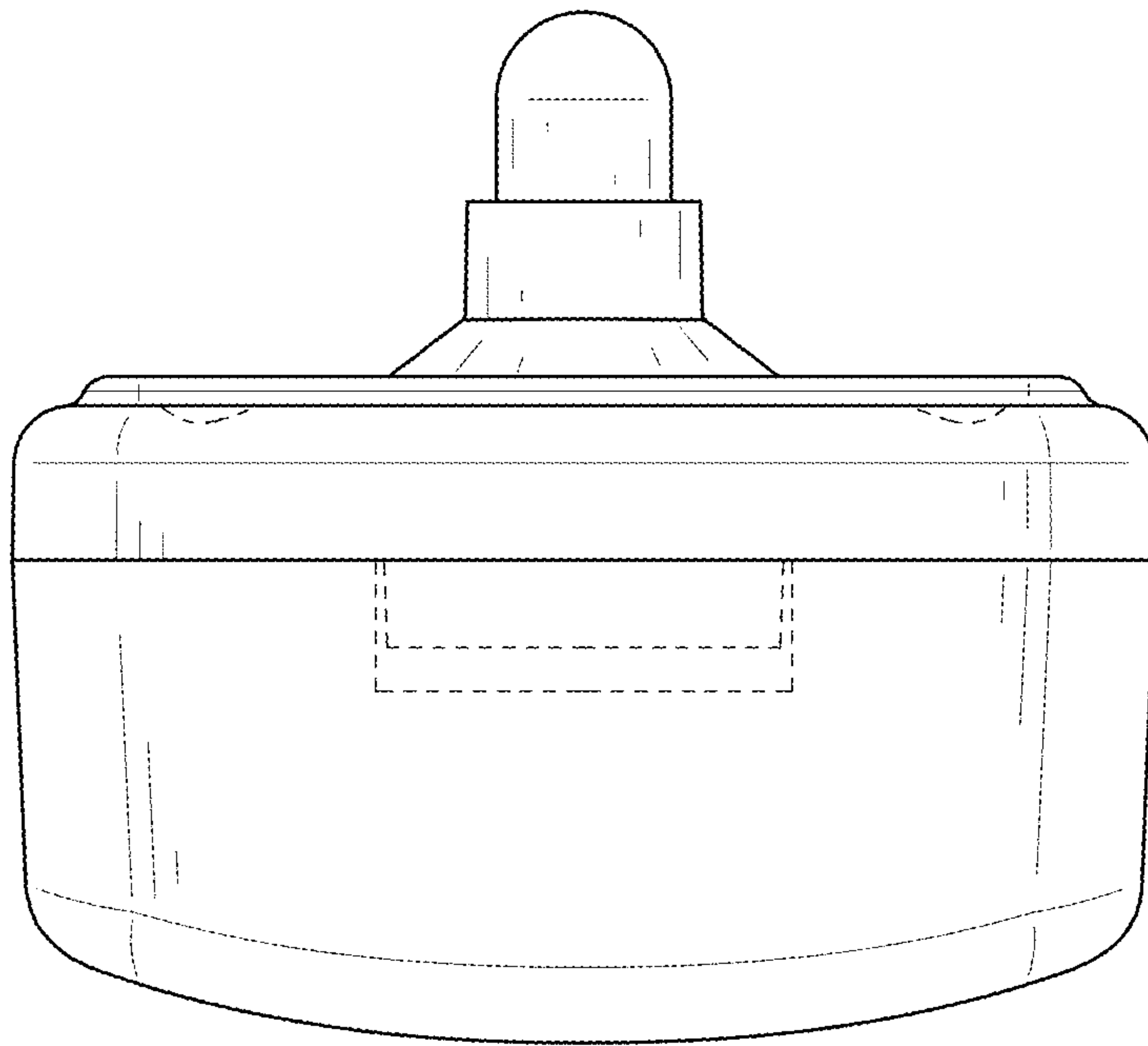


FIG. 6

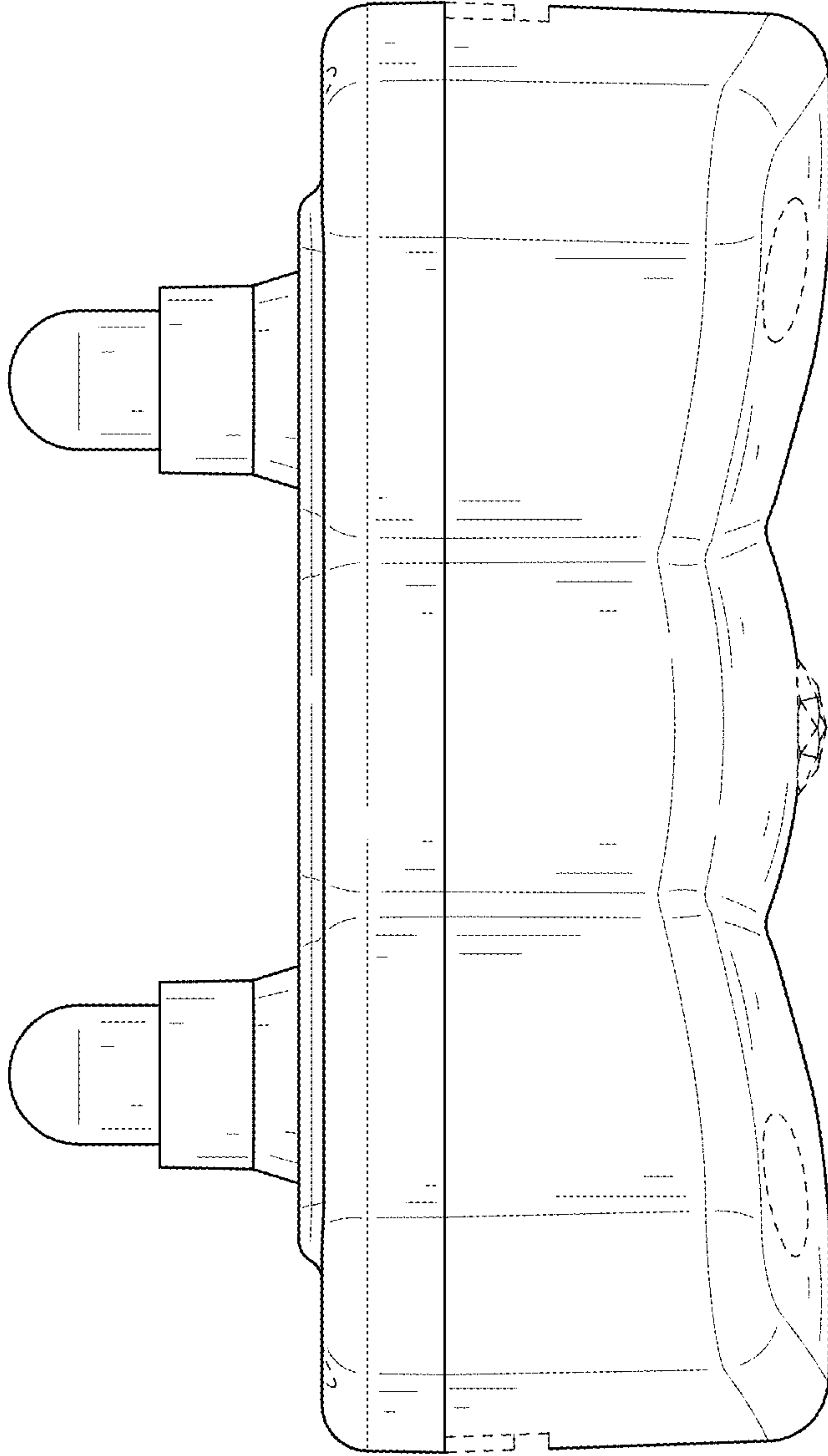


FIG. 7

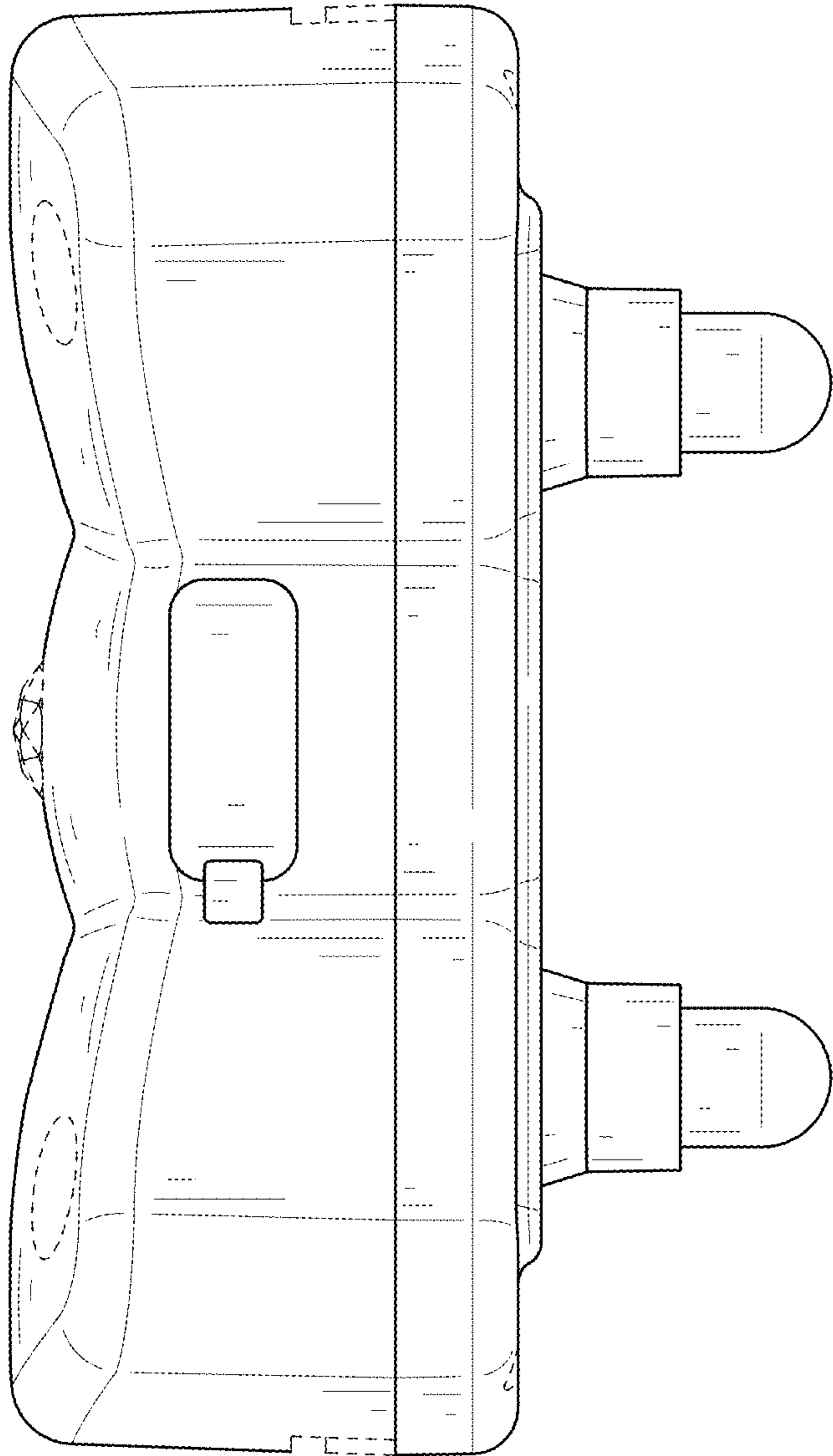


FIG. 8