



US00D912335S

(12) **United States Design Patent**
Wu

(10) **Patent No.:** **US D912,335 S**
(45) **Date of Patent:** **** Mar. 2, 2021**

- (54) **PET GROOMING DRYER**
- (71) Applicant: **Zijian Wu**, Shenzhen (CN)
- (72) Inventor: **Zijian Wu**, Shenzhen (CN)
- (73) Assignee: **Zijian Wu**, Shenzhen (CN)
- (**) Term: **15 Years**
- (21) Appl. No.: **29/759,981**
- (22) Filed: **Nov. 27, 2020**

20/00; A45D 20/10; A45D 20/12; A45D
20/122; A45D 20/48; A45D 20/50; A45D
20/52; A45D 20/525

See application file for complete search history.

Related U.S. Application Data

- (62) Division of application No. 29/738,321, filed on Jun. 17, 2020, now Pat. No. Des. 908,292.
- (51) **LOC (13) Cl.** **30-99**
- (52) **U.S. Cl.**
USPC **D30/158; D30/159**
- (58) **Field of Classification Search**
USPC D30/158, 159, 199; 15/104.002, 230.11, 15/104.94, 104.8, 23, 231, 169, 184, 114, 15/DIG. 14, 186-188, 329, 337, 338, 15/415.1, 416-422, 422.1, 93.1, 246.2, 15/322, 350-354, 361-363, 366, 378, 15/400, 401, 414, 412, 344, 402; 132/119-119.1, 212, 271, 112; 206/15.2-15.3, 361, 362.3, 470; 242/571.4; D28/25, 23, 30, 59, 21; D4/124-125, 117, 116, 121-123, 102, D4/199, 137, 131; D32/31-33, 25, 17; 119/600, 606, 608-612, 625, 628, 633, 119/650, 677; 34/92, 96, 97; 401/289
CPC A01K 13/00-002; A47L 9/00; A47L 9/04; A47L 9/0072; A47L 9/0081; A47L 7/00; A47L 7/0066; A47L 7/0085; A47L 7/009; A47L 7/02; A45D 2/00; A45D 2/002; A45D 2/36; A45D 2/367; A45D 2002/003; A45D 24/00; A45D 24/007; A45D 24/32; A45D 2024/002; A45D

(56) **References Cited**

U.S. PATENT DOCUMENTS

D272,568 S *	2/1984	Kuhl	D30/158
5,768,748 A *	6/1998	Silvera	A01K 13/001 119/602
D401,023 S *	11/1998	Sebor	D32/33
7,124,712 B2 *	10/2006	Berman	A01K 13/002 119/628
7,159,274 B2 *	1/2007	Freidell	A01K 13/002 15/339
D621,567 S *	8/2010	Crawley	D32/33
D670,454 S *	11/2012	Sherk, Jr.	D30/158
D688,425 S *	8/2013	Fernandez	D30/158
D782,132 S *	3/2017	Cathaud	D30/158

(Continued)

Primary Examiner — Susan Moon Lee

(74) *Attorney, Agent, or Firm* — Andrew C. Cheng

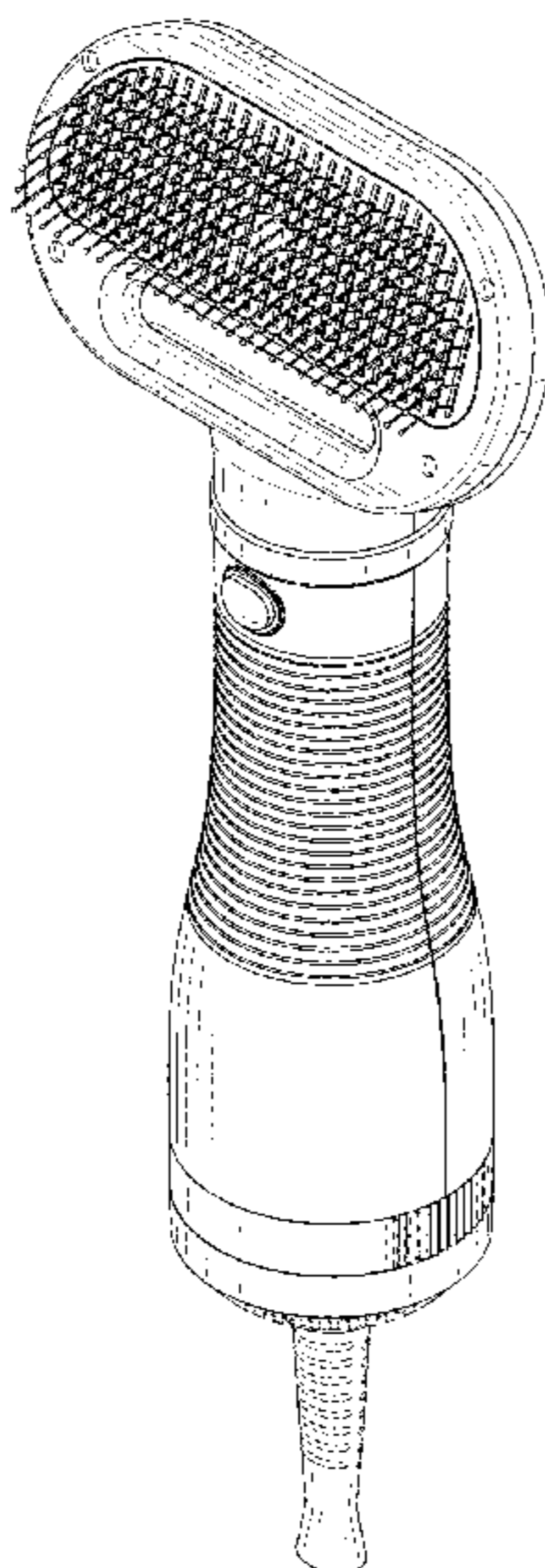
(57) **CLAIM**

I claim the ornamental design for a pet grooming dryer, as shown and described.

DESCRIPTION

FIG. 1 is a first perspective view of a pet grooming dryer showing my new design;
 FIG. 2 is a second perspective view thereof;
 FIG. 3 is a front elevational view thereof;
 FIG. 4 is a rear elevational view thereof;
 FIG. 5 is a left elevational view thereof;
 FIG. 6 is a right elevational view thereof;
 FIG. 7 is a top plan view thereof; and,
 FIG. 8 is a bottom plan view thereof.
 The broken line showing of the environment is for illustrative purposes only and forms no part of the claimed design.

1 Claim, 8 Drawing Sheets



(56)

References Cited

U.S. PATENT DOCUMENTS

D796,761 S * 9/2017 Larouche D32/33
D801,598 S * 10/2017 Urso D30/158
D806,969 S * 1/2018 Larouche D32/33
D866,092 S * 11/2019 Liang D30/158
2009/0293225 A1* 12/2009 Freidell A47L 9/06
15/402
2010/0071713 A1* 3/2010 Simon A01K 13/003
132/115
2010/0307426 A1* 12/2010 Bertsch A01K 13/002
119/601
2011/0297101 A1* 12/2011 Fernandez A01K 13/002
119/603
2017/0265431 A1* 9/2017 Urso B25G 1/102

* cited by examiner

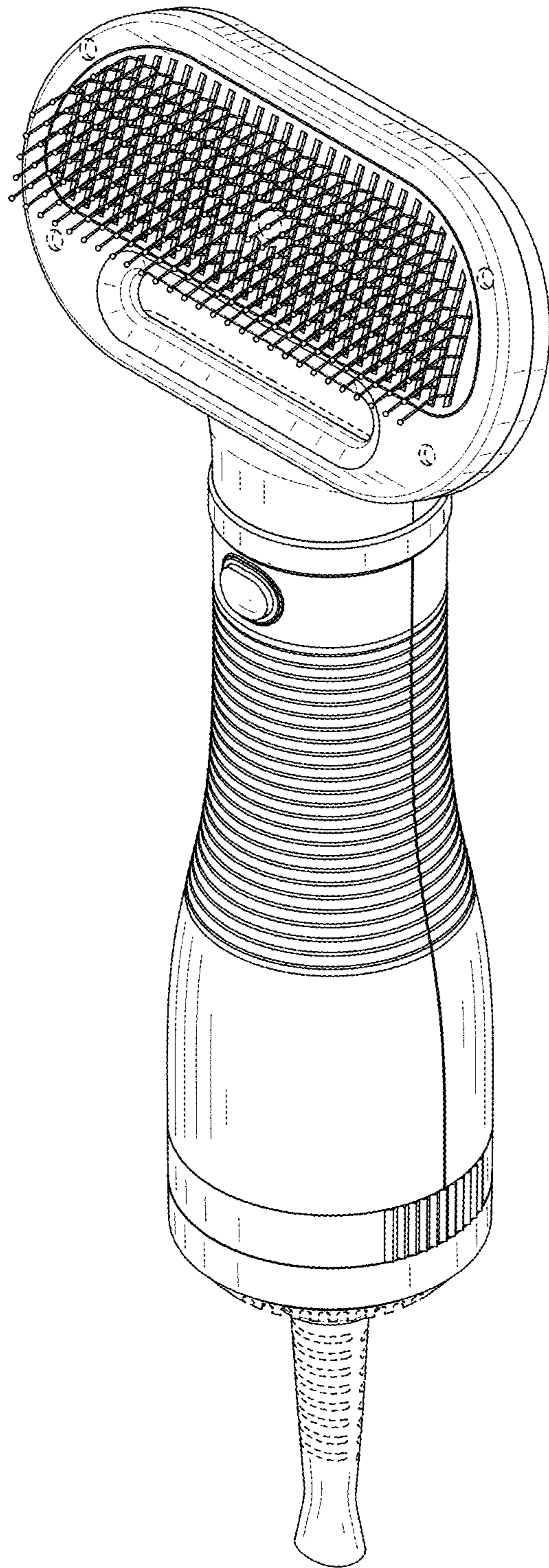


FIG. 1

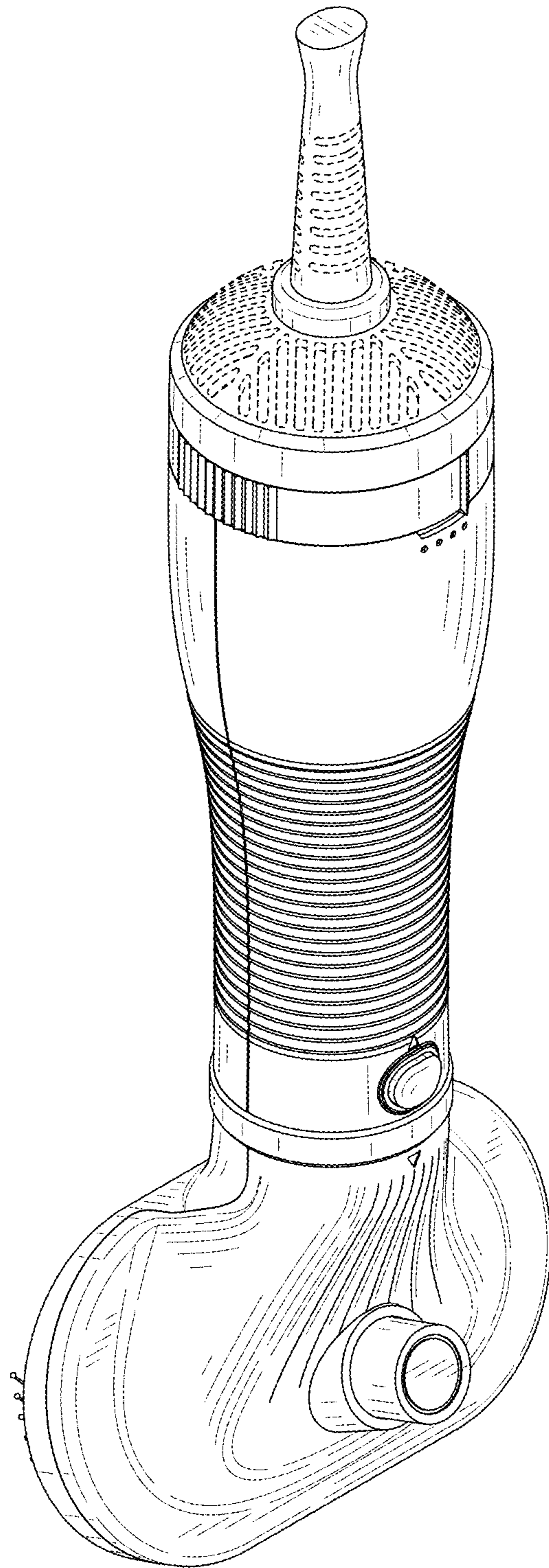


FIG. 2

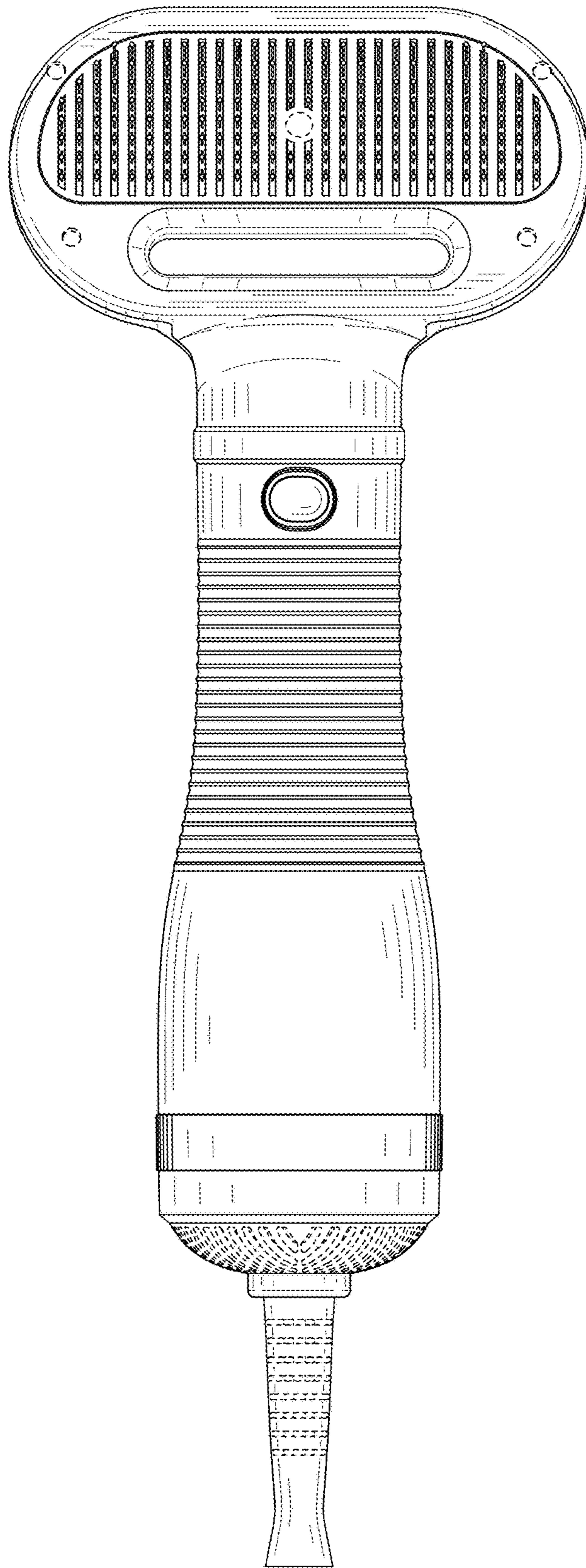


FIG. 3

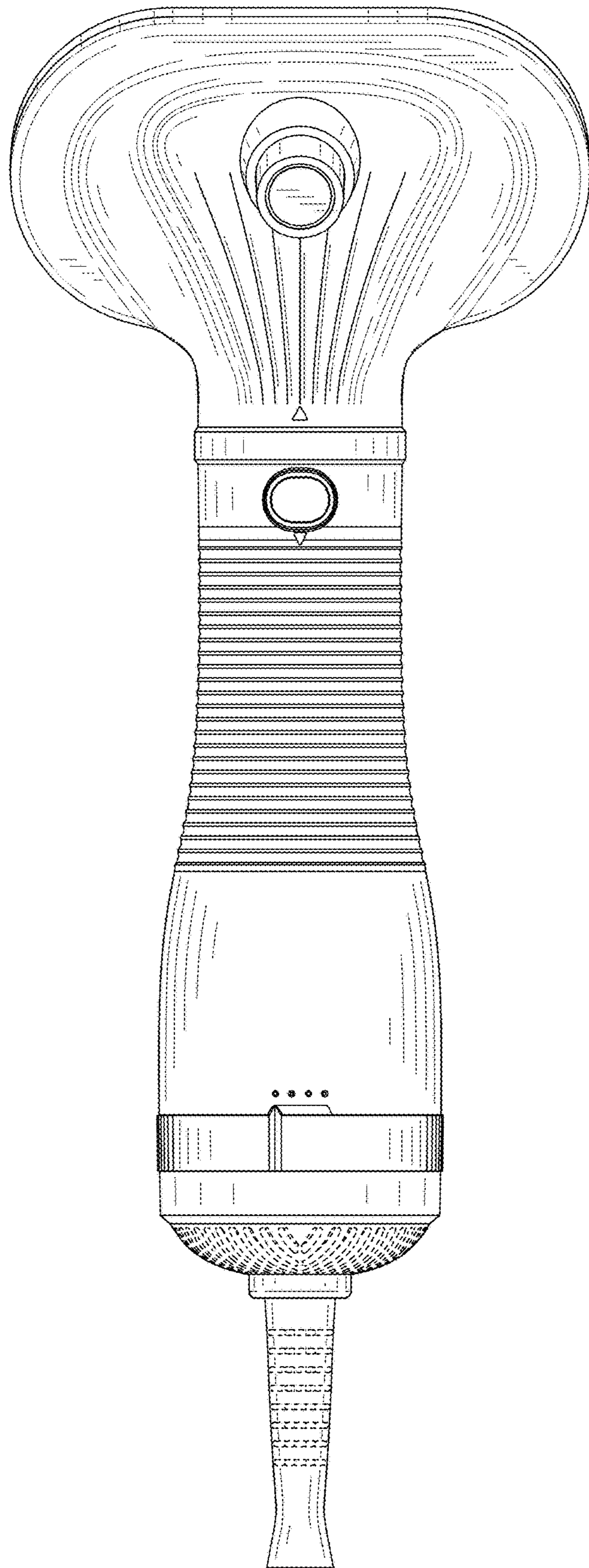


FIG. 4

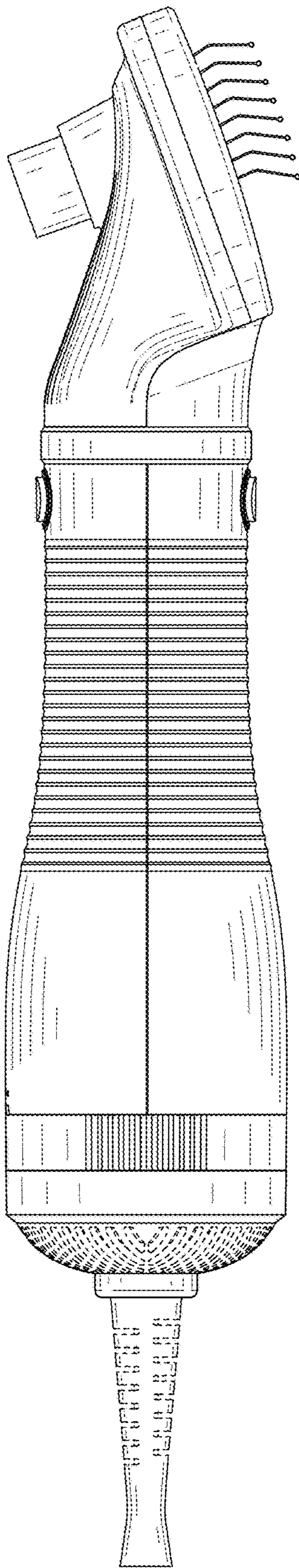


FIG. 5

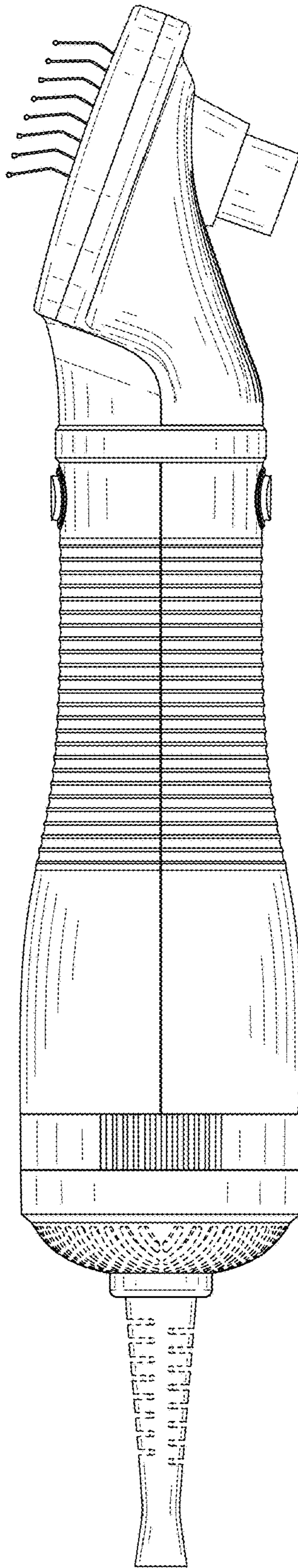


FIG. 6

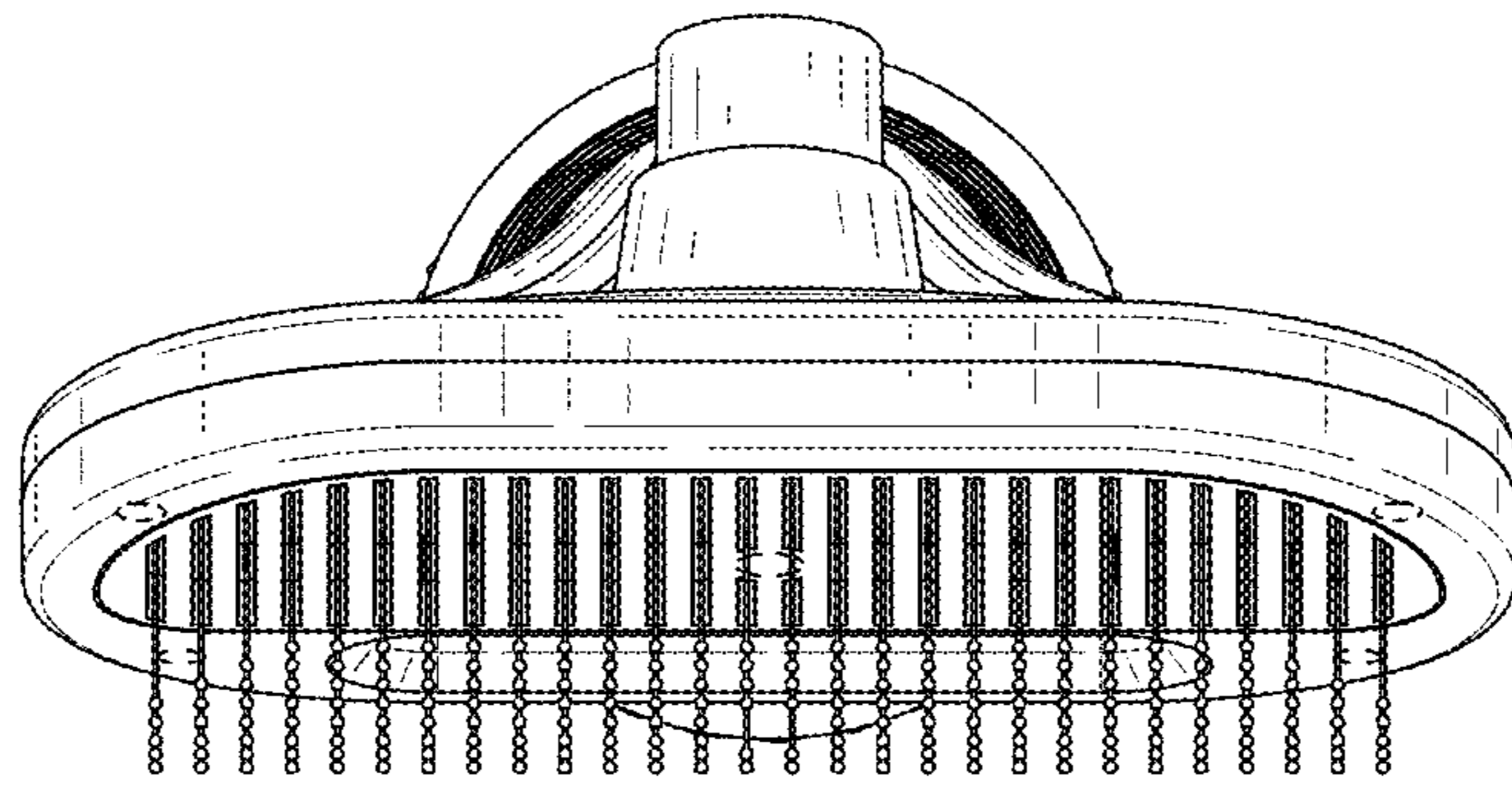


FIG. 7

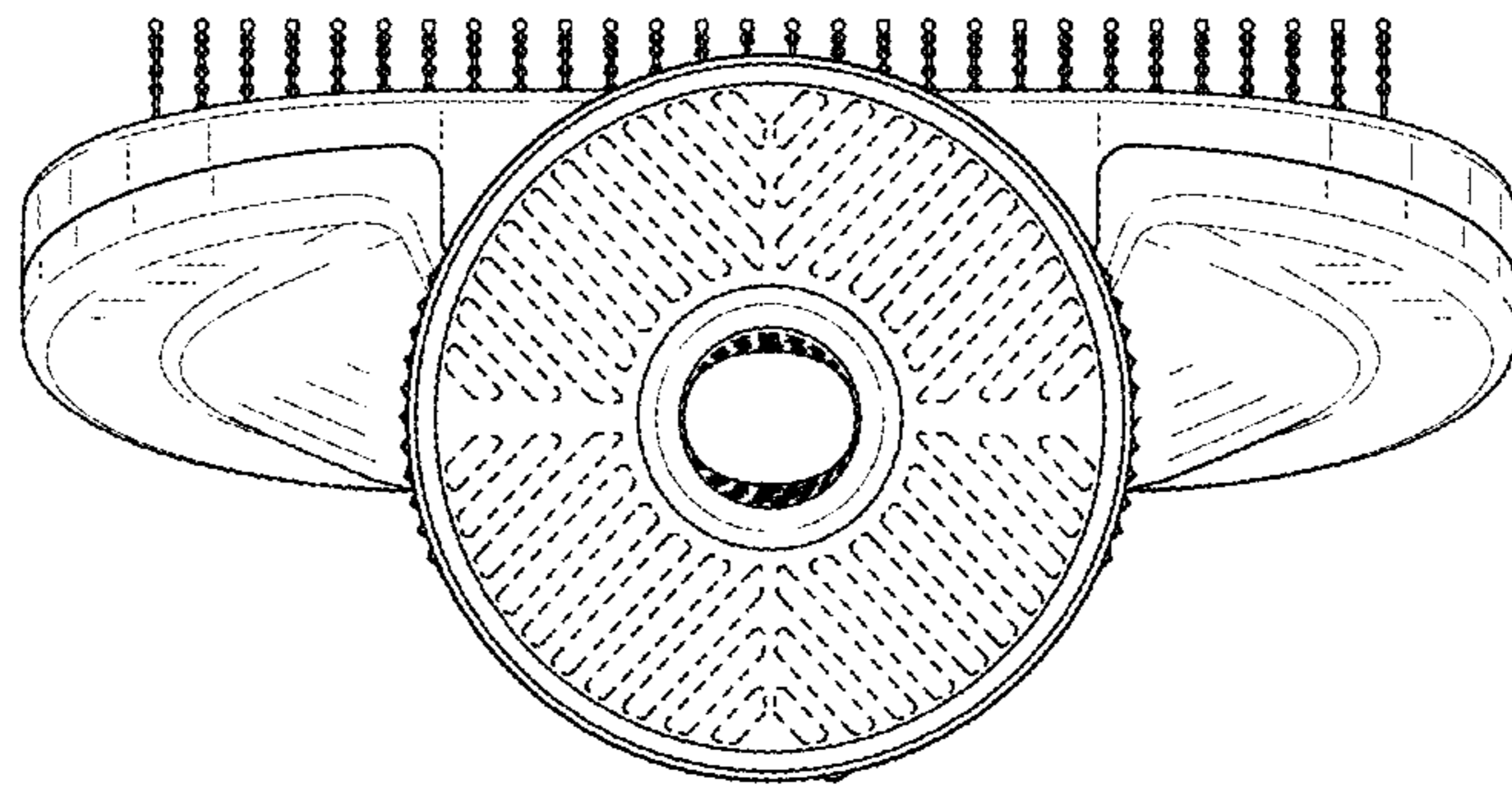


FIG. 8