



US00D912333S

(12) **United States Design Patent**  
**Wang**

(10) **Patent No.:** **US D912,333 S**  
(45) **Date of Patent:** **\*\* Mar. 2, 2021**

(54) **PET FOUNTAIN**

(71) Applicant: **Xuzhong Wang**, Shenzhen (CN)  
(72) Inventor: **Xuzhong Wang**, Shenzhen (CN)  
(73) Assignee: **Shenzhen Buxiang Network Technology Co., Ltd.**, Shenzhen (CN)

(\*\*) Term: **15 Years**

(21) Appl. No.: **29/702,452**

(22) Filed: **Aug. 20, 2019**

(51) **LOC (13) Cl.** ..... **30-03**

(52) **U.S. Cl.**  
USPC ..... **D30/132**

(58) **Field of Classification Search**  
USPC ..... D30/121, 122, 129, 130, 132, 133, 199;  
119/51.01, 51.02, 51.11, 51.5, 57.92,  
119/61.5, 61.52, 61.54, 61.55, 61.56, 72,  
119/74, 75, 78, 79, 80, 81  
CPC .. A01K 5/0114; A01K 5/0121; A01K 5/0135;  
A01K 7/005; A01K 39/02; A01K 39/04;  
A01K 39/0213; A01K 5/00  
See application file for complete search history.

(56) **References Cited**

**U.S. PATENT DOCUMENTS**

10,165,753 B1 \* 1/2019 Huang ..... A01K 7/02  
D849,336 S \* 5/2019 Huang ..... D30/132  
D849,337 S \* 5/2019 Huang ..... D30/132  
D850,731 S \* 6/2019 Wu ..... D30/132

**OTHER PUBLICATIONS**

“MOSPRO Pet Fountain Review” available Jul. 25, 2019, [online], [site visited Aug. 26, 2020]. Retrieved from Internet, URL:https://www.thesprucepets.com/mospro-pet-fountain-review-4705448 (Year: 2019).\*

\* cited by examiner

*Primary Examiner* — Michael C Stout  
*Assistant Examiner* — Katrina N Gonzalez

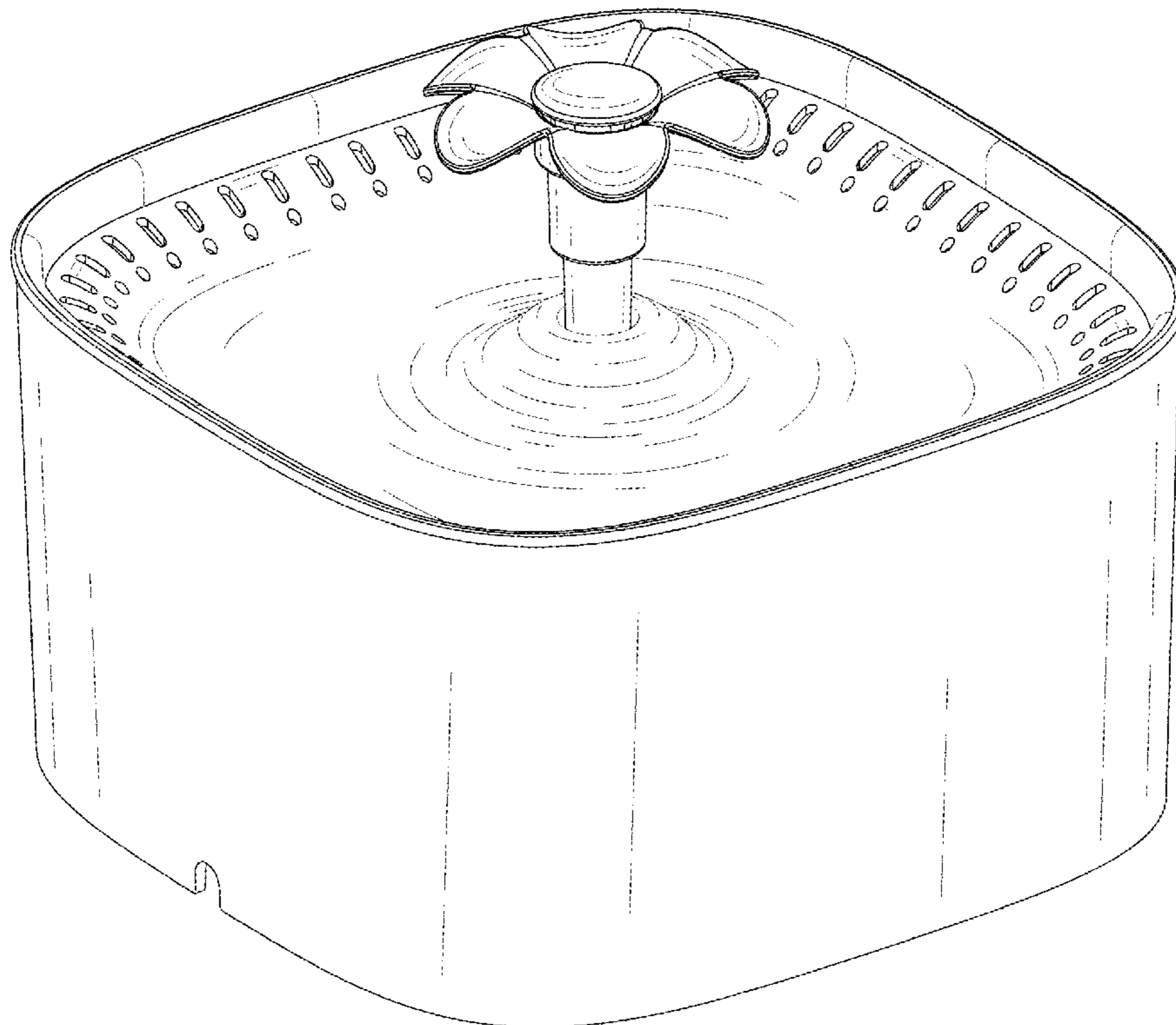
(57) **CLAIM**

The ornamental design for a pet fountain, as shown and described.

**DESCRIPTION**

FIG. 1 is a top perspective view of the pet fountain showing my new design;  
FIG. 2 is a bottom perspective view thereof;  
FIG. 3 is a front elevational view thereof;  
FIG. 4 is a rear elevational view thereof;  
FIG. 5 is a left side elevational view thereof;  
FIG. 6 is a right side elevational view thereof;  
FIG. 7 is a top plan view thereof; and,  
FIG. 8 is a bottom plan view thereof.  
The broken lines illustrate portions of the pet fountain that form no part of the claimed design.

**1 Claim, 8 Drawing Sheets**



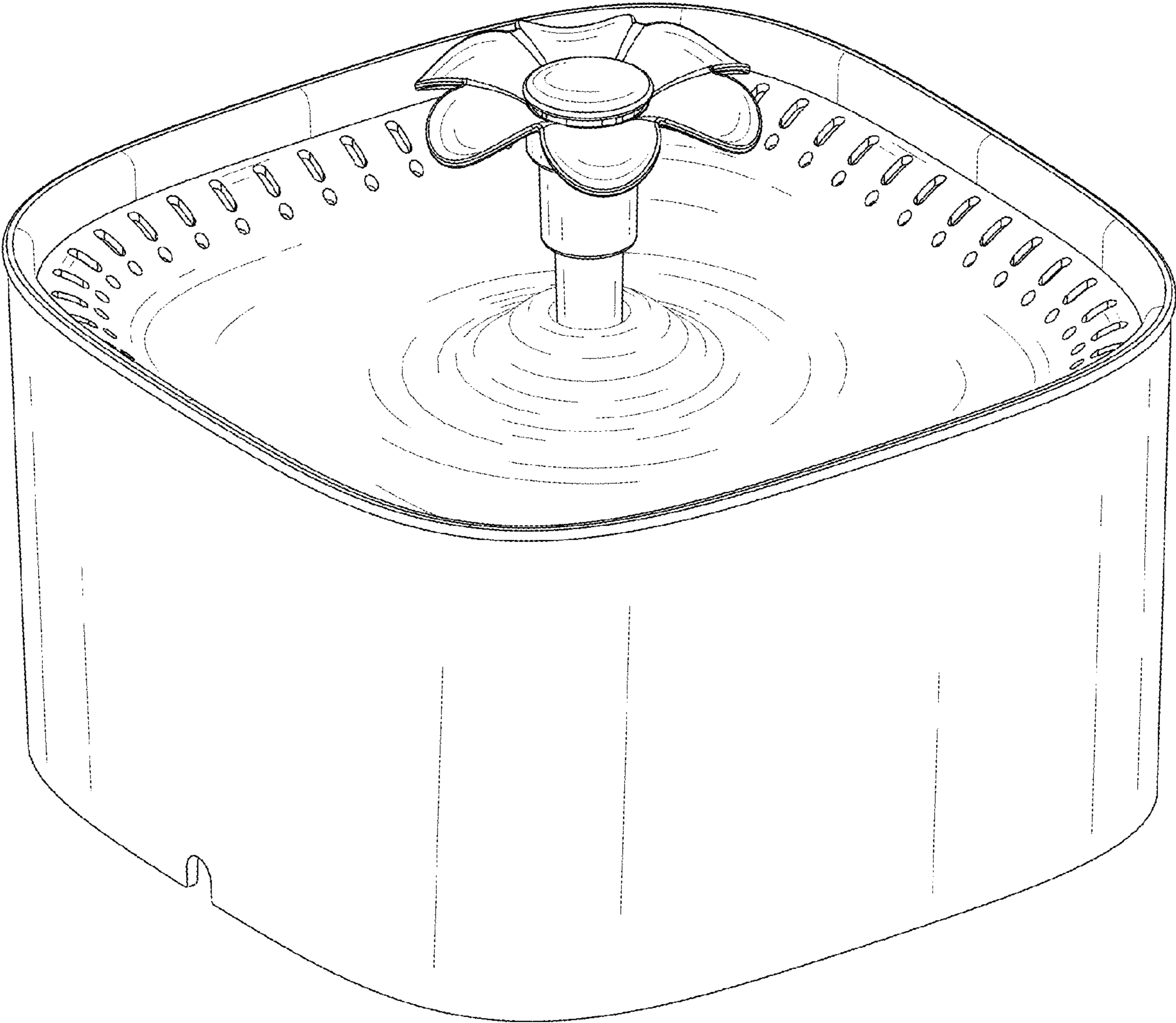


FIG.1

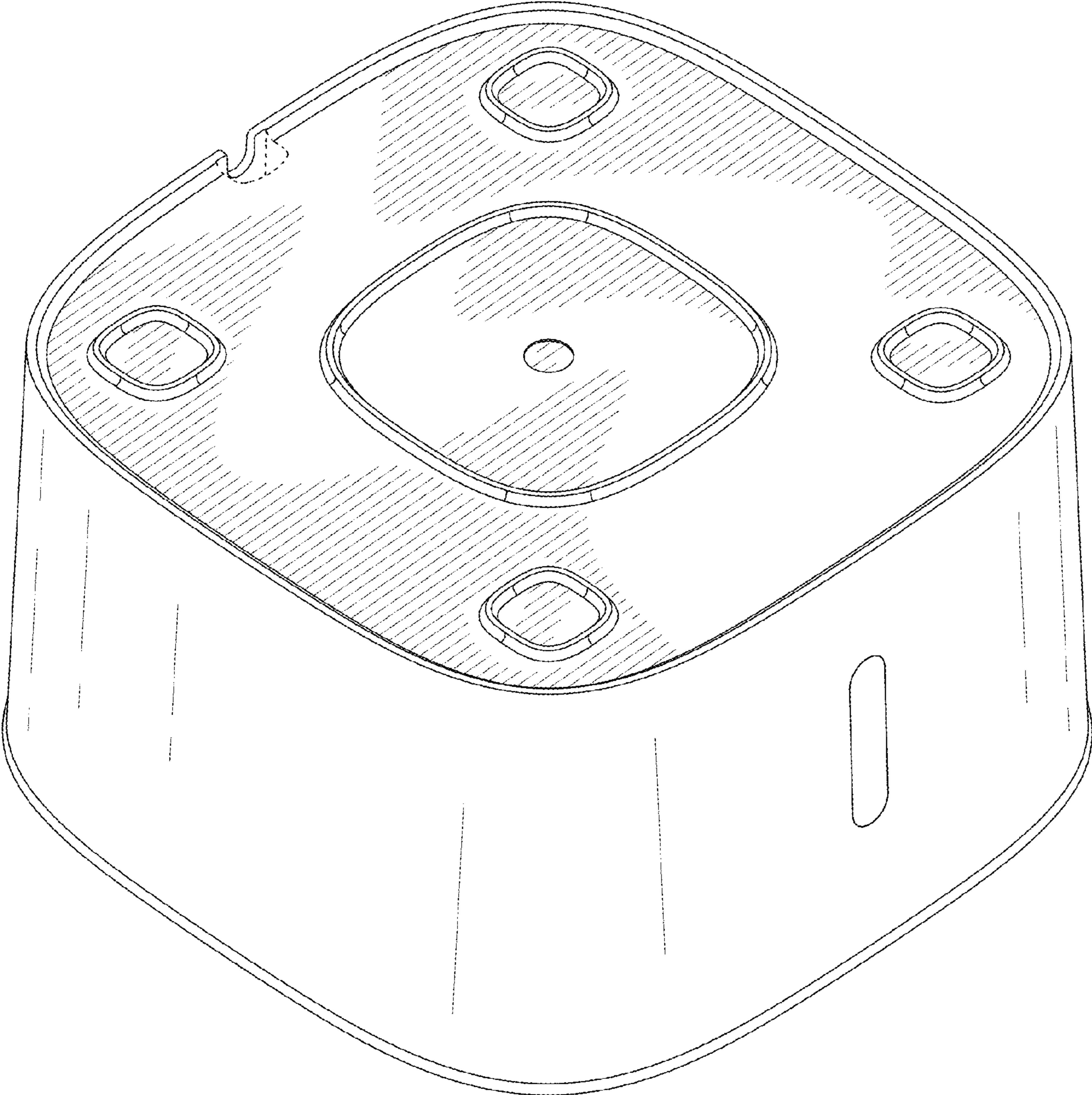


FIG.2

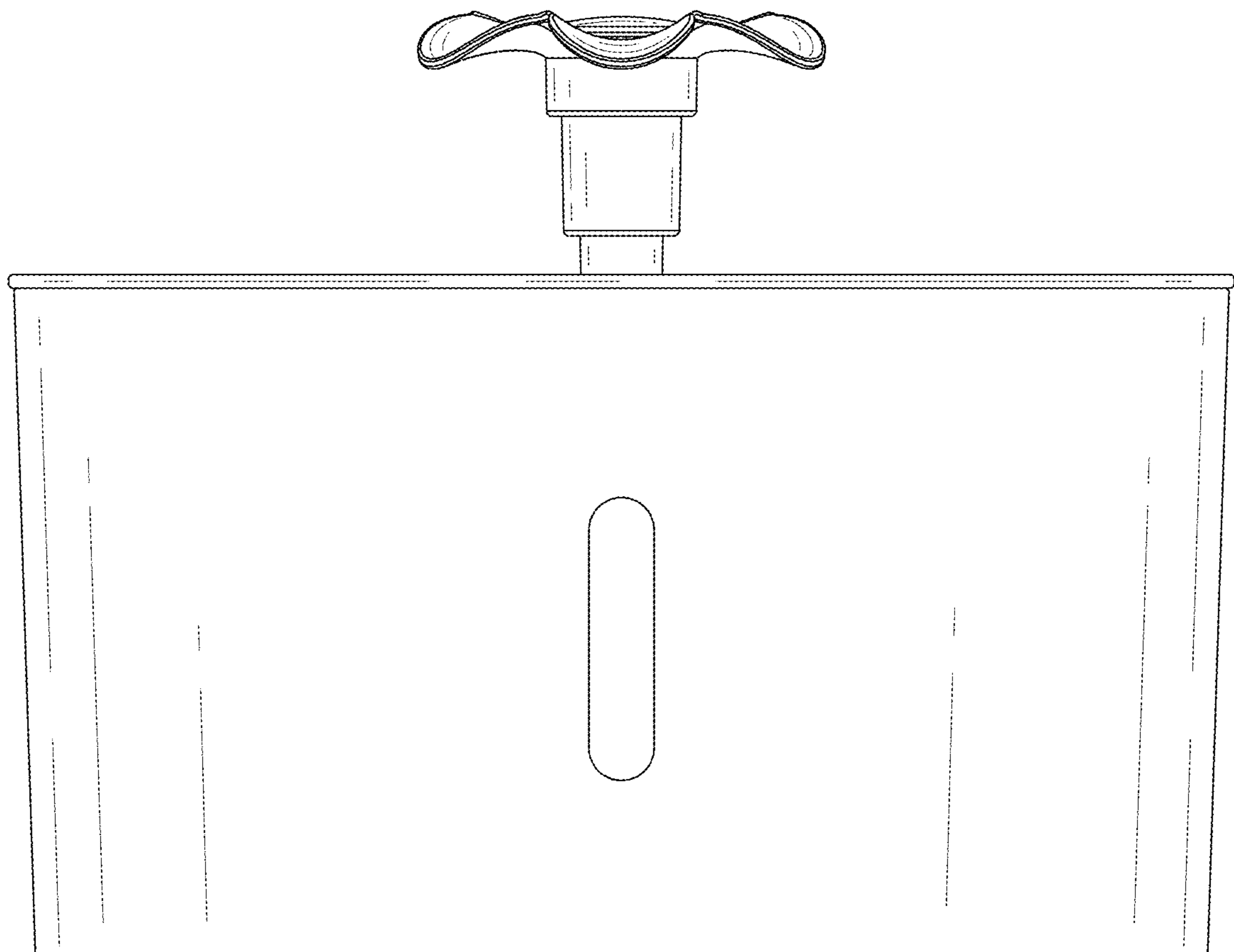


FIG.3



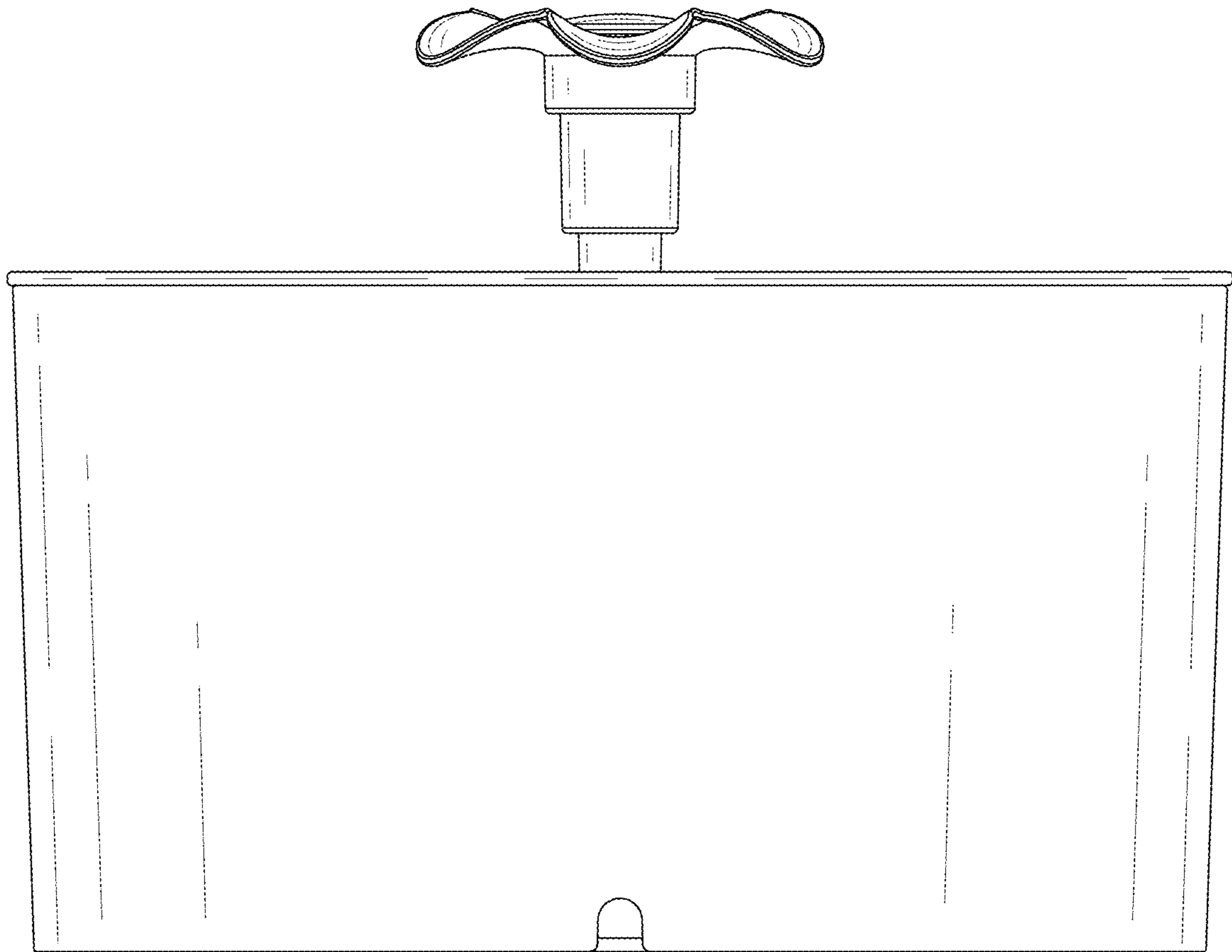


FIG.4

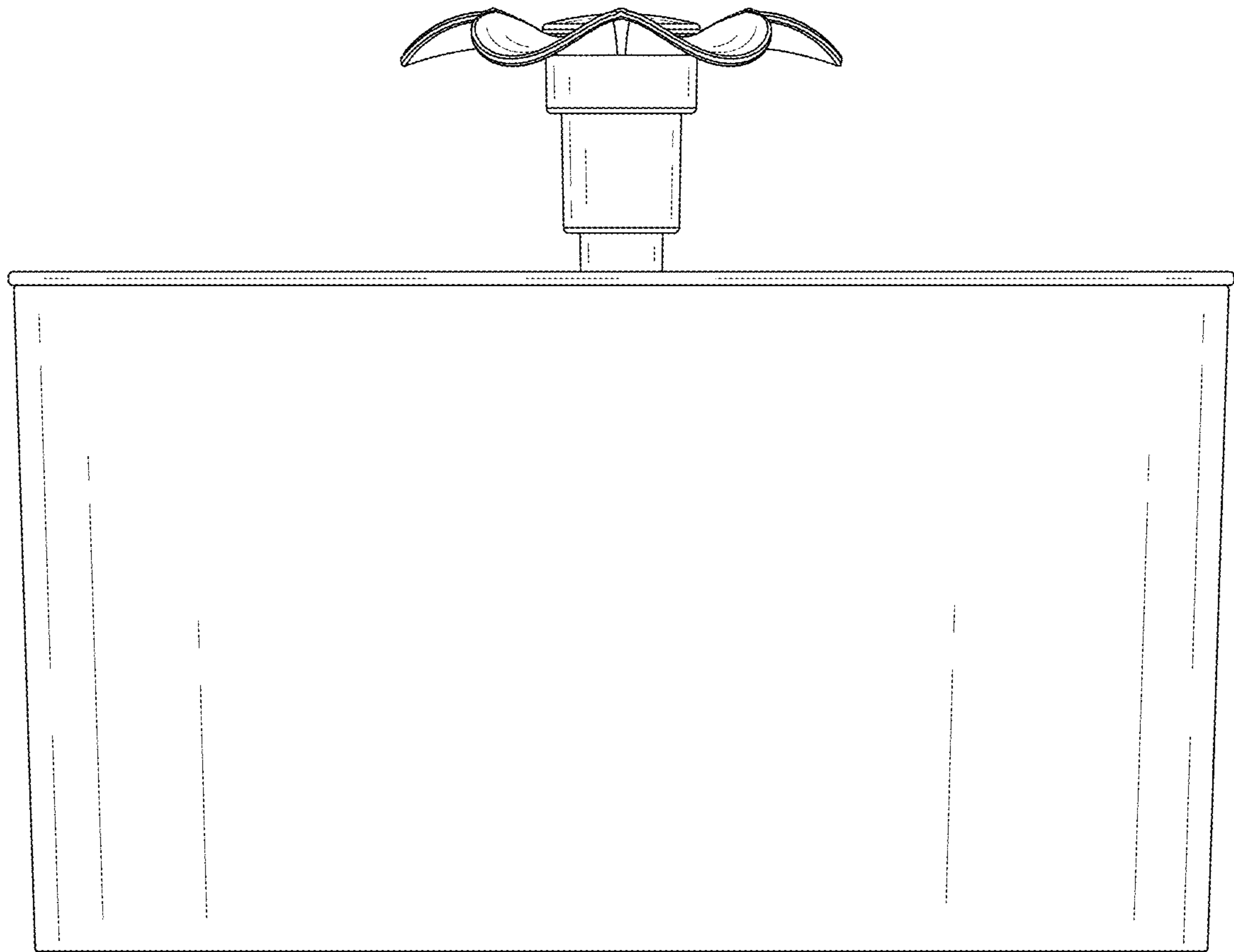


FIG.5

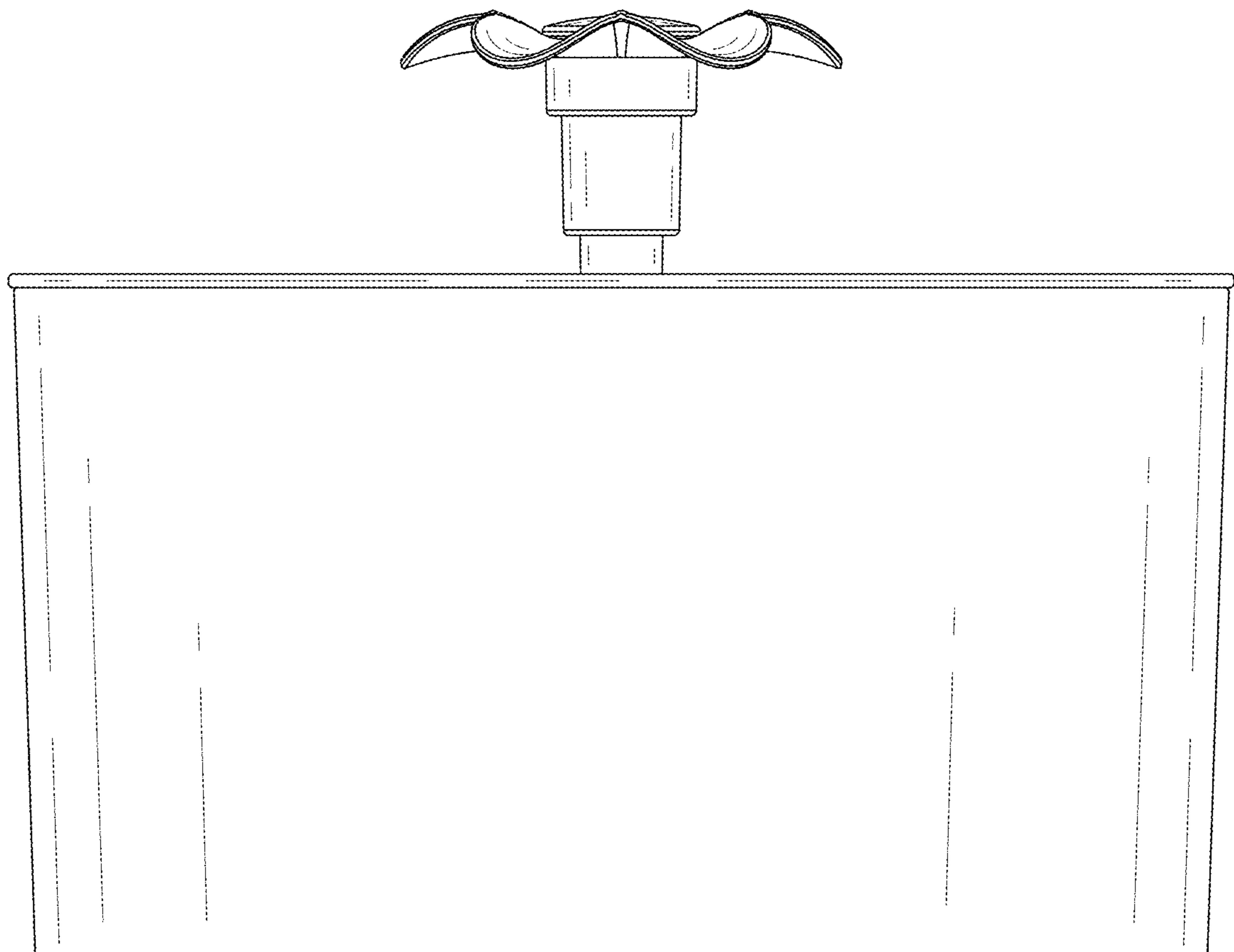


FIG.6

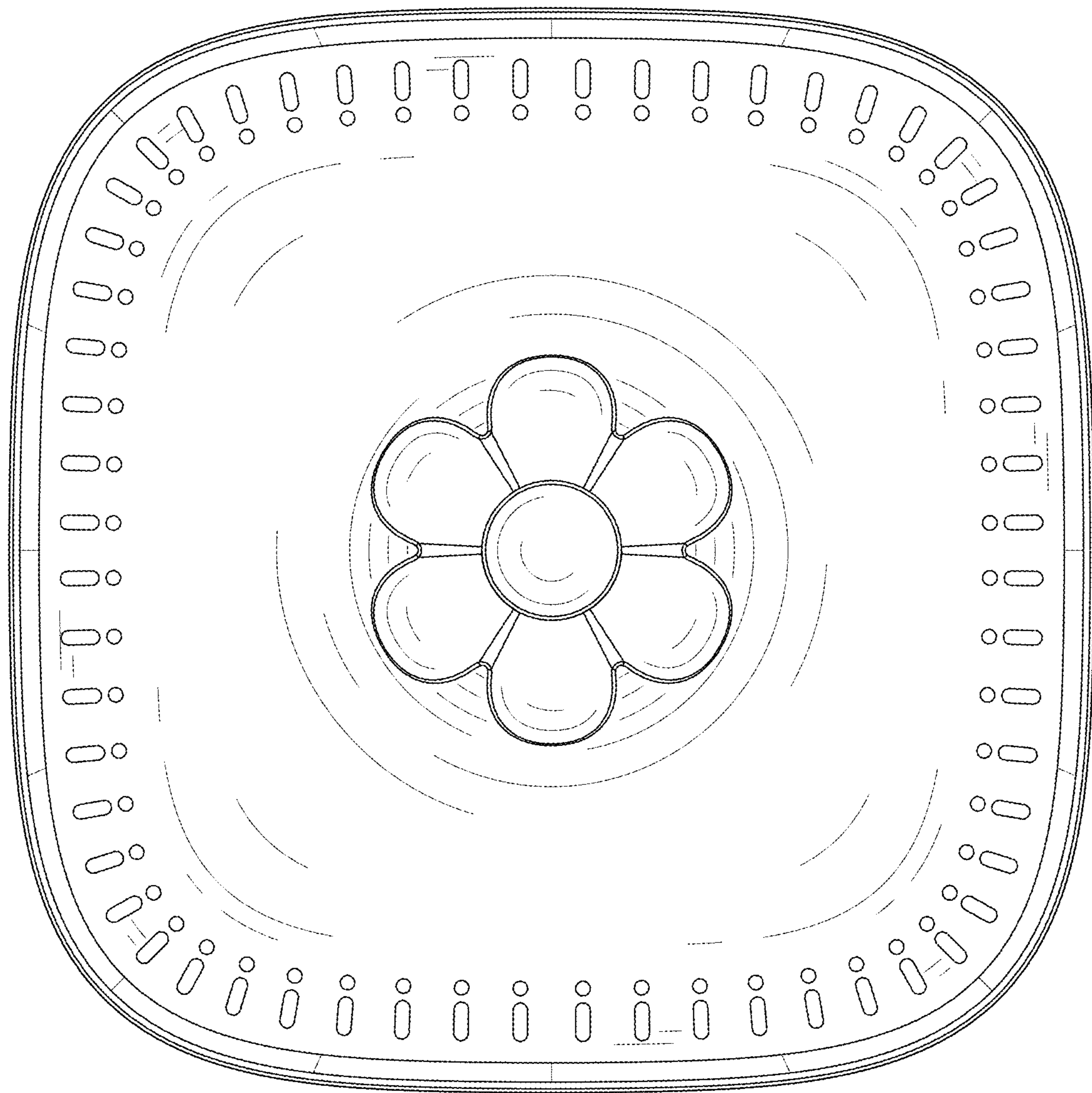


FIG.7



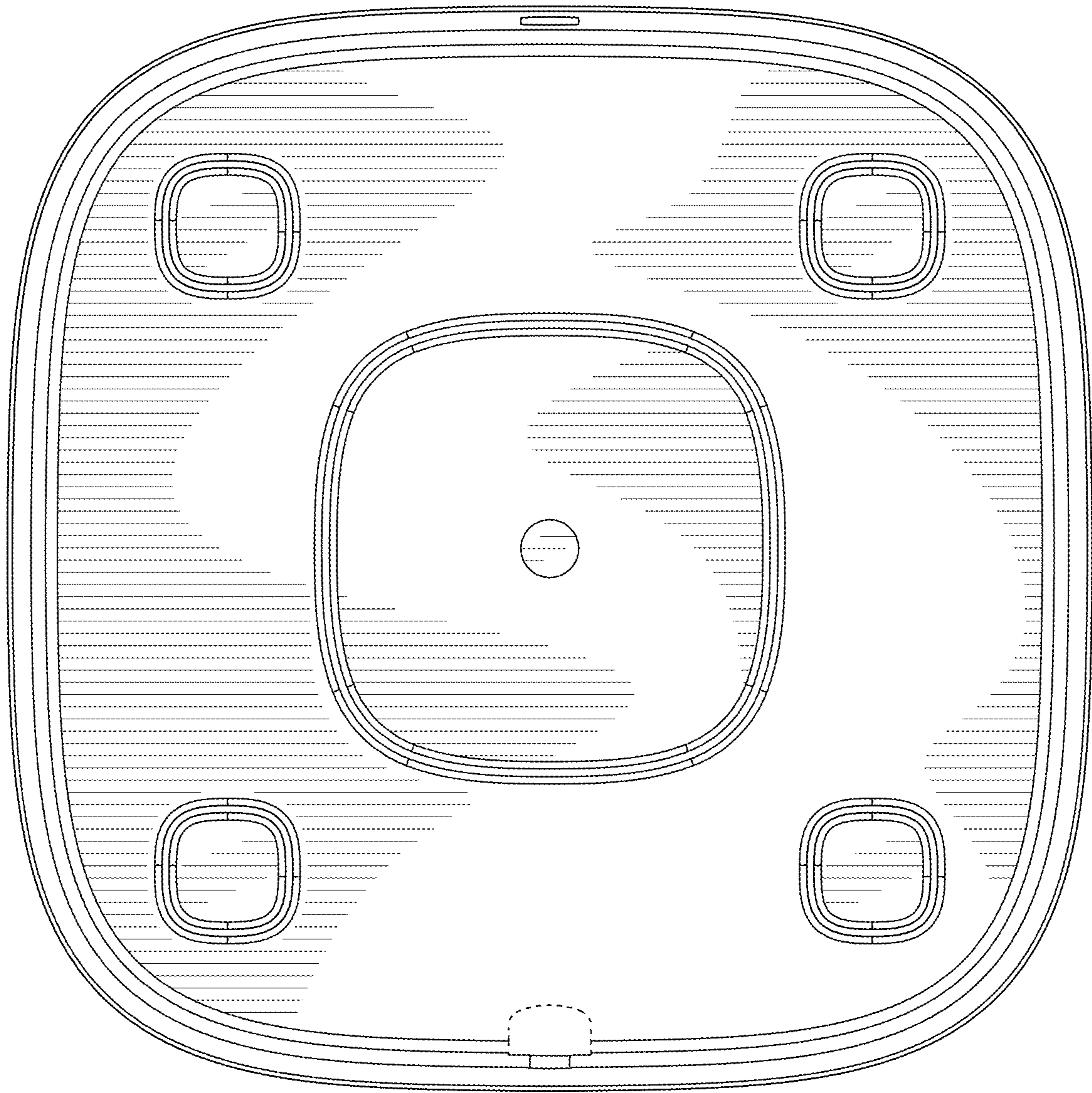


FIG.8