



US00D912324S

(12) **United States Design Patent**  
**Han et al.**

(10) **Patent No.:** **US D912,324 S**  
(45) **Date of Patent:** **\*\* Mar. 2, 2021**

(54) **RAZOR CARTRIDGE**  
(71) Applicant: **DORCO CO., LTD.**, Seoul (KR)  
(72) Inventors: **DaWoon Han**, Seoul (KR);  
**Woogyeong Go**, Seoul (KR); **Hyosun Ahn**, Seoul (KR); **Seungmi Shin**, Seoul (KR)

(73) Assignee: **DORCO CO., LTD.**, Seoul (KR)

(\*\*) Term: **15 Years**

(21) Appl. No.: **29/671,447**

(22) Filed: **Nov. 27, 2018**

(30) **Foreign Application Priority Data**

May 28, 2018 (KR) ..... 30-2018-0024728

(51) **LOC (13) Cl.** ..... **28-03**

(52) **U.S. Cl.**  
USPC ..... **D28/47**

(58) **Field of Classification Search**  
USPC ..... D28/46-48  
CPC ..... B26B 21/14-227; B26B 21/4006-4031;  
B26B 21/4068-4075; B26B 21/443;  
B26B 21/54-60; B26B 21/525  
See application file for complete search history.

(56) **References Cited**

**U.S. PATENT DOCUMENTS**

D744,165 S \* 11/2015 Tucker ..... D28/47  
D811,658 S \* 2/2018 Cataudella ..... D28/47

D877,983 S \* 3/2020 Walker, Jr. .... D28/47  
D886,379 S \* 6/2020 Bittencourt ..... D28/47  
D888,339 S \* 6/2020 Go ..... D28/47  
D889,041 S \* 6/2020 Chae ..... D28/47  
2019/0202076 A1\* 7/2019 Park ..... B26B 21/225  
2019/0351568 A1\* 11/2019 Kim ..... B26B 21/4068

\* cited by examiner

*Primary Examiner* — Jennifer Rivard

(74) *Attorney, Agent, or Firm* — Lee, Hong, Degerman,  
Kang & Waimey

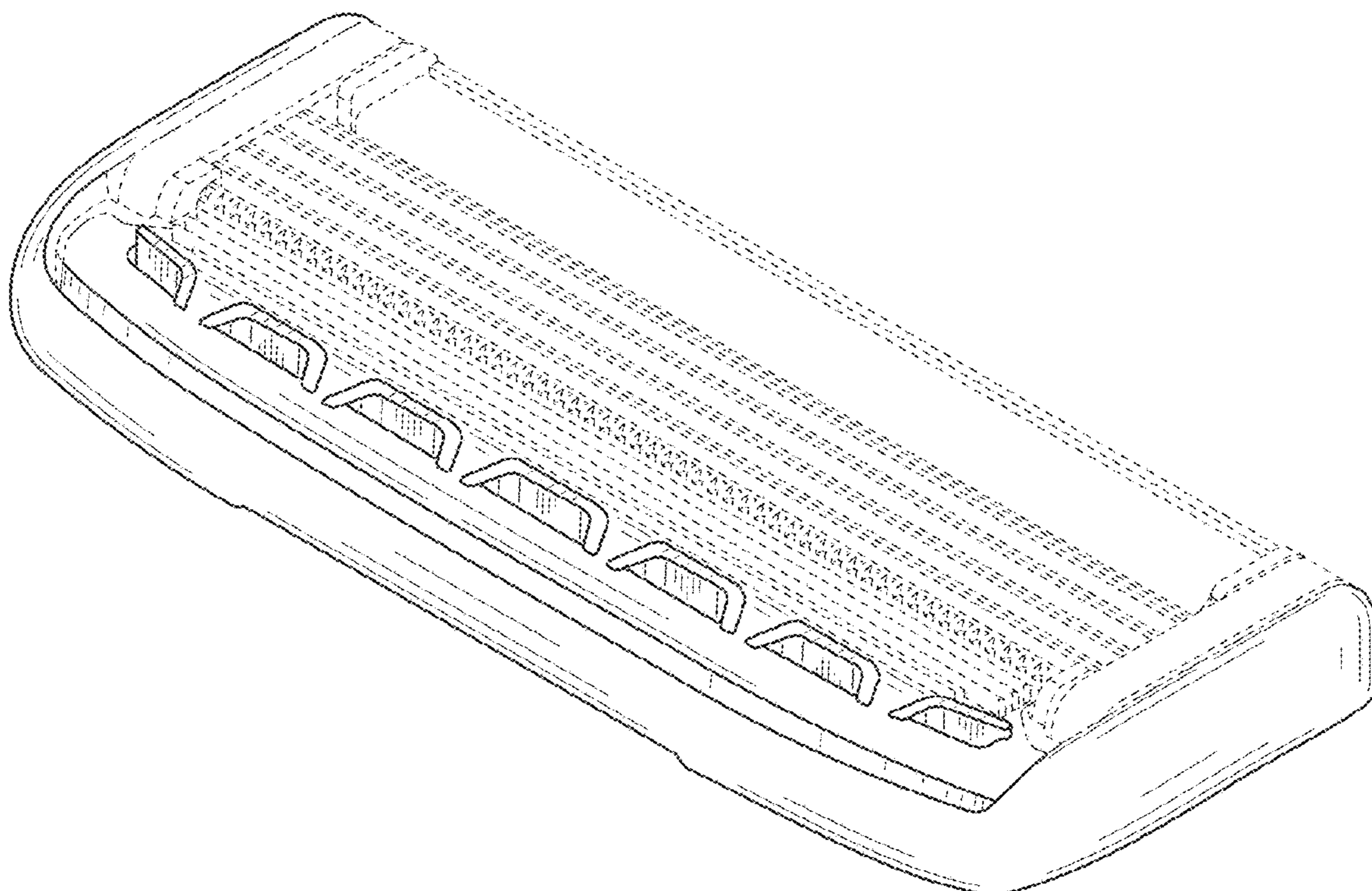
(57) **CLAIM**

The ornamental design for a razor cartridge, as shown and described.

**DESCRIPTION**

FIG. 1 is a perspective view of a razor cartridge showing the new design;  
FIG. 2 is a front view thereof;  
FIG. 3 is a rear view thereof;  
FIG. 4 is a left side view thereof;  
FIG. 5 is a right side view thereof;  
FIG. 6 is a top view thereof;  
FIG. 7 is a bottom view thereof; and,  
FIG. 8 is another perspective view thereof.  
The broken lines illustrate portions of the razor cartridge and form no part of the claimed design.  
The dash-dot-dash broken line illustrates the boundary of the claim and forms no part of the claimed design.

**1 Claim, 4 Drawing Sheets**



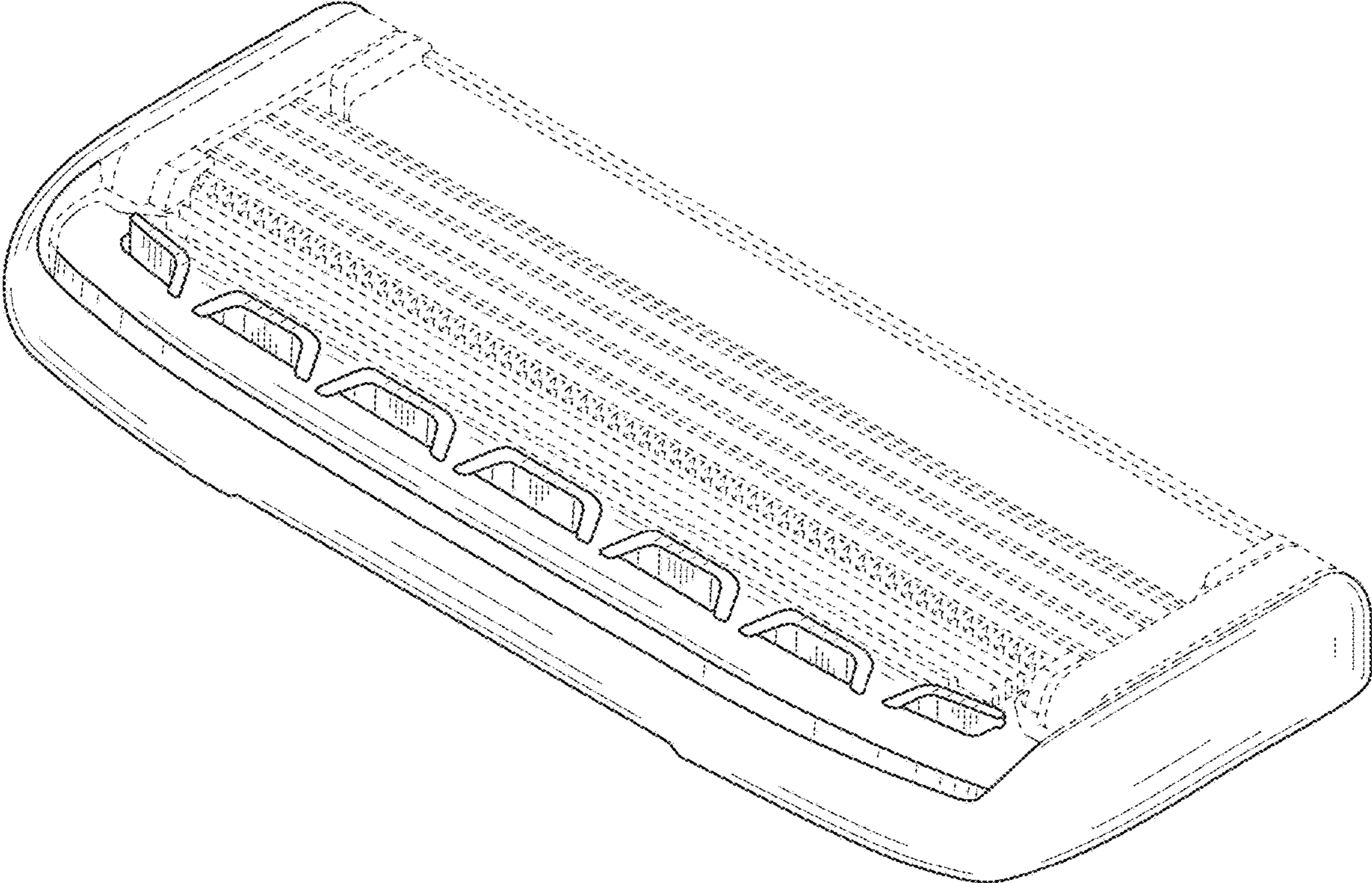


FIG. 1

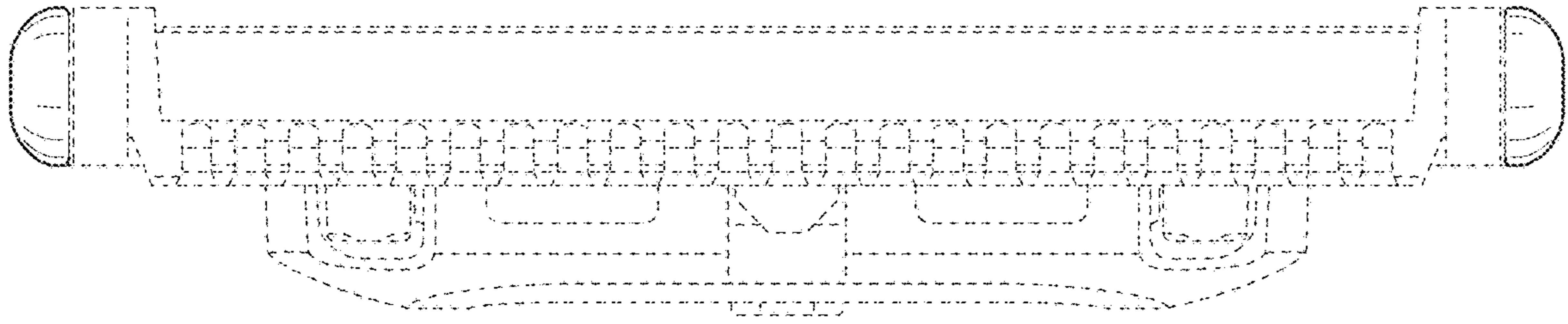


FIG. 2

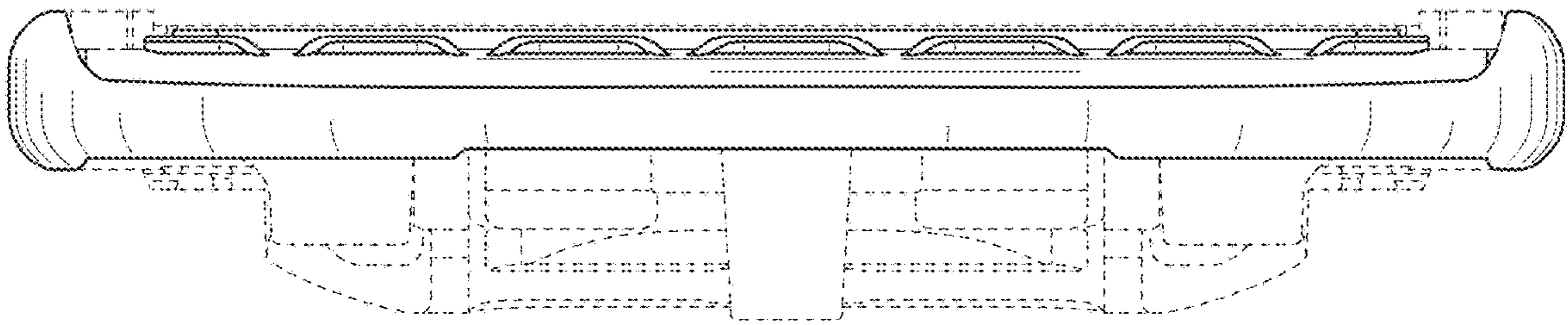


FIG. 3

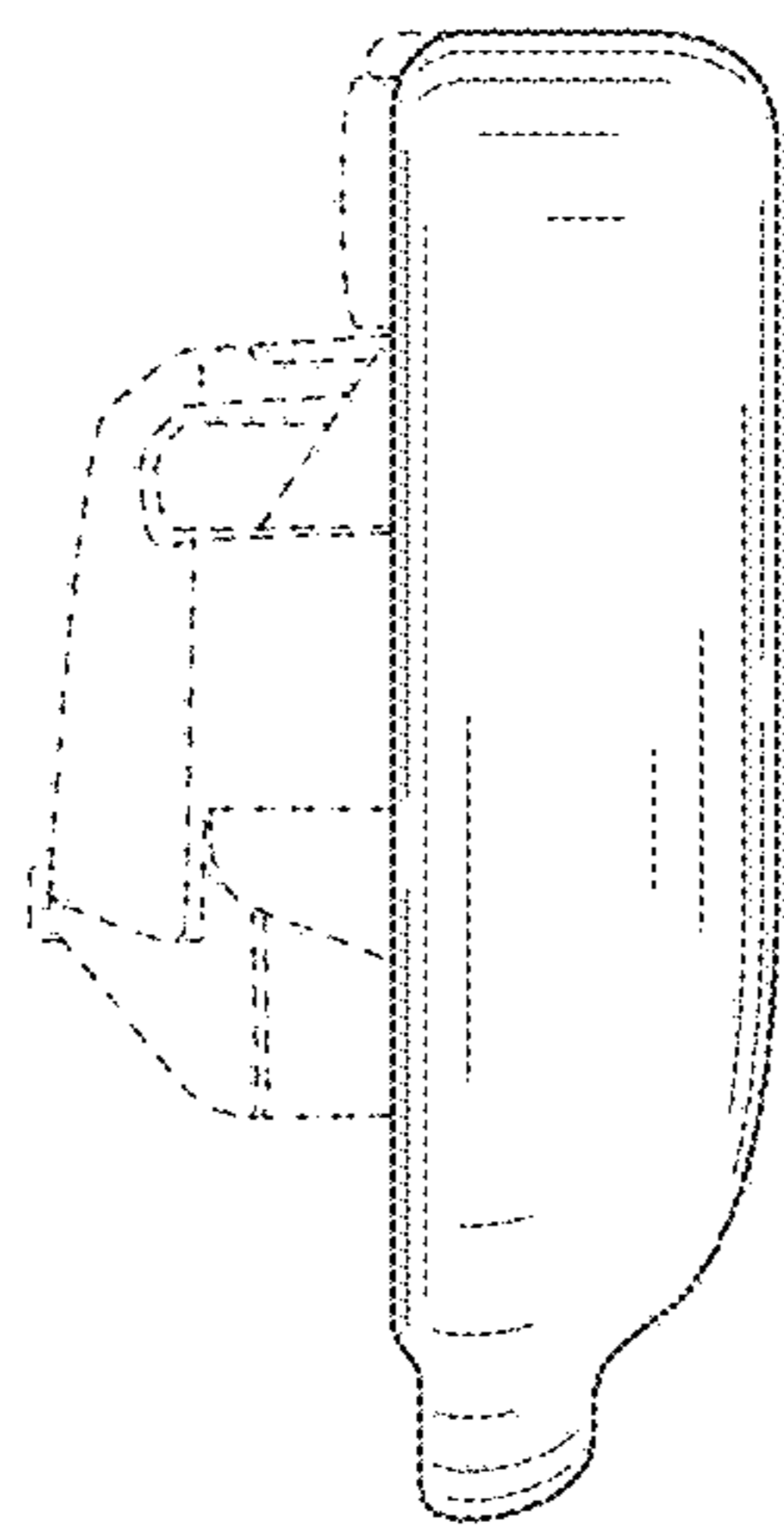


FIG. 4

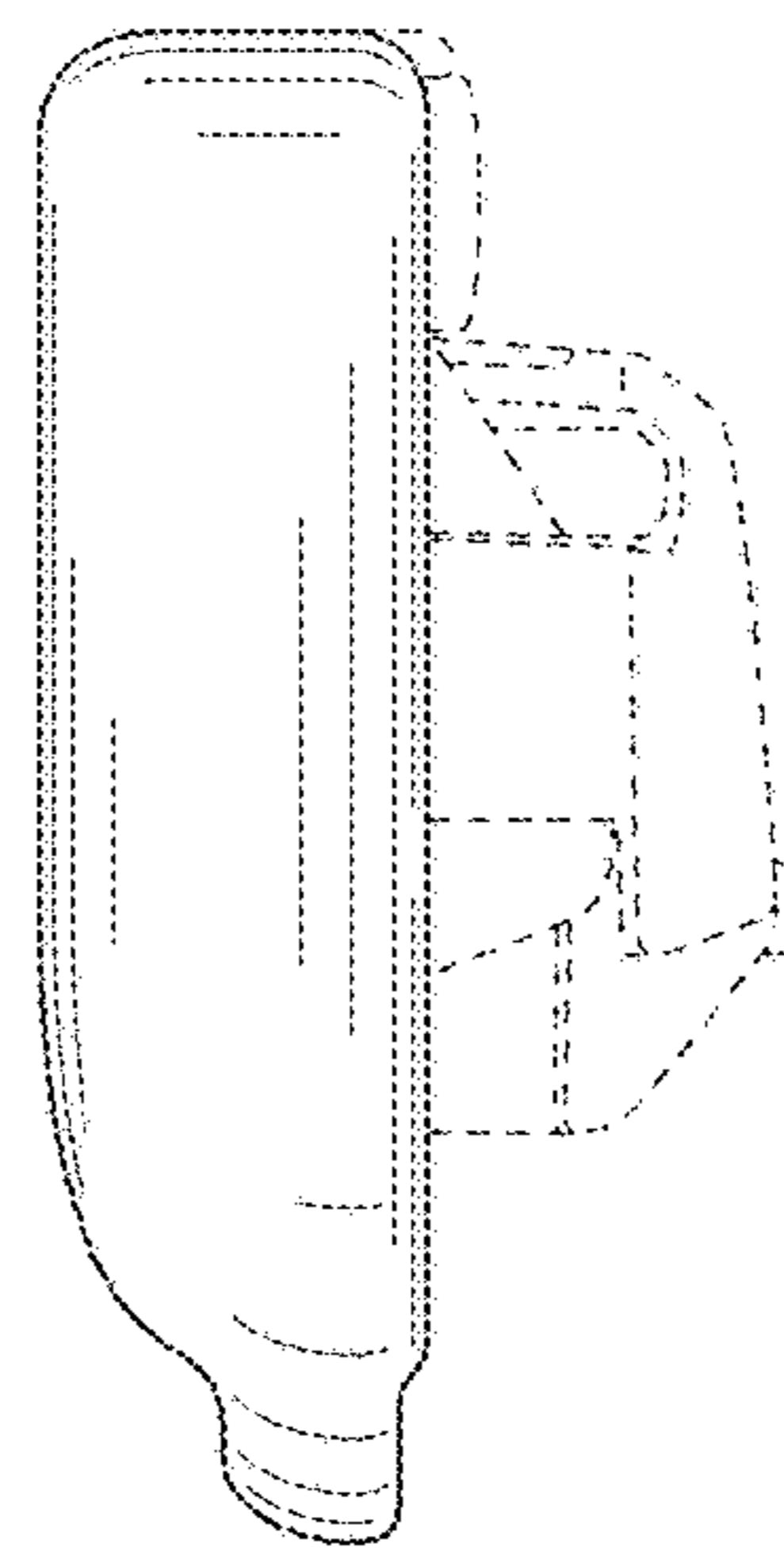


FIG. 5

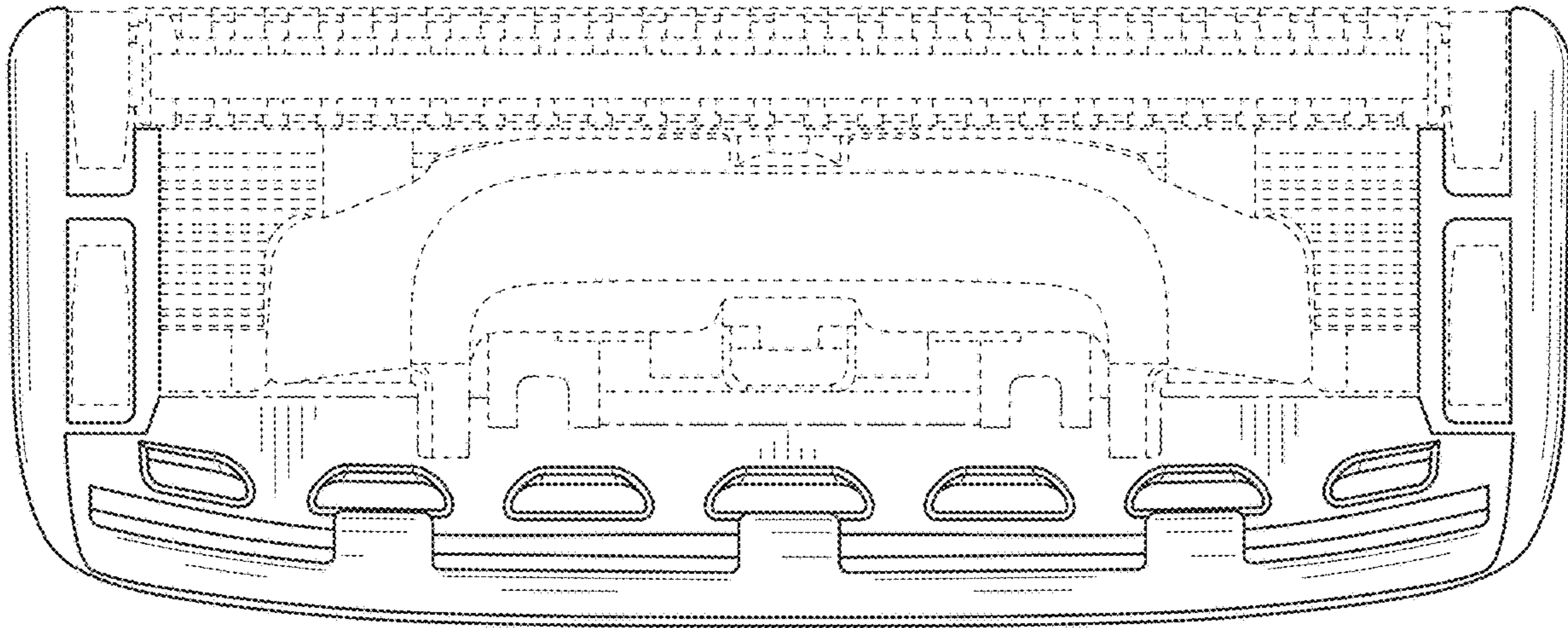


FIG. 6

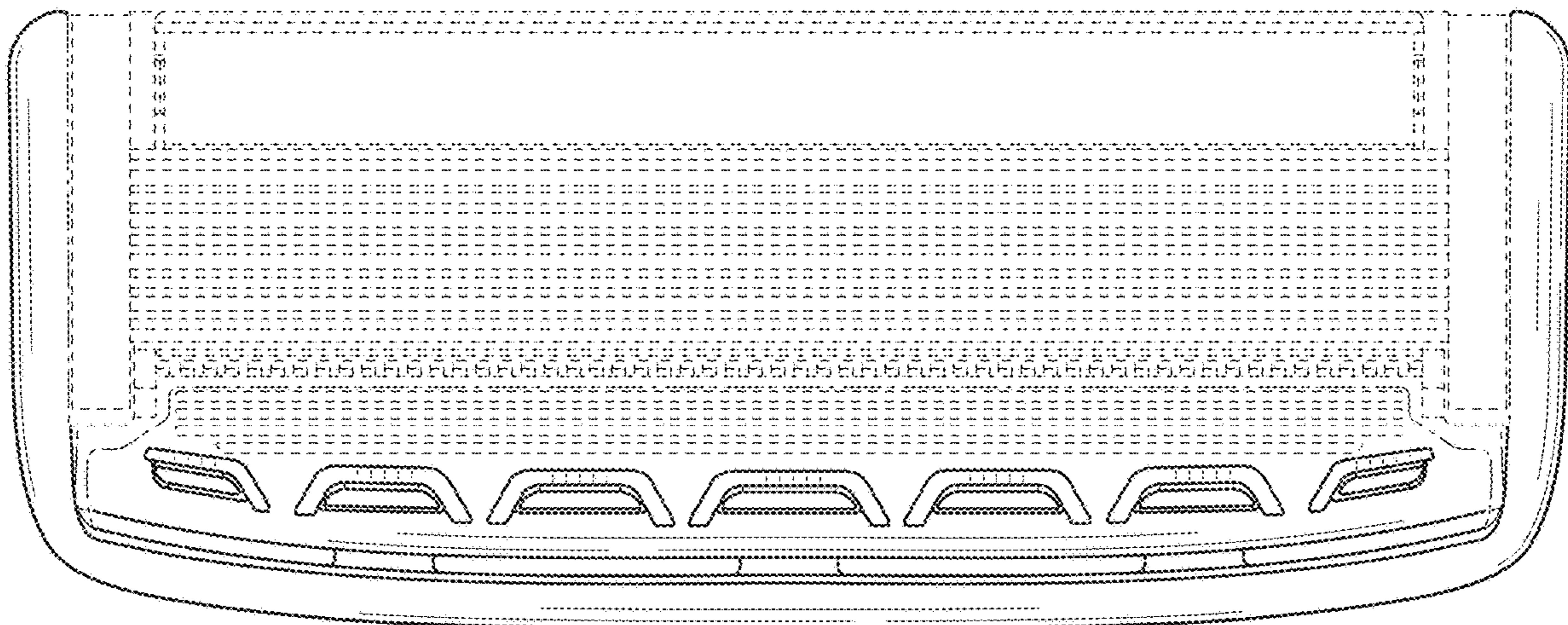


FIG. 7

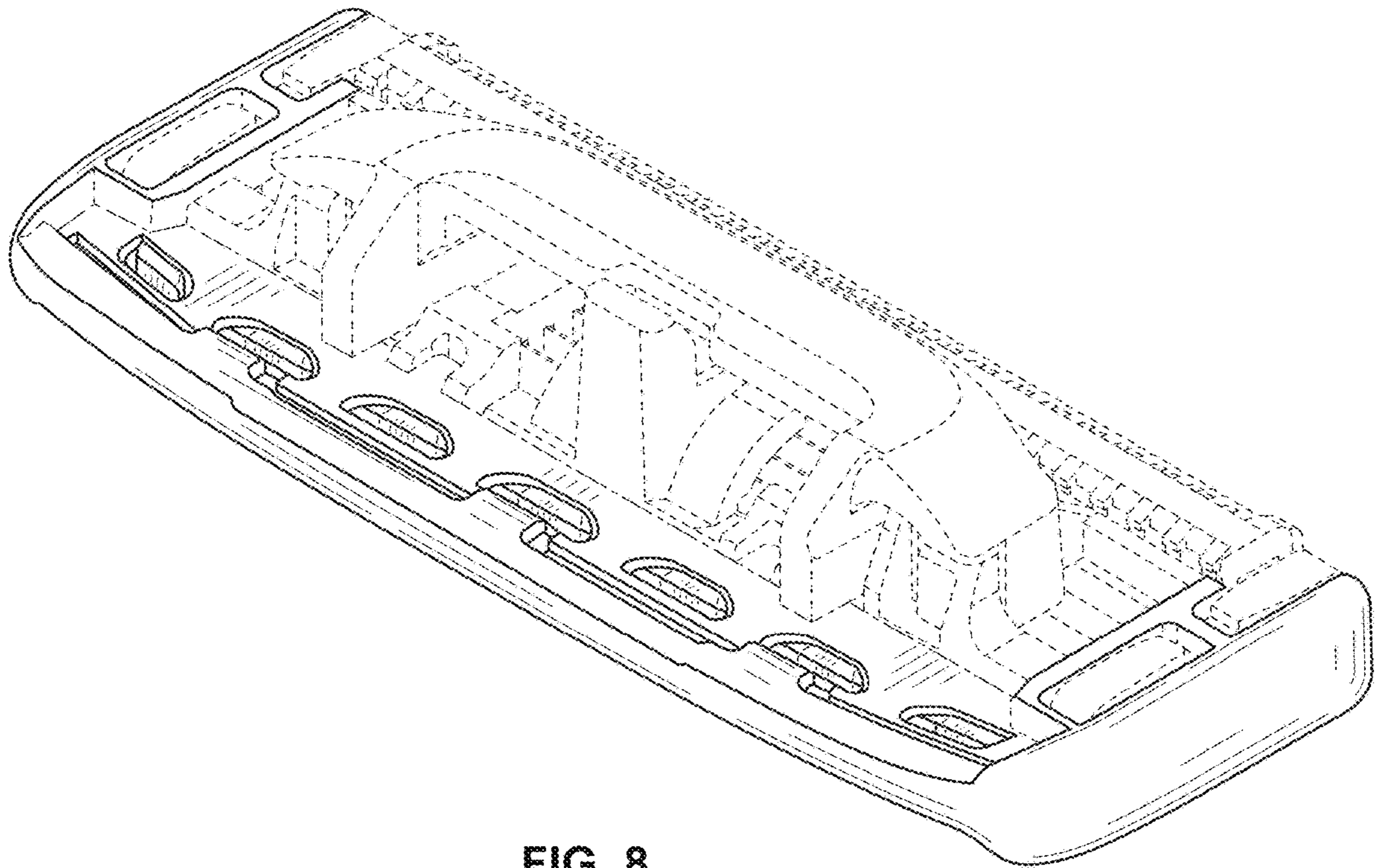


FIG. 8