



US00D912321S

(12) **United States Design Patent** (10) **Patent No.:** **US D912,321 S**
Huang (45) **Date of Patent:** **** Mar. 2, 2021**

(54) **HAIR STRAIGHTENER**
(71) Applicant: **Guangdong Huanengda Electrical appliances Co., LTD., Jieyang (CN)**

D627,926 S * 11/2010 Nenadich D28/35
D674,541 S * 1/2013 Kim D28/35
D716,497 S * 10/2014 Renault D28/35
D867,659 S * 11/2019 Zhou D28/35
D886,373 S * 6/2020 Chen D28/35

(72) Inventor: **Huaqun Huang, Jieyang (CN)**
(73) Assignee: **Guangdong Huanengda Electrical appliances Co., LTD., Jieyang (CN)**

FOREIGN PATENT DOCUMENTS

CN 305681760 * 6/2019
CN 305823853 * 1/2020
CN 306055802 * 5/2020

(**) Term: **15 Years**

OTHER PUBLICATIONS

(21) Appl. No.: **29/718,762**

Infinipro by Conair Tourmaline Ceramic Flat Iron [online], [site visited Oct. 22, 2020]. Available from internet, URL:<<https://www.amazon.com/dp/B0009PVV4K/>> (Year: 2019).*

(22) Filed: **Dec. 27, 2019**

(Continued)

(30) **Foreign Application Priority Data**

Sep. 2, 2019 (CN) 201930482105.9

Primary Examiner — Cynthia Ramirez
Assistant Examiner — Xavier Marti-Santos

(51) **LOC (13) Cl.** **28-03**

(74) *Attorney, Agent, or Firm* — Dragon Sun Law Firm, PC; Jinggao Li, Esq.

(52) **U.S. Cl.**
USPC **D28/35**

(58) **Field of Classification Search**
USPC D28/10, 35, 37, 38
CPC A45D 2/00; A45D 2001/045; A45D 1/16;
A45D 1/04; A45D 1/18; A45D 1/06–14;
A45D 2/02–10; A45D 2/38–42; A45D
2/001–002

(57) **CLAIM**

The ornamental design for a hair straightener, as shown and described.

See application file for complete search history.

DESCRIPTION

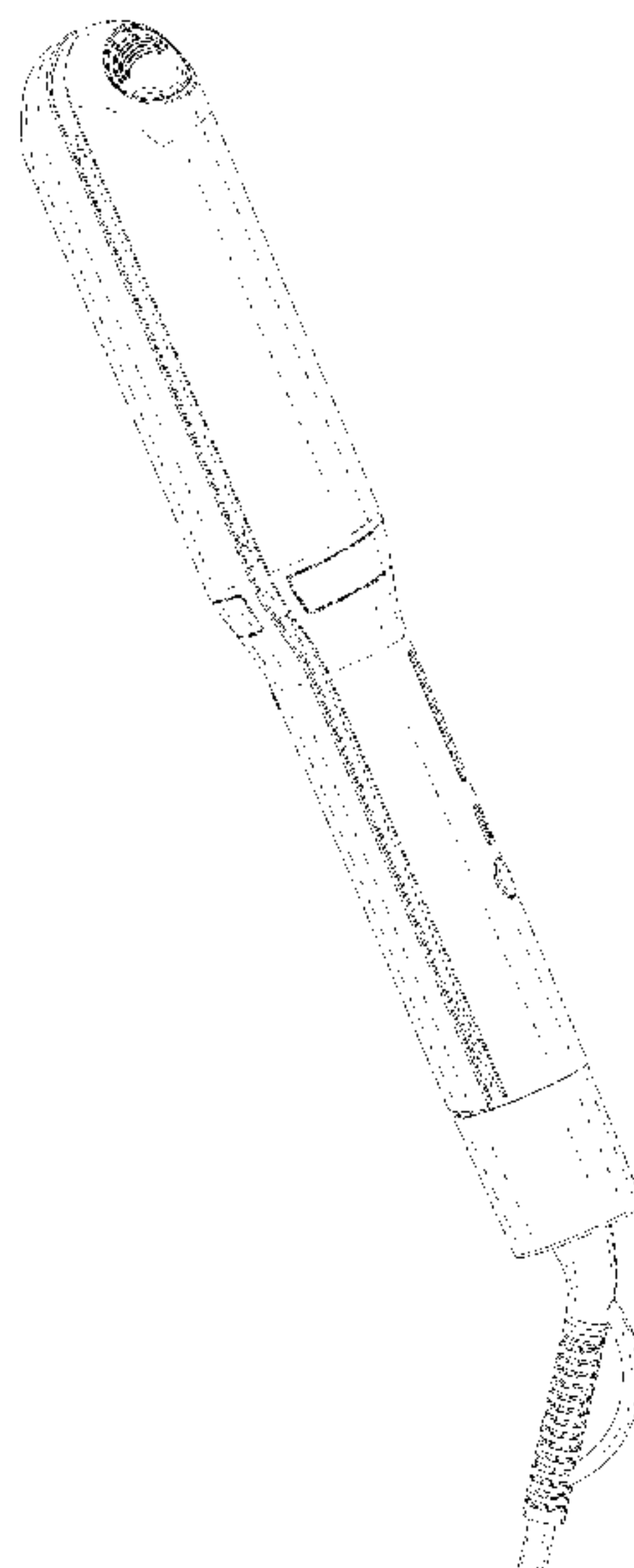
(56) **References Cited**

U.S. PATENT DOCUMENTS

D480,176 S * 9/2003 Ouellette D28/35
D570,043 S * 5/2008 Leung D28/35
D581,591 S * 11/2008 Hein D28/35
D596,793 S * 7/2009 Kwok D28/35
D596,794 S * 7/2009 Keong D28/35
D596,795 S * 7/2009 Keong D28/35
D606,255 S * 12/2009 Leung D28/35
D627,925 S * 11/2010 Nenadich D28/35

FIG. 1 is a prospective view of a hair straightener showing my new design;
FIG. 2 is another prospective view thereof;
FIG. 3 is a front view thereof;
FIG. 4 is a rear view thereof;
FIG. 5 is a left side view thereof;
FIG. 6 is a right side view thereof;
FIG. 7 is a top plan view thereof; and,
FIG. 8 is a bottom plan view thereof.
The broken lines in the drawings illustrate portions of the hair straightener and form no part of the claimed design.

1 Claim, 8 Drawing Sheets



(56)

References Cited

OTHER PUBLICATIONS

Remington 2" Flat Iron with Thermaluxe Advanced Thermal Technology [online], [site visited Oct. 22, 2020]. Available from internet, URL:<<https://www.amazon.com/Remington-Thermaluxe-Advanced-Thermal-Technology/dp/B01FJSQD2Q/>> (Year: 2019).*

Ceramic Coating Wonderful Infrared Hair Straightener [online], [site visited Oct. 22, 2020]. Available from internet, URL:<https://kangfuchina.en.alibaba.com/product/60756800438803336670/Ceramic_Coating_Wonderful_Infrared_Hair_Straightener_Portable.html?spm=a2700.icbuShop.41413.18.2bba3d66UfBePw> (Year: 2020).*

* cited by examiner

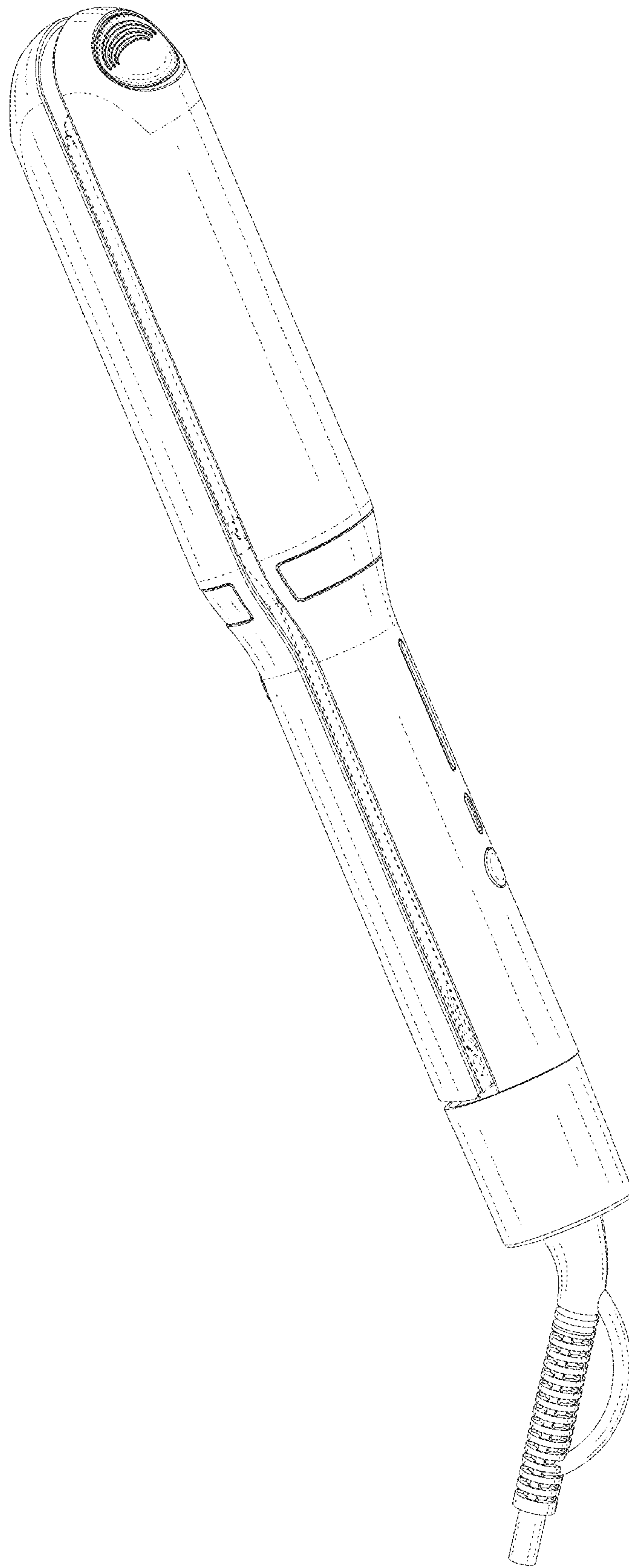


FIG. 1

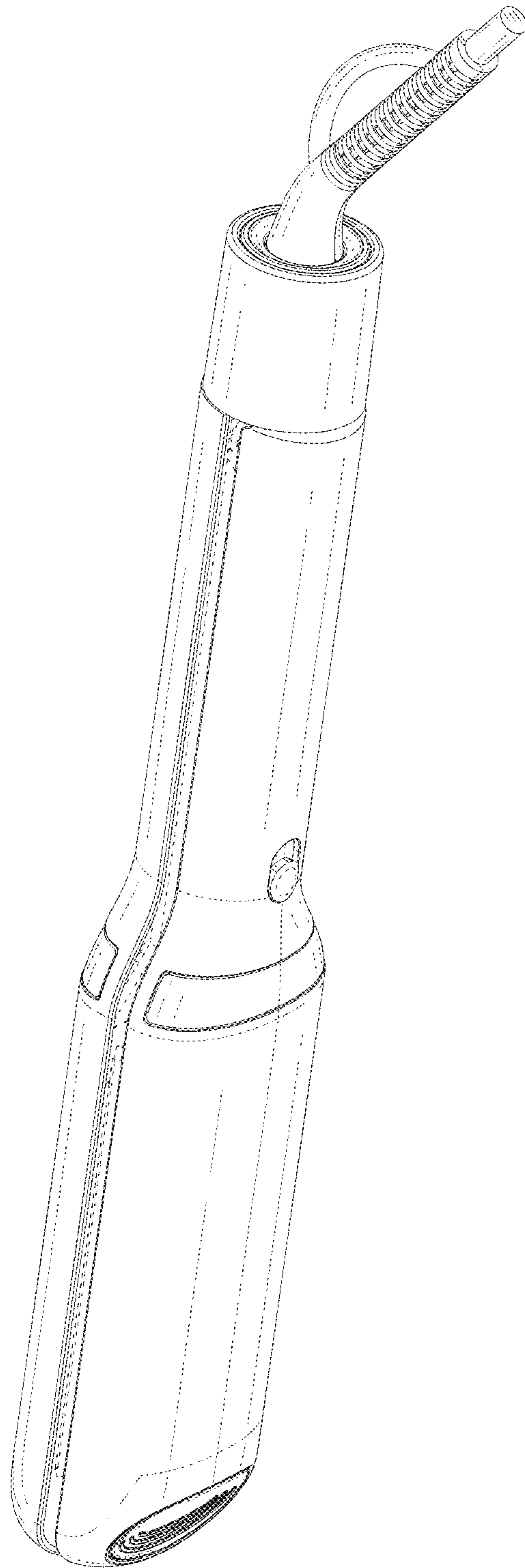


FIG. 2

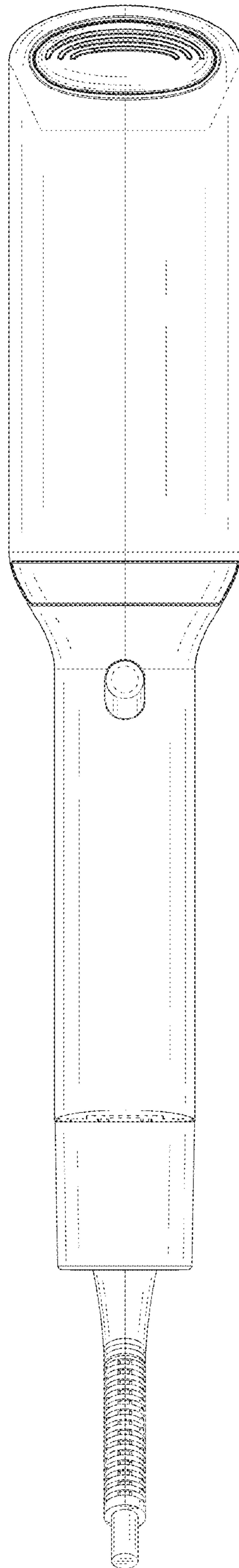


FIG. 3

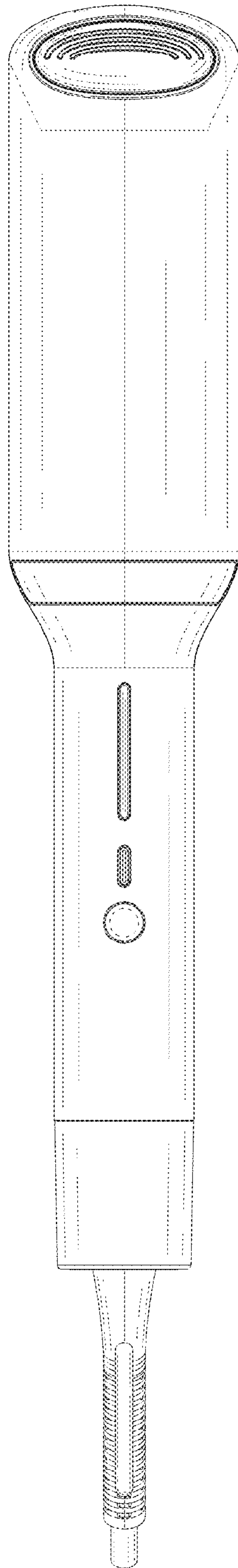


FIG. 4

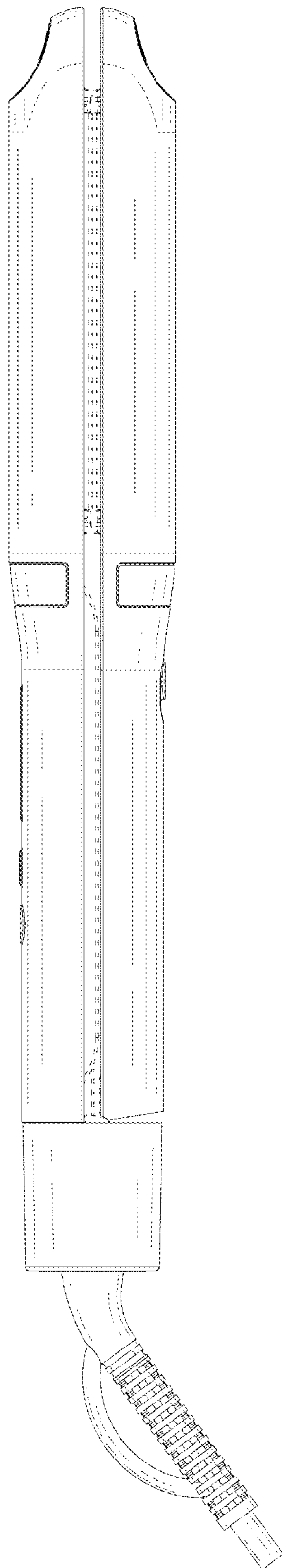


FIG. 5

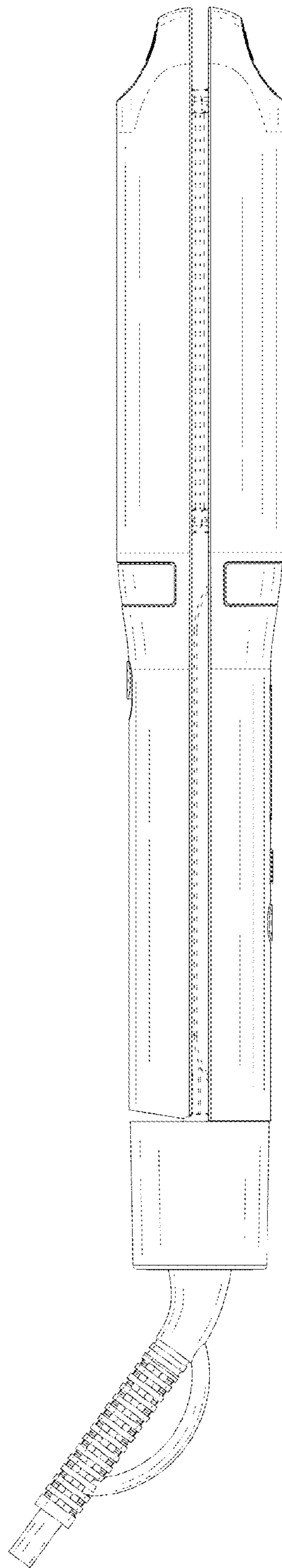


FIG. 6

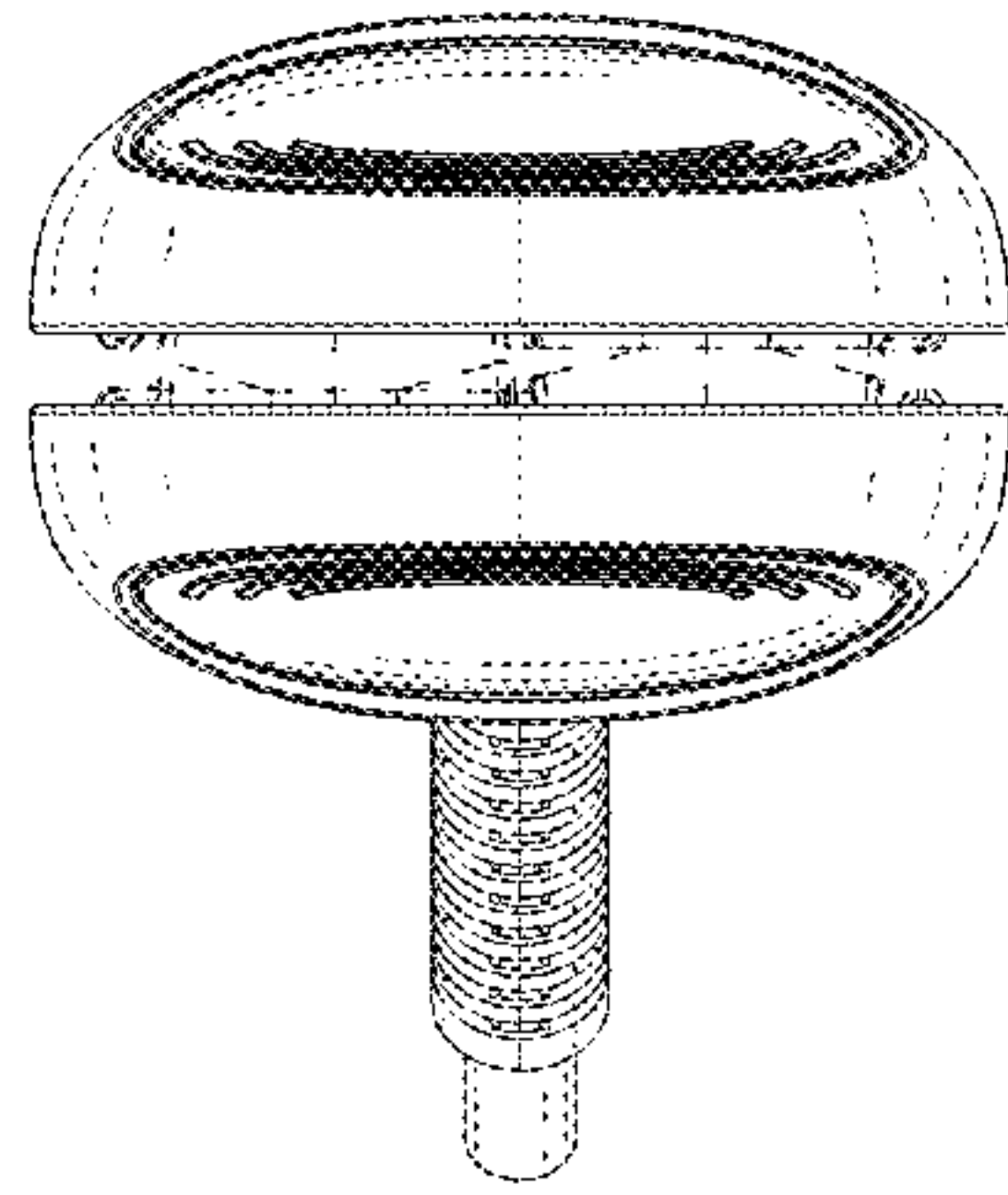


FIG. 7

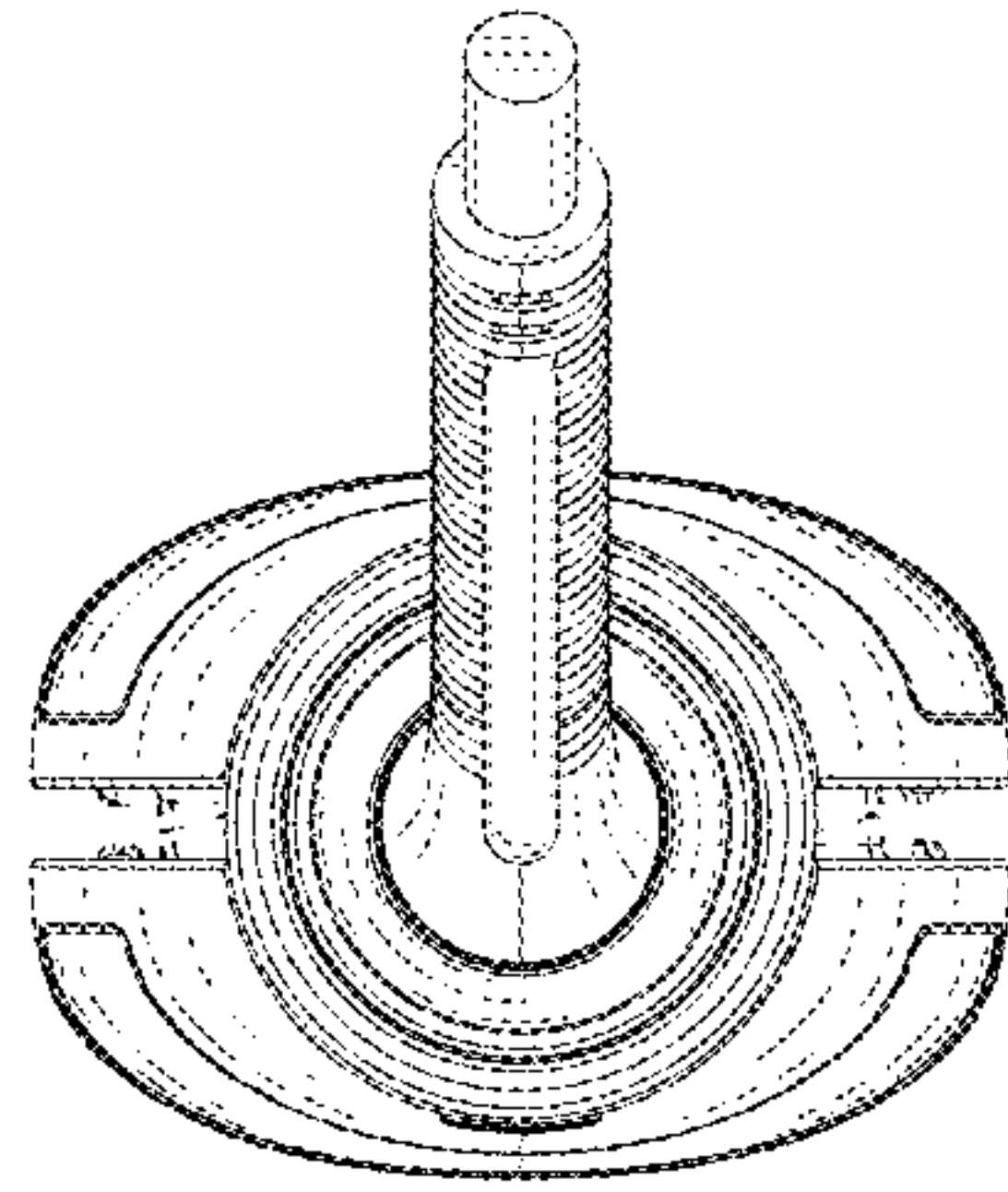


FIG. 8