



US00D912320S

(12) **United States Design Patent** (10) **Patent No.:** **US D912,320 S**
Liang (45) **Date of Patent:** **** Mar. 2, 2021**

(54) **HANDLE FOR CURLING IRON**

FOREIGN PATENT DOCUMENTS

(71) Applicant: **SHENZHEN BAISHIDE TECHNOLOGY CO., LTD.**, Shenzhen (CN)

CN 305810486 * 9/2019
EM 007406103-0001 * 12/2019

(72) Inventor: **Wencheng Liang**, Shenzhen (CN)

OTHER PUBLICATIONS

(73) Assignee: **SHENZHEN BAISHIDE TECHNOLOGY CO., LTD.**, Shenzhen (CN)

Curling Iron Set 6 in 1 BESTOPE [online], [site visited Oct. 28, 2020]. Available from internet, URL:<<https://www.amazon.com/Curling-BESTOPE-Upgrade-Instant-Tourmaline/dp/B085Y74YC6/>> (Year: 2020).*

(**) Term: **15 Years**

* cited by examiner

(21) Appl. No.: **29/717,968**

Primary Examiner — Cynthia Ramirez
Assistant Examiner — Xavier Marti-Santos

(22) Filed: **Dec. 20, 2019**

(51) **LOC (13) Cl.** **28-03**

(57) **CLAIM**

(52) **U.S. Cl.**

The ornamental design for a handle for curling iron, as shown and described.

USPC **D28/35**

(58) **Field of Classification Search**

DESCRIPTION

USPC D28/10, 35, 37, 38
CPC A45D 2/00; A45D 2001/045; A45D 1/16;
A45D 1/04; A45D 1/18; A45D 1/06-14;
A45D 2/02-10; A45D 2/38-42; A45D
2/001-002
See application file for complete search history.

FIG. 1 is a perspective view of a handle for curling iron showing my new design;
FIG. 2 is a front elevational view thereof;
FIG. 3 is a rear elevational view thereof;
FIG. 4 is a left side elevational view thereof;
FIG. 5 is a right side elevational view thereof;
FIG. 6 is a top plan view thereof;
FIG. 7 is a bottom plan view thereof;
FIG. 8 is a perspective view of the handle for curling iron in condition of use; and,
FIG. 9 is an enlarged view of portion 9 shown in FIG. 1.
The broken lines in the drawings depict portions of the handle for curling iron which for no part of the claimed design. The additional broken lines shown in FIG. 8 are to show environment and form no part of the claimed design. The dash-dot broken lines in FIG. 1 are to show an enlargement and form no part of the claimed design.

(56) **References Cited**

U.S. PATENT DOCUMENTS

D455,226 S * 4/2002 McCurrach D28/10
D659,284 S * 5/2012 Amkie D28/35
D726,963 S * 4/2015 Sayers D28/35
D769,523 S * 10/2016 Fan D28/35
D785,243 S * 4/2017 Zhang D28/35
D847,427 S * 4/2019 Shen D28/35
D857,292 S * 8/2019 Hu D28/35
D870,967 S * 12/2019 Huang D28/35
D895,896 S * 9/2020 Hu D28/35
2013/0019890 A1 * 1/2013 Liao A45D 1/04
132/228
2018/0249801 A1 * 9/2018 Aizenberg A45D 2/367
2018/0360185 A1 * 12/2018 Yates A45D 7/02

1 Claim, 9 Drawing Sheets

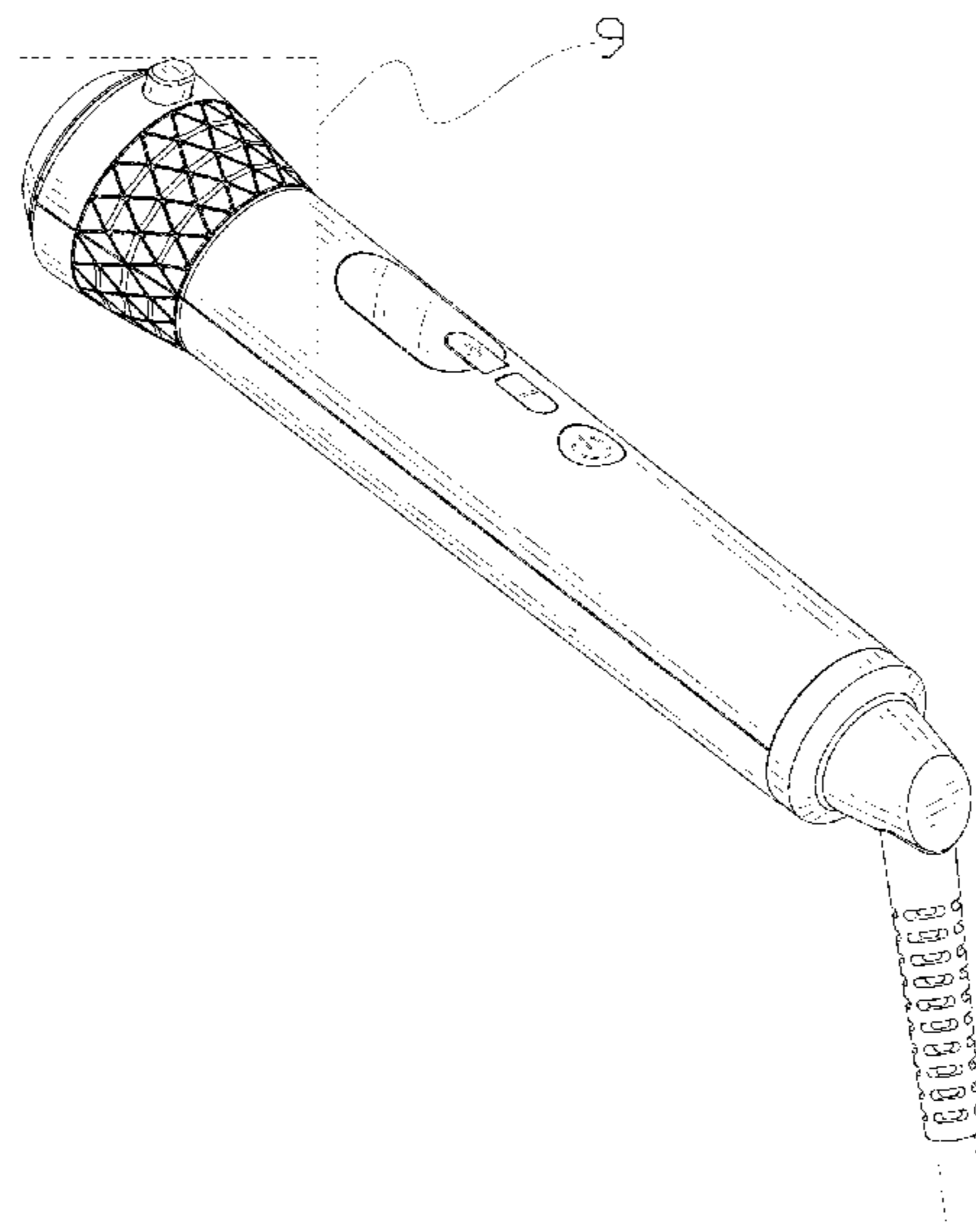




FIG. 1

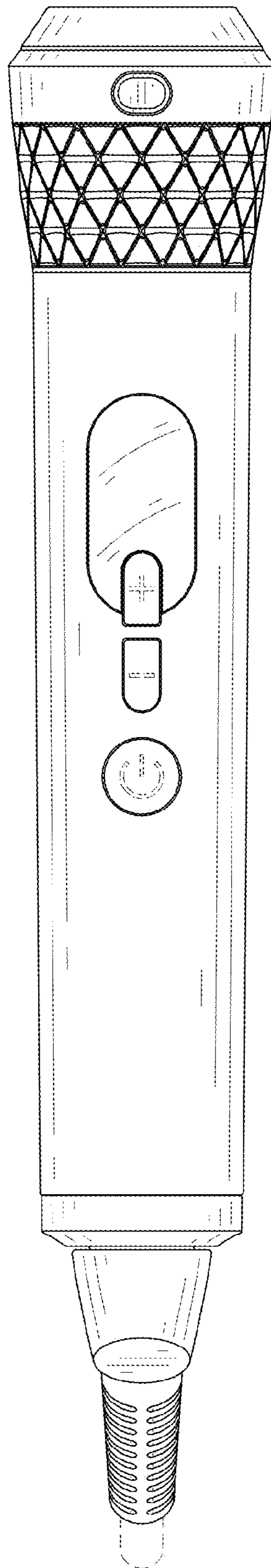


FIG. 2

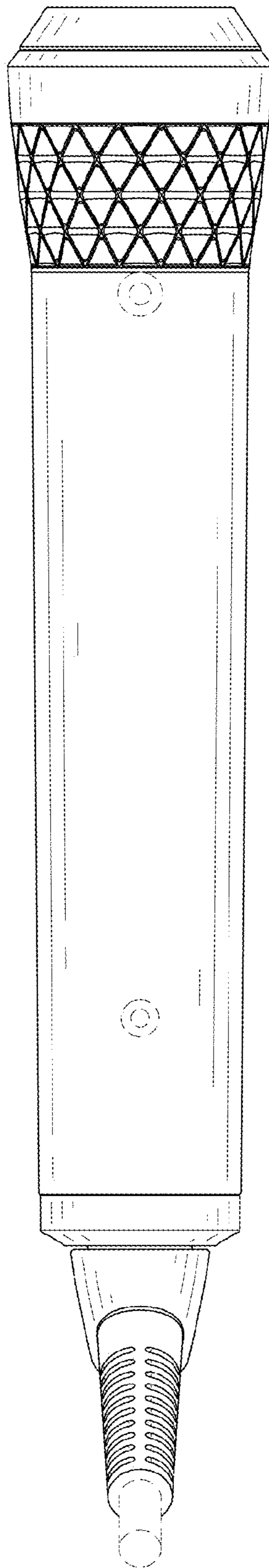


FIG. 3

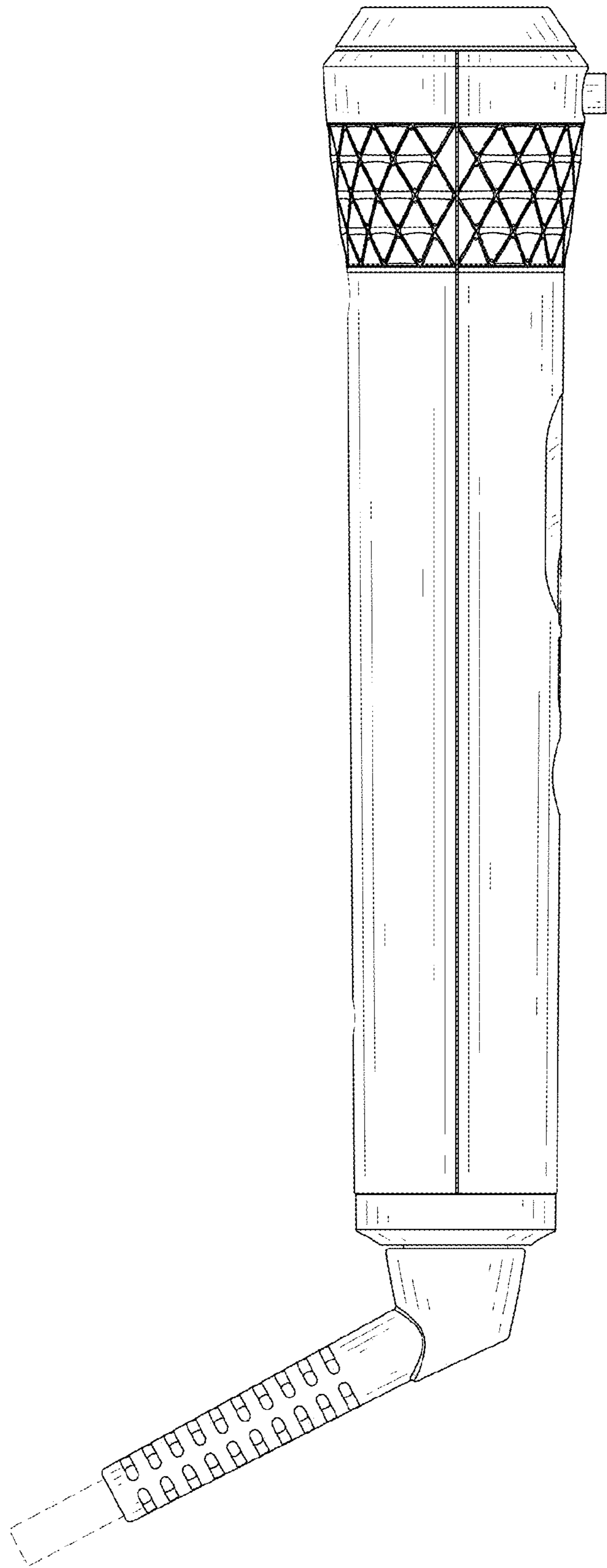


FIG. 4

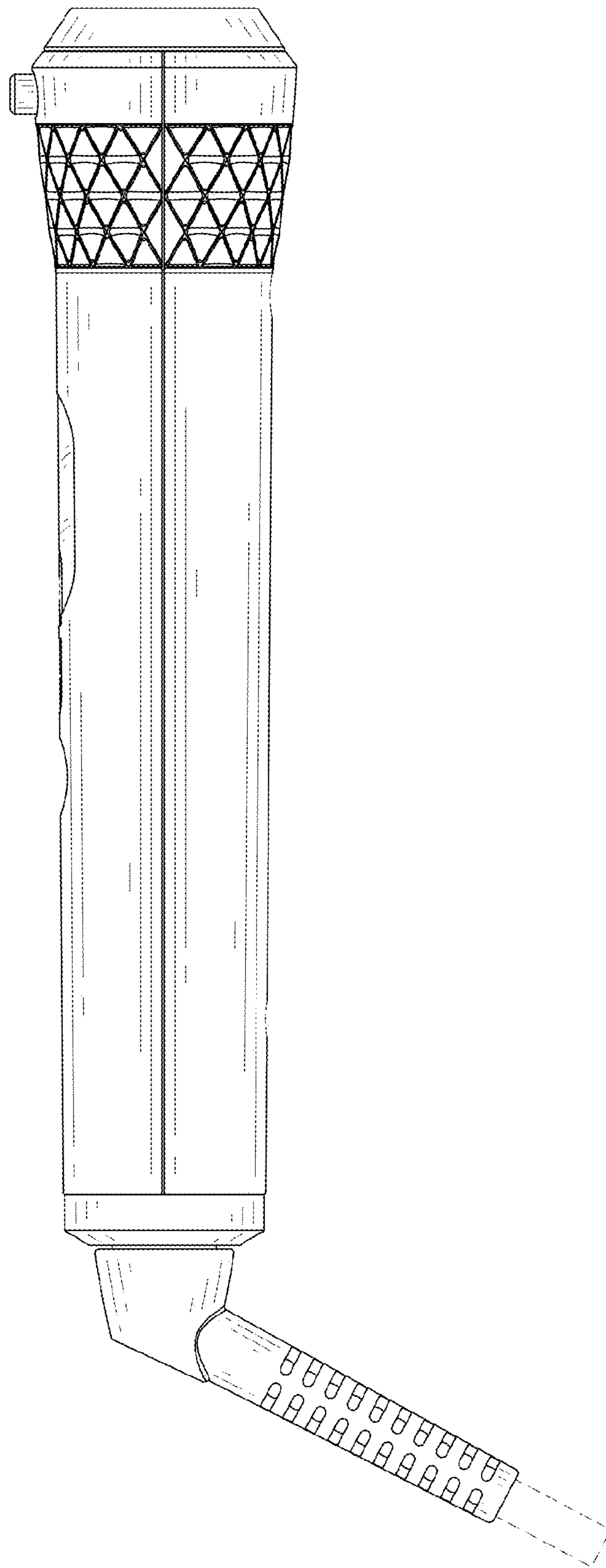


FIG. 5

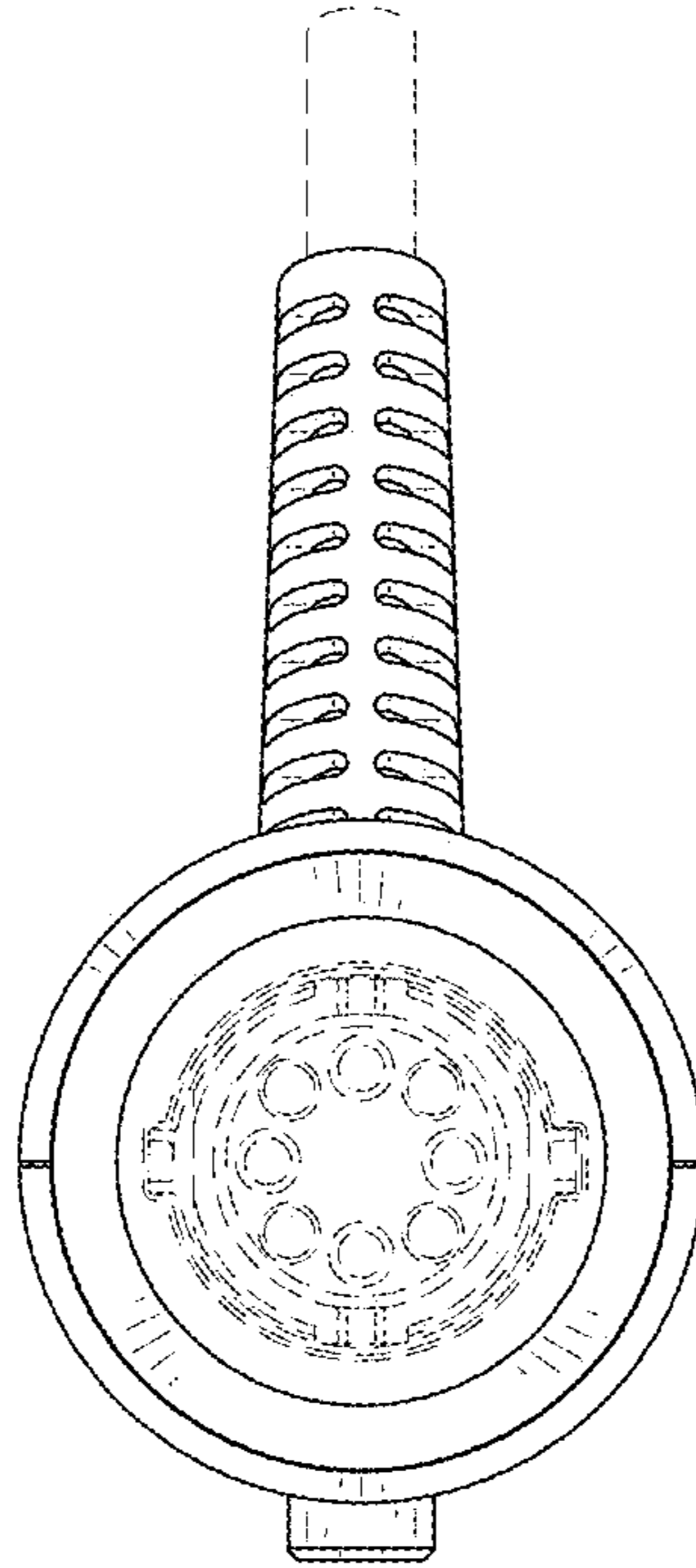


FIG. 6

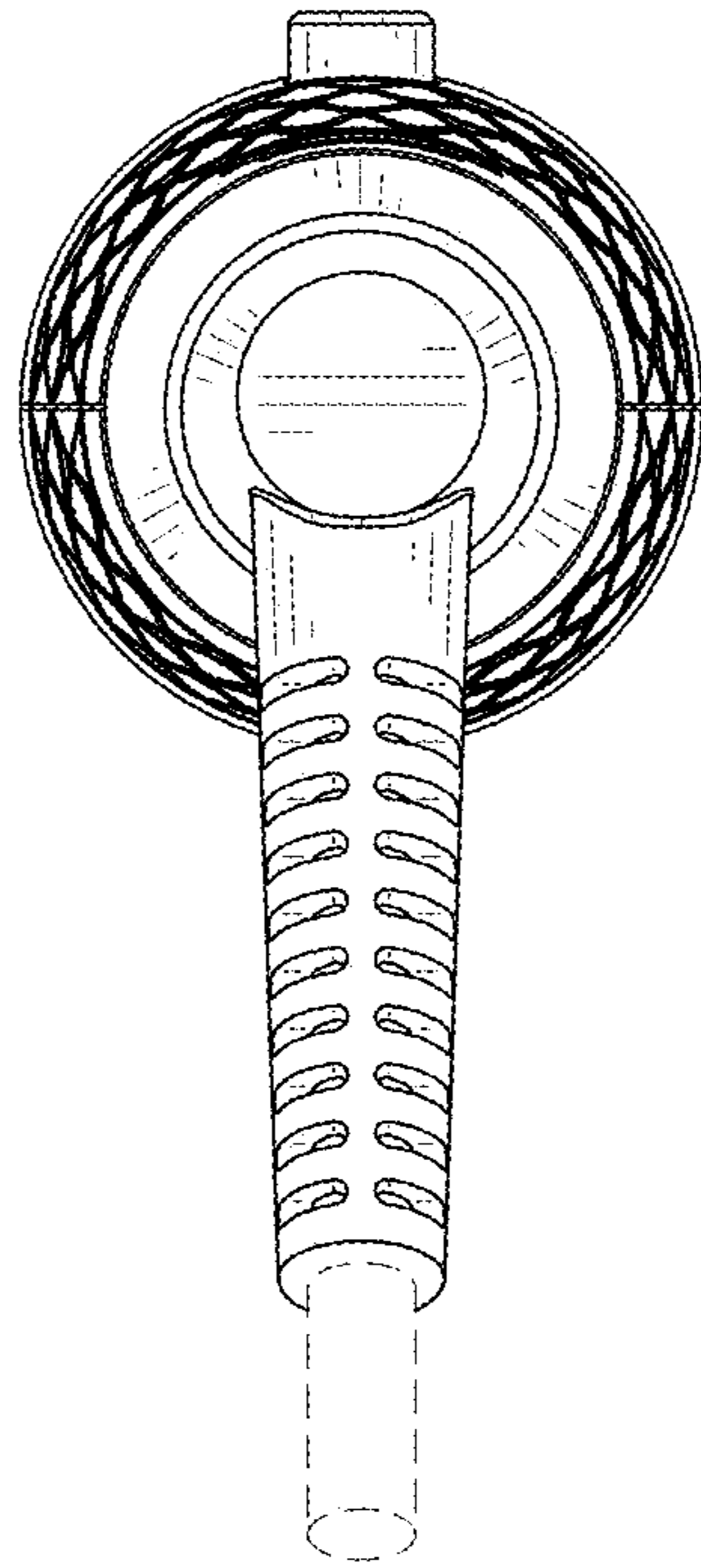


FIG. 7

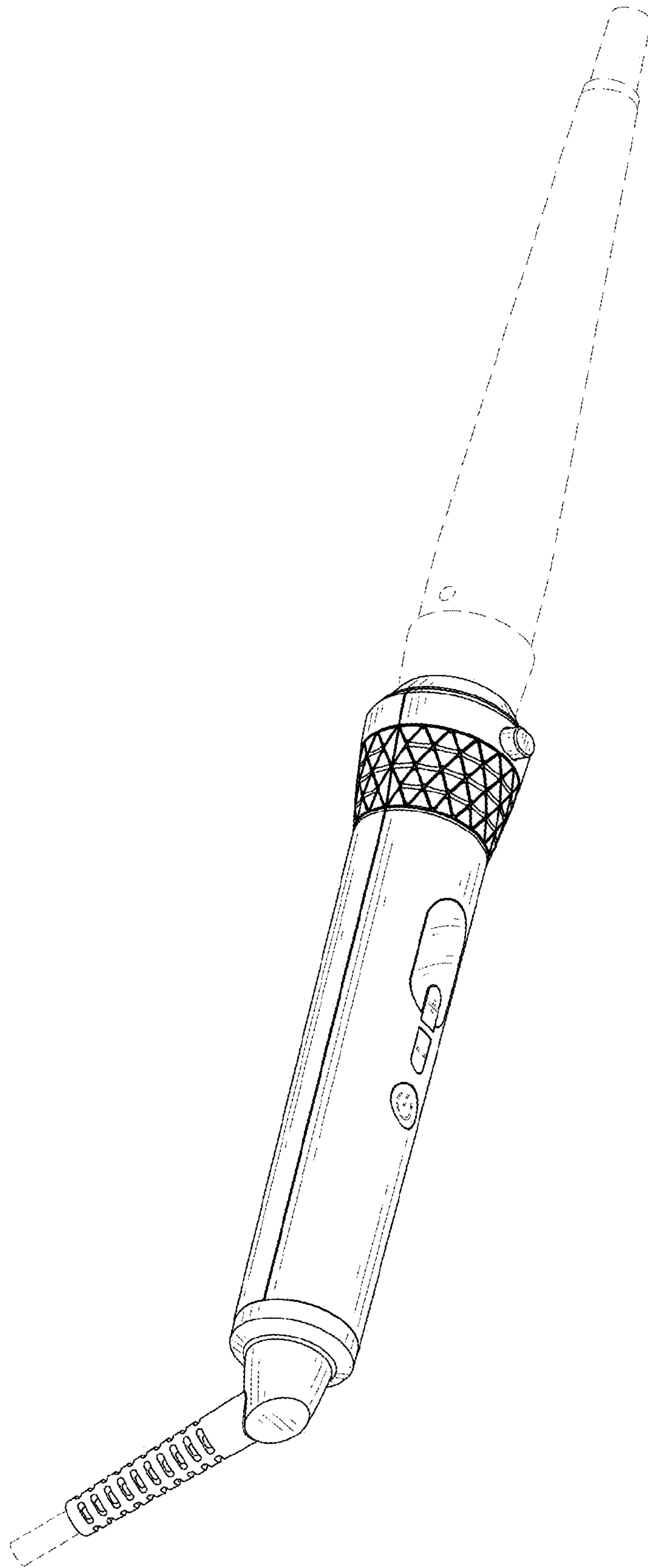


FIG. 8

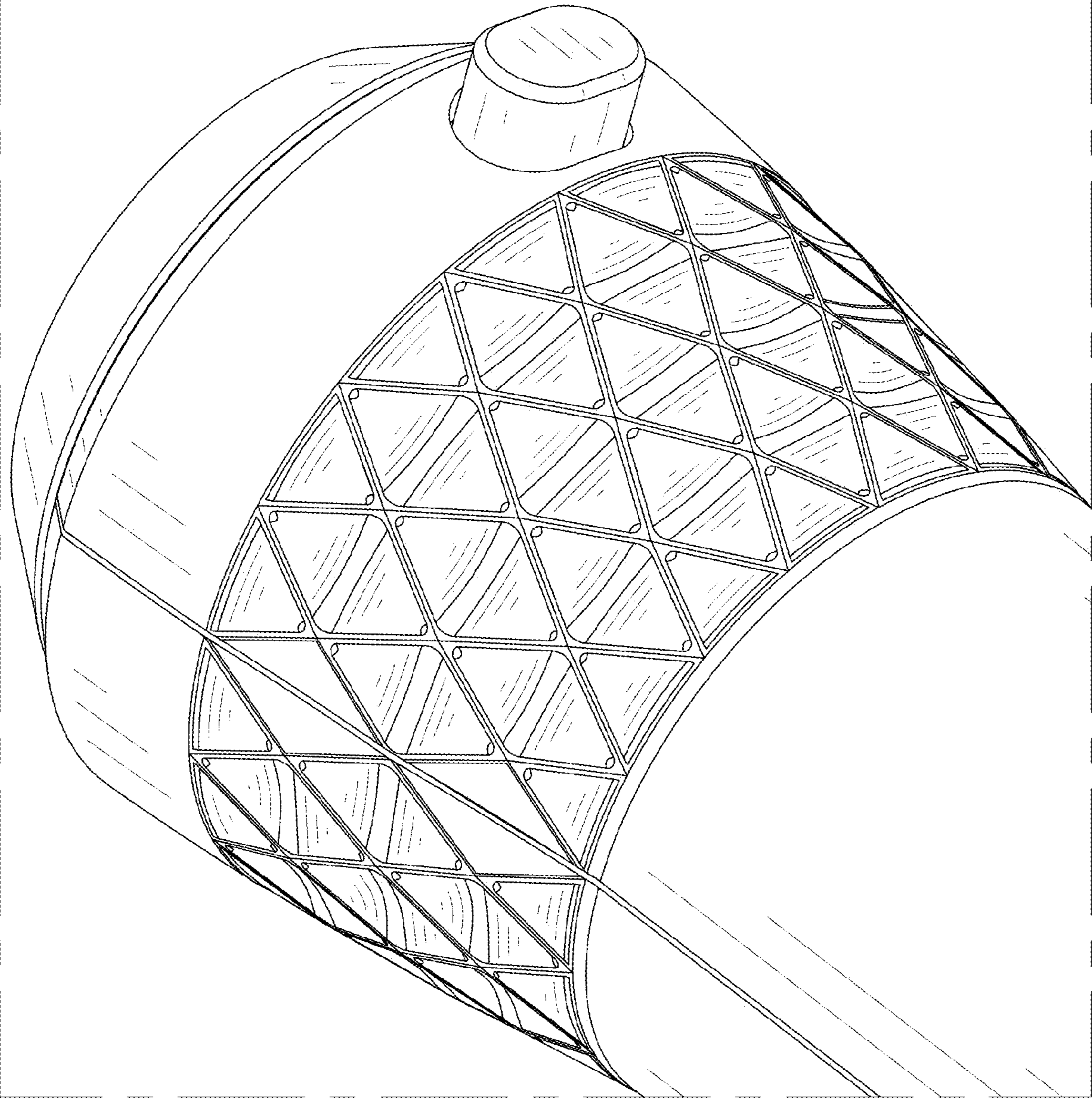


FIG. 9