



US00D912319S

(12) **United States Design Patent**  
**Huang**

(10) **Patent No.:** **US D912,319 S**  
(45) **Date of Patent:** **\*\* Mar. 2, 2021**

(54) **HAIR STRAIGHTENER**

(71) Applicant: **Hali Huang**, Hubei (CN)

(72) Inventor: **Hali Huang**, Hubei (CN)

(73) Assignee: **Dongguan Empress Technology Co., Ltd.**

(\*\*) Term: **15 Years**

(21) Appl. No.: **29/710,070**

(22) Filed: **Oct. 20, 2019**

(30) **Foreign Application Priority Data**

Sep. 17, 2019 (CN) ..... 201930510432.0

(51) **LOC (13) Cl.** ..... **28-03**

(52) **U.S. Cl.**  
USPC ..... **D28/35**

(58) **Field of Classification Search**  
USPC ..... D28/10, 35, 37, 38  
CPC ..... A45D 2/00; A45D 2001/045; A45D 1/16;  
A45D 1/04; A45D 1/18; A45D 1/06-14;  
A45D 2/02-10; A45D 2/38-42; A45D  
2/001-002

See application file for complete search history.

(56) **References Cited**

**U.S. PATENT DOCUMENTS**

- 6,653,599 B2 \* 11/2003 Nam ..... A45D 1/04  
132/224
- D581,592 S \* 11/2008 Hein ..... D28/35
- D596,794 S \* 7/2009 Keong ..... D28/35
- 7,730,895 B2 \* 6/2010 Maddocks ..... A45D 1/06  
132/224
- D627,925 S \* 11/2010 Nenadich ..... D28/35

- D650,941 S \* 12/2011 Sidebotham ..... D28/35
- D665,947 S \* 8/2012 Bachmann ..... D28/35
- D672,089 S \* 12/2012 Julemont ..... D28/35
- D816,902 S \* 5/2018 Delassus ..... D28/35
- D837,448 S \* 1/2019 Maochang ..... D28/35
- D853,643 S \* 7/2019 Kim ..... D28/35
- D867,659 S \* 11/2019 Zhou ..... D28/35

**FOREIGN PATENT DOCUMENTS**

CN 304364662 \* 7/2017

**OTHER PUBLICATIONS**

New Styling Hair Straightener Straightener Ceramic [online], [site visited Oct. 21, 2020]. Available from internet, URL:<[https://www.alibaba.com/product-detail/New-Styling-Hair-Straightener-Straightener-Ceramic\\_62009195172.html?spm=a2700.icbuShop.41413.11.7669385dyQDjvq](https://www.alibaba.com/product-detail/New-Styling-Hair-Straightener-Straightener-Ceramic_62009195172.html?spm=a2700.icbuShop.41413.11.7669385dyQDjvq)> (Year: 2020).\*

\* cited by examiner

*Primary Examiner* — Cynthia Ramirez  
*Assistant Examiner* — Xavier Marti-Santos

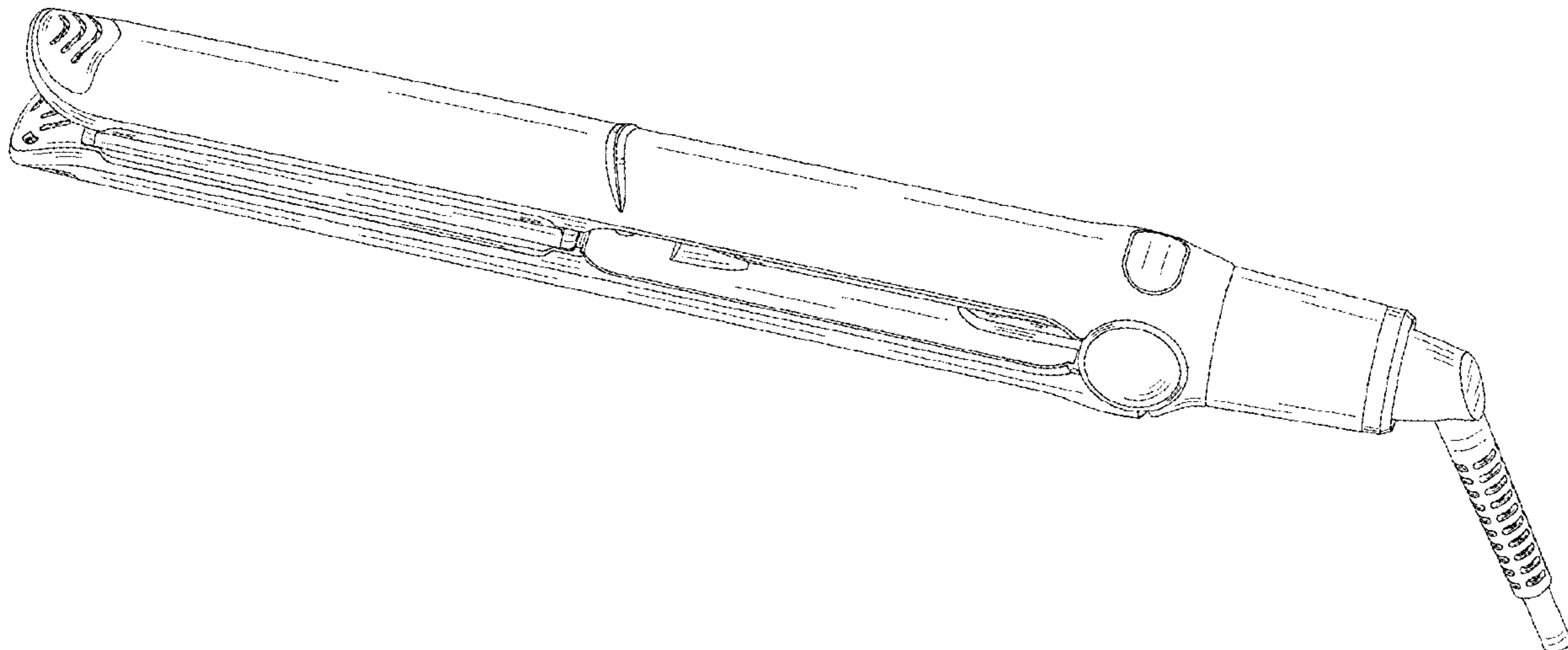
(57) **CLAIM**

The ornamental design for a hair straightener, as shown and described.

**DESCRIPTION**

FIG. 1 is a front view of the hair straightener showing my new design;  
FIG. 2 is a back view thereof;  
FIG. 3 is an enlarged left side view thereof;  
FIG. 4 is an enlarged right side view thereof;  
FIG. 5 is a top view thereof;  
FIG. 6 is a bottom view thereof; and,  
FIG. 7 is a perspective view thereof.

**1 Claim, 7 Drawing Sheets**



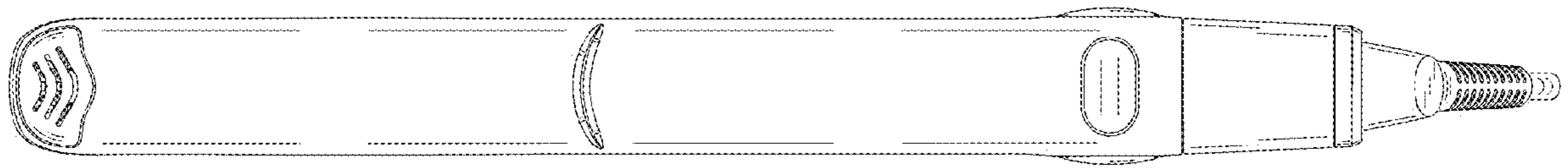


FIG. 1

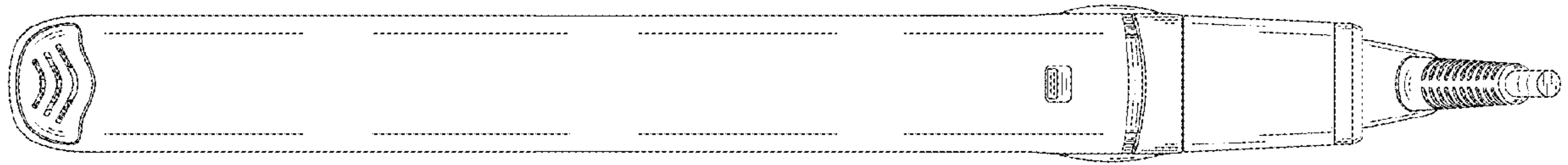


FIG. 2

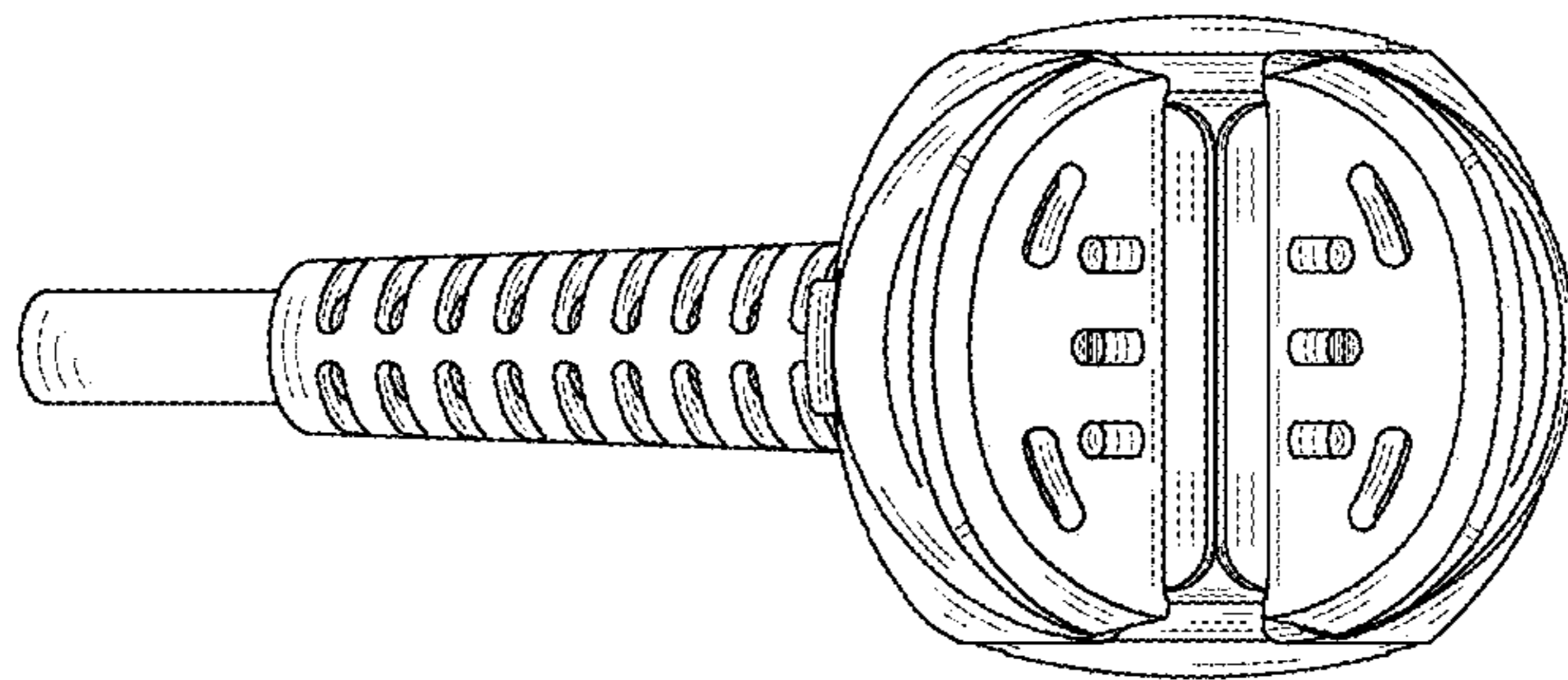


FIG. 3

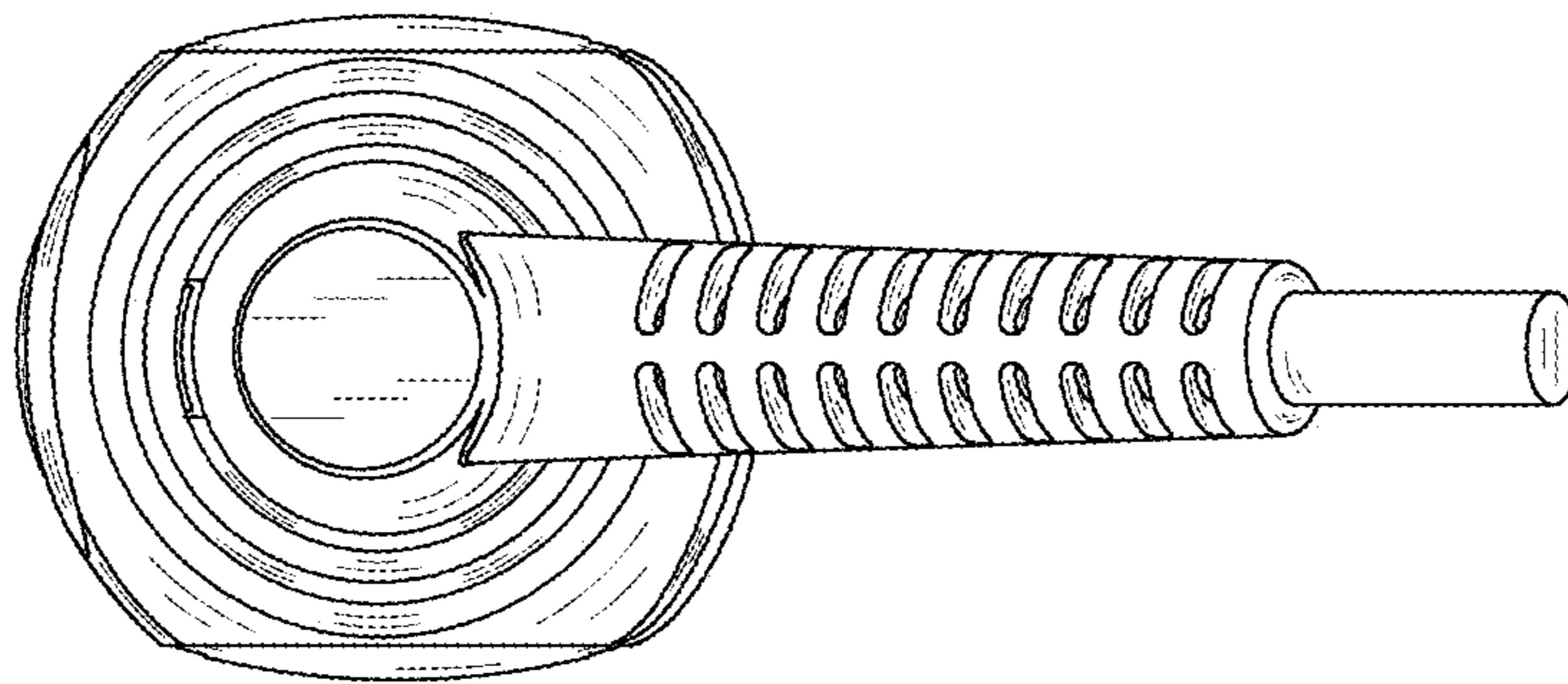


FIG. 4

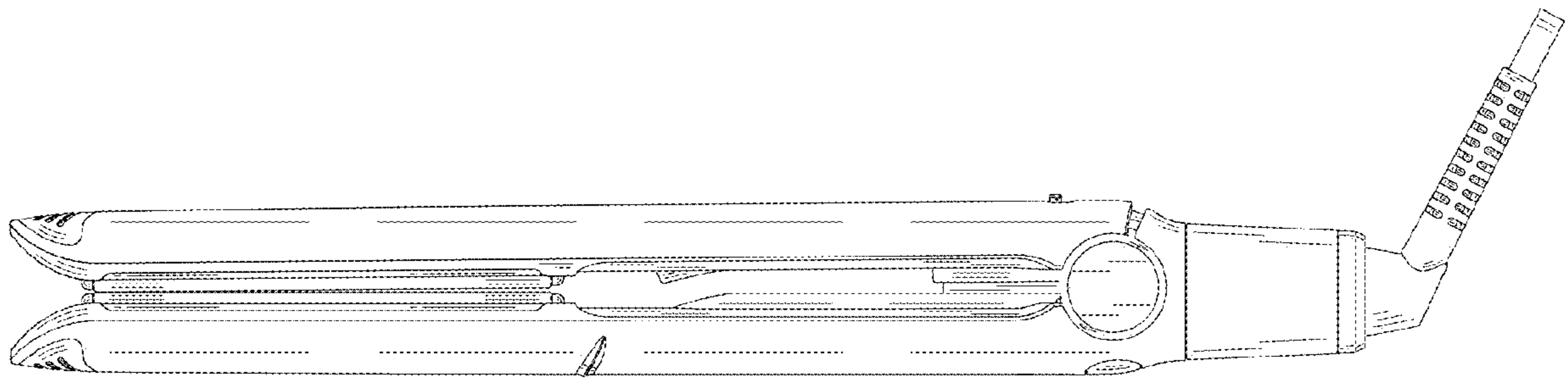


FIG. 5

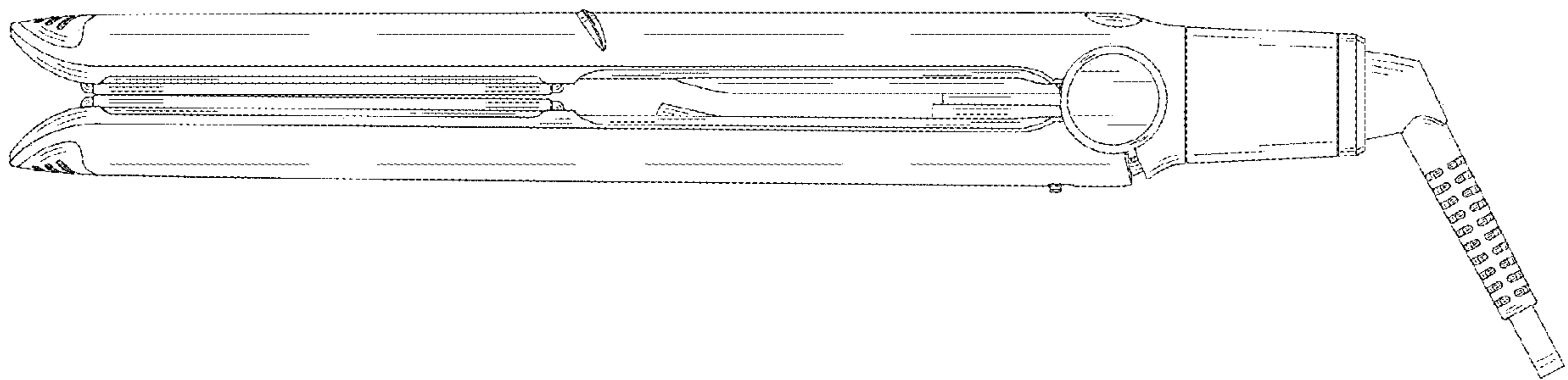


FIG. 6

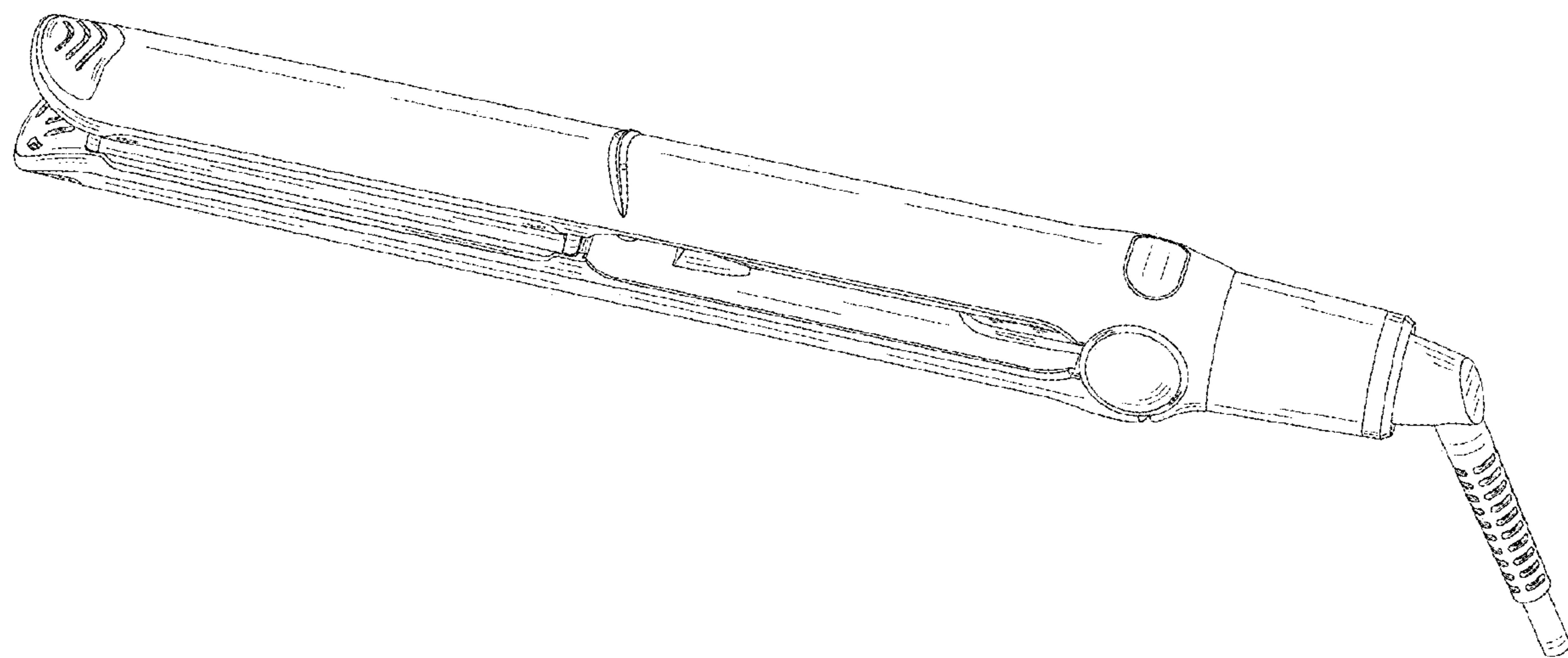


FIG. 7