



US00D912310S

(12) **United States Design Patent** (10) **Patent No.:** **US D912,310 S**
Shah (45) **Date of Patent:** **** Mar. 2, 2021**

(54) **ELECTRONIC CIGARETTE**
(71) Applicant: **QRS Group Limited**, Kln (HK)
(72) Inventor: **Qasim Raza Shah**, Kln (HK)
(**) Term: **15 Years**
(21) Appl. No.: **29/709,883**
(22) Filed: **Oct. 18, 2019**
(51) **LOC (13) Cl.** **27-02**
(52) **U.S. Cl.**
USPC **D27/162**
(58) **Field of Classification Search**
USPC D27/100, 101, 162, 163, 164, 165, 166,
D27/167, 168, 169, 183, 184, 185;
D24/110
CPC A24F 47/008; A24F 40/10; A24F 40/42;
A24F 40/51; A24F 47/00; A24F 40/40;
A24F 40/46; A24F 40/50; A24F 40/60;
A24F 40/53; A24F 40/90; A24F 40/20;
A24F 40/485; A24F 40/57; A24F 40/65;
A24F 40/44; A24F 47/002; A24F 40/48;
A24F 40/70; A24F 13/00; A24F 40/30;
A24F 40/95; A24F 42/60; A24F 7/00;
A24F 40/465; A24F 42/10; A24F 42/20;
A24F 1/00; A24F 1/32; A24F 40/00;
A24F 40/05; A24F 42/00; A24F 47/004;
A24F 47/006; A24F 7/02; A61M 11/042;
A61M 15/06; A61M 2205/8206; A61M
11/005; A61M 2202/064; A61M
2205/3653; A61M 2205/50; A61M
15/0001; A61M 15/003; A61M 15/009;
A61M 16/0003; A61M 2016/0027; A61M
11/044; A61M 15/0021; A61M 15/0041;
A61M 15/0065; A61M 15/0085; A61M
2016/0024; A61M 2202/0007; A61M
2205/3334; A61M 2205/584; A61M
2205/587; A61M 2205/8256; A61M
2206/16; A61M 11/003; A61M 11/047;
A61M 11/06; A61M 15/0003; A61M
15/0028; A61M 15/0035; A61M 15/004;

A61M 2016/0015; A61M 2016/003;
A61M 2021/0016; A61M 2037/0023;
A61M 2037/0061; A61M 21/00; A61M
21/02; A61M 2205/0211; A61M
2205/273; A61M 2205/3317; A61M
2205/3331; A61M 2205/3368; A61M
2205/3379; A61M 2205/3561; A61M
(Continued)

(56) **References Cited**

U.S. PATENT DOCUMENTS

D54,979 S * 4/1920 Blackmarr D27/184
D759,302 S * 6/2016 Gadas D27/163
(Continued)

FOREIGN PATENT DOCUMENTS

EM 007021787-0001 * 10/2019

Primary Examiner — Marissa J Cash

Assistant Examiner — William B Melliar

(74) *Attorney, Agent, or Firm* — Prakash Nama; Global
IP Services, PLLC

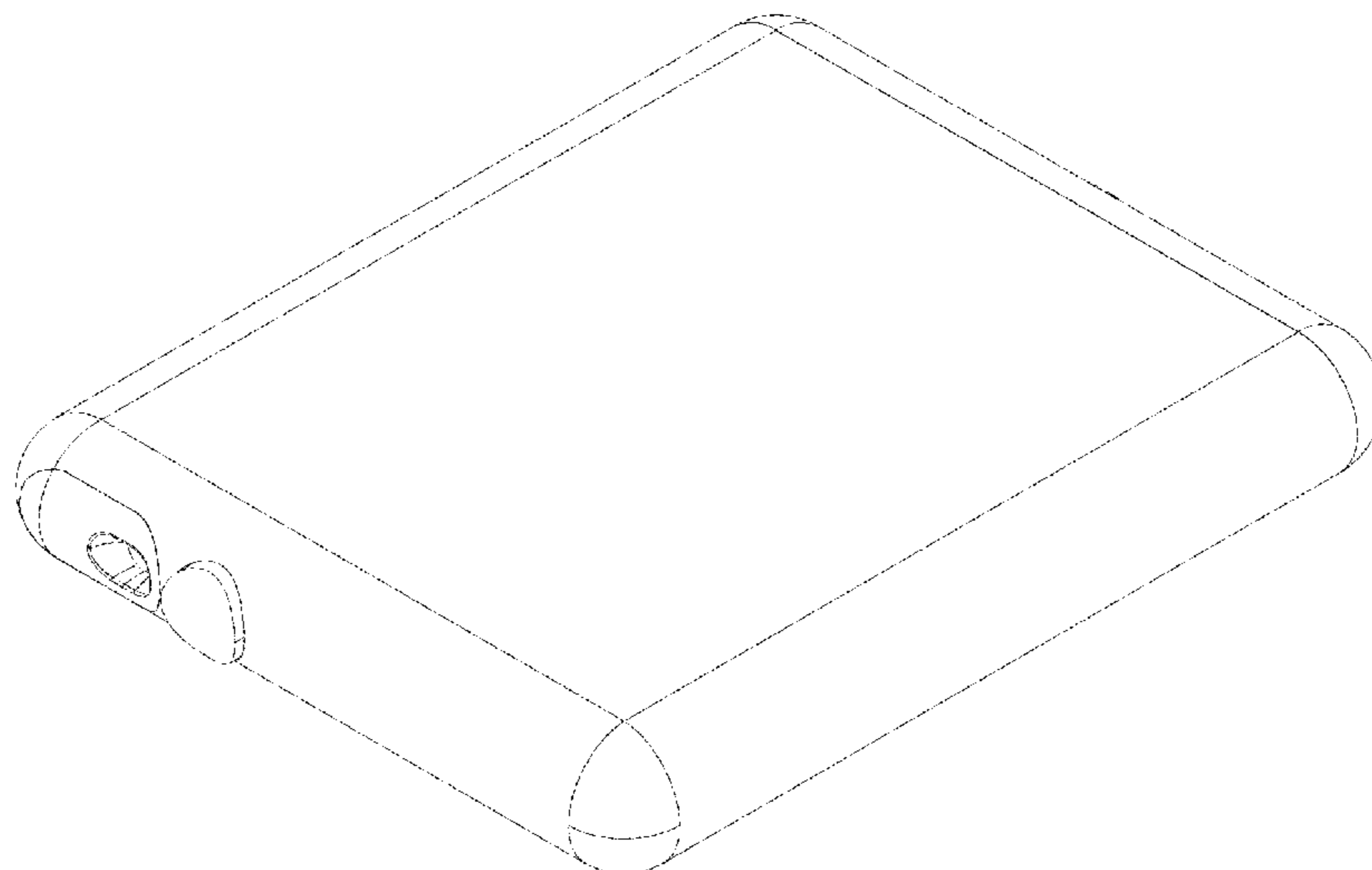
(57) **CLAIM**

The ornamental design for an electronic cigarette, as shown
and described.

DESCRIPTION

FIG. 1 is a front elevational view of an electronic cigarette
showing my new design;
FIG. 2 is a rear elevational view thereof;
FIG. 3 is a left side view thereof;
FIG. 4 is a right side view thereof;
FIG. 5 is a top plan view thereof;
FIG. 6 is a bottom plan view thereof;
FIG. 7 is a perspective view thereof; and,
FIG. 8 is another perspective view thereof.
The broken lines show unclaimed portions of the electronic
cigarette that form no part of the claimed design.

1 Claim, 8 Drawing Sheets



(58) **Field of Classification Search**

CPC .. 2205/502; A61M 2205/52; A61M 2205/581;
 A61M 2205/582; A61M 2205/75; A61M
 2205/8243; A61M 37/0015; A24B
 15/167; A24B 15/16; A24B 13/00; A24B
 15/00; A24B 15/10; A24B 15/14; A24B
 15/165; A24B 15/186; A24B 15/20; A24B
 15/243; A24B 15/245; A24B 15/283;
 A24B 15/284; A24B 15/286; A24B
 15/30; A24B 15/32; A24B 15/34; A24B
 15/403; A24D 1/20; A24D 1/002; A24D
 1/14; A24D 3/048; A24D 1/025; A24D
 1/045; A24D 3/04; A24D 3/061; A24D
 3/14; A24D 3/17

See application file for complete search history.

(56) **References Cited**

U.S. PATENT DOCUMENTS

D763,792	S	*	8/2016	Park	D13/108
D768,918	S	*	10/2016	Ward	D27/167
D770,680	S	*	11/2016	Bennett	D27/189
D771,309	S	*	11/2016	Ward	D27/167
D776,340	S	*	1/2017	Seibel	D27/189
D779,726	S	*	2/2017	Bennett	D27/189
D790,129	S	*	6/2017	Bennett	D27/189
D817,269	S	*	5/2018	Sukphist	D13/108
D832,504	S	*	10/2018	Qiu	D27/163
D833,672	S	*	11/2018	Qiu	D27/163
D853,022	S	*	7/2019	Srour	D27/183
D863,677	S	*	10/2019	Chung	D27/172
D884,961	S	*	5/2020	He	D27/101
D892,396	S	*	8/2020	Lai	D27/162
2012/0255546	A1	*	10/2012	Goetz	A61M 15/0016 128/202.21

* cited by examiner

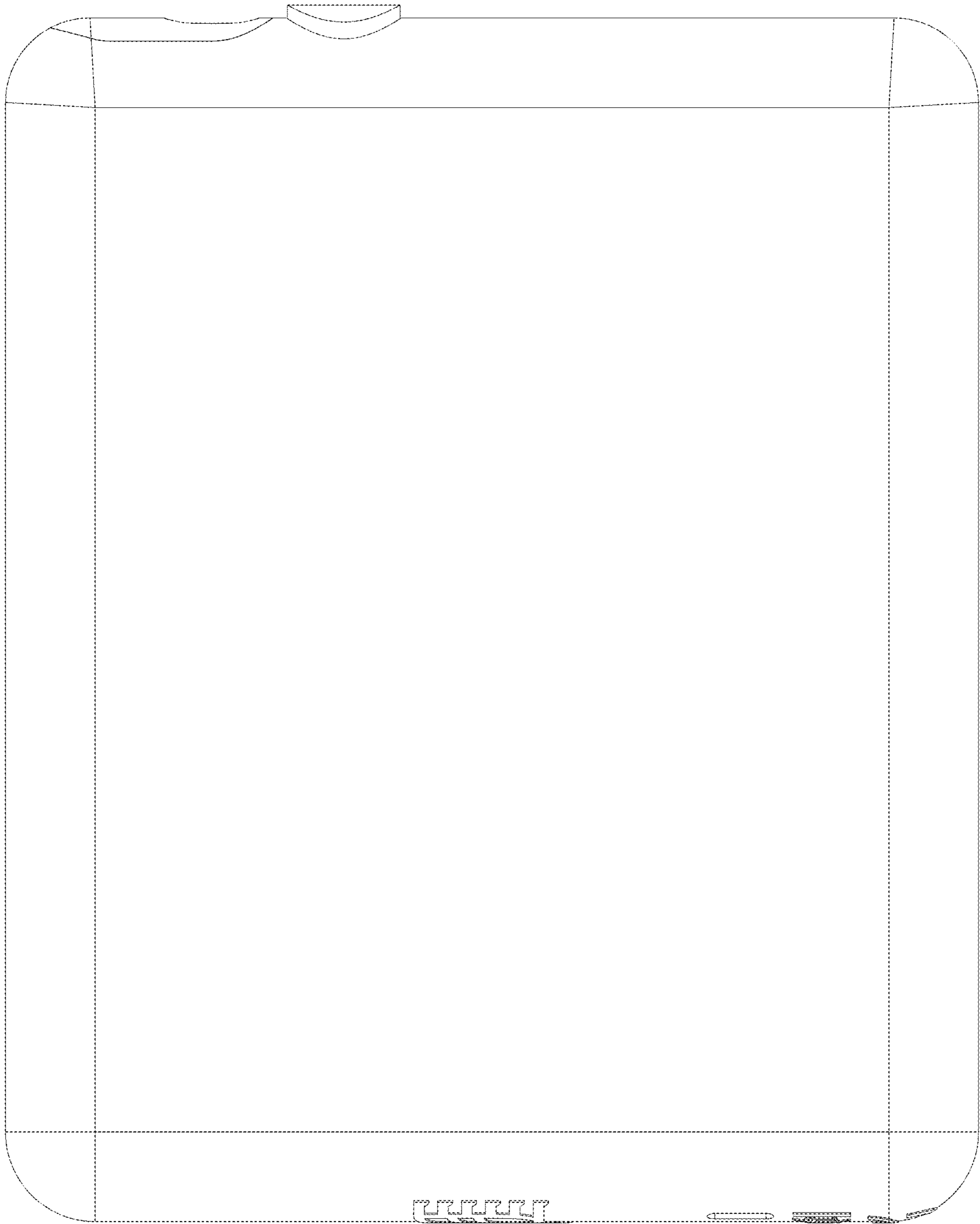


Fig. 1

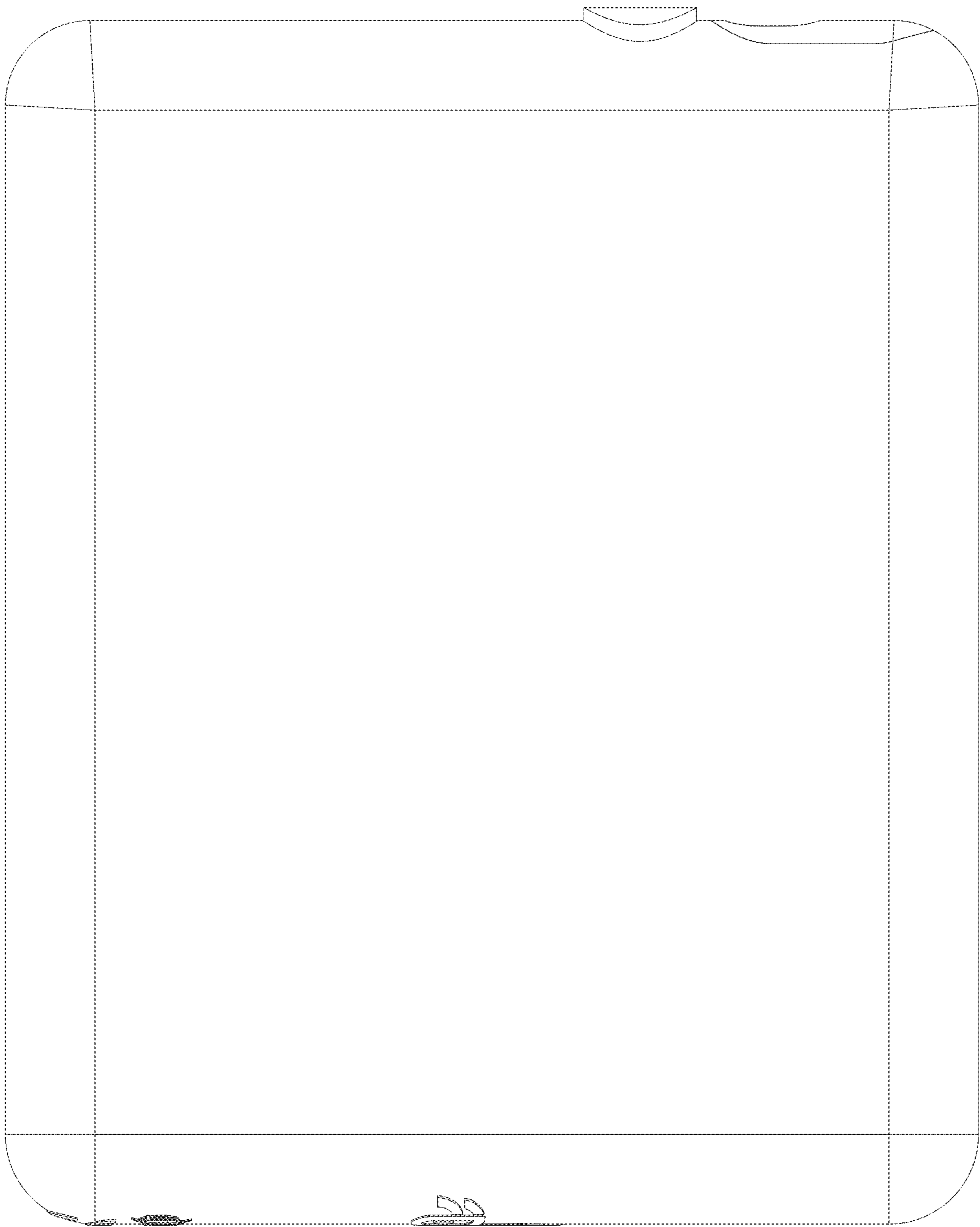


Fig. 2

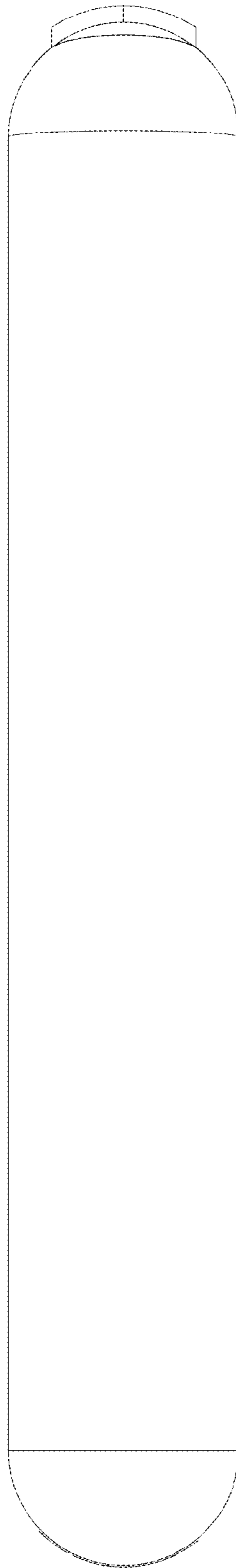


Fig. 3

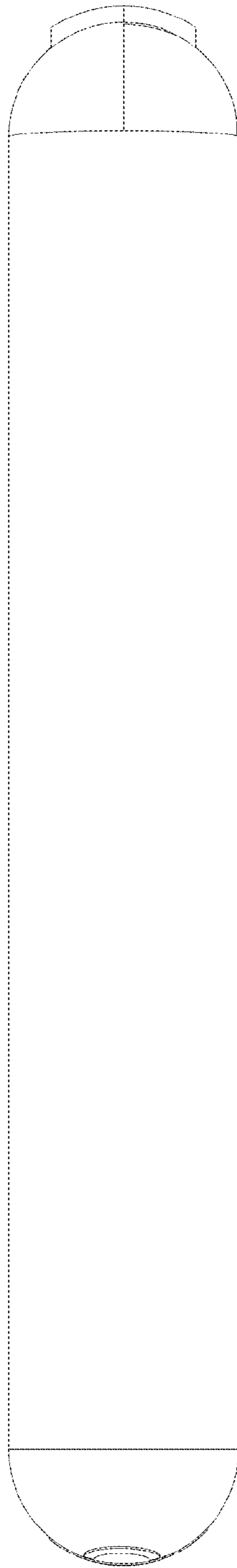


Fig. 4

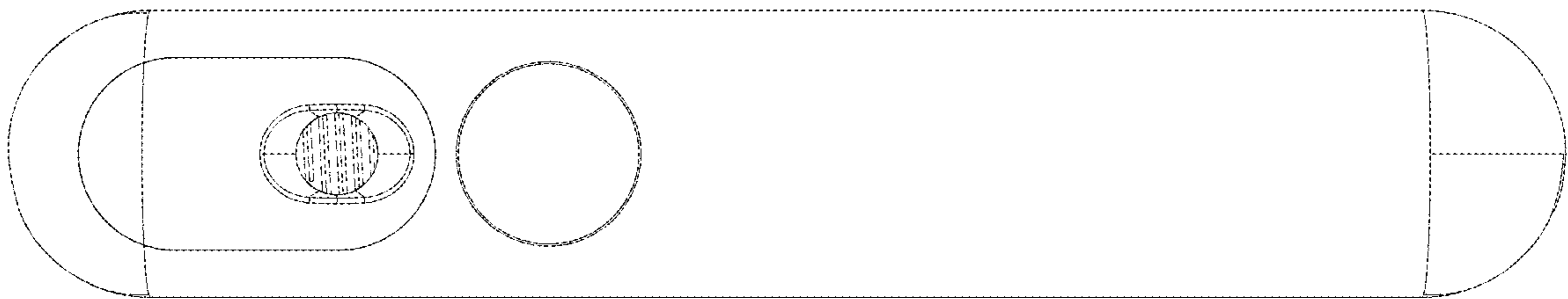


Fig. 5

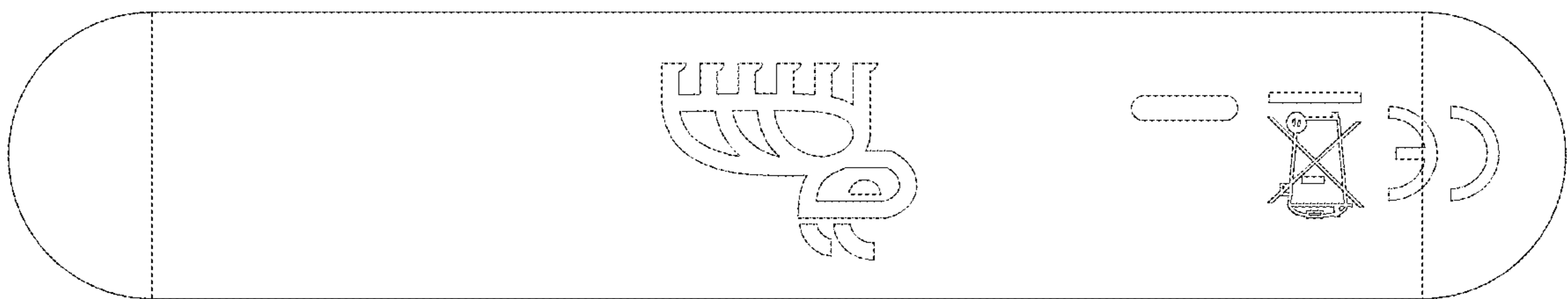


Fig. 6

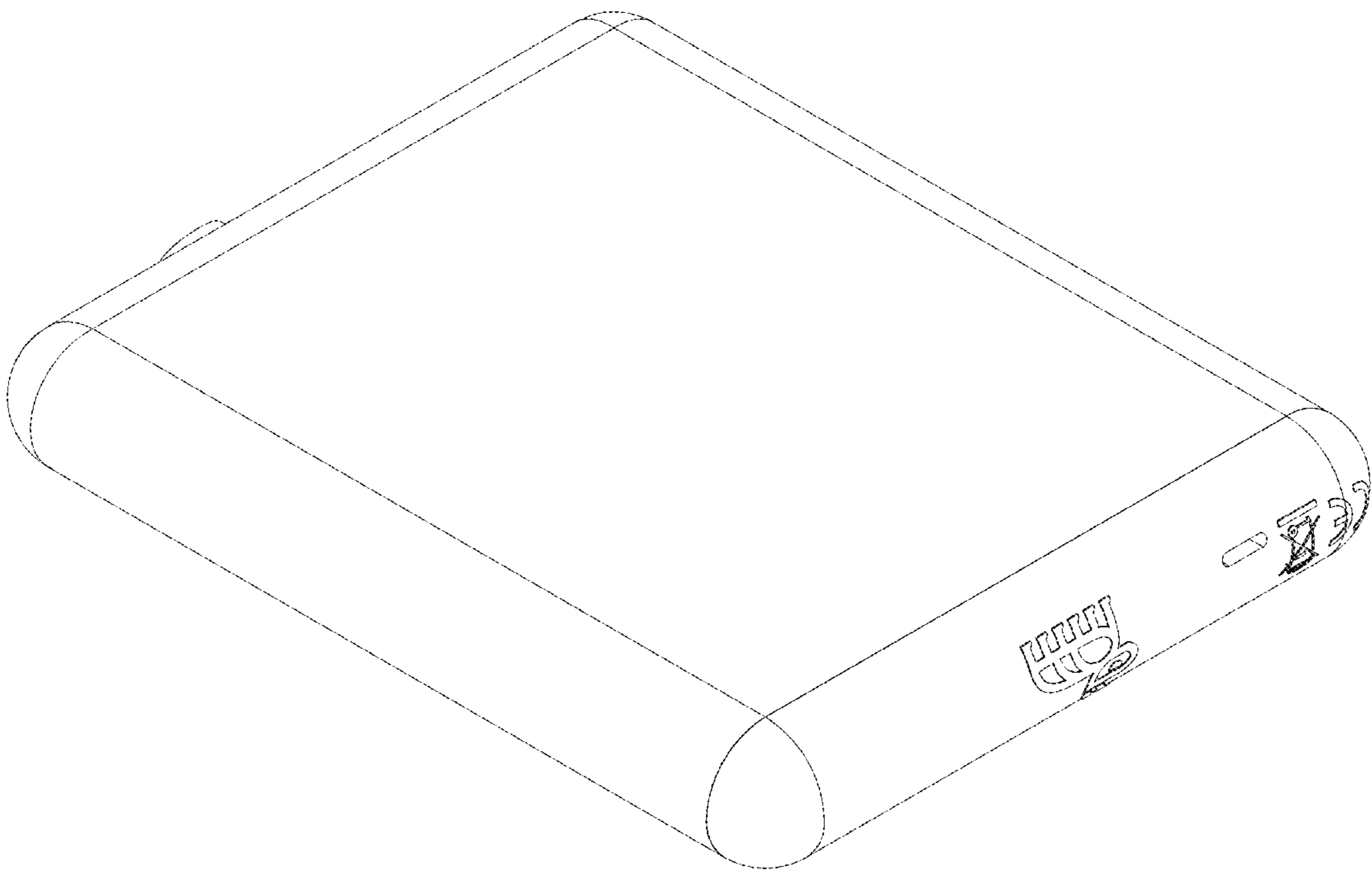


Fig. 7

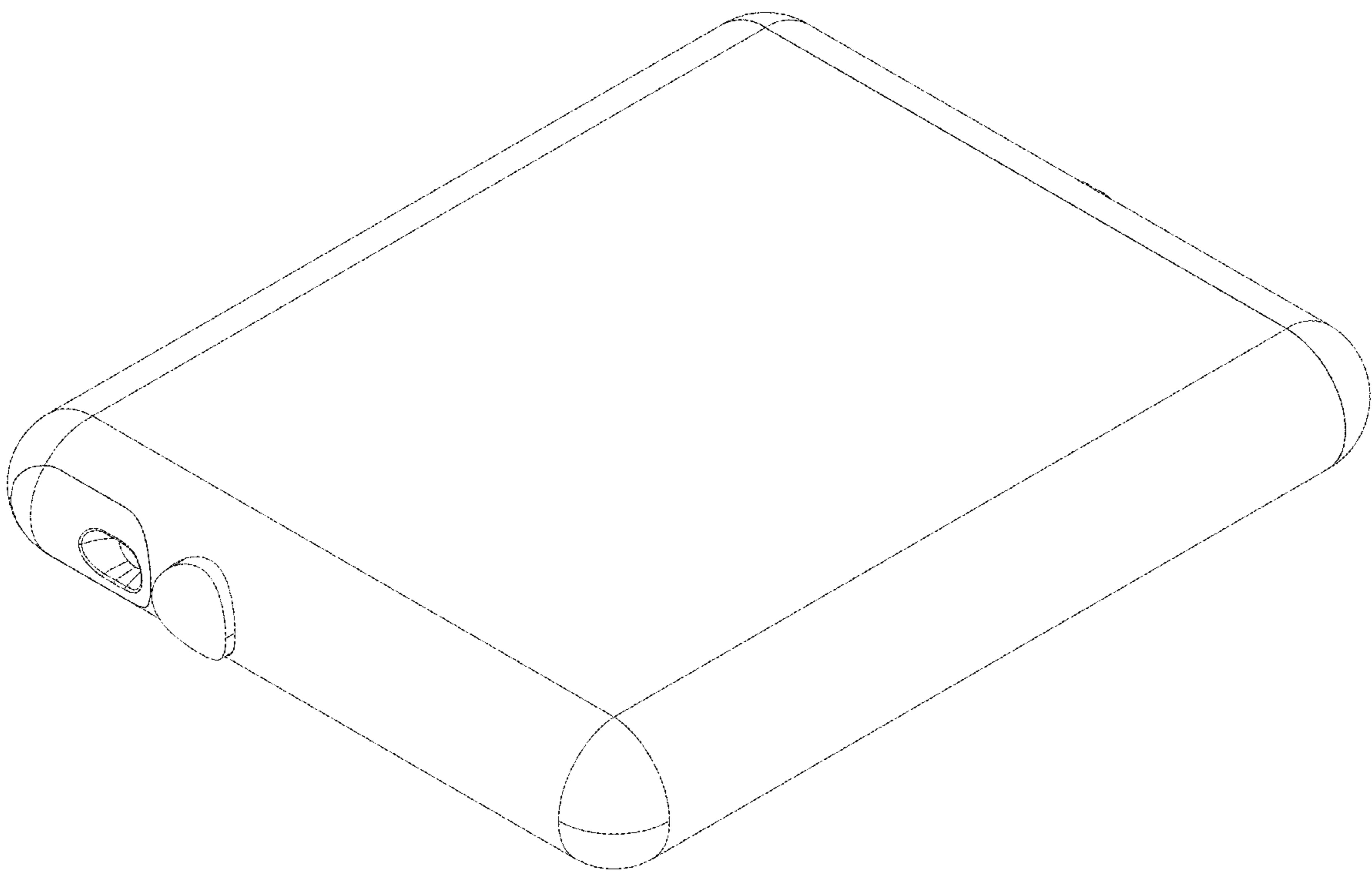


Fig. 8